



Kit Instructions

Sidecar Coupon Bin (Tabletop)



7372-K346

Issue A

Copyright and Trademark Information

The product described in this document is a licensed product of NCR Voyix Corporation.

NCR Voyix SCO Hardware is a trademark of NCR Voyix Corporation in the United States and/or other countries. Other product names mentioned in this publication may be trademarks or registered trademarks of their respective companies and are hereby acknowledged.

Where creation of derivative works, modifications or copies of this NCR Voyix copyrighted documentation is permitted under the terms and conditions of an agreement you have with NCR Voyix, NCR Voyix's copyright notice must be included.

Disclaimer:

It is the policy of NCR Voyix Corporation to improve products as technology, components, software and firmware become available. NCR Voyix therefore reserves the right to change specifications without prior notice.

All features, functions and operations described herein may not be marketed by NCR Voyix in all parts of the world. In some instances, photographs are of equipment prototypes.

Therefore, before using this document, consult with your NCR Voyix representative or NCR Voyix office for information that is applicable and current.

© 2025

By NCR Voyix Corporation

Atlanta, Georgia, USA

All Rights Reserved

Table of Contents

Sidecar Coupon Bin (Tabletop)	5
Kit Contents	5
Mounting Restrictions	7
System dimensions	11
Tower only without Base Plate	12
Tower only with Base Plate	14
Required Tool	16
Installation Procedure	17
Installing the Sidecar Coupon Bin (Right-hand (RH) orientation)	19
Routing the uNav and Coupon Sensor cables (Right-hand (RH) orientation)	22
Removing the Sidecar Coupon Bin (Right-hand (RH) orientation)	25
Installing the Sidecar Coupon Bin (Left-hand (LH) orientation)	26
Routing the uNav and Coupon Sensor cables (Left-hand (LH) orientation)	32
Removing the Sidecar Coupon Bin (Left-hand (LH) orientation)	36
Removing the Coupon Bin	38
Inserting the Coupon Bin	39
Removing the uNav device	40
Installing the uNav Blanking Plate	42
Removing the PIN Pad Base Mount	43
Removing the Handheld Scanner Arm	44
Installing the Handheld Scanner Arm	46
Removing the PIN Pad Arm	48
Installing the PIN Pad Arm	49
Opening the Tower Cabinet	50
Closing the Tower Cabinet	52

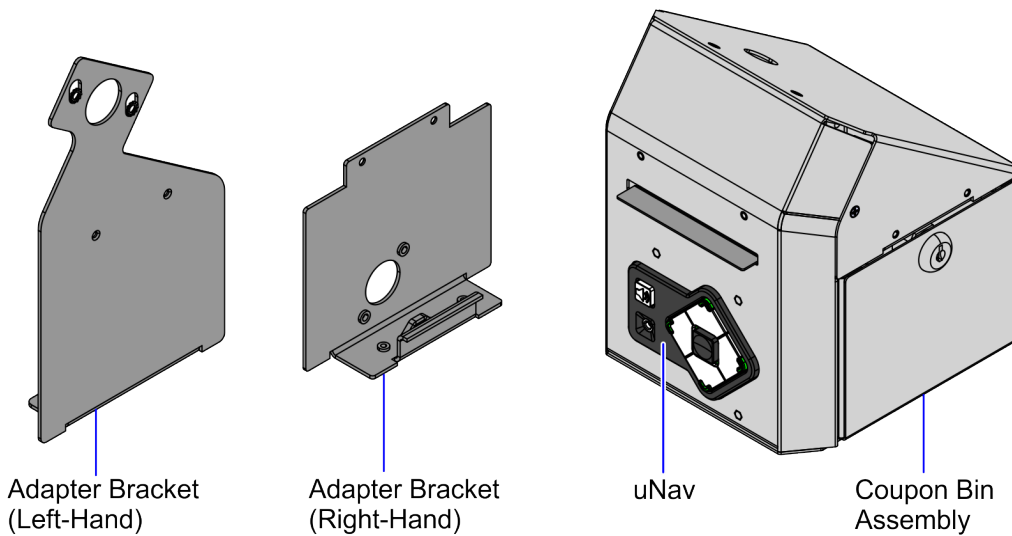
Revision Record

Publication issue	Date	Description of change
A	Mar 2025	First issue.

Sidecar Coupon Bin (Tabletop)

The Coupon Bin is the repository of coupons that consumers have scanned before continuing their transactions. This publication provides procedures for installing the 7372-K346 Sidecar Coupon Bin (Tabletop) to the 7372 NCR Voyix SCO Tabletop unit.

Kit Contents



CCP-85503

Note

By default, the uNav device, Coupon Sensor, and Coupon Bin are installed in the Coupon Bin assembly. The Coupon Bin is installed for Right-hand (RH) orientation.

Part Number	Description
497-0538278	7372-K346 Sidecar Coupon Bin (Tabletop)
497-0538482	Coupon Bin Front Panel
497-0538483	Coupon Bin Rear Enclosure
497-0538110	Coupon Bin
497-0538570	Coupon Bin Right Hand Adapter Bracket

Confidential and proprietary information of NCR Voyix.
Use and disclose solely pursuant to company instructions.

Part Number	Description
497-0538579	Coupon Bin Left Hand Adapter Bracket
* 497-0538113	Coupon Bin Lower Coupon Sensor Bracket
* 497-0538117	Coupon Bin Upper Coupon Sensor Bracket
* 006-8617798	Screw, M3 X 8mm, Machine, Phillips Drive, Flat Head, Black Finish (10 pcs)
* 006-8624383	Key Lock, 7/8" Length, Keyed Ek333
* 006-8624580	Nut-M3X0.5,5.5mm Wide X 1.8mm High, Zinc Plated Class 04 (2 pcs)
* 006-8628723	Screw M4 X 10 M/C Combi Pozi (2 pcs)
* 006-8628727	Serrated Nut - Self Locking (M4, 4.2) (6 pcs)
* 006-8628729	Tie Strap Plain 5.60Lg
* 497-0538328	Double Layer Braille Label
* 497-0504538	Bracket - Coupon Sensor (2 pcs)
* 497-0504539	Spacer - Coupon Sensor (2 pcs)
497-0519778	Unav Device
* 497-0525656	Cable - I/O Coupon Sensor 991mm
* 497-0534004	External Label Set, English Text
* 006-8628970	M6 Stainless Steel External Tooth Nut Washer (2 pcs)
* 497-0532494	Dt Std Unav Blank
* 006-8624631	Cable Assembly USB A To Mini B Right Angled, 1M
* 497-0534350	Hole Cover Label, 7372 Bagwell
* 006-8628760	ScrewsM3 X 12-Rohs (3 pcs)
* 006-8628739	Screw Hex M6 X 12 Mc Comb (2 pcs)

* Items marked with an asterisk are not called out on the image.

Mounting Restrictions

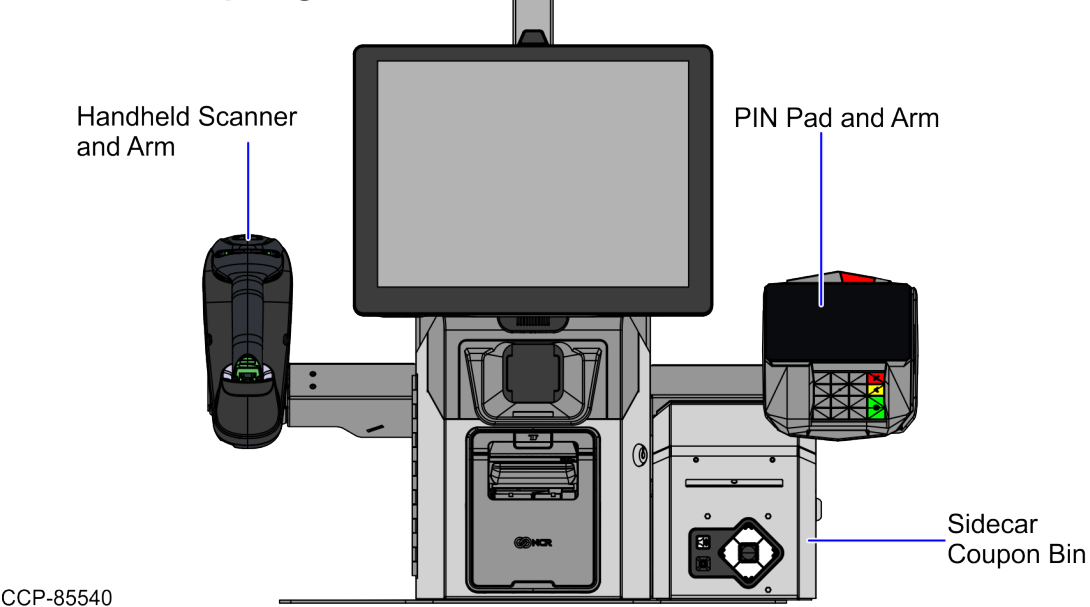
The table below shows the recommended installation location of the Sidecar Coupon Bin on the Tabletop unit.

Device/Component on the unit	Recommended Sidecar Coupon Bin Mounting Location
<p><u>Handheld Scanner and Arm (Right-hand Unit)</u></p> <div data-bbox="204 562 772 667" style="background-color: #e0f2e0; padding: 5px;"> <p>Note Preferred configuration for the Sidecar Coupon Bin.</p> </div>	<p>Opposite side of the Handheld Scanner and Arm</p>
<p><u>PIN Pad and Mount (Left-hand Unit)</u></p> <div data-bbox="204 770 772 920" style="background-color: #ffe0b2; padding: 5px;"> <p>Caution This configuration can limit the movement of the Tabletop Cabinet Door.</p> </div>	<p>Opposite side of the PIN Pad and Mount</p> <div data-bbox="810 770 1417 920" style="background-color: #e0f2e0; padding: 5px;"> <p>Note Sidecar Coupon Bin on the right side is not compatible with PIN Pad Mount.</p> </div>
<p><u>PIN Pad and Arm (Left-hand Unit)</u></p> <div data-bbox="204 1023 772 1173" style="background-color: #ffe0b2; padding: 5px;"> <p>Caution This configuration can limit the movement of the Tabletop Cabinet Door.</p> </div>	<p>Either side of the PIN Pad and Arm.</p> <div data-bbox="810 1023 1417 1173" style="background-color: #e0f2e0; padding: 5px;"> <p>Note Sidecar Coupon Bin can be on the same side with the PIN Pad and Arm.</p> </div>

Handheld Scanner and Arm (Right-hand Unit)

Note
Preferred configuration for the Sidecar Coupon Bin.

7372 Tabletop Right-Hand Unit

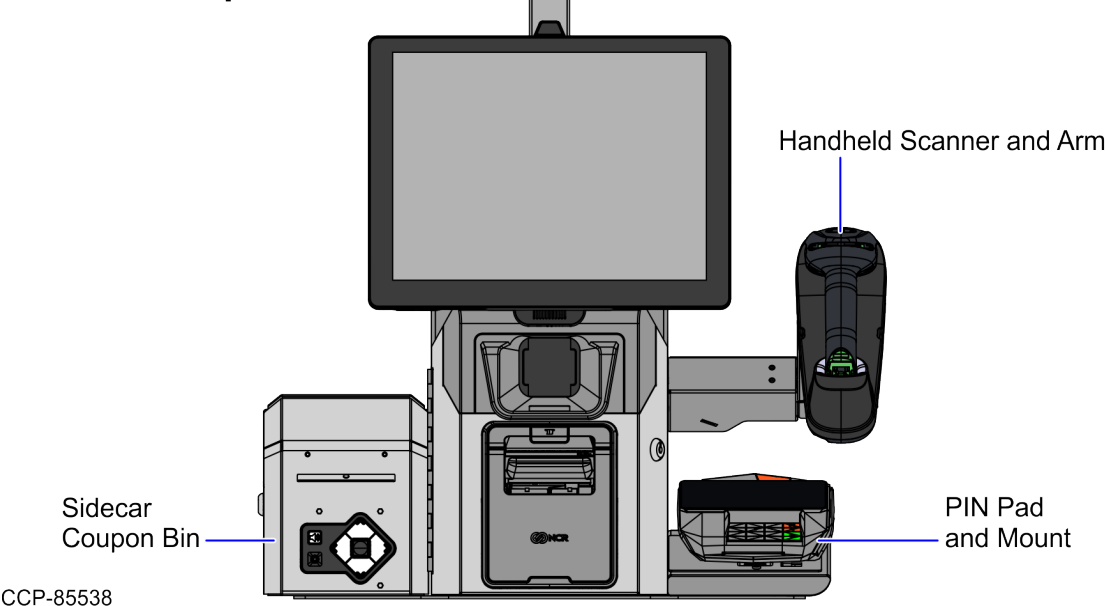


CCP-85540

PIN Pad and Mount (Left-hand Unit)

⚠ Caution
This configuration can limit the movement of the Tabletop Cabinet Door.

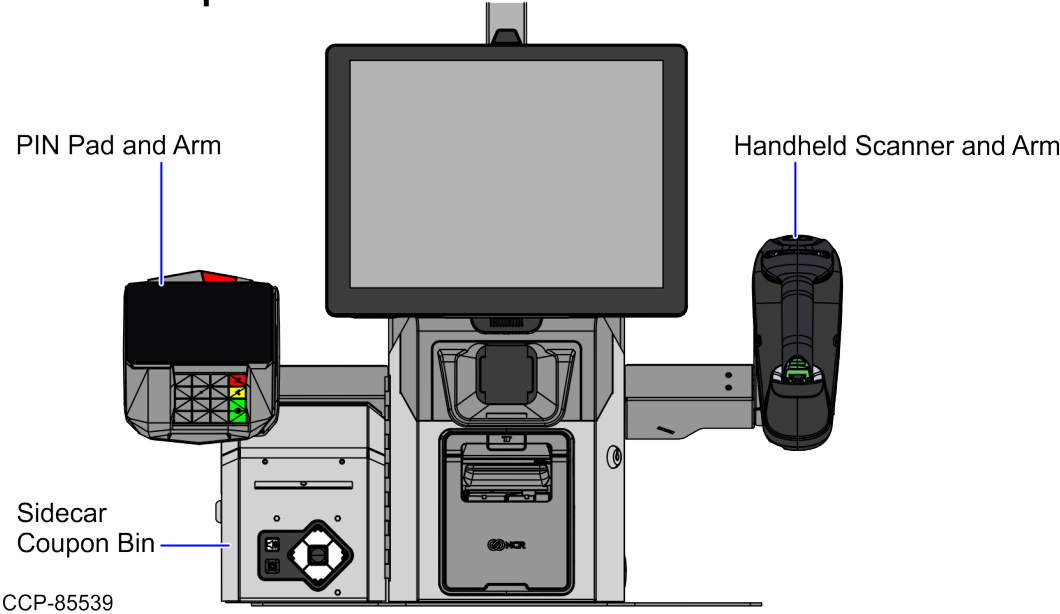
7372 Tabletop Left-Hand Unit



PIN Pad and Arm (Left-hand Unit)

⚠ Caution
This configuration can limit the movement of the Tabletop Cabinet Door.

7372 Tabletop Left-Hand Unit



System dimensions

The system dimension diagrams in this section show illustrations using the standard Tri-Light pole with the Tri-Light/Lane Light assembly:



Note

The system height when using a standard Tri-Light pole with the Interactive Status Light with IP Camera assembly is 1607.96 mm (63.31 in).



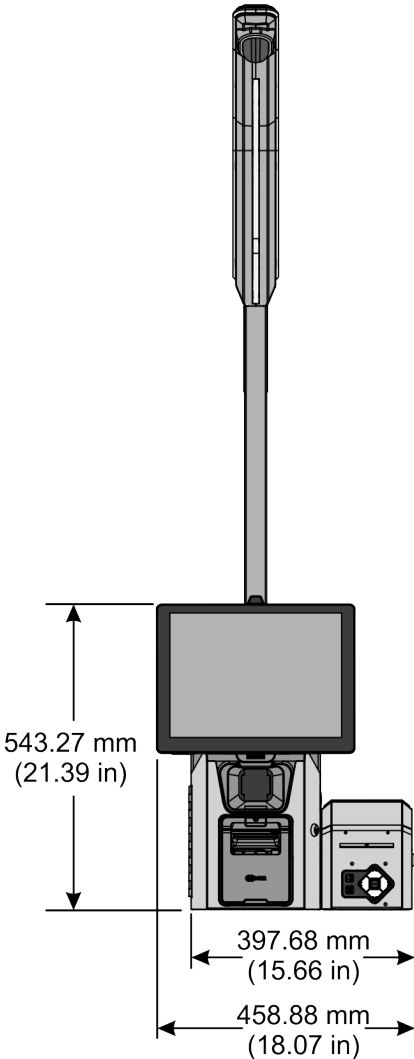
Note

Recommended table or counter height for the unit is 34 in to 36 inches.

- ["Tower only without Base Plate"](#) on the next page
- ["Tower only with Base Plate"](#) on page 14

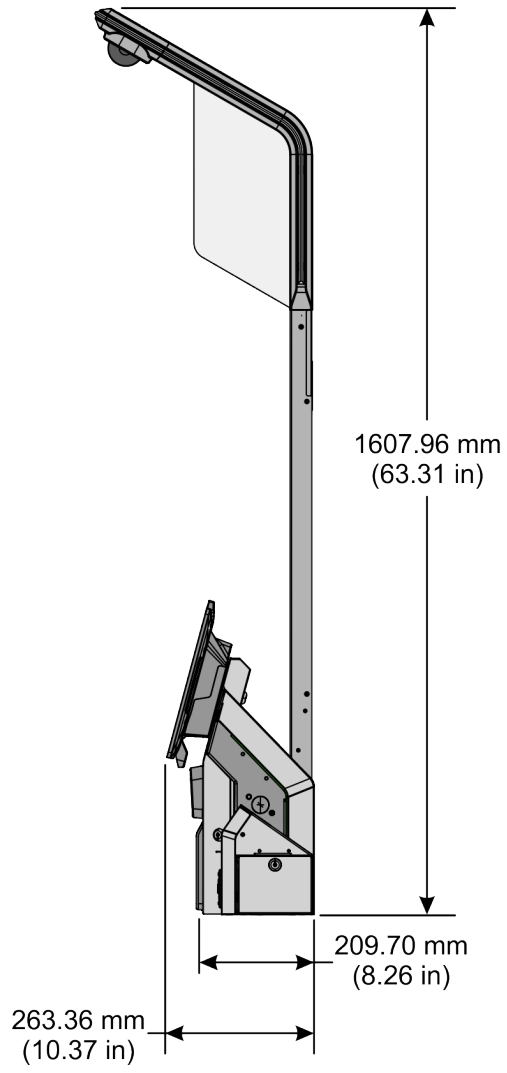
Tower only without Base Plate

Front View



CCP-85534

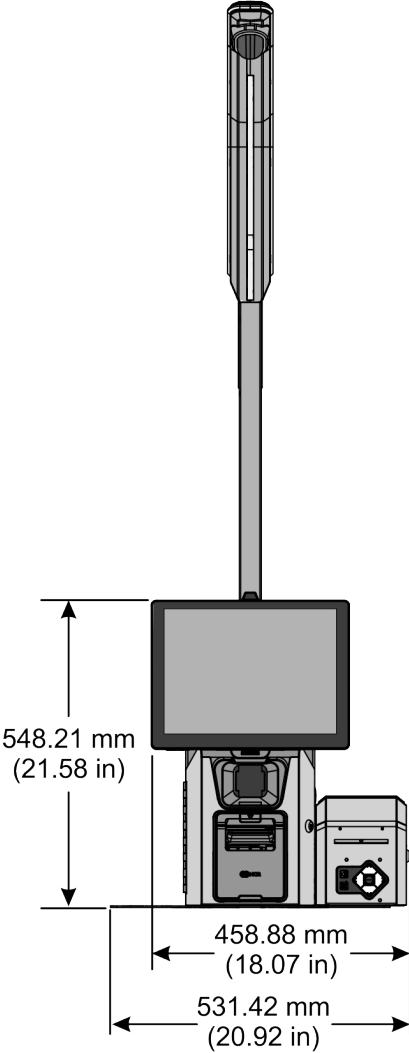
Side View



CCP-85535

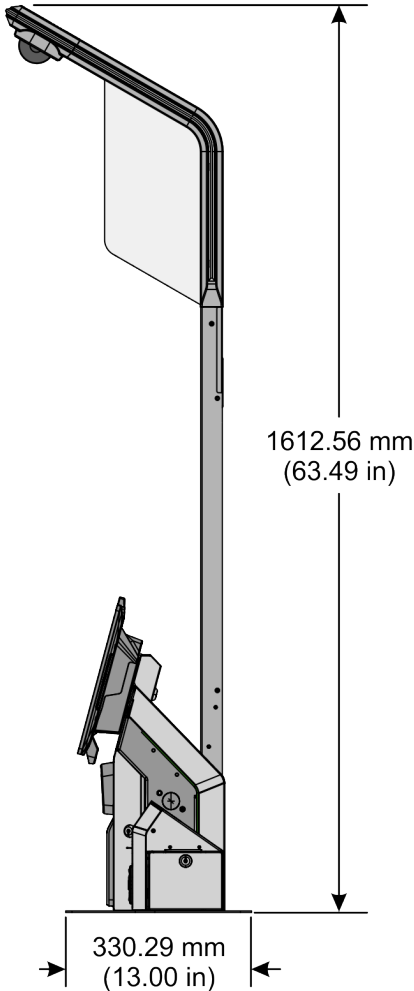
Tower only with Base Plate

Front View



CCP-85536

Side View



CCP-85537

Required Tool

- #2 Phillips Screwdriver

Installation Procedure

To install the 7372-K346 Sidecar Coupon Bin (Kiosk), follow these steps:

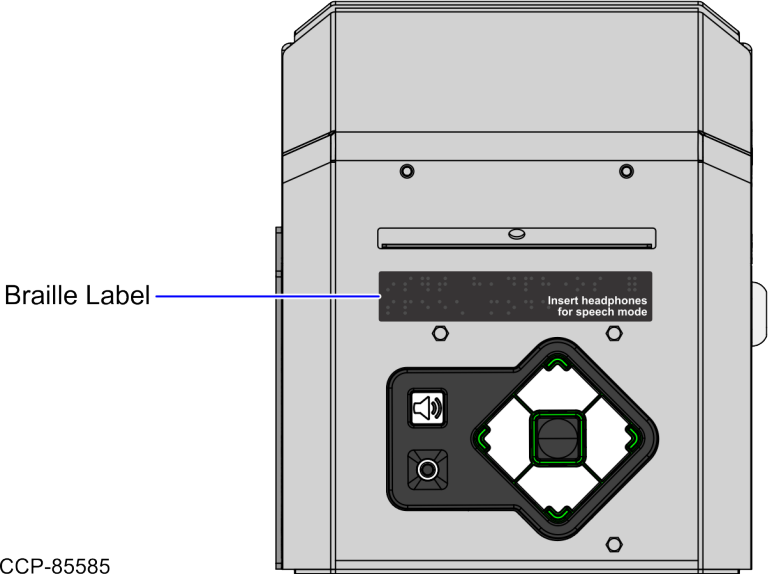
1. Turn off the Self-Checkout software and hardware systems.
2. Open the Tower Cabinet. For more information, refer to "[Opening the Tower Cabinet](#)" on page 50.
3. If preferred, install the uNav Blanking Plate to the Sidecar Coupon Bin. For more information, refer to "[Installing the uNav Blanking Plate](#)" on page 42.
4. Depending on the orientation of the Self-Checkout unit, refer to the following sections:
 - Right-hand (RH) orientation
 - a. "[Installing the Sidecar Coupon Bin \(Right-hand \(RH\) orientation\)](#)" on page 19
 - b. "[Routing the uNav and Coupon Sensor cables \(Right-hand \(RH\) orientation\)](#)" on page 22
 - Left-hand (LH) orientation
 - a. "[Installing the Sidecar Coupon Bin \(Left-hand \(LH\) orientation\)](#)" on page 26
 - b. "[Routing the uNav and Coupon Sensor cables \(Left-hand \(LH\) orientation\)](#)" on page 32

Note

The SCO Tabletop units with a Sidecar Coupon Bin can be configured for either Left-hand (LH) orientation or Right-hand (RH) orientation.

- **Left-hand (LH) orientation** - install the Sidecar Coupon Bin to the left side when facing the unit.
- **Right-hand (RH) orientation** - install the Sidecar Coupon Bin to the right side when facing the unit.

5. Attach the Braille Label above the uNAV device and below the Coupon Slot, as shown in the image below.



CCP-85585

Installing the Sidecar Coupon Bin (Right-hand (RH) orientation)

To install the Sidecar Coupon Bin on a Right-hand (RH) orientation unit, follow these steps:

Note

For mounting restrictions of the Sidecar Coupon Bin, refer to [Mounting Restrictions](#).

1. If necessary, remove the Handheld Scanner.
2. If the Handheld Scanner Arm is installed on the right side of the unit, do the following:
 - a. Remove the Handheld Scanner Arm. For more information, refer to "[Removing the Handheld Scanner Arm](#)" on page 44.

Note

Set aside the screws for reinstallation.

- b. If present, remove the PIN Pad Arm from the left side of the unit. For more information, refer to "[Removing the PIN Pad Arm](#)" on page 48.

Note

For more information on removing the PIN Pad devices, refer to the corresponding PIN Pad Kit Instructions in the [7372 Kit Repository](#).

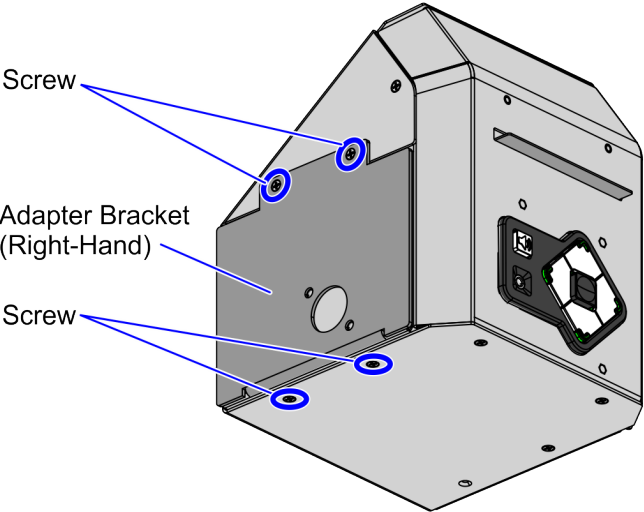
- c. If present, remove the PIN Pad Base Mount. For more information, refer to "[Removing the PIN Pad Base Mount](#)" on page 43.

Note

Replace the PIN Pad Base Mount with a PIN Pad Arm on the Tower Cabinet.

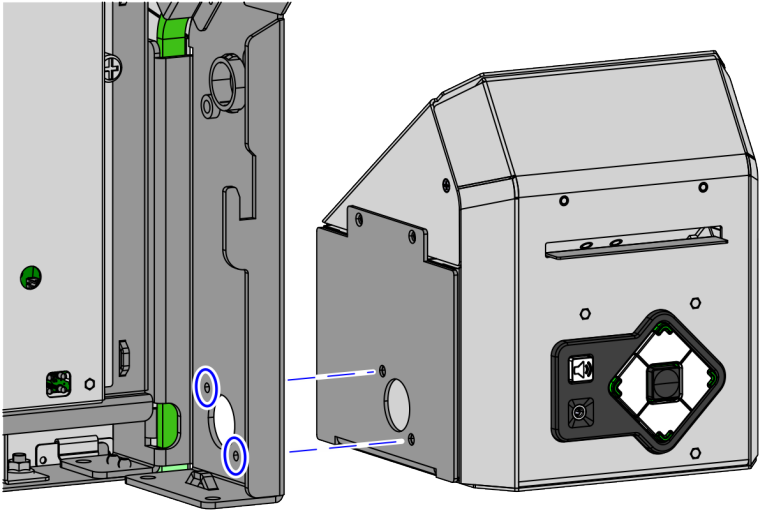
- d. Install the Handheld Scanner Arm on the left side of the unit.
 - e. Install the PIN Pad Arm on the opposite side of the Handheld Scanner Arm. For more information, refer to "[Installing the PIN Pad Arm](#)" on page 49.

3. Attach the Adapter Bracket (Right-Hand) to the Sidecar Coupon Bin assembly, using four (4) screws, as shown in the image below.



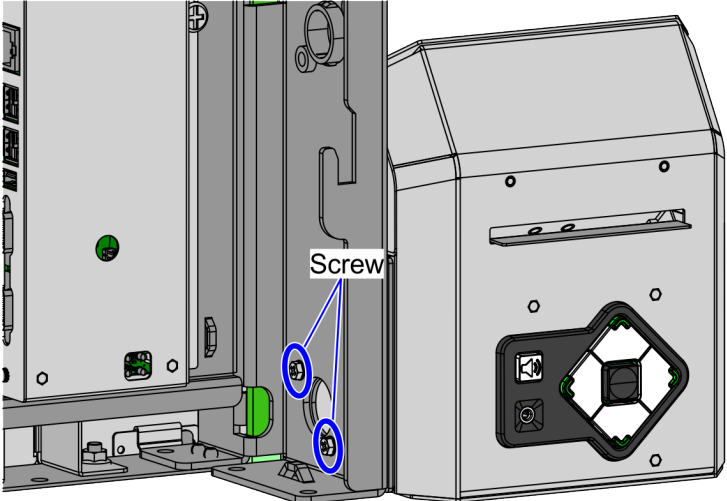
CCP-85574

- 4. Align the screw holes on the Adapter Bracket (Right-Hand) with the corresponding screw holes on the side of the Tower Cabinet.



CCP-85575

- 5. From inside the Tower Cabinet, secure the Sidecar Coupon Bin using two (2) screws as shown in the image below.



CCP-85576

Routing the uNav and Coupon Sensor cables (Right-hand (RH) orientation)

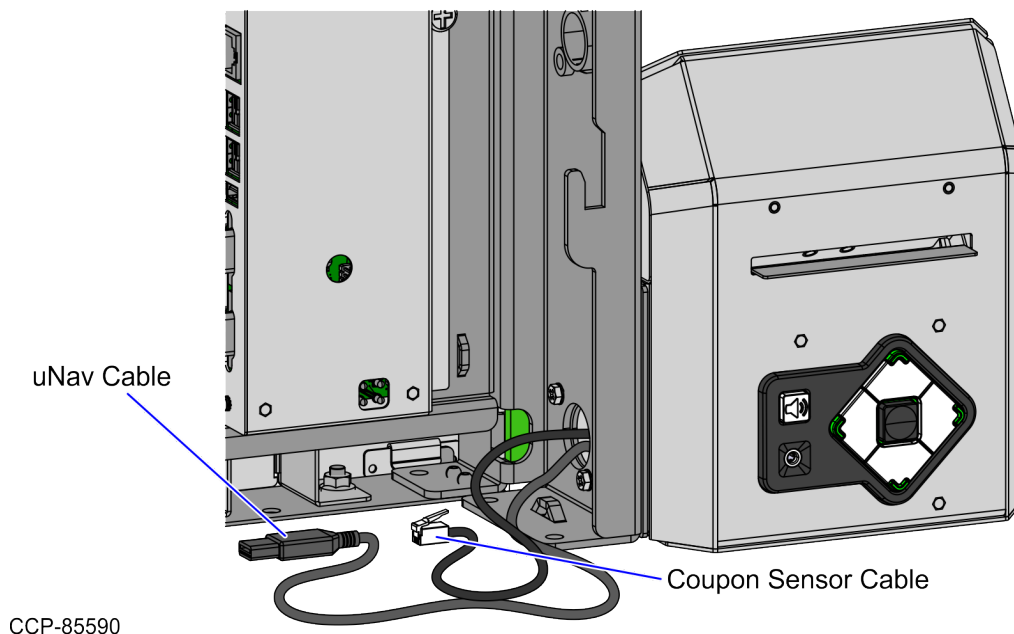
To route the uNav cable in a Right-hand (RH) orientation unit, follow these steps:

1. Install the Sidecar Coupon Bin. For more information, refer to "[Installing the Sidecar Coupon Bin \(Right-hand \(RH\) orientation\)](#)" on page 19.
2. Pass the uNav and Coupon Sensor cables through the access hole into the Tower Cabinet.



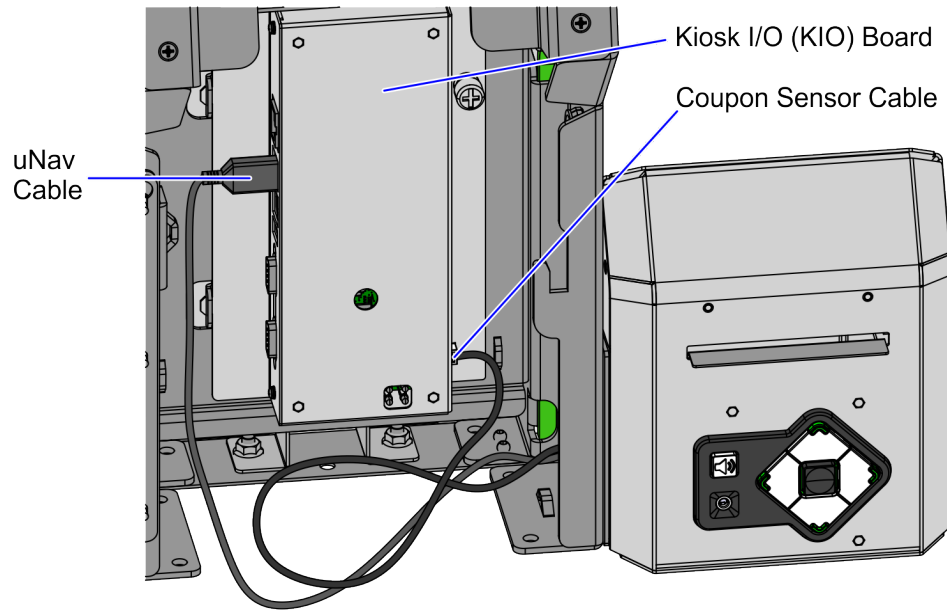
Note

Ensure that there is enough cable slack to avoid cables from being stretched when servicing the uNav assembly.



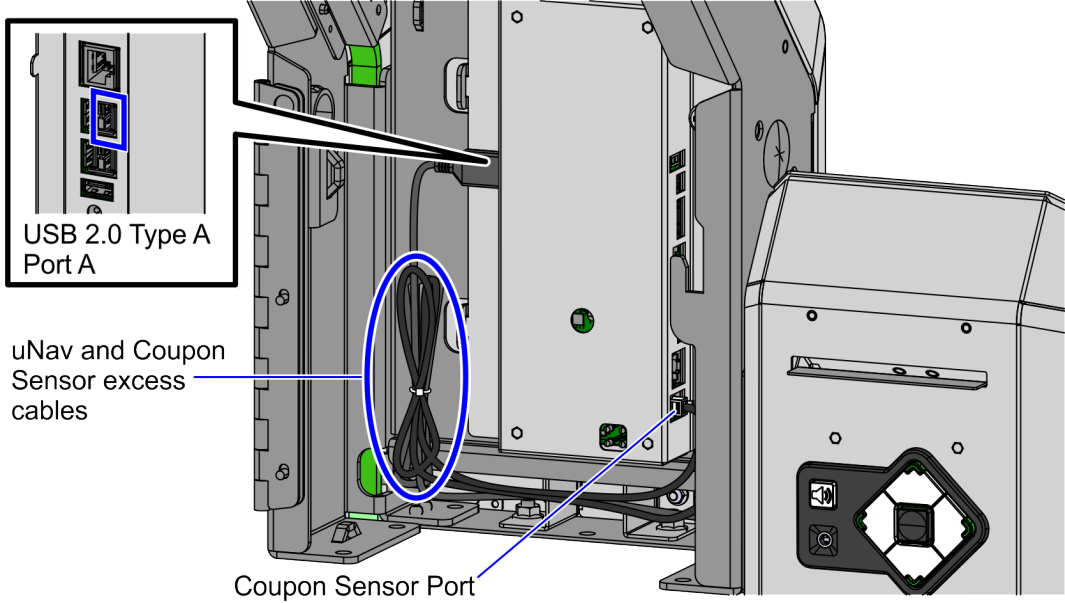
3. Route and connect the uNav and Coupon Sensor cables to the KIO Board, as indicated in the table below.

Cable	KIO Board Port
uNav	USB 2.0 Type A Port A
Coupon Sensor	Coupon Sensor Port



CCP-85591

- 4. Bundle and secure the excess cables on the left side of the Tower Cabinet using a cable tie, as shown in the image below.

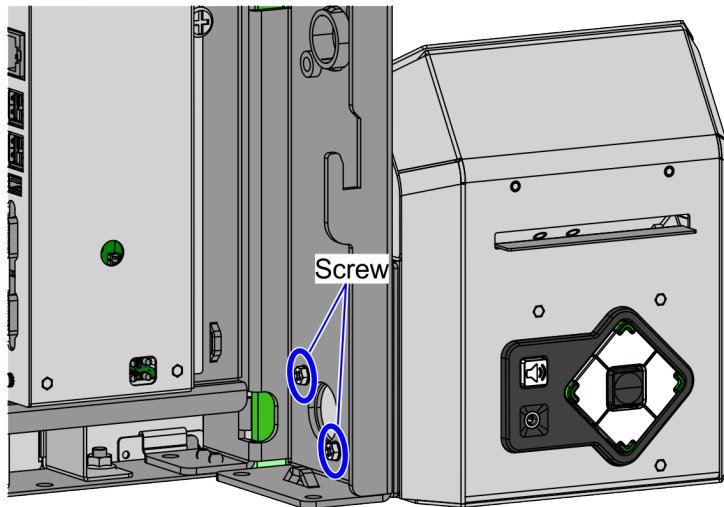


CCP-85592

Removing the Sidecar Coupon Bin (Right-hand (RH) orientation)

To remove the Sidecar Coupon Bin from a Right-hand (RH) orientation unit, follow these steps:

1. Open the Tower Cabinet. For more information, refer to "[Opening the Tower Cabinet](#)" on page 50.
2. From inside the Tower Cabinet, remove two (2) screws to detach the Sidecar Coupon Bin from the Tower Cabinet.



CCP-85576

3. Remove the Sidecar Coupon Bin away from the Tower Cabinet.

Installing the Sidecar Coupon Bin (Left-hand (LH) orientation)

To install the Sidecar Coupon Bin on a Left-hand (LH) orientation unit, follow these steps:



Note

For mounting restrictions of the Sidecar Coupon Bin, refer to [Mounting Restrictions](#).

1. If the Handheld Scanner is installed on the left side of the unit, do the following:
 - a. Remove the Handheld Scanner and Arm. For more information, refer to "[Removing the Handheld Scanner Arm](#)" on page 44.



Note

Set aside the screws for reinstallation.

- b. If a PIN Pad device is installed on the right side of the unit, remove the PIN Pad device and Arm. For more information, refer to "[Removing the PIN Pad Arm](#)" on page 48.



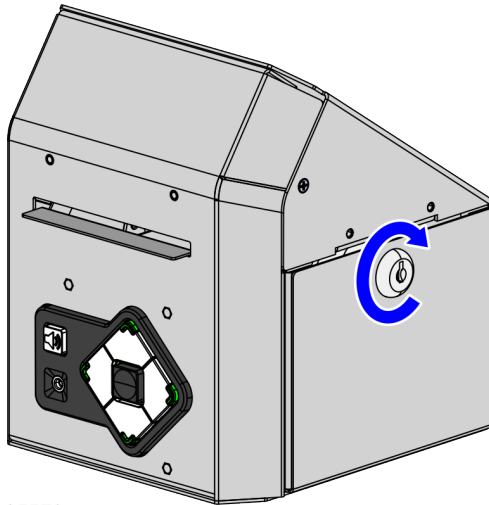
Note

For more information on removing the PIN Pad devices, refer to the corresponding PIN Pad Kit Instructions in the [7372 Kit Repository](#).

- c. Install the Handheld Scanner and Arm on the right side of the unit. For more information, refer to "[Installing the Handheld Scanner Arm](#)" on page 46.

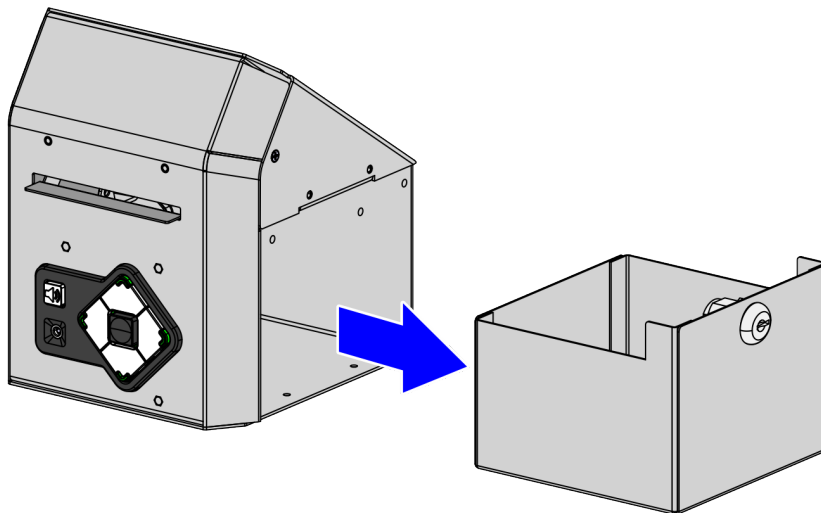
2. Do the following:

- a. Open the Sidecar Coupon Bin by turning the key clockwise.



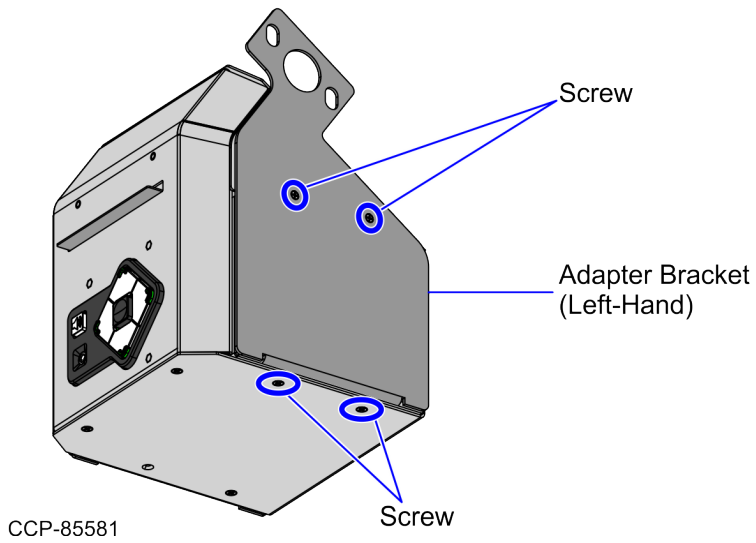
CCP-85570

- b. Pull out the Coupon Bin from the Sidecar.

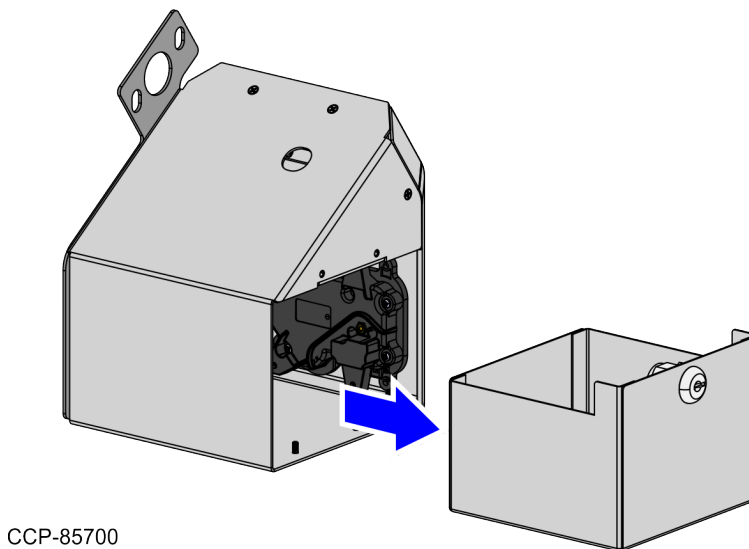


CCP-85577

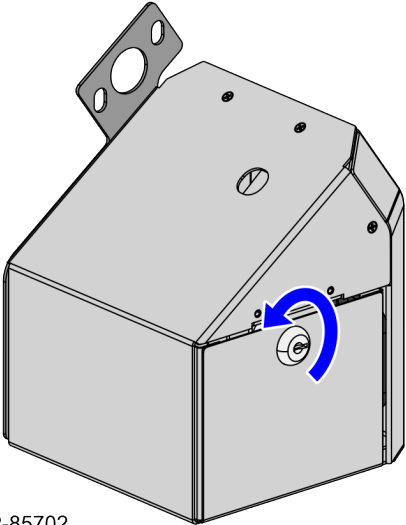
3. Attach the Adapter Bracket (Left-Hand) to the Sidecar Coupon Bin assembly using four (4) screws, as shown in the image below.



4. Insert the Coupon Bin into the Sidecar, as shown in the image below.

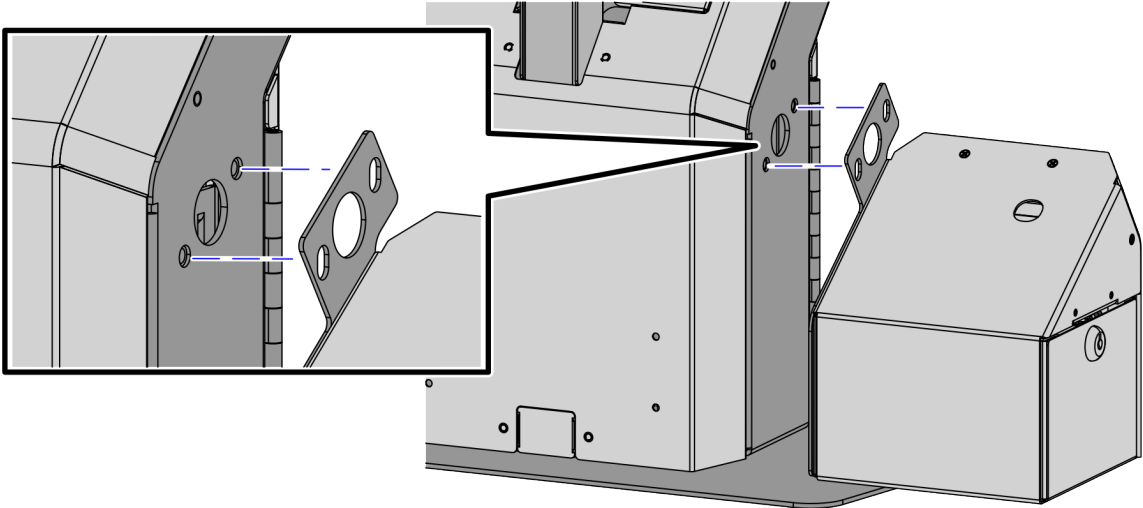


5. Close the Sidecar Coupon Bin by turning the key counterclockwise.



CCP-85702

6. Align the screw holes on the Adapter Bracket (Left-Hand) with the corresponding screw holes on the side of the Tower Cabinet.

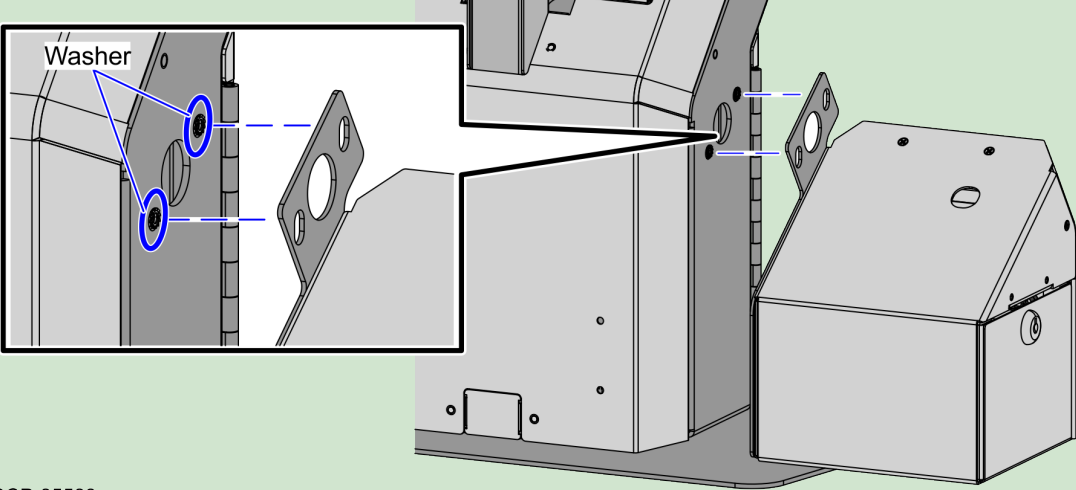


CCP-85582

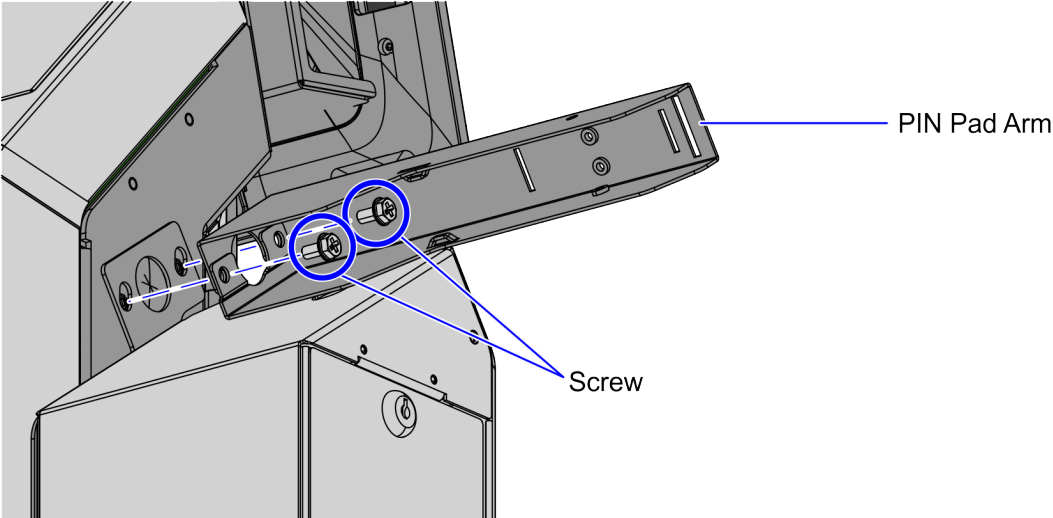
7. Secure the Sidecar Coupon Bin using two (2) screws.

Note

Insert two (2) external tooth lock washers between the Tower Cabinet and Adapter Bracket (Left-Hand), as shown in the image below.



CCP-85583



PIN Pad Arm


Screw

CCP-85584

Note

The image above shows a PIN Pad Arm reinstalled on the unit.

8. If necessary, install the PIN Pad device. Ensure that it is installed on the opposite side of the Handheld Scanner.


 **Note**

For more information on removing the PIN Pad devices, refer to the corresponding PIN Pad Kit Instructions in the [7372 Kit Repository](#).

Routing the uNav and Coupon Sensor cables (Left-hand (LH) orientation)

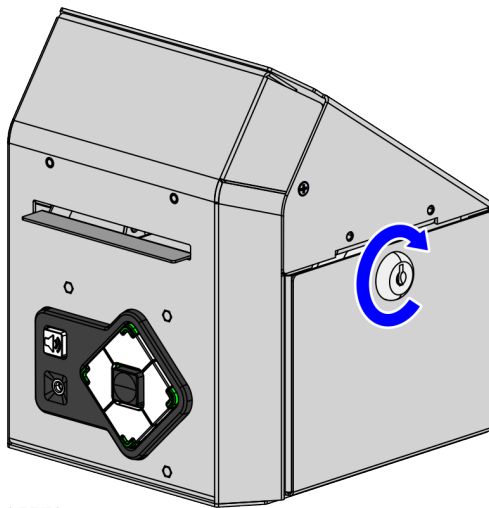
To route the uNav cable in a Left-hand (LH) orientation unit, follow these steps:

1. Install the Sidecar Coupon Bin. For more information, refer to "[Installing the Sidecar Coupon Bin \(Left-hand \(LH\) orientation\)](#)" on page 26.
2. If necessary, remove the Coupon Bin.

 **Note**

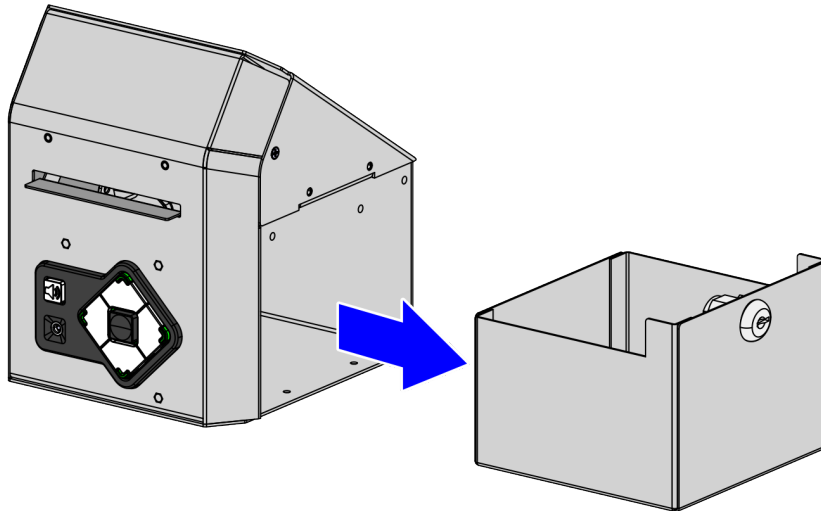
Images below are for reference only.

- a. Open the Sidecar Coupon Bin by turning the key clockwise.



CCP-85570

- b. Pull out the Coupon Bin from the Sidecar.



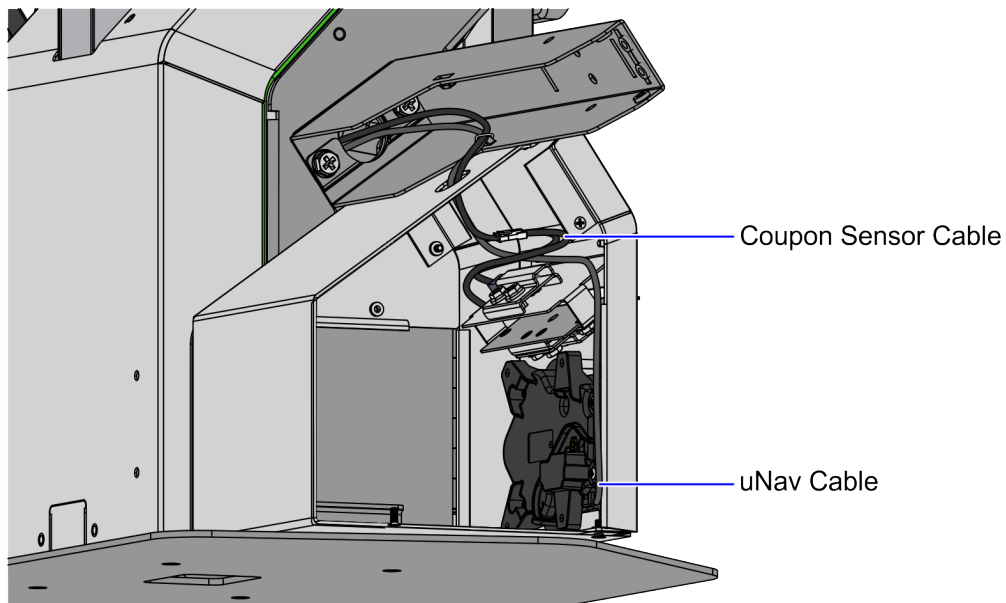
CCP-85577

3. Pass the uNav and Coupon Sensor cables through the access hole on top of the Sidecar Coupon Bin into the Tower Cabinet through the Tower Arm, as shown in the image below.



Note

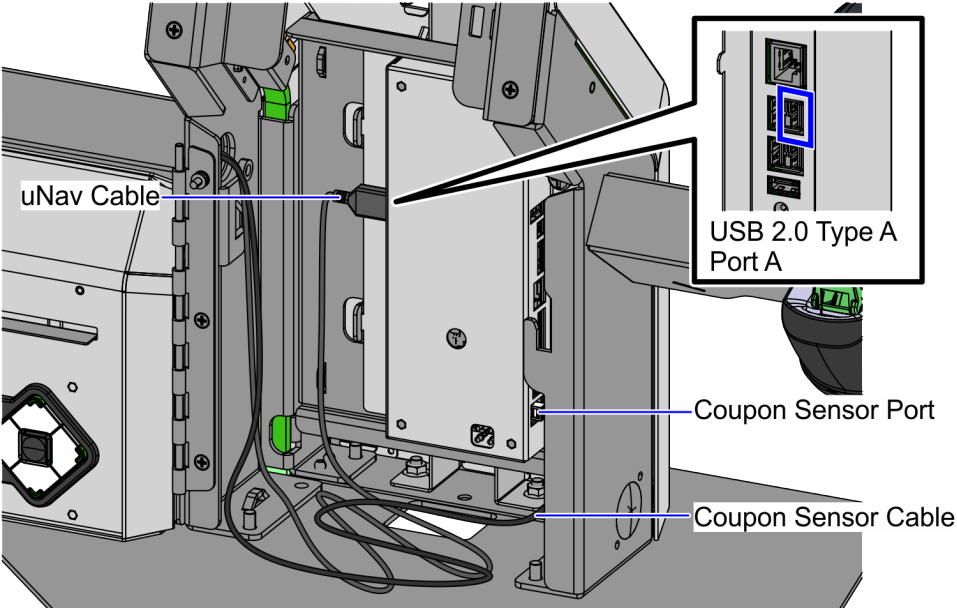
Ensure that there is enough cable slack to avoid cables from being stretched when servicing the uNav assembly.



CCP-85593

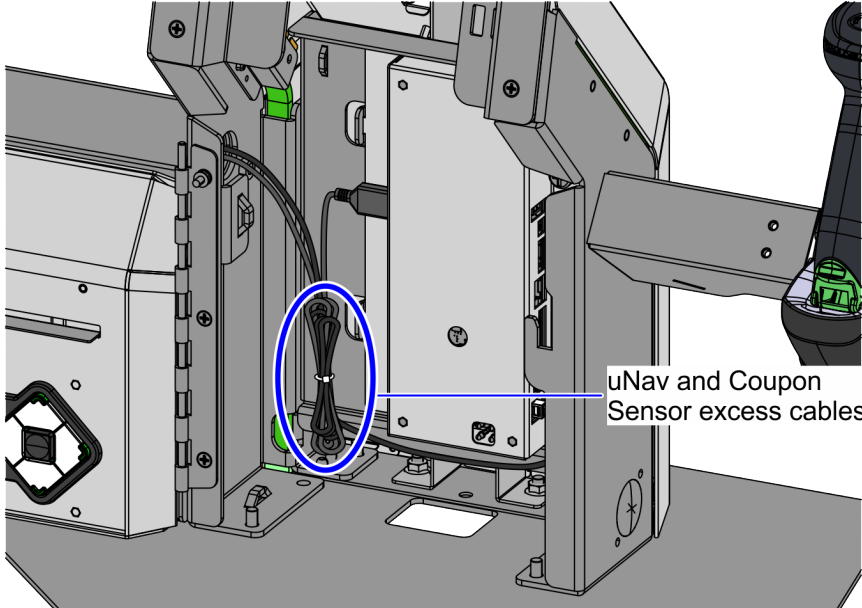
4. Route and connect the uNav and Coupon Sensor cables to the KIO Board, as indicated in the table below.

Cable	KIO Board Port
uNav	USB 2.0 Type A Port A
Coupon Sensor	Coupon Sensor Port



CCP-85594

- 5. Bundle and secure the excess cables on the left side of the Tower Cabinet using a cable tie, as shown in the image below.



CCP-85595

Removing the Sidecar Coupon Bin (Left-hand (LH) orientation)

To remove the Sidecar Coupon Bin from a Left-hand (LH) orientation unit, follow these steps:

1. If a PIN Pad device is installed on the left side of the unit, remove the device.



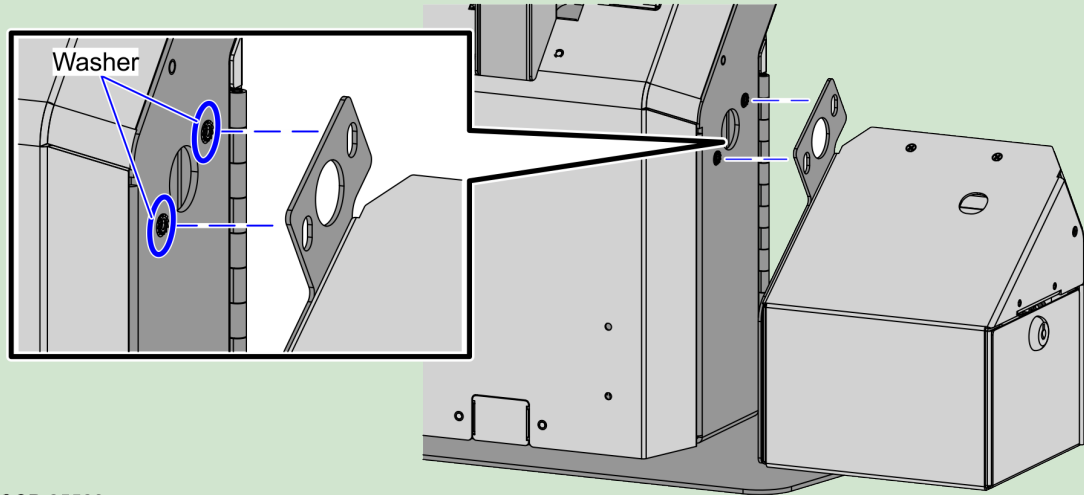
Note

For more information on removing the PIN Pad devices, refer to the corresponding PIN Pad Kit Instructions in the [7372 Kit Repository](#).

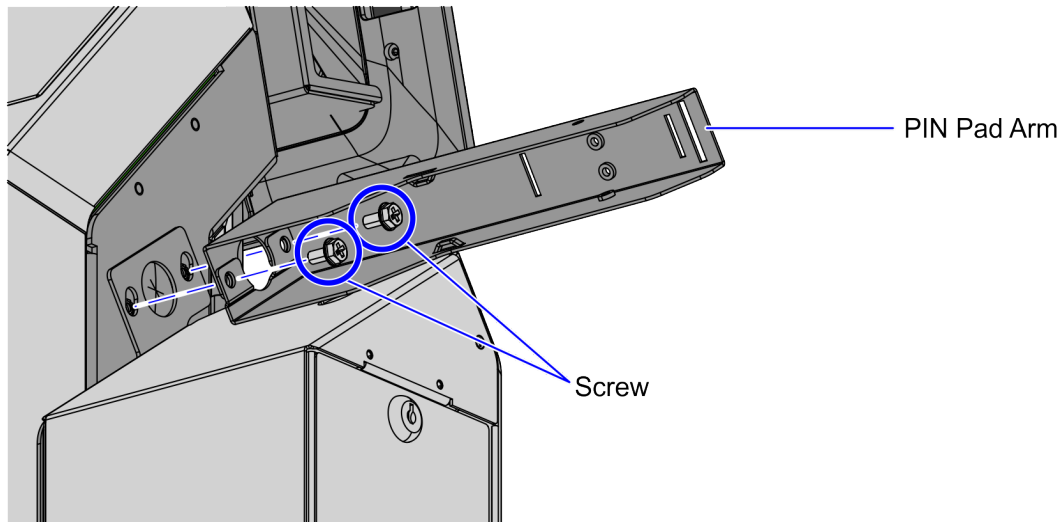
2. Remove two (2) screws to detach the PIN Pad Arm and Sidecar Coupon Bin from the Tower Cabinet, as shown in the image below.

Note

There are two (2) external tooth lock washers between the Tower Cabinet and Adapter Bracket (Left-Hand).



CCP-85583



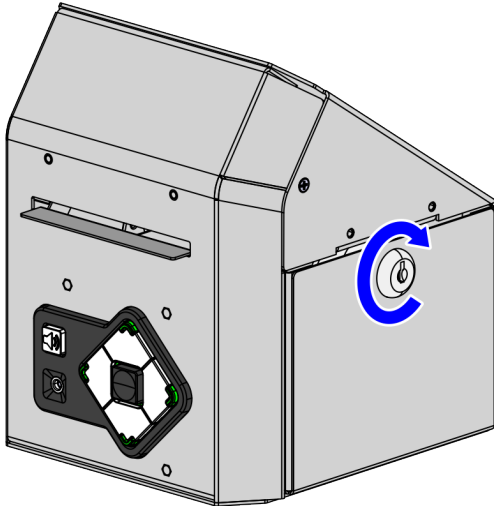
CCP-85584

3. Remove the Sidecar Coupon Bin away from the Tower Cabinet.

Removing the Coupon Bin

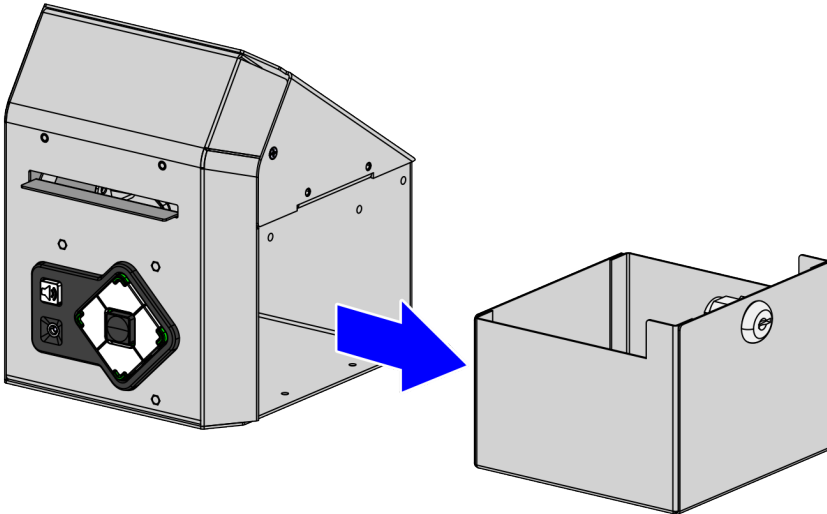
To remove the Coupon Bin from the Sidecar, follow these steps:

- 1. Open the Sidecar Coupon Bin by turning the key clockwise.



CCP-85570

- 2. Pull out the Coupon Bin from the Sidecar.

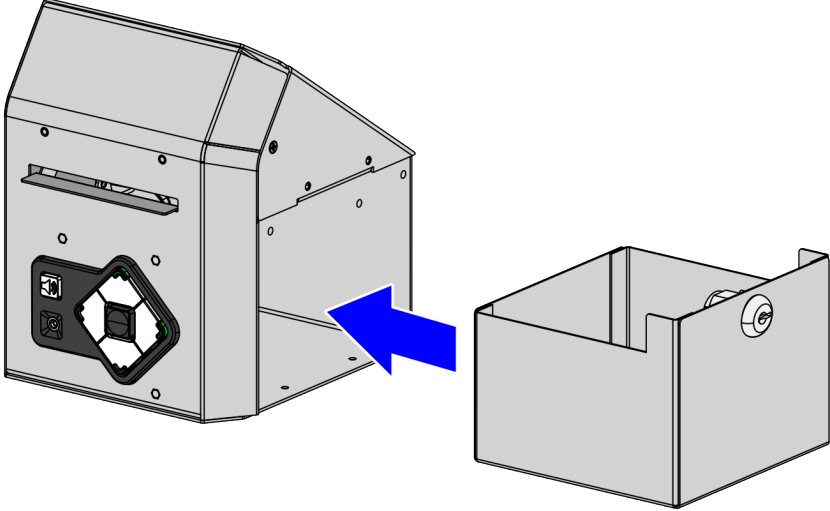


CCP-85577

Inserting the Coupon Bin

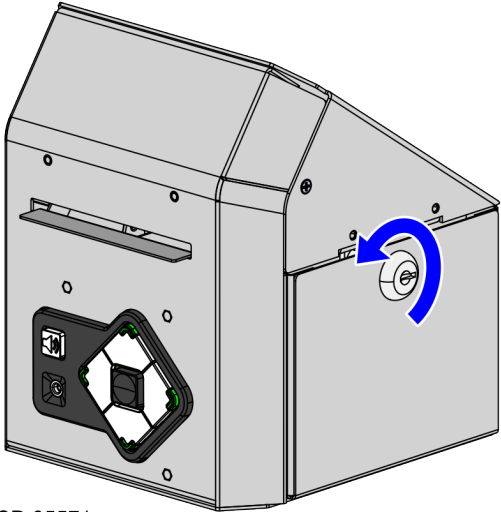
To insert the Coupon Bin into the Sidecar, follow these steps:

- 1. Insert the Coupon Bin into Sidecar.



CCP-85578

- 2. Close the Sidecar Coupon Bin by turning the key counterclockwise.

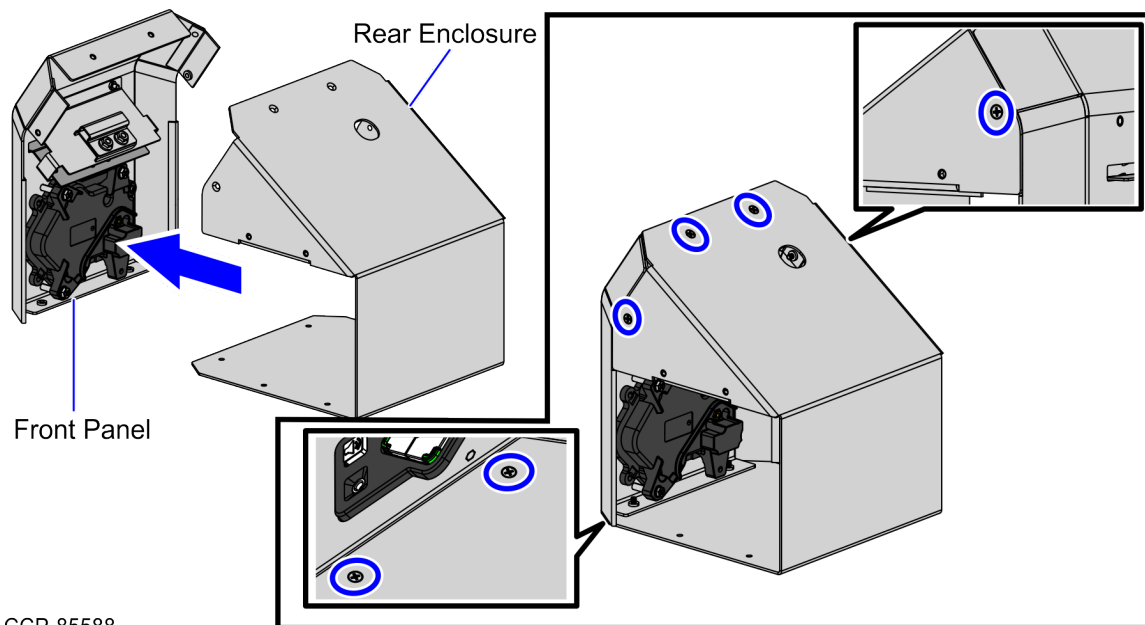


CCP-85571

Removing the uNav device

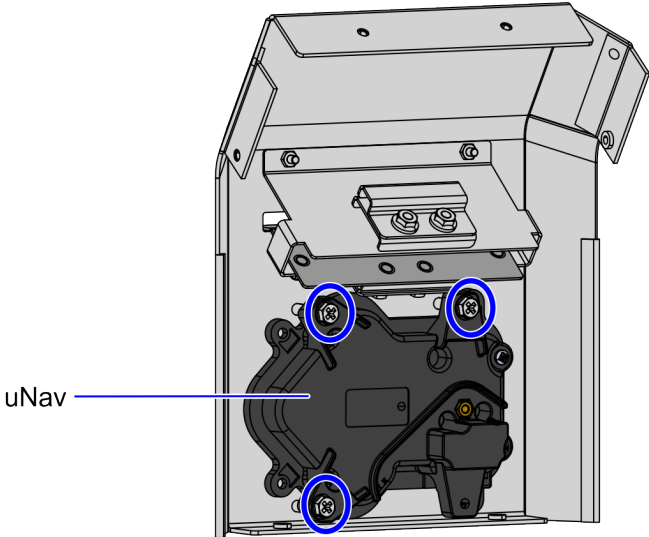
To remove the uNav device from the Sidecar Coupon Bin, follow these steps:

1. If necessary, detach the Sidecar Coupon Bin from the side of the Tabletop Cabinet. Depending on the unit configuration, refer to either of the following procedures:
 - "[Removing the Sidecar Coupon Bin \(Right-hand \(RH\) orientation\)](#)" on page 25
 - "[Removing the Sidecar Coupon Bin \(Left-hand \(LH\) orientation\)](#)" on page 36
2. Remove the Coupon Bin from the Sidecar. For more information, refer to "[Removing the Coupon Bin](#)" on page 38.
3. Remove six (6) screws to detach the Rear Enclosure from the Front Panel, as shown in the image below.



4. Remove the cable ties to detach the uNav cable from the Sidecar wall.

5. Remove three (3) screws to detach the uNav device from the Sidecar Front Panel.

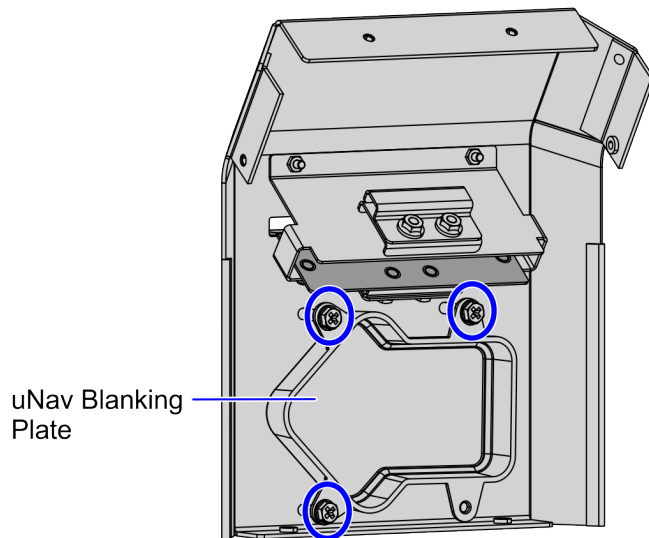


CCP-85586

Installing the uNav Blanking Plate

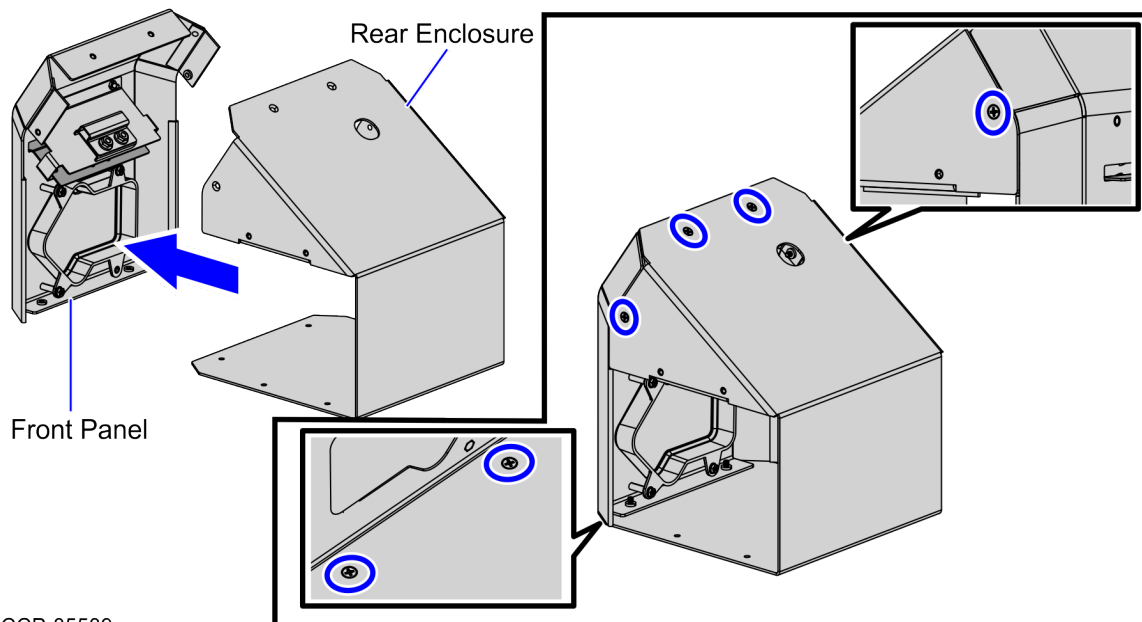
To install the uNav Blanking Plate, follow these steps:

1. Remove the uNav device from the Sidecar. For more information, refer to "[Removing the uNav device](#)" on page 40.
2. Attach the uNav Blanking Plate to the corresponding studs on the Sidecar Front Panel using three (3) screws.



CCP-85587

3. Secure the Rear Enclosure to the Front Panel using six (6) screws, as shown in the image below.

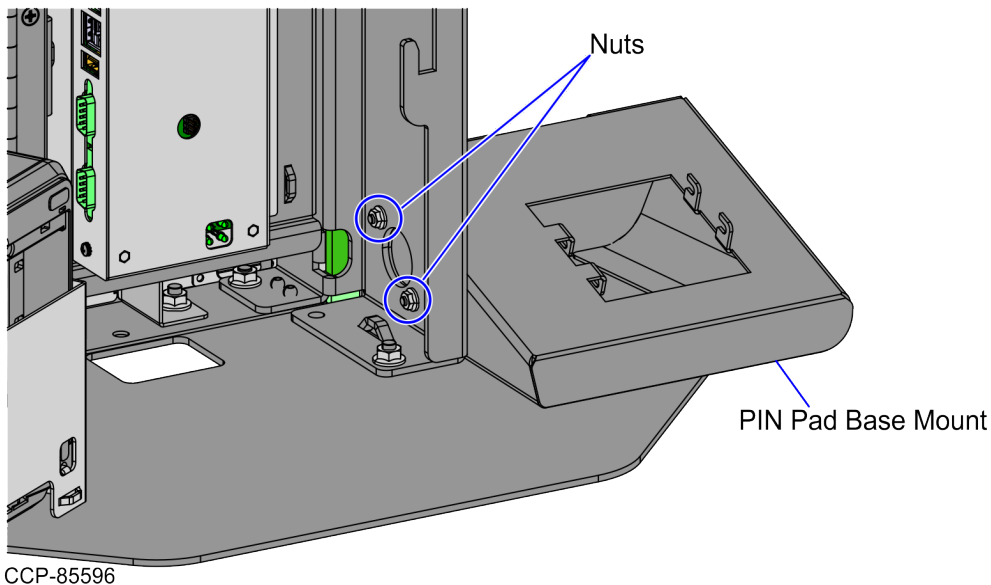


CCP-85589

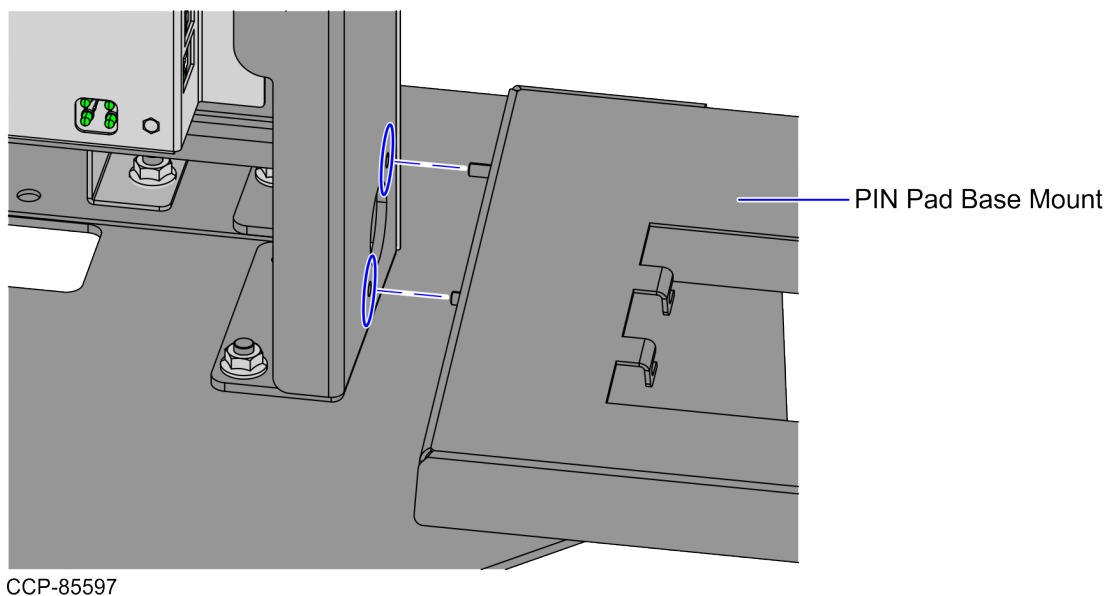
Removing the PIN Pad Base Mount

To remove the PIN Pad Base Mount, follow these steps:

1. Remove the PIN Pad. Depending on the PIN Pad device, refer to the corresponding PIN Pad Kit Instructions in the [7372 Kit Repository](#).
2. Remove two (2) M4 nuts from inside the Tower Cabinet, as shown in the image below. ccp-85596



3. Detach the PIN Pad Base Mount from the Tower Cabinet. ccp-85597



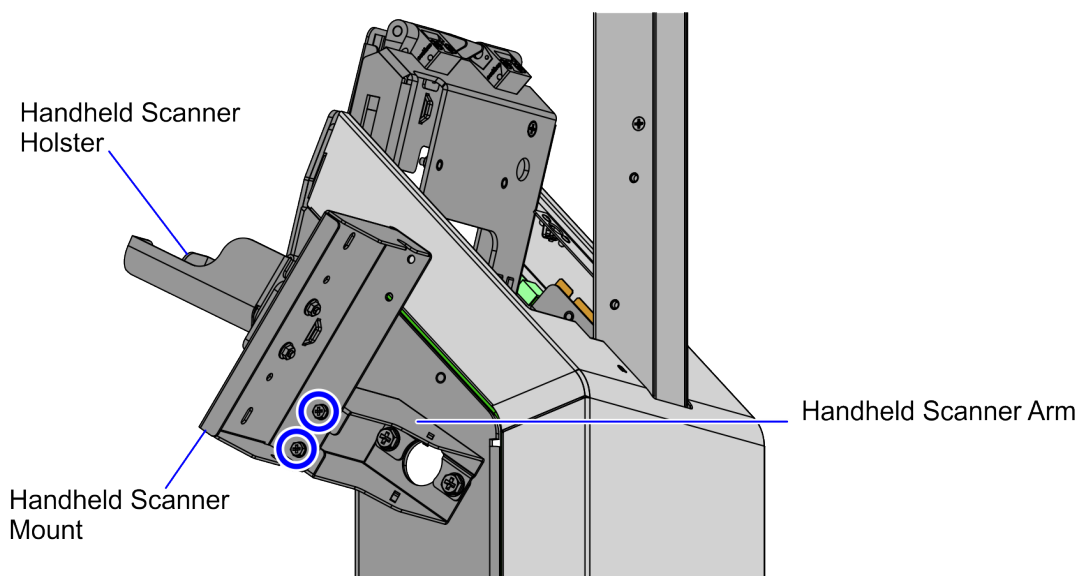
Removing the Handheld Scanner Arm

To remove the Handheld Scanner Arm, follow these steps:

Note

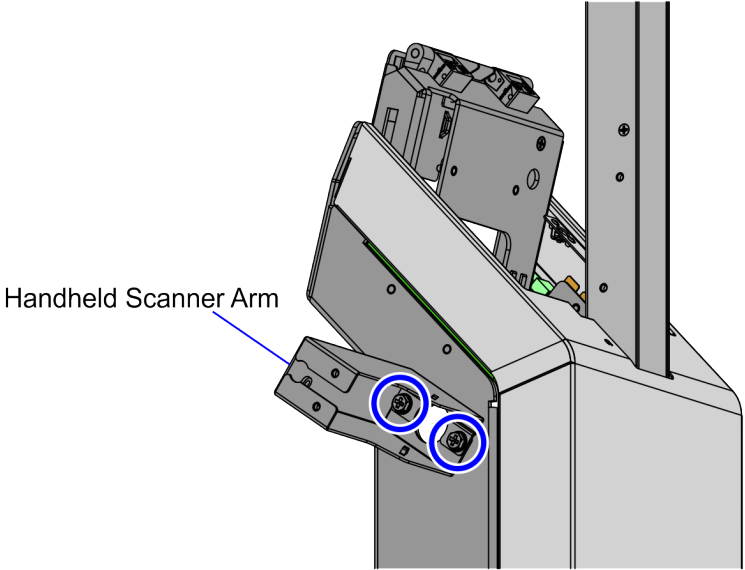
For the purpose of illustration only, the procedure shows removing the Handheld Scanner Arm from a Right-hand (RH) orientation unit.

1. Remove the Handheld Scanner.
2. Remove two (2) screws to detach the Handheld Scanner Mount and Holster from the Handheld Scanner Arm, as shown in the image below.



CCP-85599

3. Remove two (2) screws to detach the Handheld Scanner Arm from the Tower Cabinet, as shown in the image below.



CCP-85598

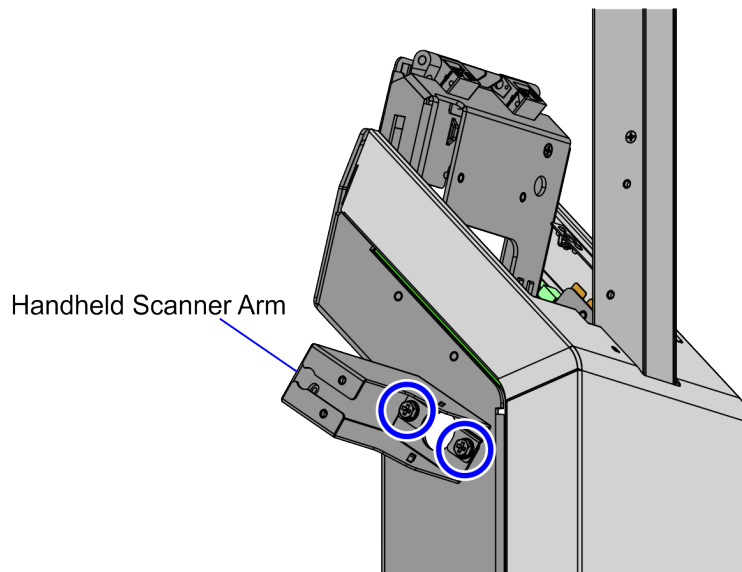
Installing the Handheld Scanner Arm

To install the Handheld Scanner Arm, follow these steps:

Note

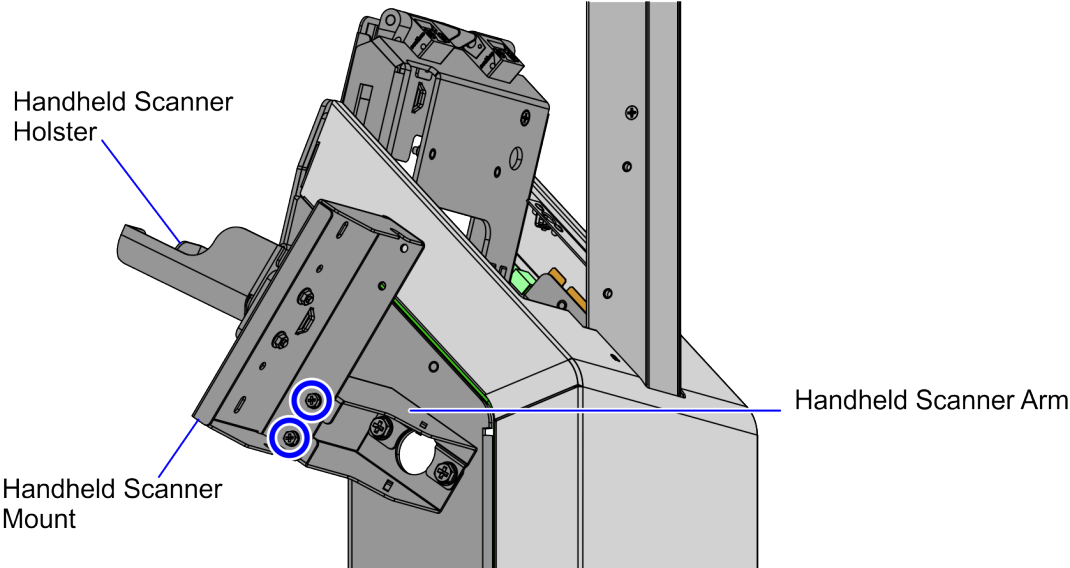
For the purpose of illustration only, the procedure shows installing the Handheld Scanner Arm on a Right-hand (RH) orientation unit.

1. Attach the Handheld Scanner Arm to the Tower Cabinet using two (2) screws, as shown in the image below.



CCP-85598

2. Attach the Handheld Scanner Mount and Holster assembly to the Handheld Scanner Arm using two (2) screws, as shown in the image below.



CCP-85599

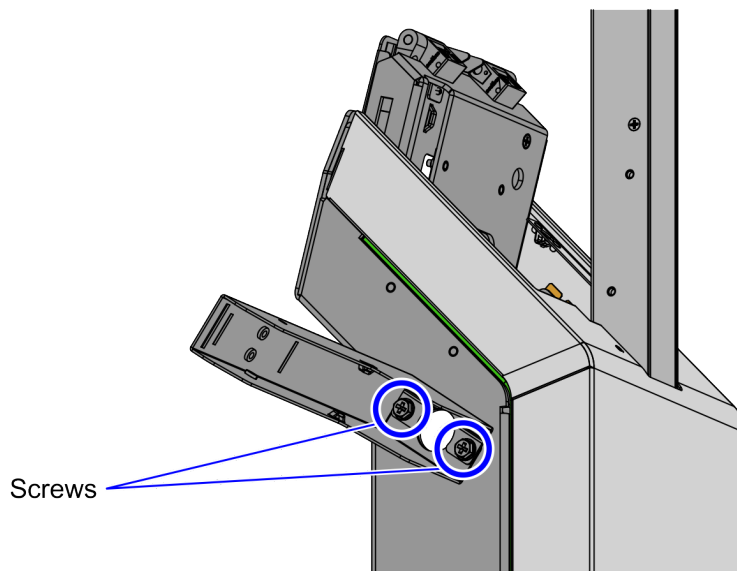
Removing the PIN Pad Arm

To remove the PIN Pad Arm, follow these steps:

Note

For the purpose of illustration only, the procedure shows removing the PIN Pad Arm from one side of the unit.

1. Remove the PIN Pad device. Depending on the PIN Pad, refer to the corresponding PIN Pad Kit Instructions from the [7372 Kit Repository](#).
2. Remove two (2) screws to detach the PIN Pad Arm from the Tower Cabinet, as shown in the image below.



CCP-85504

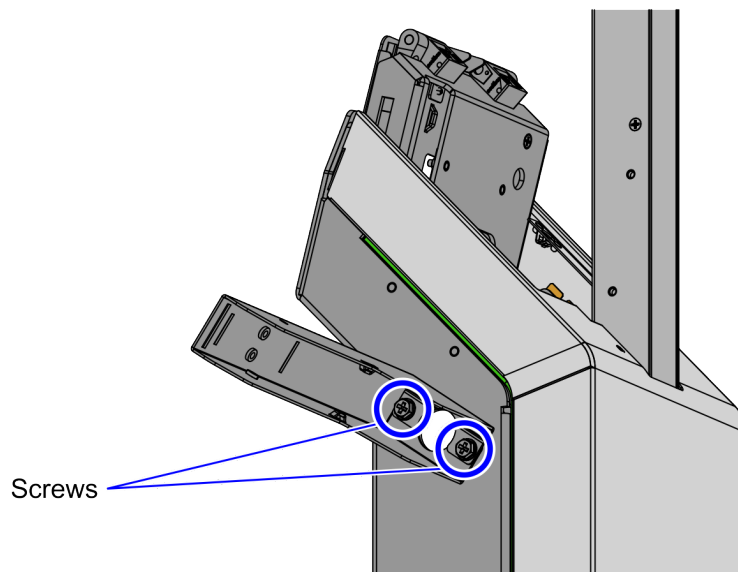
Installing the PIN Pad Arm

To install the PIN Pad Arm, follow these steps:

Note

For the purpose of illustration only, the images in this procedure shows the PIN Pad Arm on a Right-hand (RH) orientation unit.

1. Attach the PIN Pad Arm to the Scanner Adapter using two (2) screws, as shown in the image below.

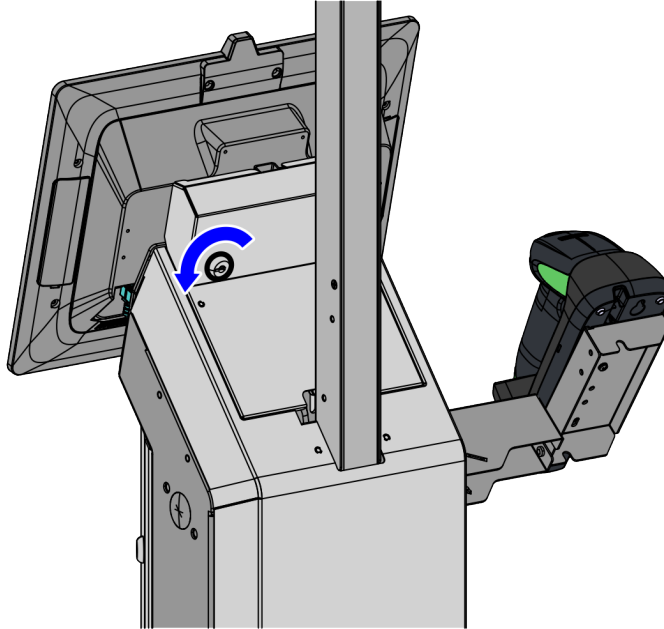


2. Install the PIN Pad. Depending on the PIN Pad, refer to corresponding PIN Pad Kit Instructions from the [7372 Kit Repository](#).

Opening the Tower Cabinet

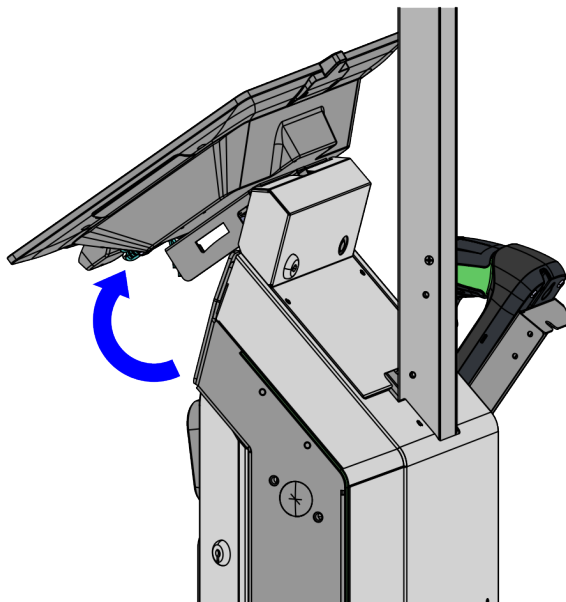
To open the Tower Cabinet, follow these steps:

1. Unlock the Rear Cover of the Tower Frame using a key.



CCP-84442

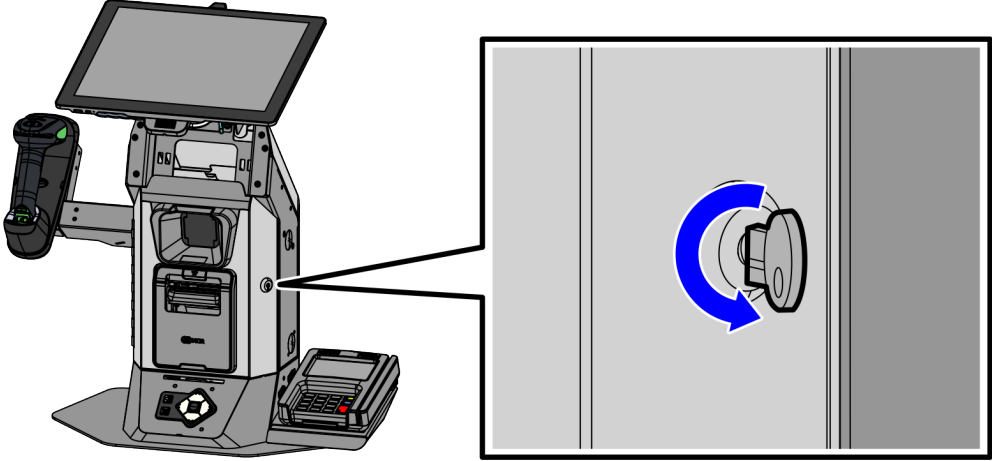
2. Lift the Terminal Display, as shown in the image below.



CCP-84538

3. Open the Tower Cabinet door using a key.

Note
For the purpose of illustration only, the image below shows a Tabletop with a uNAV Base configuration.



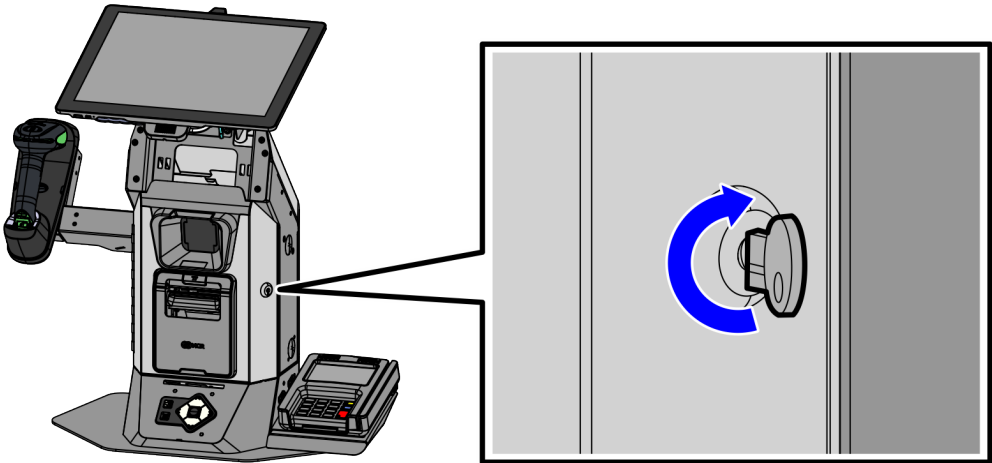
CCP-84524

Closing the Tower Cabinet

To close the Tower Cabinet, follow these steps:

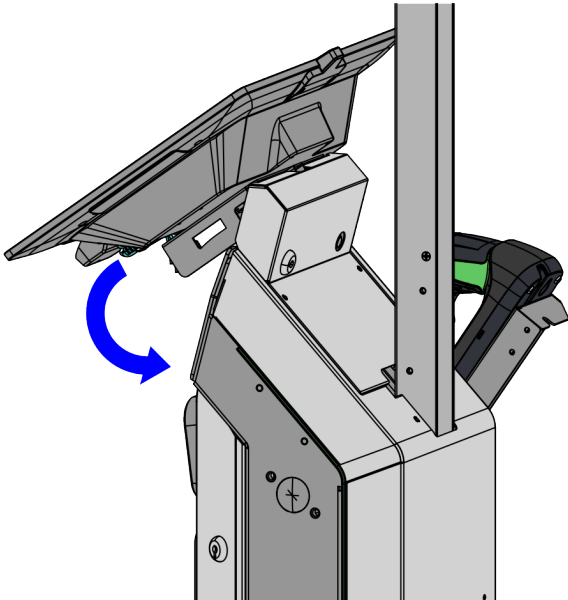
1. Close the Tower Cabinet door using a key.

 **Note**
For the purpose of illustration only, the image below shows a Tabletop with a uNAV Base configuration.



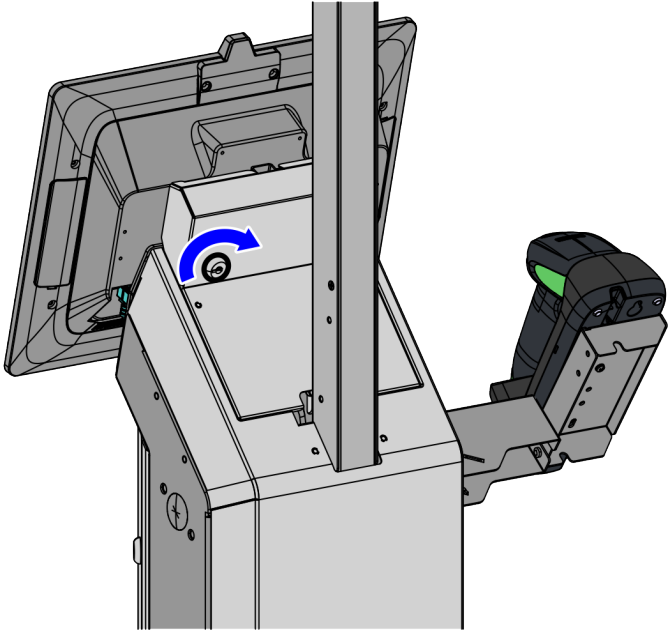
CCP-84525

2. Lower the Terminal Display



CCP-84540

3. Lock the Terminal Display on the Rear Cover of the Tower Frame using a key.



CCP-84900