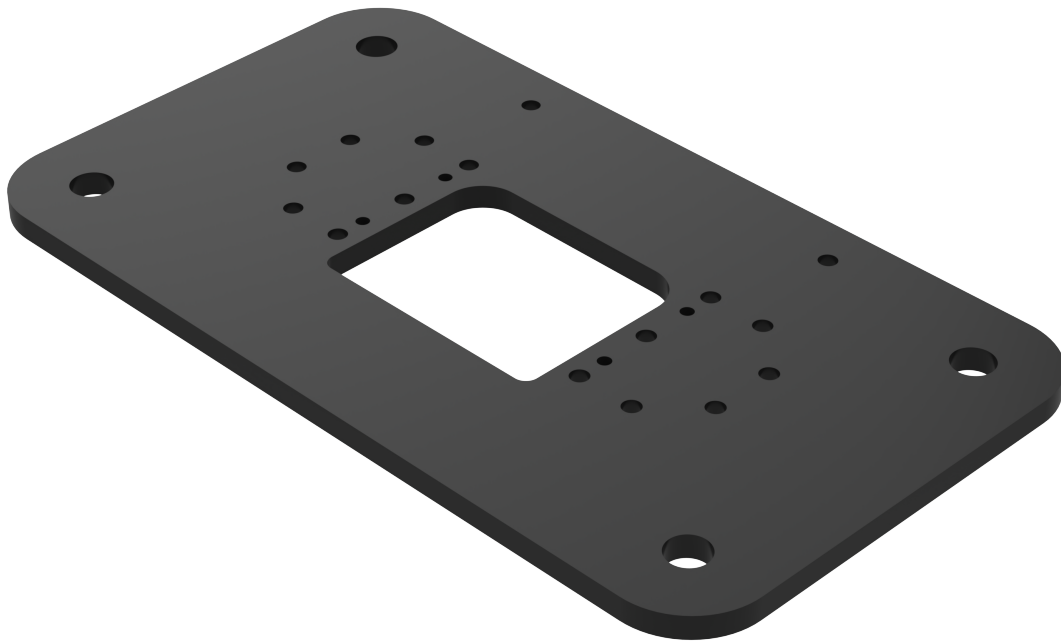




Kit Instructions

Bolt-Down Base Plate (Card Only)



7372-K101

Issue A

Copyright and Trademark Information

The product described in this document is a licensed product of NCR Voyix Corporation.

NCR Voyix SCO Hardware is a trademark of NCR Voyix Corporation in the United States and/or other countries. Other product names mentioned in this publication may be trademarks or registered trademarks of their respective companies and are hereby acknowledged.

Where creation of derivative works, modifications or copies of this NCR copyrighted documentation is permitted under the terms and conditions of an agreement you have with NCR, NCR's copyright notice must be included.

Disclaimer:

It is the policy of NCR Voyix Corporation to improve products as technology, components, software and firmware become available. NCR Voyix therefore reserves the right to change specifications without prior notice.

All features, functions and operations described herein may not be marketed by NCR Voyix in all parts of the world. In some instances, photographs are of equipment prototypes.

Therefore, before using this document, consult with your NCR Voyix representative or NCR Voyix office for information that is applicable and current.

© 2024

By NCR Voyix Corporation

Atlanta, Georgia, USA

All Rights Reserved

Revision Record

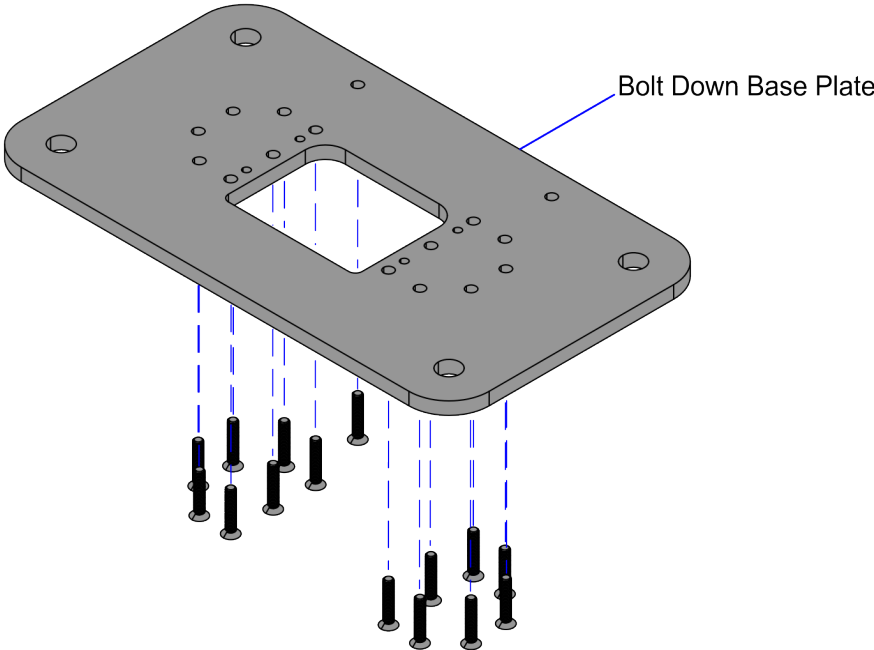
Issue	Date	Remarks
A	Apr 2024	First issue.

7372-K101 Bolt-Down Base Plate (Card Only)

This publication provides procedures or installing 7372-K101 Bolt-Down Base Plate (Card Only) to the Complete Product Name.

Note
 Prepare four (4) .5 in (12.9 mm) concrete anchor bolts. These bolts are supplied by the customer.

Kit Contents



CCP-84462

Part Number	Description
497-0536424	7372-K101 Bolt-Down Base Plate (Card Only)
006-8628553	Screw - Flat Head, Phillips, M6X1, 30Mm Long, Zinc (16 pcs)
497-0536425	Bolt Down Base Plate

Confidential and proprietary information of NCR Voyix.
 Use and disclose solely pursuant to company instructions.

Part Number	Description
* 497-0423108	Instructions Kit (Reference Sheet)

* Items marked with an asterisk are not called out on the image.

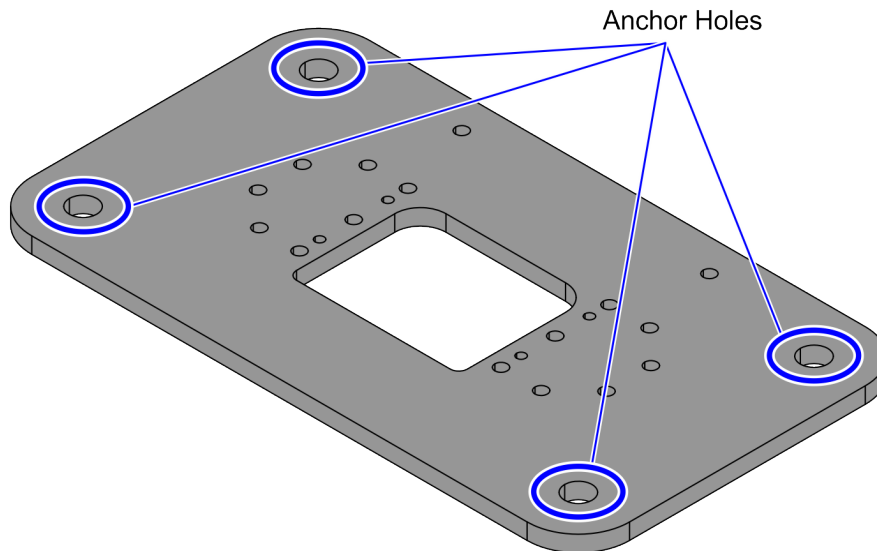
Installation Procedure

To install the Bolt-Down Base Plate (Card Only) kit, follow these steps:

Note

Prepare four (4) .5 in (12.9 mm) concrete anchor bolts. These bolts are supplied by the customer.

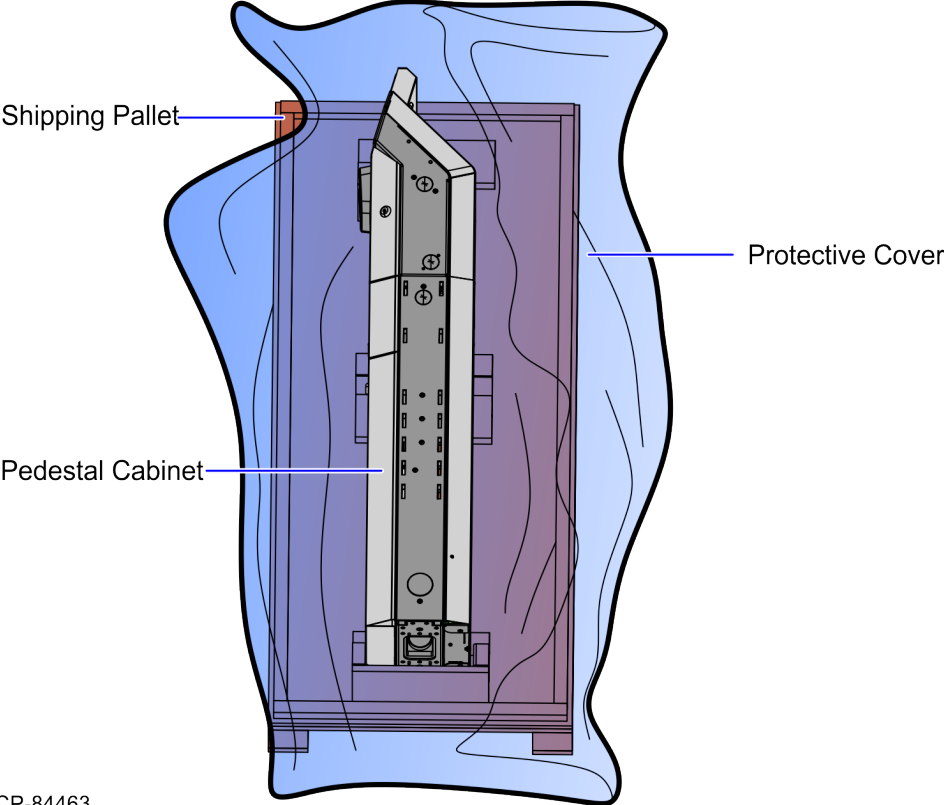
1. Position the Bolt-Down Base Plate at the final location of the unit.
2. Mark locations for four (4) concrete anchors using the Bolt-Down Base Plate as template. The anchors are in the corners of the Base Plate, as shown in the image below.



CCP-84467


3. Install the anchors in the marked locations based on the manufacturer's instructions.

4. Strip the protective cover from the Pedestal Cabinet that is still on the pallet.

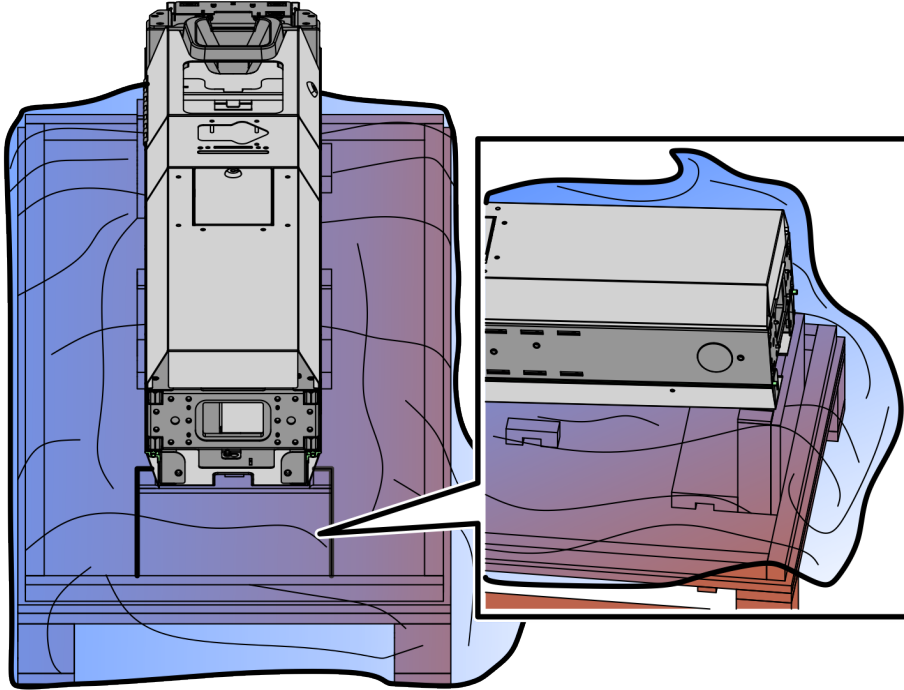


CCP-84463

5. Position the Pedestal Cabinet so that its rear is on the protective cover.

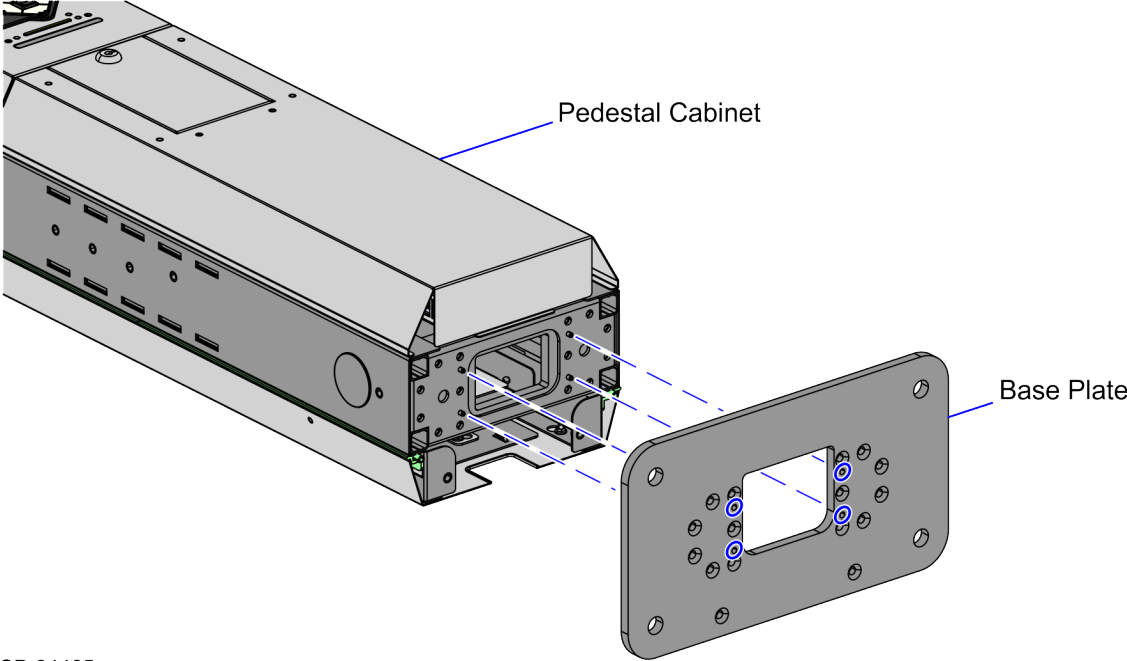
 **Note**

The protective cover is used to protect the paint on the Cabinet.



CCP-84464

6. Align the holes of the Base Plate with the pins on the bottom of the Pedestal Cabinet.

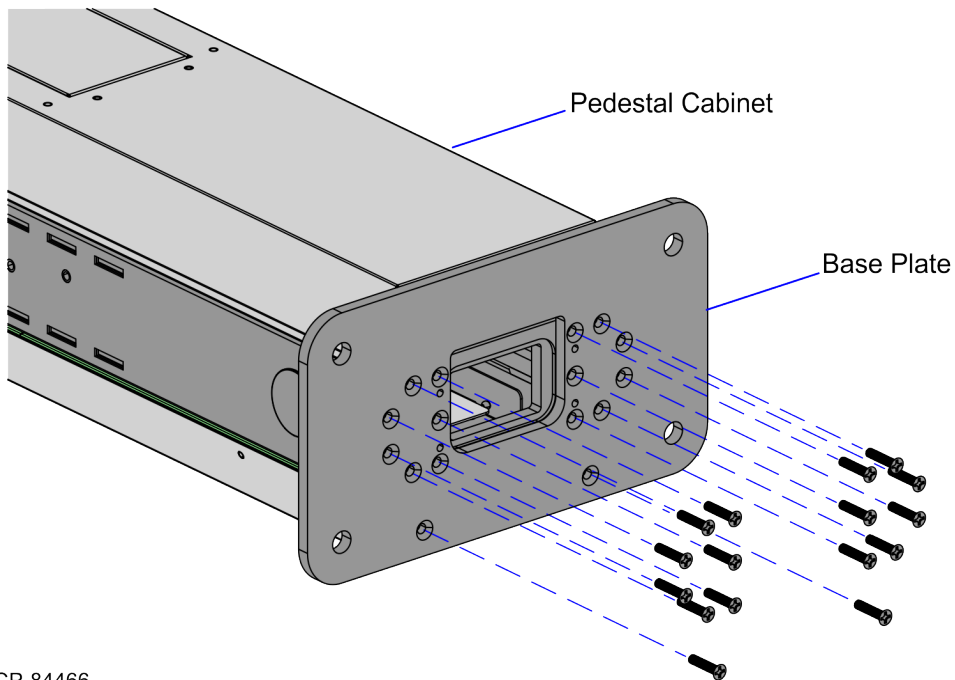


CCP-84465

7. Secure the Base Plate to the bottom of the Pedestal Cabinet using 16 M6 screws.

⚠ Caution

Do not overtighten the screws.



CCP-84466

8. Position the unit with the Bolt-Down Base Plate over the anchors and secure to the floor with the anchor nuts and washers.