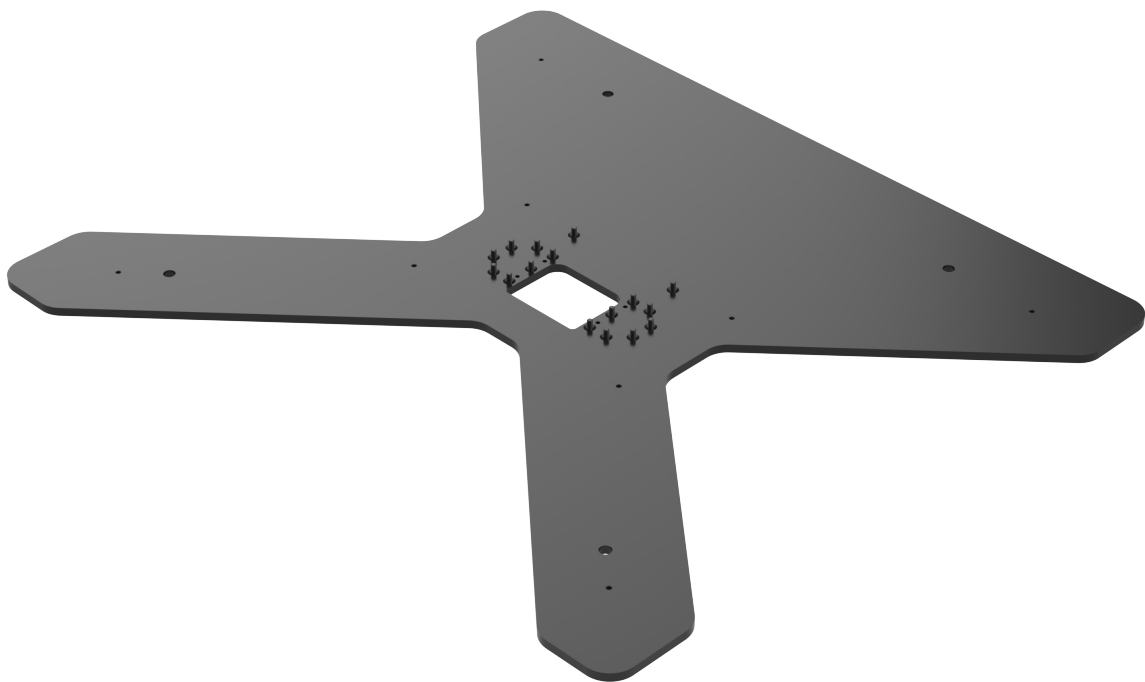




Kit Instructions

Standard Base Plate (Card Only)



7372-K100

Issue A

The product described in this document is a licensed product of NCR Corporation.

NCR is a registered trademark of NCR Corporation. NCR Self-Checkout Hardware is a trademark of NCR Corporation in the United States and/or other countries. Other product names mentioned in this publication may be trademarks or registered trademarks of their respective companies and are hereby acknowledged.

The terms HDMI and HDMI High-Definition Multimedia Interface, and the HDMI Logo are trademarks or registered trademarks of HDMI Licensing LLC in the United States and other countries.

Where creation of derivative works, modifications or copies of this NCR copyrighted documentation is permitted under the terms and conditions of an agreement you have with NCR, NCR's copyright notice must be included.

It is the policy of NCR Corporation (NCR) to improve products as new technology, components, software, and firmware become available. NCR, therefore, reserves the right to change specifications without prior notice.

All features, functions, and operations described herein may not be marketed by NCR in all parts of the world. In some instances, photographs are of equipment prototypes. Therefore, before using this document, consult with your NCR representative or NCR office for information that is applicable and current.

Copyright © 2023

By NCR Voyix Corporation
Global Headquarters
864 Spring St. NW
Atlanta, GA 30308
United States
All Rights Reserved

Confidential and proprietary information of NCR Voyix Corporation.
Unauthorized use, reproduction and/or distribution is strictly prohibited.

Revision Record

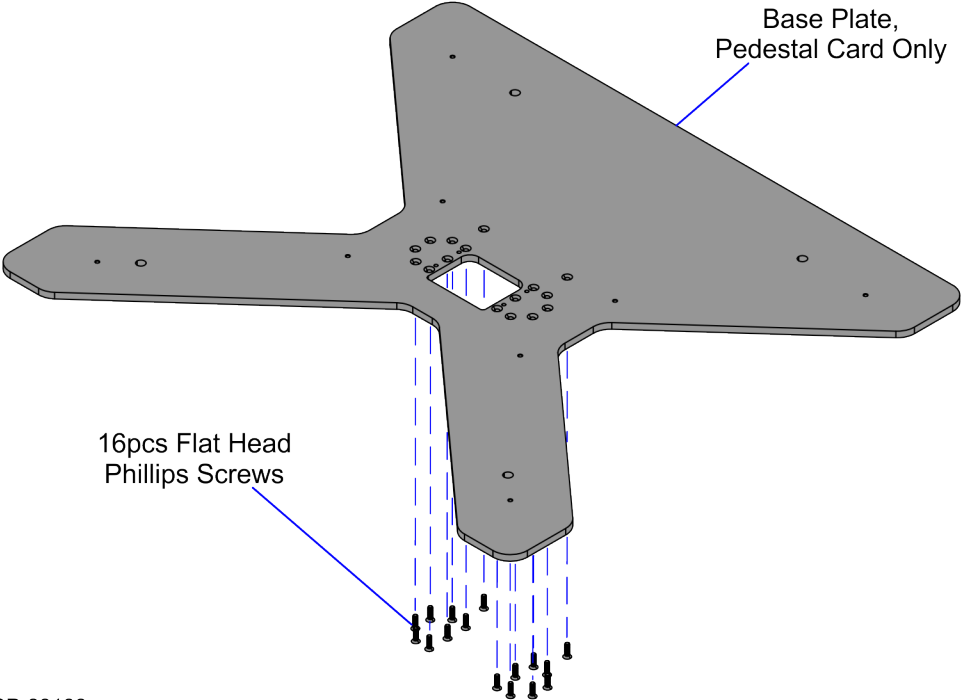
Issue	Date	Remarks
A	Nov 2023	First issue.

Confidential and proprietary information of NCR Voyix Corporation.
Unauthorized use, reproduction and/or distribution is strictly prohibited.

Standard Base Plate (Card Only)

This publication provides instructions for installing the 7372-K100 Standard Base Plate (Card Only) kit to the NCR Self-Checkout Hardware (7372) unit.

Kit Contents



CCP-83133

	Description
497-0534420	7372-K100 Standard Base Plate - Card Only
006-8628553	Screw, Flat Head Phillips, M6 Xv1, 30mm Long, Zinc (16 pcs)
497-0535217	Base Plate, Pedestal, Card Only (1 pc)
* 497-0423108	Instructions Kit (Reference Sheet)

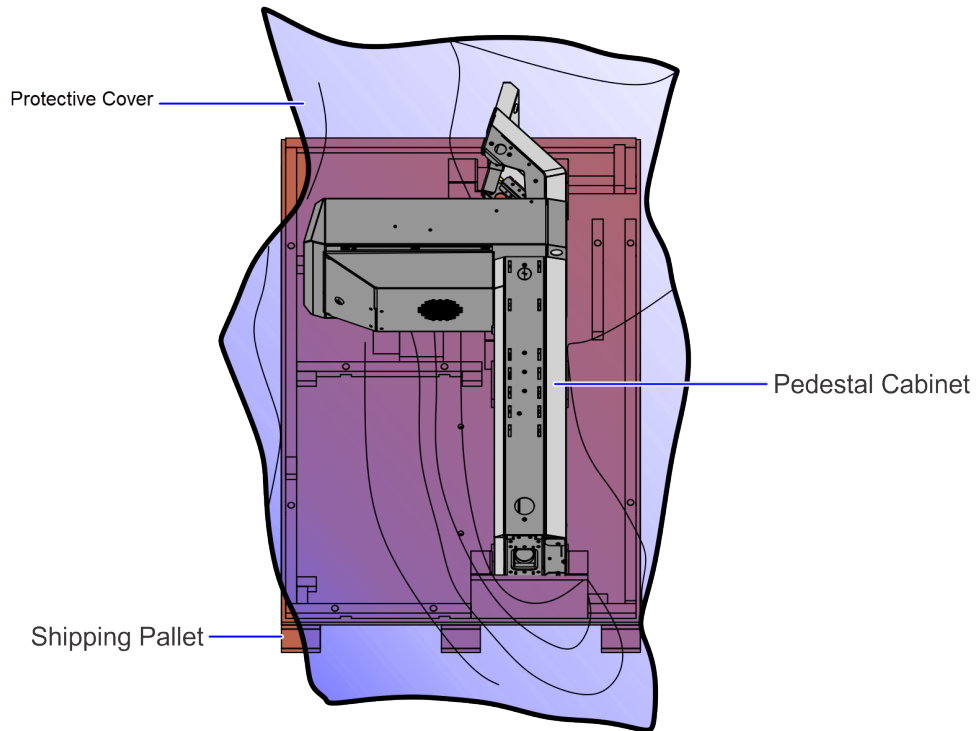
* Items marked with an asterisk are not called out on the image.

Confidential and proprietary information of NCR Voyix Corporation.
 Unauthorized use, reproduction and/or distribution is strictly prohibited.

Installation Procedure

To install the 7372-K100 Standard Base Plate (Card Only) kit, follow these steps:

1. Strip the protective cover from the Pedestal Cabinet that is still on the pallet.

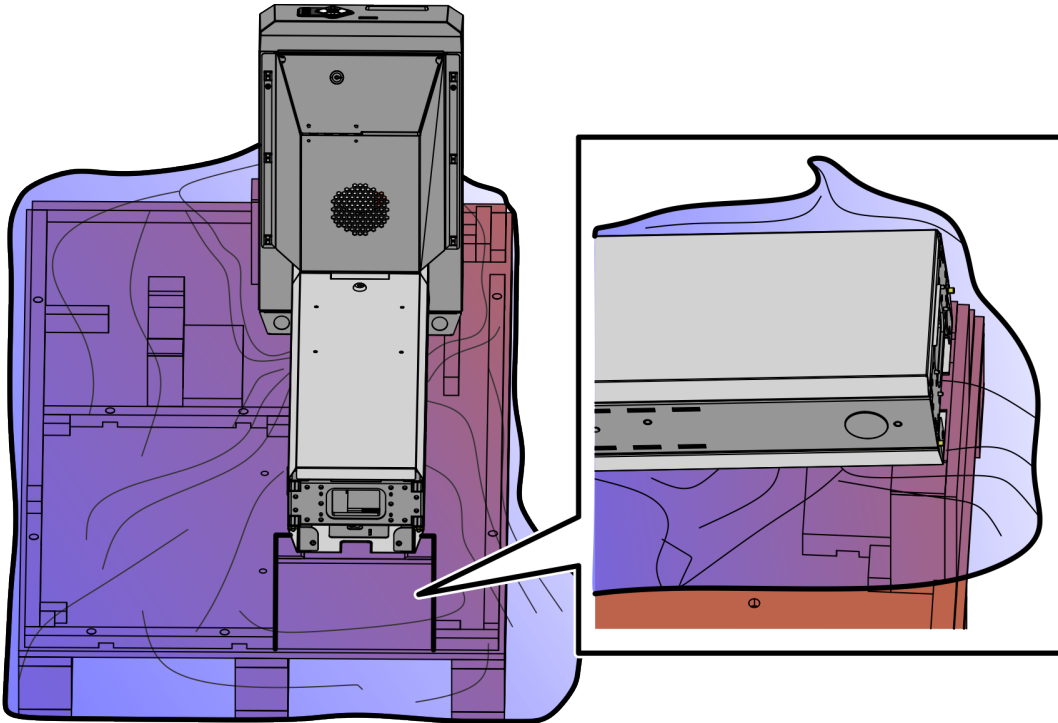


CCP-83131

2. Position the Pedestal Cabinet so that its rear is on the protective cover.

i Note

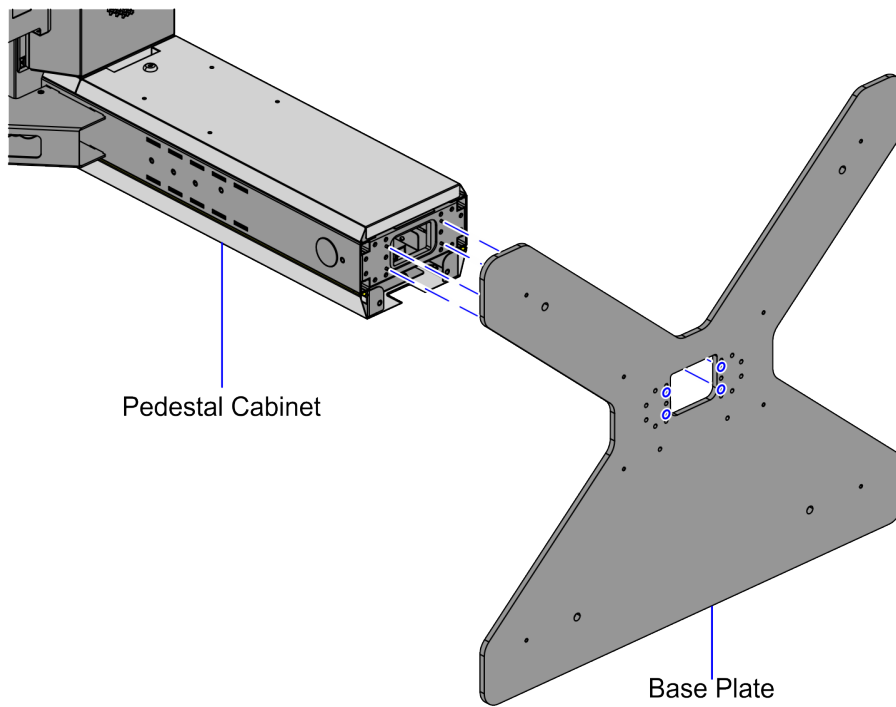
The protective cover is used to protect the paint on the Cabinet.



CCP-83132

Confidential and proprietary information of NCR Voyix Corporation.
Unauthorized use, reproduction and/or distribution is strictly prohibited.

3. Align the holes of the Base Plate with the pins on the bottom of the Pedestal Cabinet.

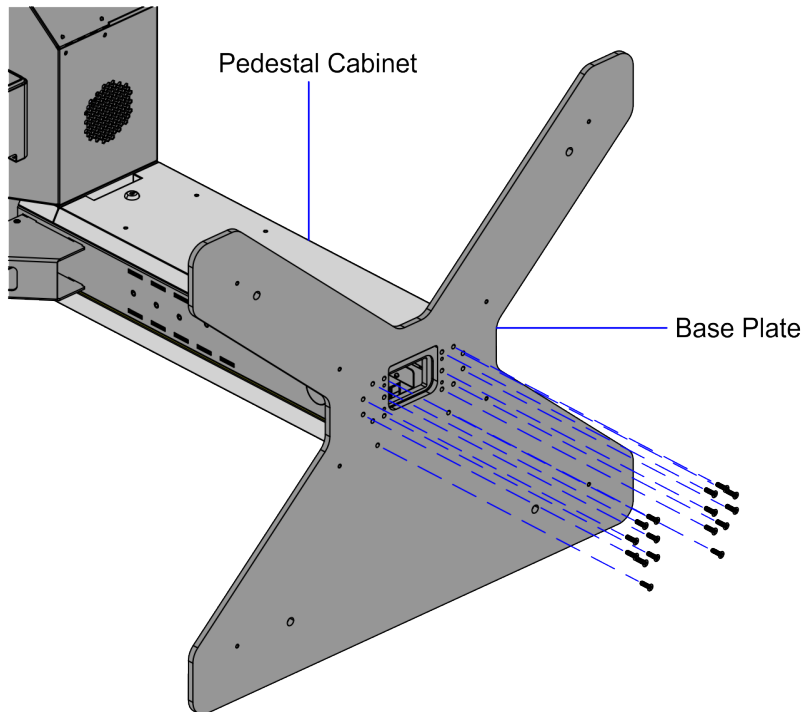


CCP-83129

Confidential and proprietary information of NCR Voyix Corporation.
Unauthorized use, reproduction and/or distribution is strictly prohibited.

- Secure the Base Plate to the bottom of the Pedestal Cabinet using 16 M6 screws.

⚠ Caution
Do not overtighten the screws.



CCP-83130

Confidential and proprietary information of NCR Voyix Corporation.
Unauthorized use, reproduction and/or distribution is strictly prohibited.