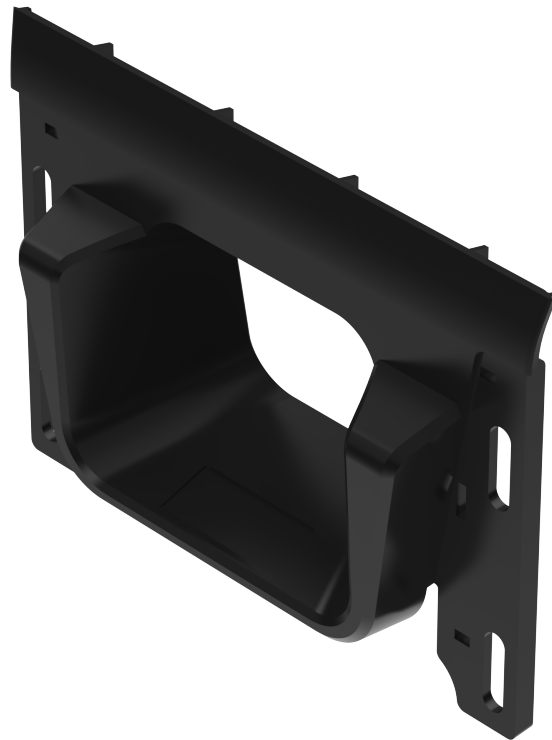




Kit Instructions

Bezel for Single Window Scanner (21.5" Portrait
Compatible)



7372-K093

Issue A

Copyright and Trademark Information

The product described in this document is a licensed product of NCR Voyix Corporation.

Product Type is a trademark of NCR Voyix Corporation in the United States and/or other countries. Other product names mentioned in this publication may be trademarks or registered trademarks of their respective companies and are hereby acknowledged.

Where creation of derivative works, modifications or copies of this NCR Voyix copyrighted documentation is permitted under the terms and conditions of an agreement you have with NCR Voyix, NCR Voyix's copyright notice must be included.

Disclaimer:

It is the policy of NCR Voyix Corporation to improve products as technology, components, software and firmware become available. NCR Voyix therefore reserves the right to change specifications without prior notice.

All features, functions and operations described herein may not be marketed by NCR Voyix in all parts of the world. In some instances, photographs are of equipment prototypes.

Therefore, before using this document, consult with your NCR Voyix representative or NCR Voyix office for information that is applicable and current.

© 2024

By NCR Voyix Corporation

Atlanta, Georgia, USA

All Rights Reserved

Table of Contents

Bezel for Single Window Scanner (21.5" Portrait Compatible)	5
Kit Contents	5
Required Tools	6
Installation Procedure	7

Revision Record

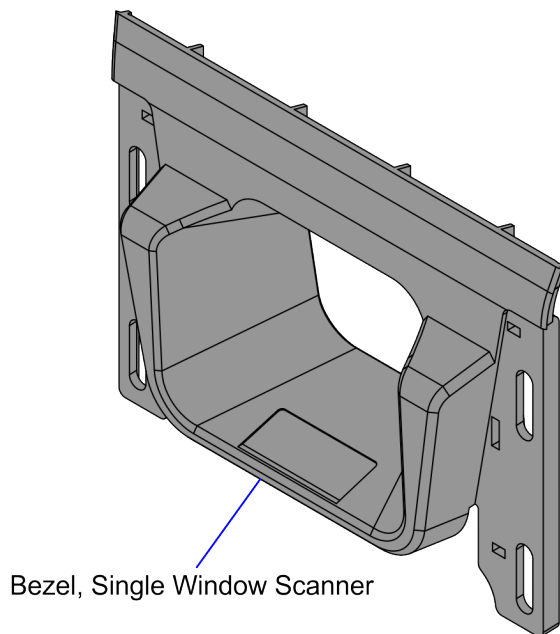
Publication issue	Date	Description of change
A	Oct 2024	First issue.

Bezel for Single Window Scanner (21.5" Portrait Compatible)

This publication provides procedures for installing the 7372-K093 Bezel for Single Window Scanner (21.5" Portrait Compatible) to either of the following 7372 NCR Voyix Self-Checkout units:

- 7372 NCR Voyix SCO Kiosk
- 7372 NCR Voyix SCO Tabletop

Kit Contents



CCP-84968

Part Number	Description
497-0538029	7372-K093 Bezel for Single Window Scanner (21.5" Portrait Compatible)
497-0538022	Bezel, Single Window Scanner

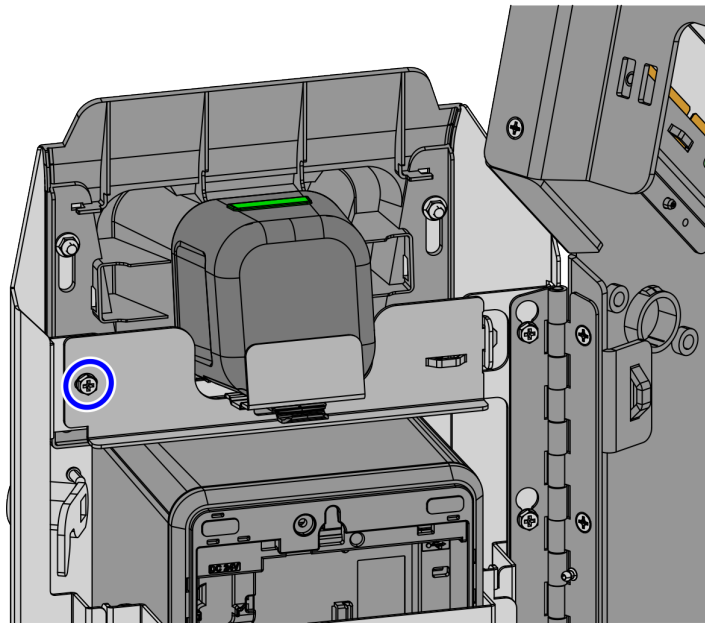
Required Tools

- Phillips screwdriver
- 7mm Hex Socket

Installation Procedure

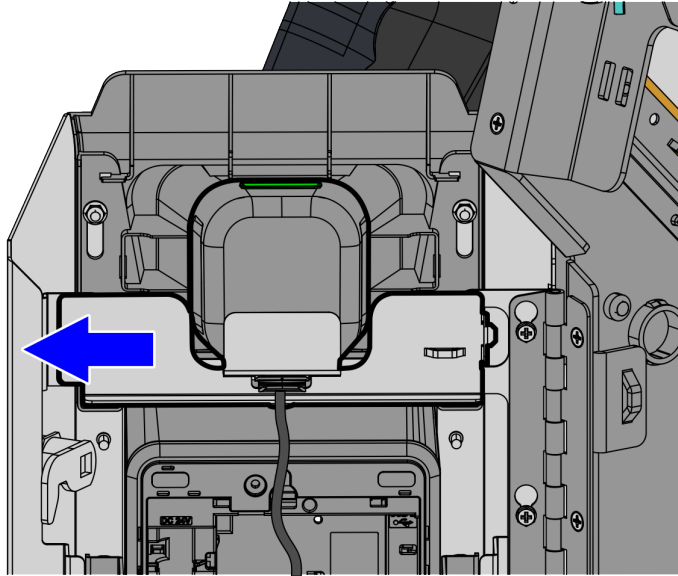
To install the 7372-K093 Bezel for Single Window Scanner (21.5" Portrait Compatible) follow these steps:

1. Turn off the Self-Checkout hardware and software systems.
2. Open the Tower Cabinet.
3. Do the following:
 - a. Remove one (1) screw to detach the Single Window Scanner assembly from the Tower Cabinet door, as shown in the image below.



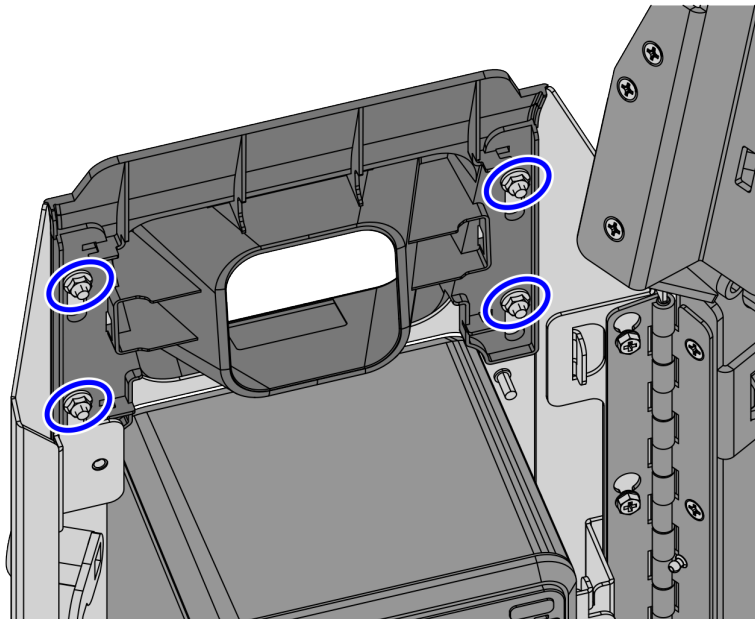
CCP-85004

- b. Slide the Single Window Scanner assembly to the left to disengage its tab from the slot of the Tower Cabinet door.



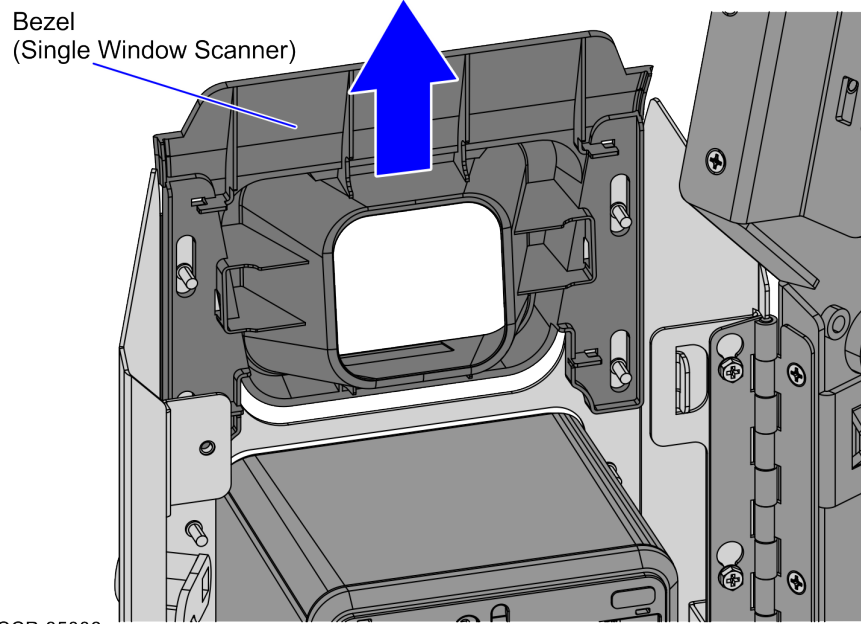
CCP-84373

- c. Place the Single Window Scanner assembly on the tabletop/counter.
4. Remove the existing Bezel for the Single Window Scanner by doing the following:
 - a. Remove four (4) nuts to detach the Bezel from the Tower Cabinet door.



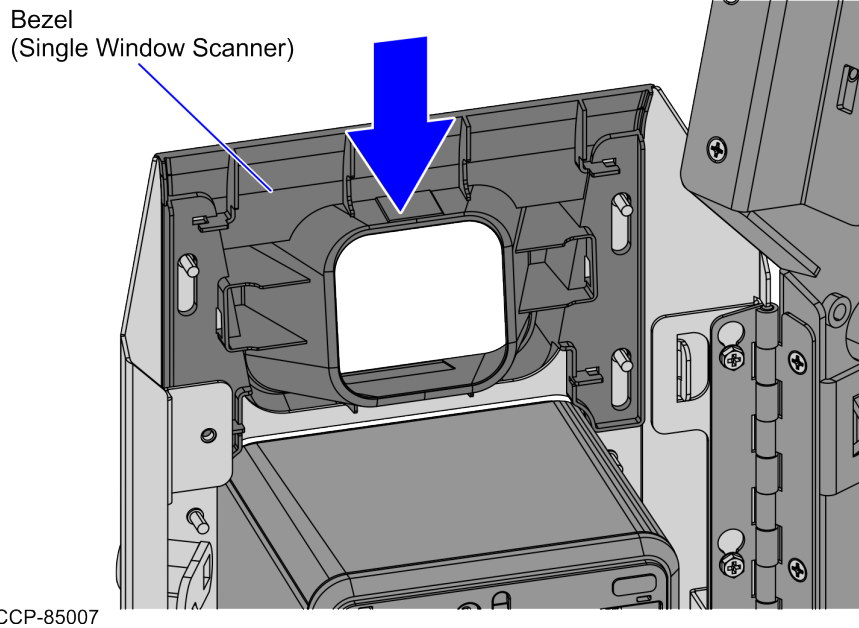
CCP-85005

b. Lift the Bezel up and out of the Tower Cabinet door.

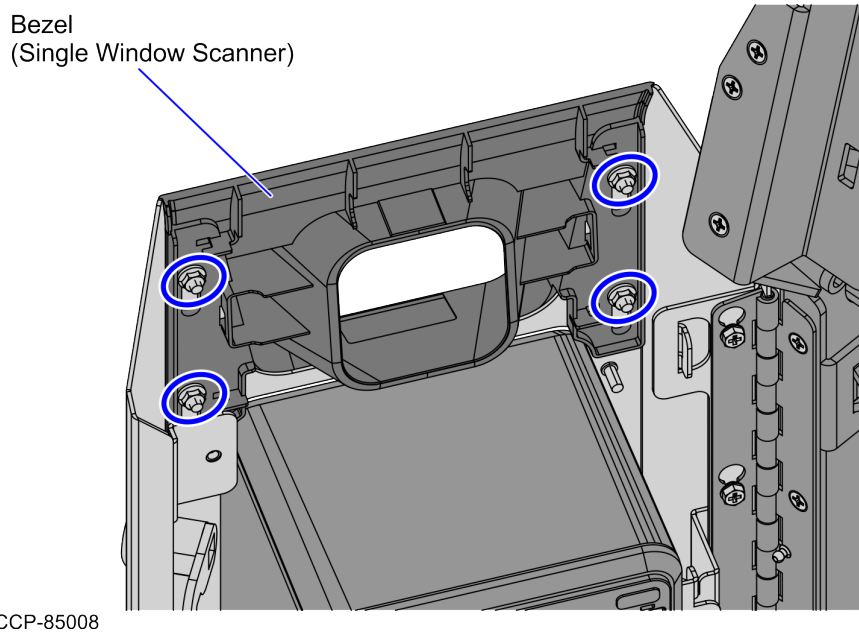


CCP-85006

5. Install the new Bezel for the Single Window Scanner by doing the following:
- Slide the new Bezel down and into the Tower Cabinet door, as shown in the image below.

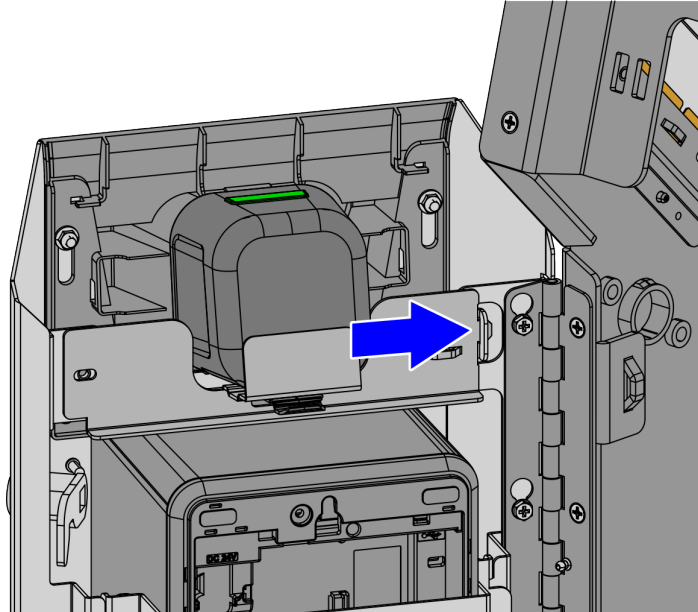


- Secure the Bezel to the Tower Cabinet door using four (4) nuts.



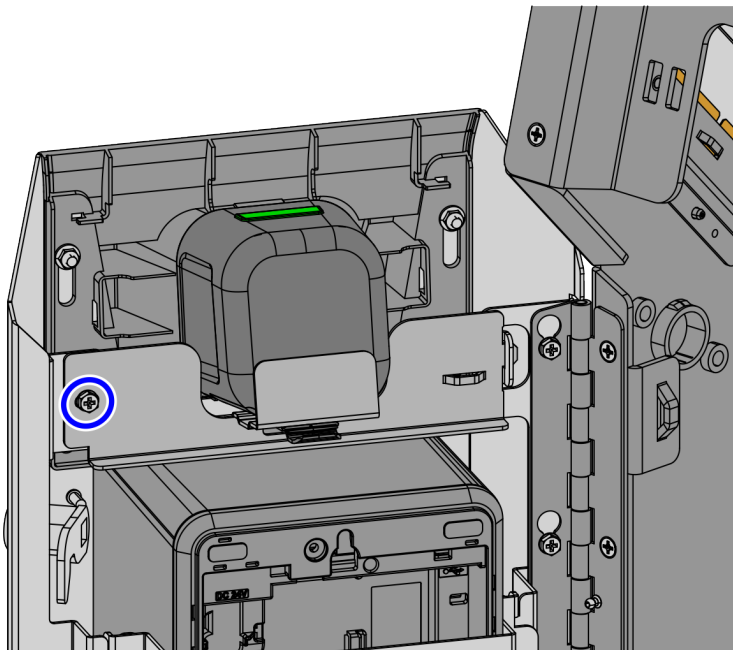
6. Do the following:

- a. Slide the Single Window Scanner assembly to the right to engage its tab into the slot of the Tower Cabinet door, as shown in the image below.



CCP-85009

- b. Secure the Single Window Scanner assembly to the Tower Cabinet door using one (1) screw.



CCP-85010