



# Kit Instructions

## 21.5" Display Bracket (Kiosk)

---



7372-K091

Issue A

# Copyright and Trademark Information

---

The product described in this document is a licensed product of NCR Voyix Corporation.

Product Type is a trademark of NCR Voyix Corporation in the United States and/or other countries. Other product names mentioned in this publication may be trademarks or registered trademarks of their respective companies and are hereby acknowledged.

Where creation of derivative works, modifications or copies of this NCR Voyix copyrighted documentation is permitted under the terms and conditions of an agreement you have with NCR Voyix, NCR Voyix's copyright notice must be included.

Disclaimer:

It is the policy of NCR Voyix Corporation to improve products as technology, components, software and firmware become available. NCR Voyix therefore reserves the right to change specifications without prior notice.

All features, functions and operations described herein may not be marketed by NCR Voyix in all parts of the world. In some instances, photographs are of equipment prototypes.

Therefore, before using this document, consult with your NCR Voyix representative or NCR Voyix office for information that is applicable and current.

© 2024

By NCR Voyix Corporation

Atlanta, Georgia, USA

All Rights Reserved

# Table of Contents

---

<b>21.5" Display Bracket (Kiosk)</b> .....	<b>5</b>
Kit Contents .....	5
Required Tools .....	6
Installation Procedures .....	7
Removing the Terminal Display .....	8
Installing the Display Bracket (Landscape) .....	11
Installing the Display Bracket (Portrait) .....	12
Installing the 21.5" Terminal Display(Landscape) .....	17
Installing the 21.5" Terminal Display (Portrait) .....	20

# Revision Record

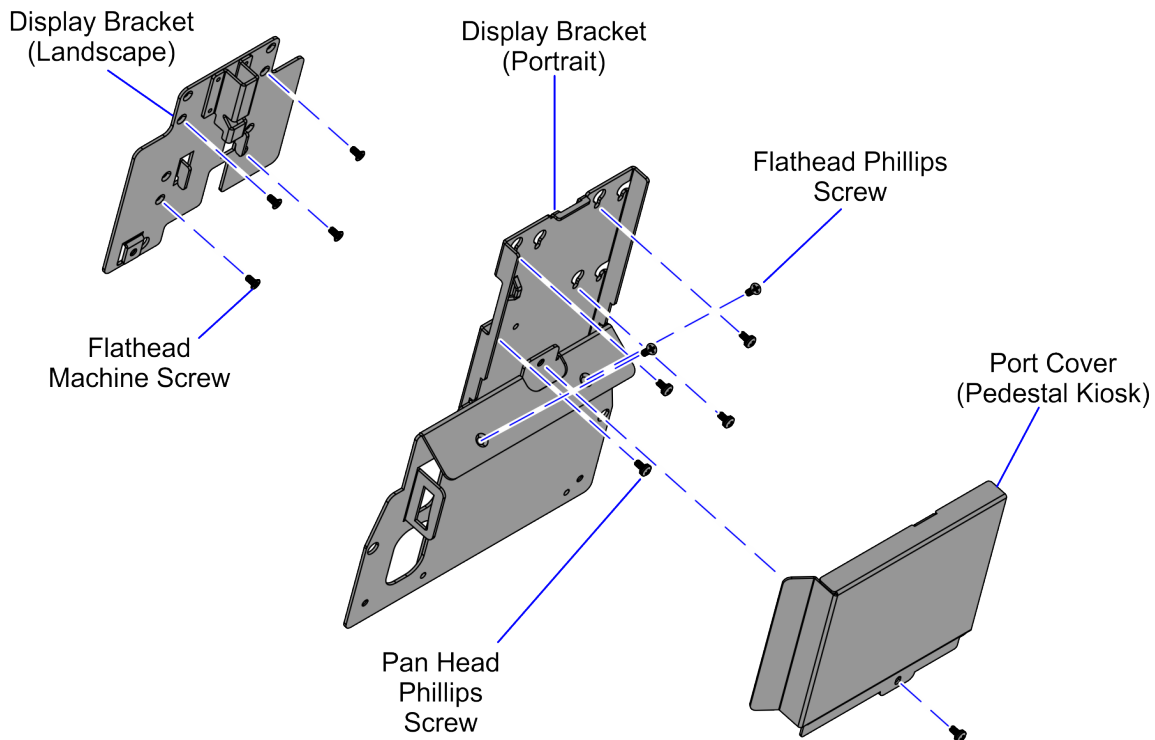
---

Publication issue	Date	Description of change
A	Oct 2024	First issue.

# 21.5" Display Bracket (Kiosk)

The 7372-K091 21.5" Display Bracket (Kiosk) allows the installation of the Terminal Display in landscape orientation or portrait orientation. This publication provides procedures for installing this kit to the 7372 NCR Voyix SCO Kiosk unit.

## Kit Contents



CCP-84940

Part Number	Description
497-0537509	7372-K091 21.5" Display Bracket Kiosk Pedestal
006-8622623	Screw, M4 X 10, Flat Head, Phillips, Black Oxide (2 Pcs)
006-8622885	Screw, M4-0.7 X 8Mm Flt Hd, Machine, Knurled Head, Steel, Black Oxide (4 Pcs)
006-8627600	Screw – M4X8, Phillips Cross Recessed Pan Head Machine Screw With External Tooth Lock Washer Black Zinc (5 Pcs)

Confidential and proprietary information of NCR Voyix.  
Use and disclose solely pursuant to company instructions.

Part Number	Description
497-0537002	21.5 " Display Bracket - Landscape
497-0537713	Display Bracket - Portrait
497-0537715	Port Cover - Pedestal Kiosk

\* Items marked with an asterisk are not called out on the image.

## Required Tools

- Phillips screwdriver
- Allen key no. 3
- 7mm Hex Socket

# Installation Procedures

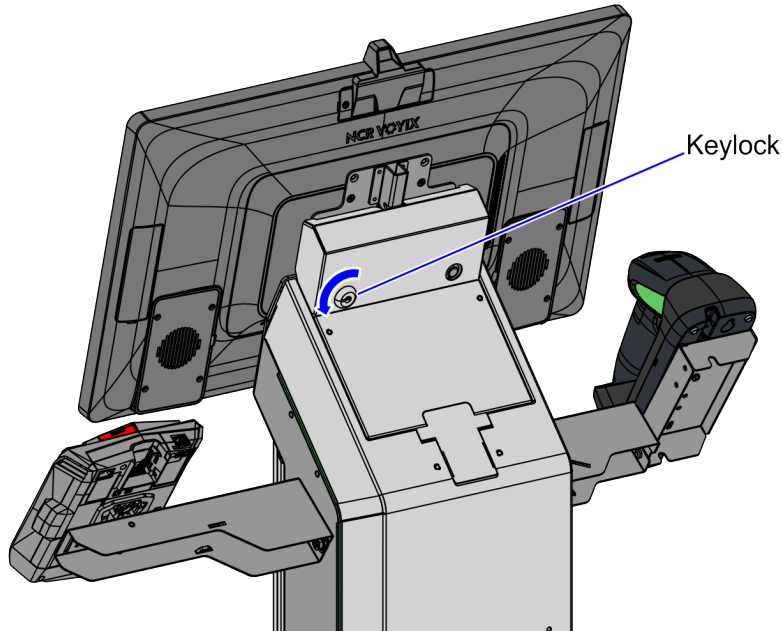
To install the 7372-K091 21.5" Display Bracket Kiosk, follow these steps:

1. Remove the primary Terminal Display. For more information, refer to "[Removing the Terminal Display](#)" on the next page.
2. Install the Display Bracket. Depending on the Terminal Display orientation, refer to either of the following:
  - "[Installing the Display Bracket \(Landscape\)](#)" on page 11.
  - "[Installing the Display Bracket \(Portrait\)](#)" on page 12.
3. Install the Terminal Display. For more information, refer to either of the following:
  - "[Installing the 21.5" Terminal Display\(Landscape\)](#)" on page 17
  - "[Installing the 21.5" Terminal Display \(Portrait\)](#)" on page 20

# Removing the Terminal Display

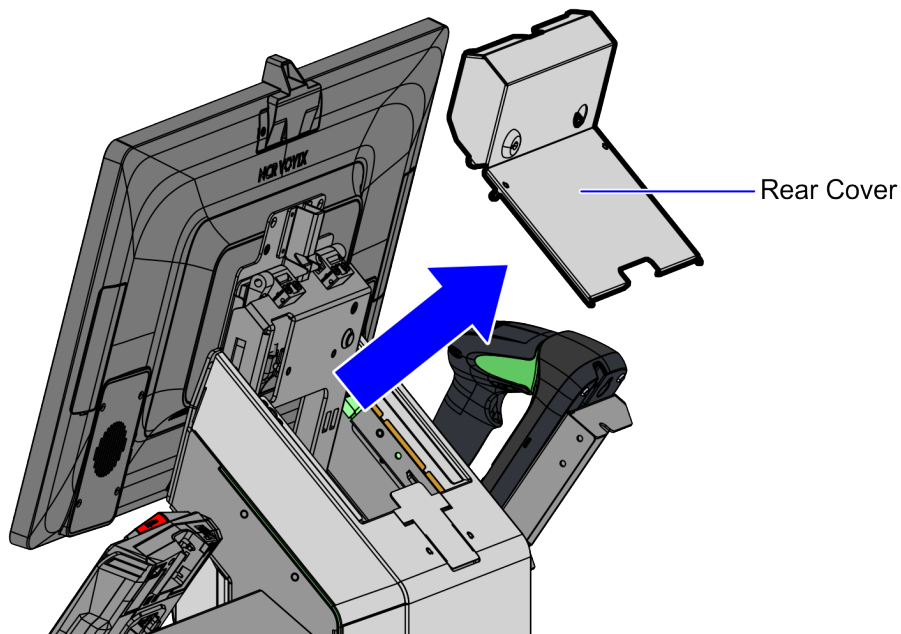
To remove the Terminal Display, follow these steps:

1. Turn off the NCR Voyix Self-Checkout software and hardware systems.
2. Unlock the Rear Cover of the Tower Cabinet using a key.



CCP-84429

3. Remove the Rear Cover from the Tower Cabinet.

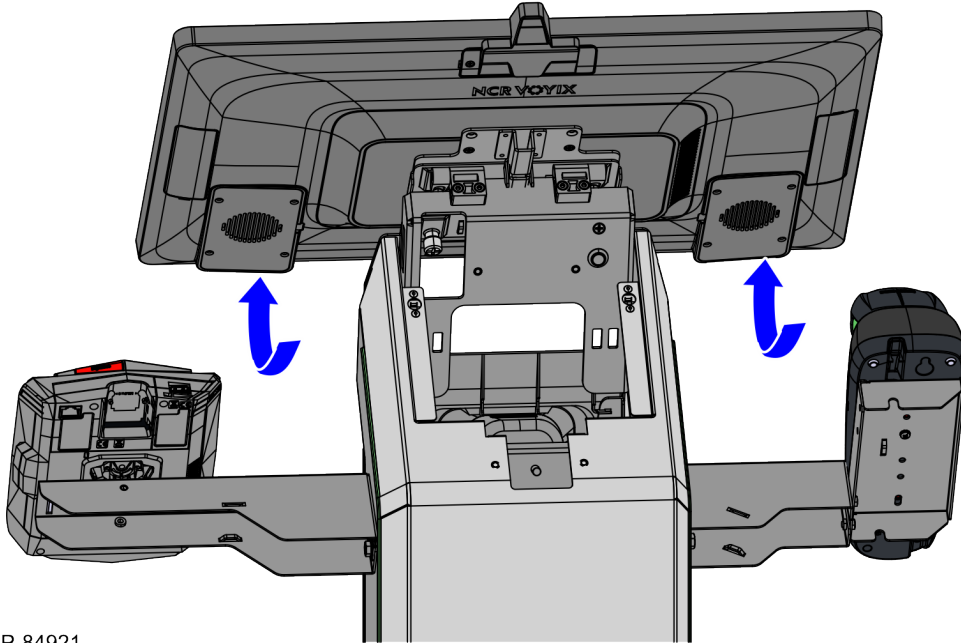


CCP-84430

Confidential and proprietary information of NCR Voyix.  
Use and disclose solely pursuant to company instructions.



4. Lift the Terminal Display, as shown in the image below.



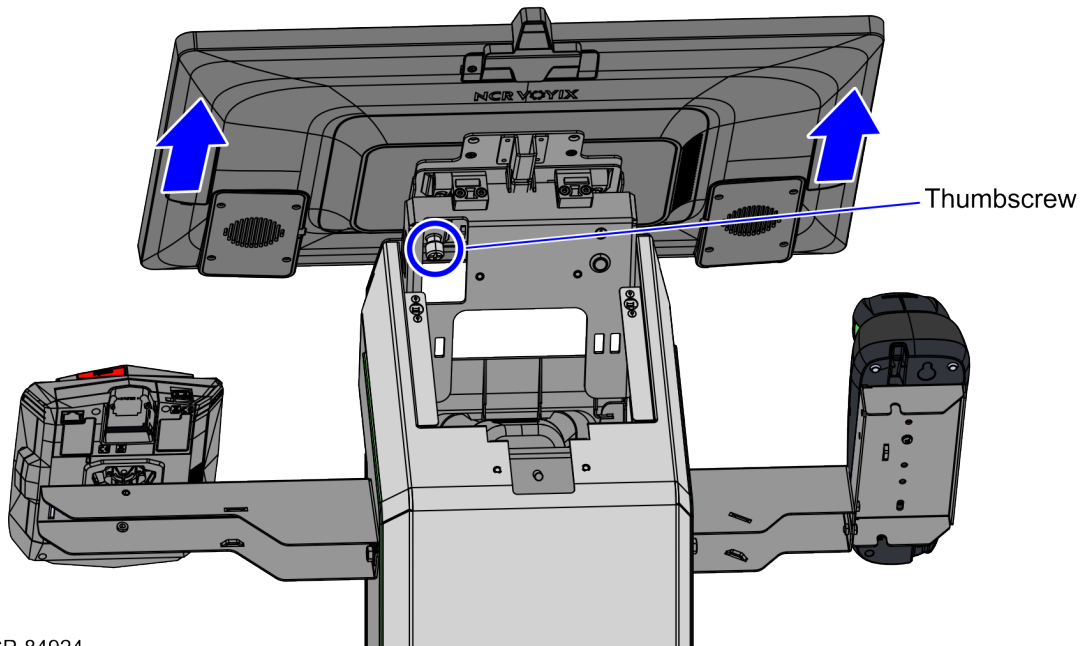
CCP-84921

5. Disconnect the cables from the Terminal Display.

 **Tip**

Mark all cables as to where they are connected to quickly determine the corresponding port when reconnecting the cables.

6. Loosen the thumb screw and slide the Terminal Display up to remove it from the Display Support, as shown in the image below.

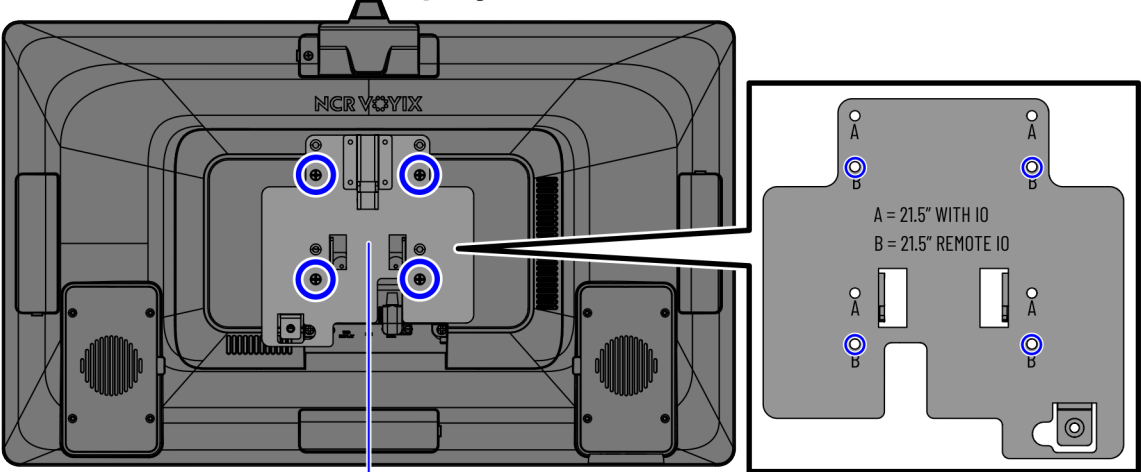


CCP-84924

# Installing the Display Bracket (Landscape)

Install the Display Bracket (Landscape) on the 7772 21.5" Terminal Display with Remote I/O using four (4) screws, as shown in the image below.

## 7772 21.5" Terminal Display with Remote I/O



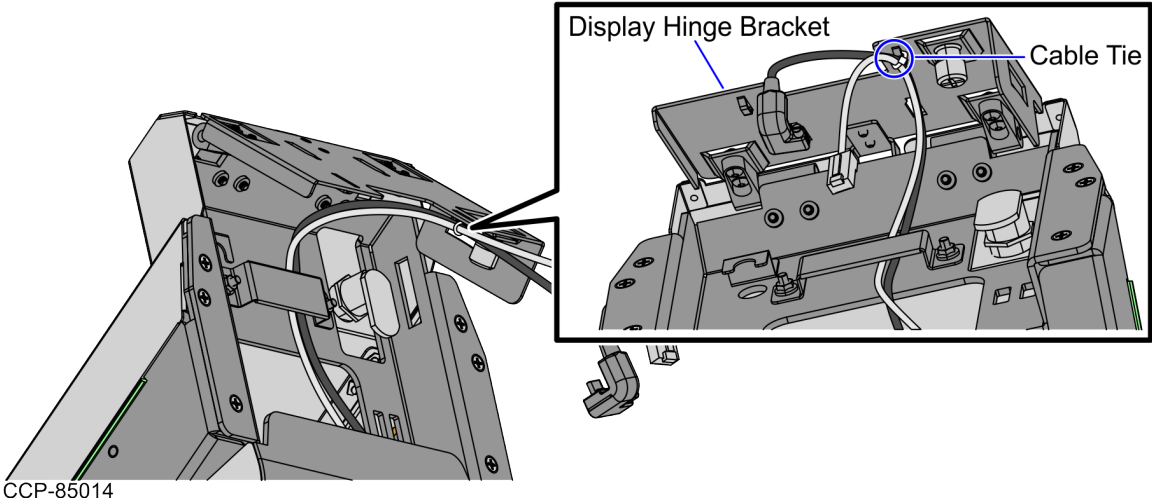
Display Bracket (Landscape)

CCP-84969

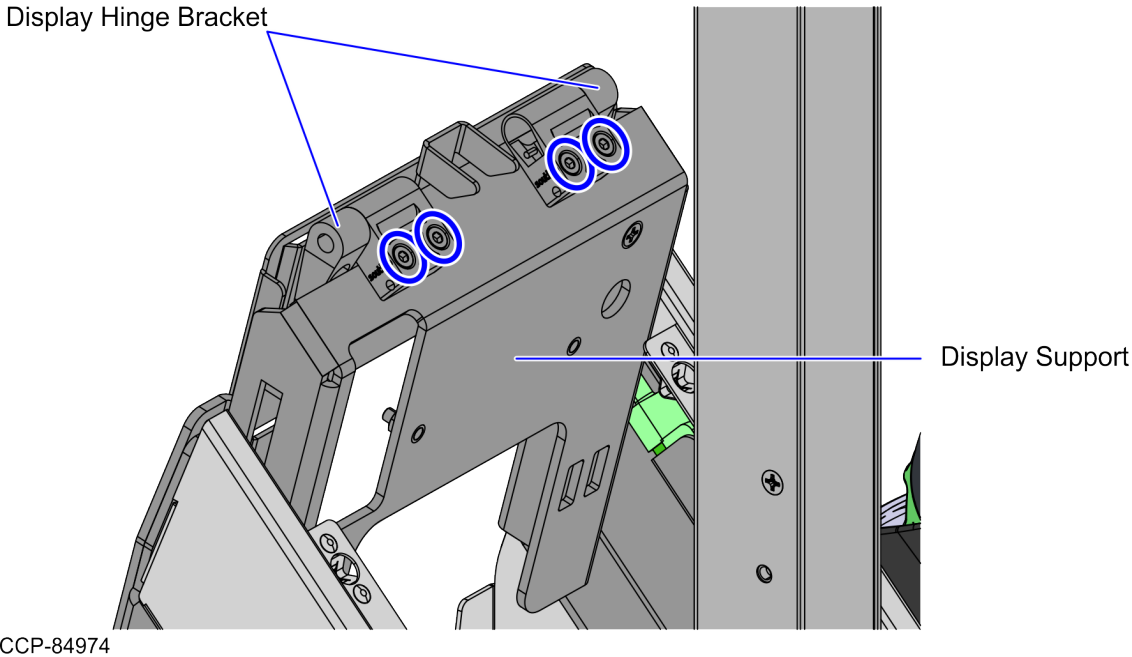
# Installing the Display Bracket (Portrait)

To install the Display Bracket on the 7772 21.5" Terminal Display with Remote I/O, follow these steps:

- 1. Remove a cable tie to detach the cables from the Display Hinge Bracket.



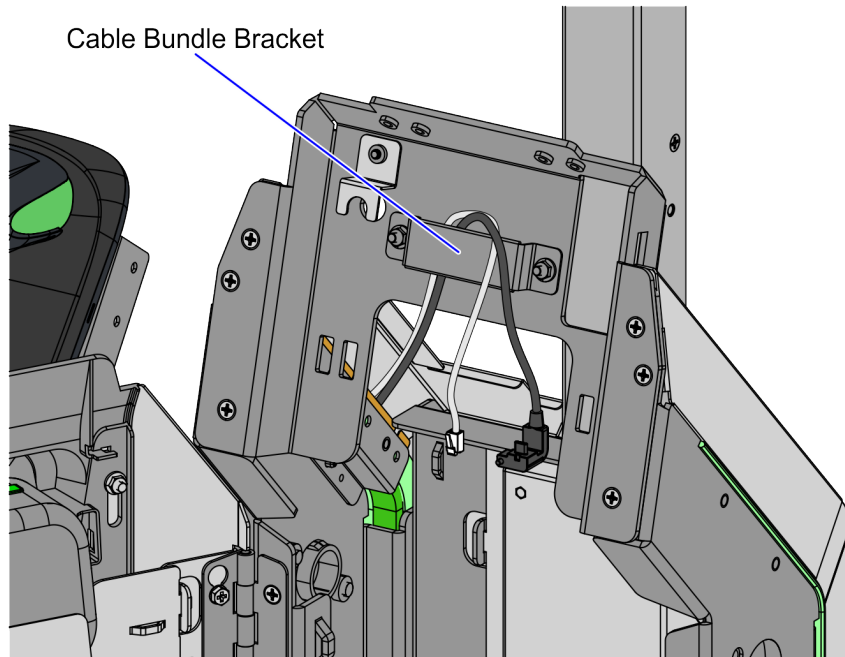
- 2. Detach the Display Hinge Bracket from the Display Support by removing four (4) screws, as shown in the image below.



3. Detach the Cable Bundle Bracket from the Display Support by removing two (2) nuts, as shown in the image below.


**Note**

Removing the Cable Bundle Bracket shortens the route of the cables to provide enough length to reach the display ports.

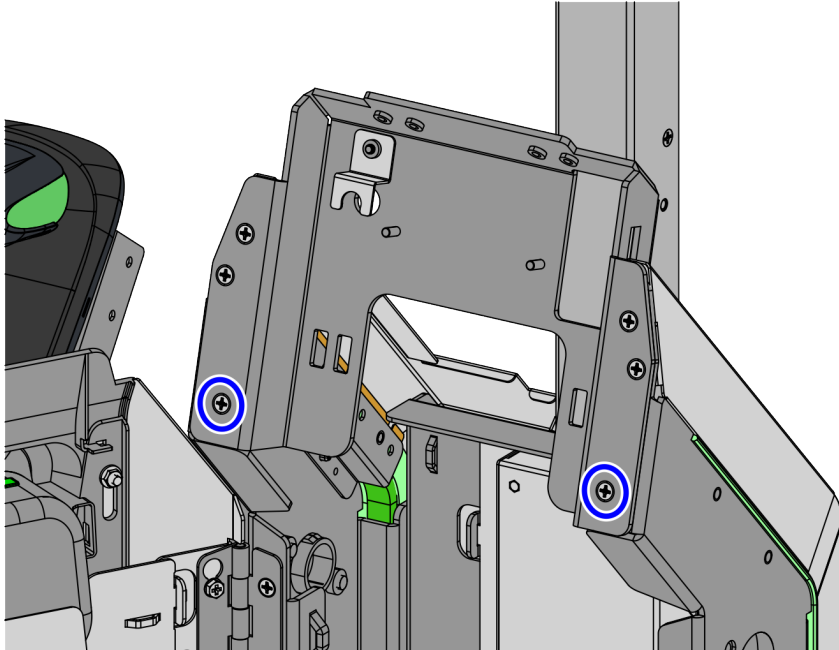


CCP-85011

4. Remove two (2) screws from the Display Support, as shown in the image below.

 **Note**

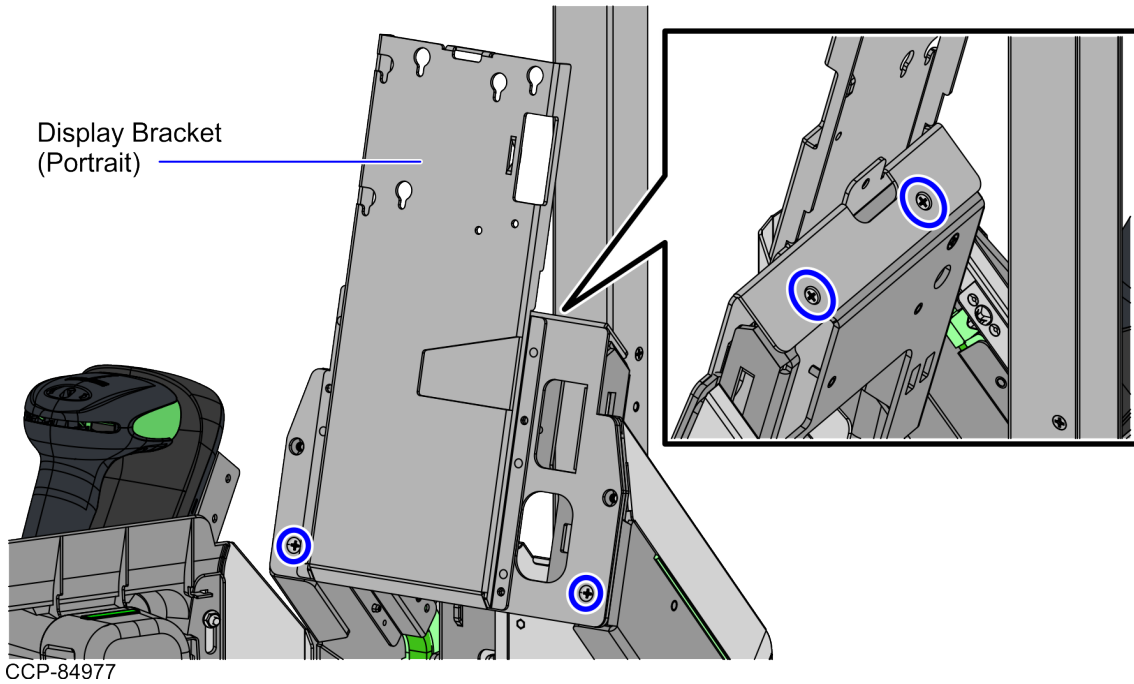
Ensure to set aside the removed screws. These will be reused when installing the Display Bracket (Portrait).



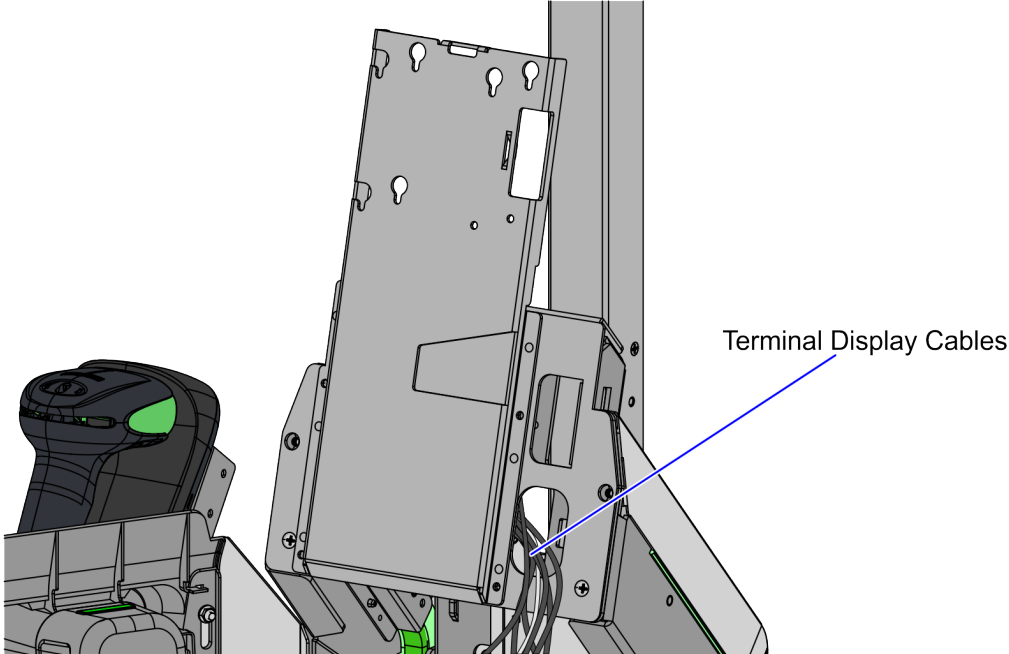
CCP-84976

5. Do the following:

- i. Secure the Display Bracket (Portrait) on the front of the Display Support using two (2) screws. Make adjustments to ensure that the Cabinet Door does not interfere with the Display Bracket (Portrait).
- ii. Secure the Display Bracket (Portrait) at the top of the Display Support using two (2) screws, as shown in the image below.



6. Route the Terminal Display cables through the cable hole on the Display Bracket (Portrait).



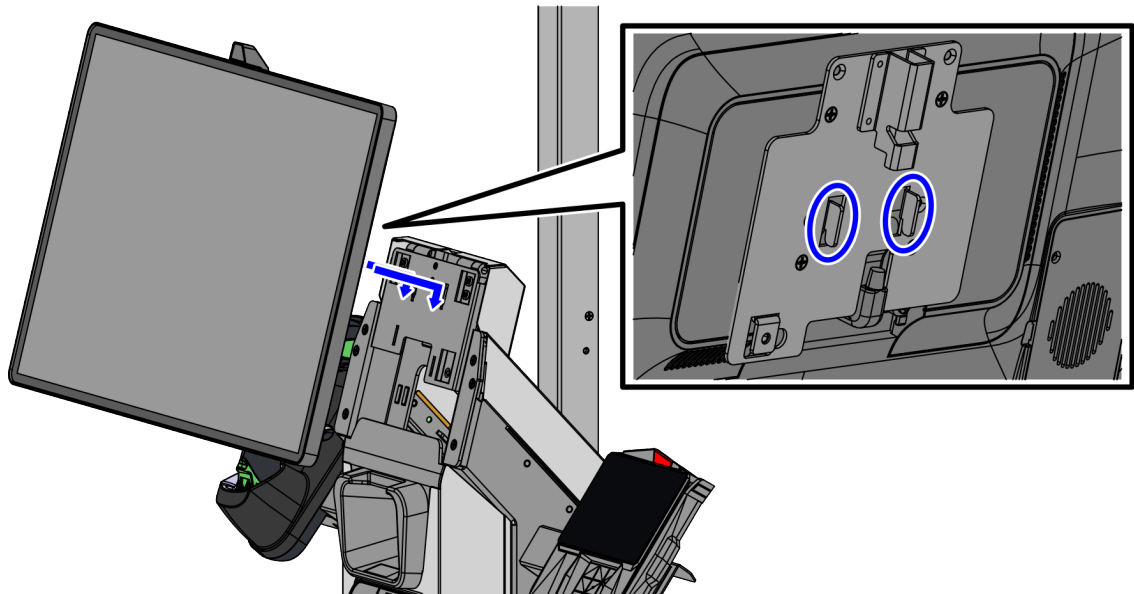
CCP-84978



# Installing the 21.5" Terminal Display (Landscape)

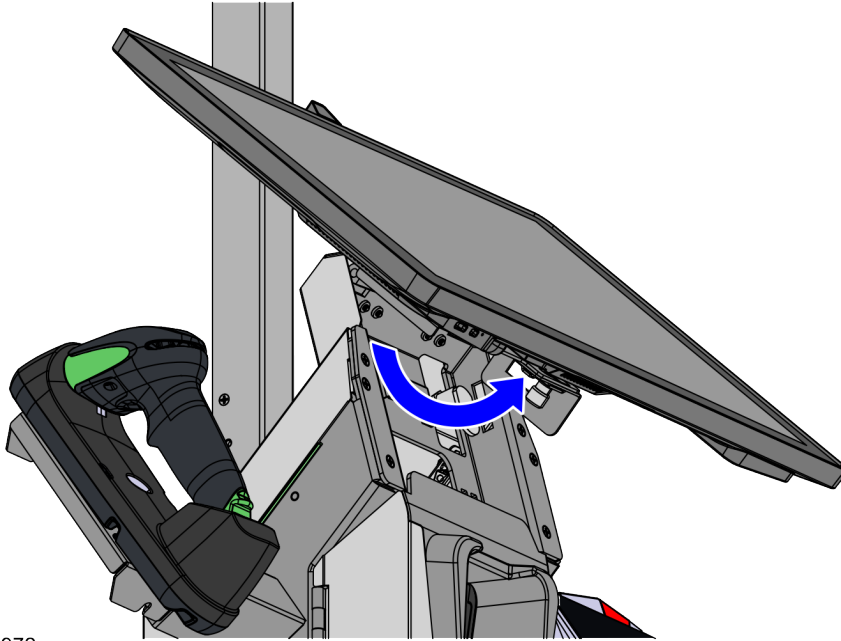
To install the Terminal Display in landscape orientation on the 7372 NCR Voyix SCO Kiosk unit, follow these steps:

1. Install the Display Bracket (Landscape).
2. Insert the hooks on the Display Bracket at the back of the Terminal Display into the corresponding holes on the Display Support Bracket, as shown in the image below.



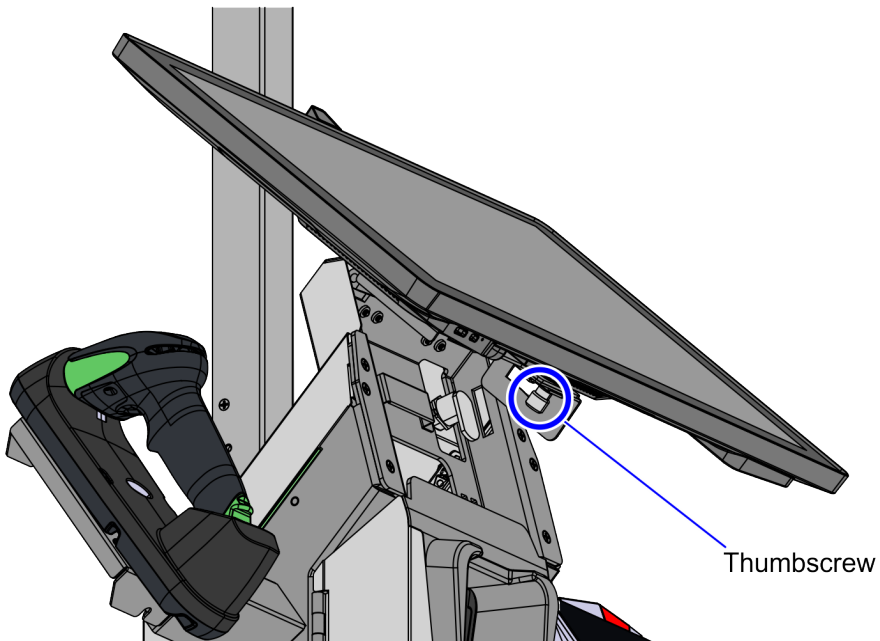
CCP-84971

3. Lift the Terminal Display, as shown in the image below.



CCP-84972

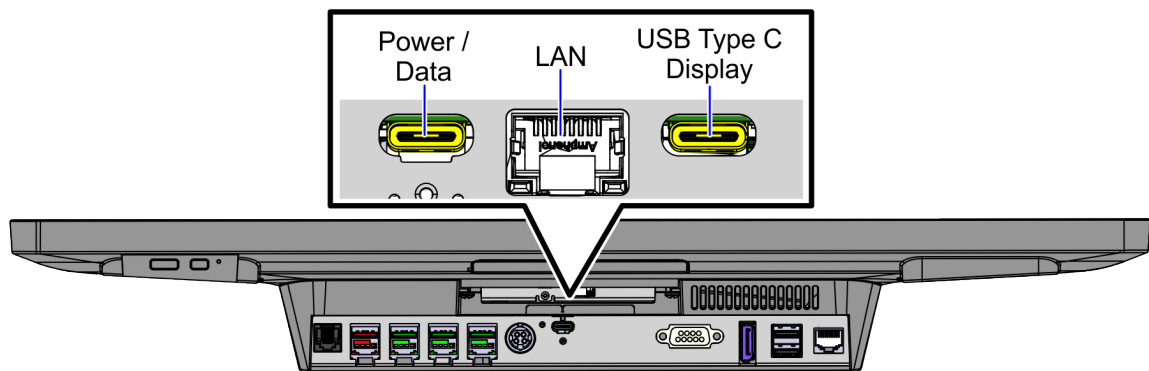
4. Tighten one (1) thumbscrew to secure the Terminal Display on the Display Hinge Bracket.



CCP-84973

5. Connect the cables to the corresponding Terminal Display ports.

Pre-routed cables	CX7 Terminal Display Ports
Display cable	USB Type-C Port A (Power/Data) <div style="border: 1px solid black; background-color: #e0f2e0; padding: 5px; margin-top: 10px;"> <p><b>Note</b> Tighten the screw on the USB connector.</p> </div>
Network cable	LAN

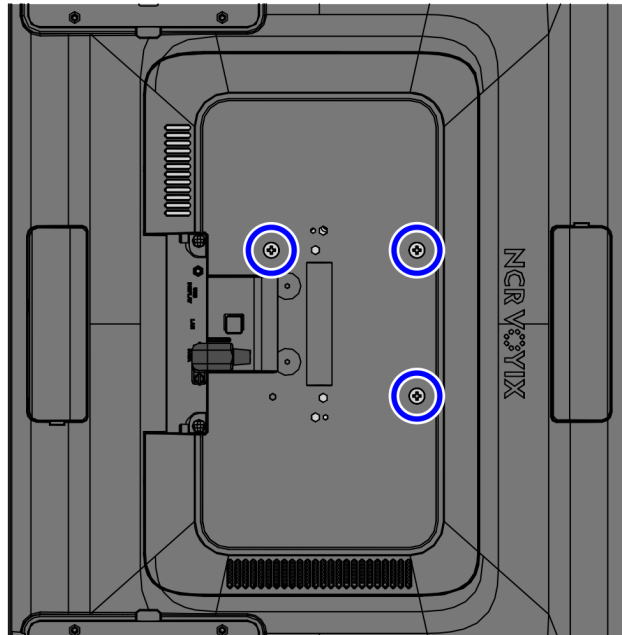


CCP-85001

# Installing the 21.5" Terminal Display (Portrait)

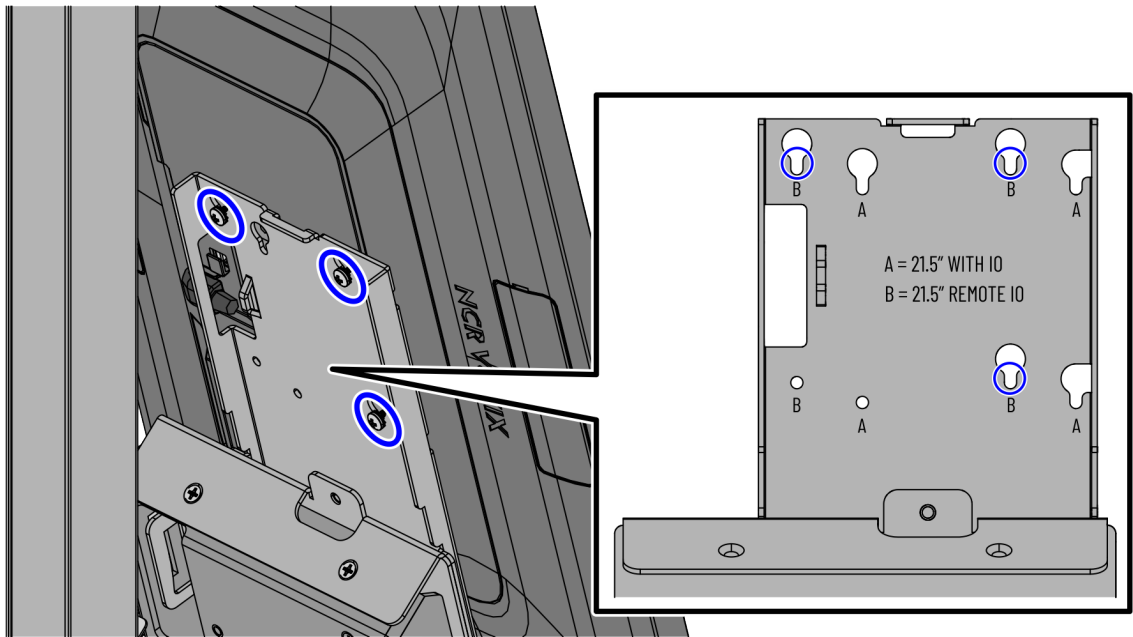
To install the Terminal Display in portrait orientation on an 7372 NCR Voyix SCO Kiosk unit, follow these steps:

1. Install the Display Bracket (Portrait).
2. Partially insert three (3) screws on the Terminal Display.

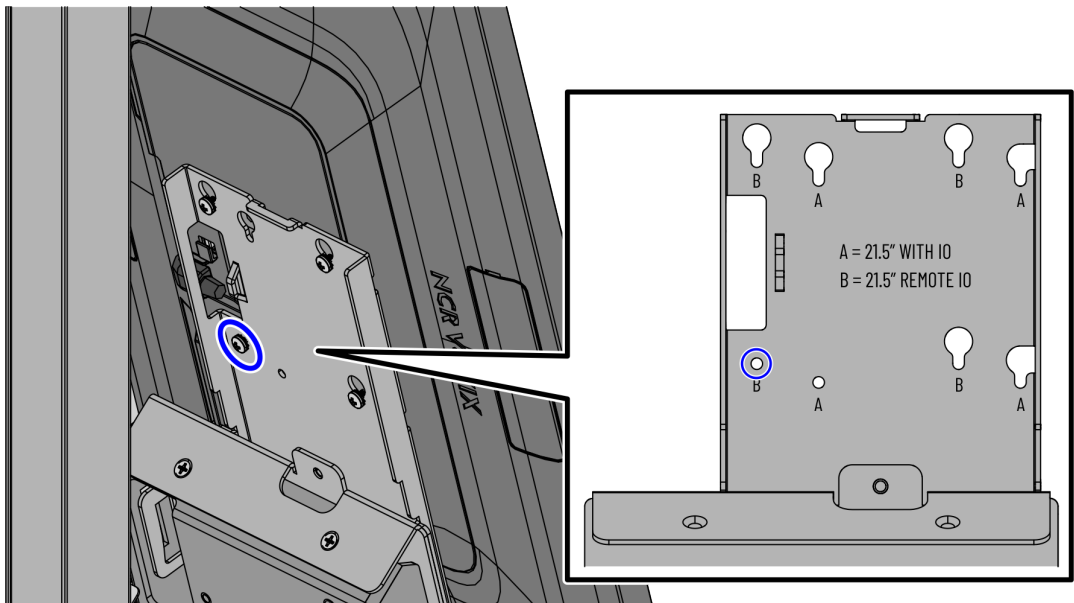


CCP-84979

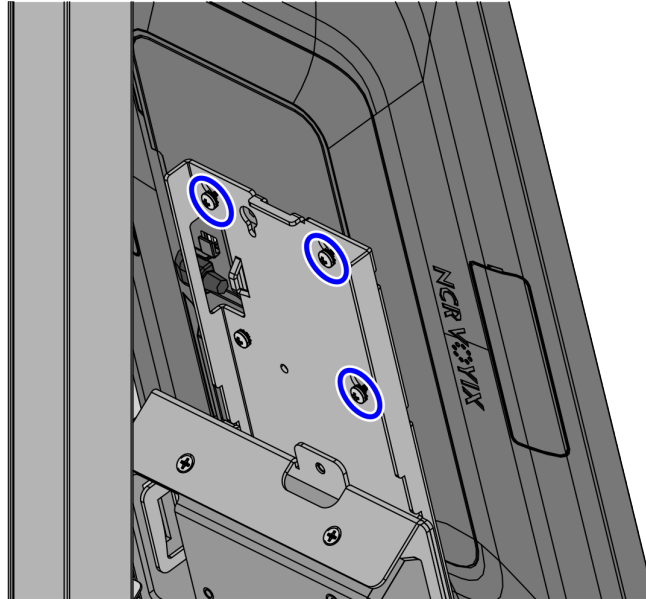
3. Slide the Terminal Display down the Display Bracket (Portrait) by inserting the partially threaded screws into the corresponding holes, as shown in the image below.



4. Secure the Terminal Display on the Display Bracket (Portrait) by doing the following:
  - a. Insert and tighten one (1) screw, as shown in the image below.



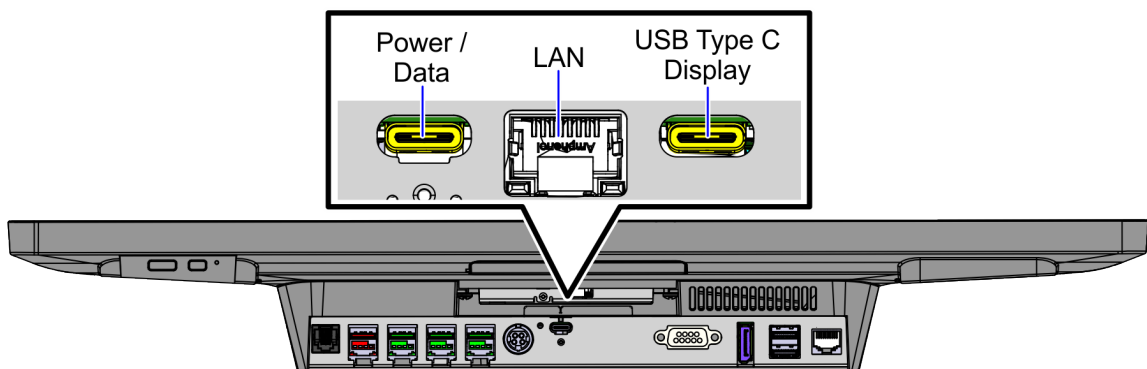
b. Tighten the three (3) partially threaded screws.



CCP-84982

5. Connect the cables to the corresponding Terminal Display ports.

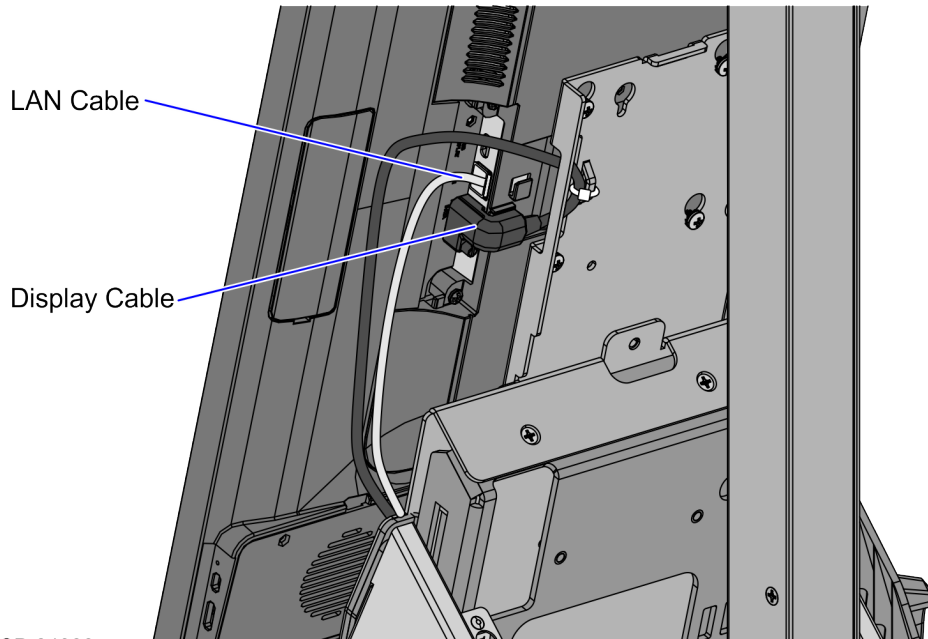
Pre-routed cables	CX7 Terminal Display Ports
Display cable	USB Type-C Port A (Power/Data)  <b>Note</b> Tighten the screw on the USB connector.
Network cable	LAN



CCP-85001

Confidential and proprietary information of NCR Voyix.  
Use and disclose solely pursuant to company instructions.

6. Secure the Display cable using a cable tie to the lance bridge, as shown in the image below.



7. Install the Port Cover using one (1) screw.

