



Kit Instructions

Power Supply Bracket for Secondary Display (XL15)



7372-K062

Issue A

Copyright and Trademark Information

The product described in this document is a licensed product of NCR Voyix Corporation.

NCR Voyix SCO Hardware is a trademark of NCR Voyix Corporation in the United States and/or other countries. Other product names mentioned in this publication may be trademarks or registered trademarks of their respective companies and are hereby acknowledged.

Where creation of derivative works, modifications or copies of this NCR copyrighted documentation is permitted under the terms and conditions of an agreement you have with NCR, NCR's copyright notice must be included.

Disclaimer:

It is the policy of NCR Voyix Corporation to improve products as technology, components, software and firmware become available. NCR Voyix therefore reserves the right to change specifications without prior notice.

All features, functions and operations described herein may not be marketed by NCR Voyix in all parts of the world. In some instances, photographs are of equipment prototypes.

Therefore, before using this document, consult with your NCR Voyix representative or NCR Voyix office for information that is applicable and current.

© 2024

By NCR Voyix Corporation

Atlanta, Georgia, USA

All Rights Reserved

Revision Record

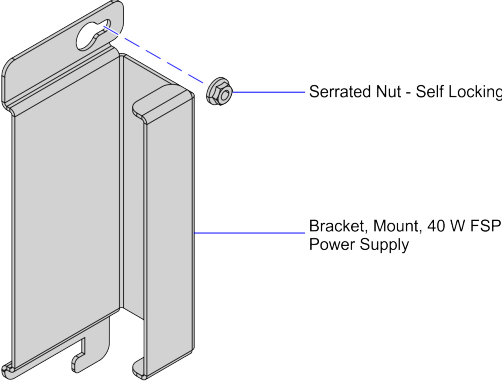
Issue	Date	Remarks
A	Mar 2024	First issue.

7372-K062 Power Supply Bracket for Secondary Display (XL15)

The Power Supply Bracket holds the 40 W Power Supply used for the Secondary Display (XL15). This publication provides instructions for installing the Power Supply Bracket on the 7372 SCO Kiosk unit.

Note
The 40 W Power Supply and power cables are not included in the kit.

Kit Contents



CCP-84326

Part Number	Description
497-0535629	7372-K062 Power Supply Bracket, Secondary Display (XL15)
497-0535807	Bracket, Mount, 40 W FSP Power Supply
006-8628727	Serrated Nut - Self Locking (M4, 4.2)
* 497-0423108	Instructions-Kit (Reference Sheet)

* Items marked with an asterisk are not called out on the image.

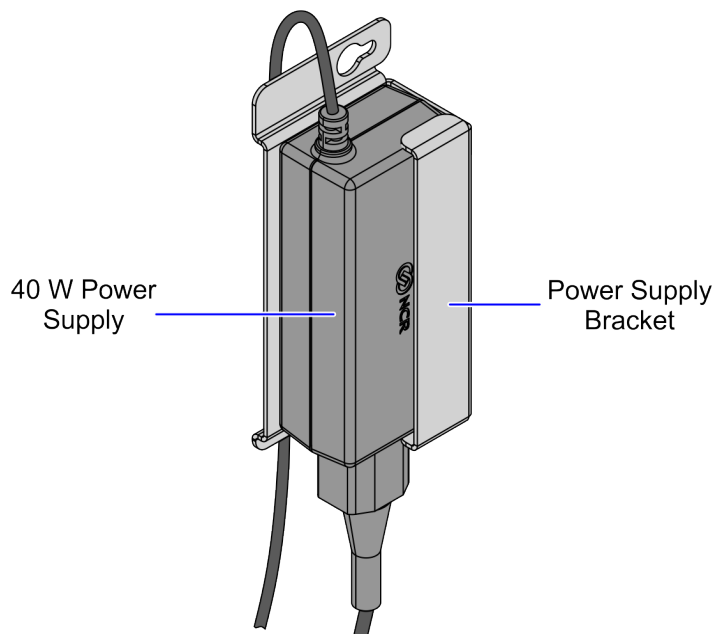
Installation Procedure

To install the Power Supply Bracket, follow these steps:

1. Remove the existing Power Supply Bracket, if necessary. For more information, refer to "Removing the Power Supply bracket" on page 8.
2. Place the 40 W Power Supply into the Power Supply bracket.

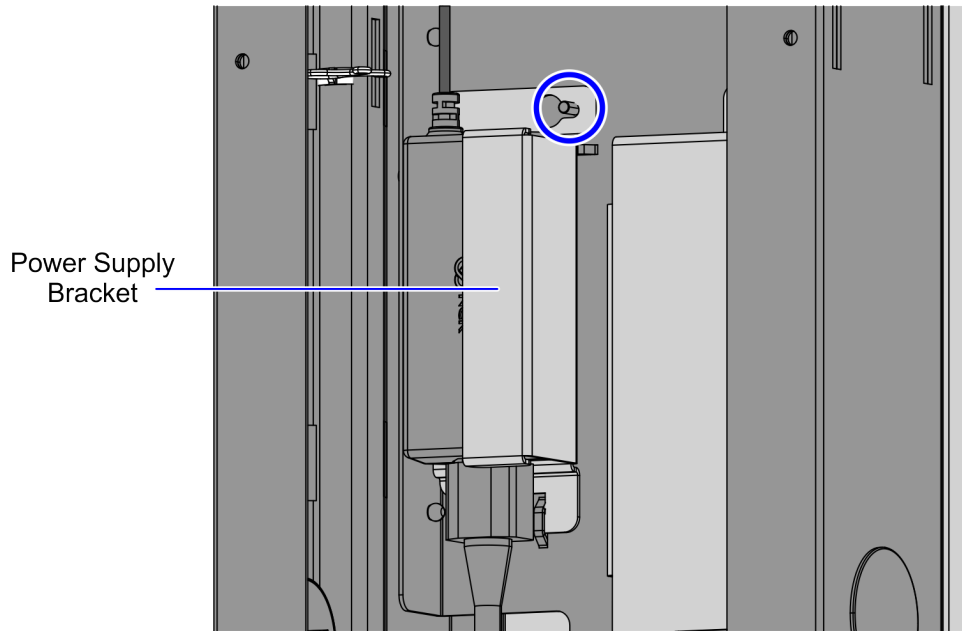
Note

Ensure to follow correct orientation of the Power Supply, as shown in the image below.



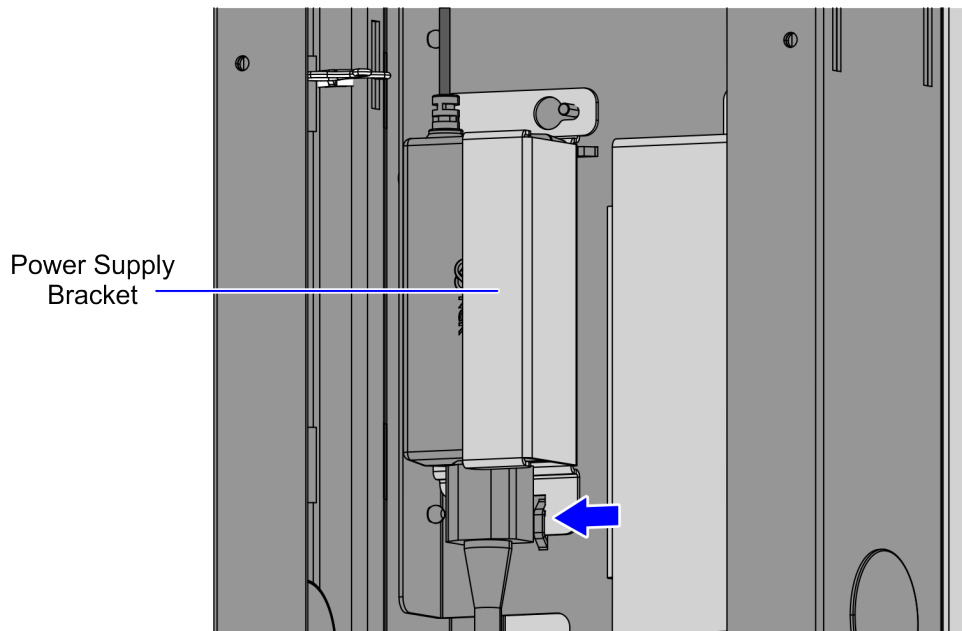
CCP-84328

3. Mount the Power Supply assembly by engaging the keyhole on the bracket onto the stud on the rear cabinet wall, as shown in the image below.



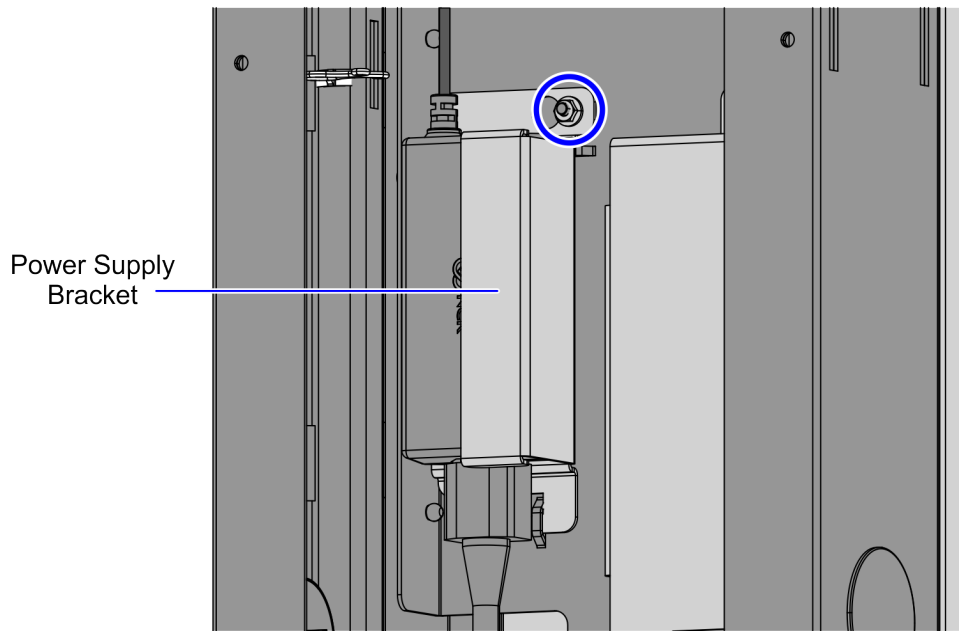
CCP-84329

4. Engage the hook on the lower part of the bracket into the lance bridge on the rear cabinet wall, as shown in the image below.



CCP-84330

5. Secure the Power Supply assembly using one (1) nut.



CCP-84331

6. Route the Power Supply cables. For more information, refer to "Routing the 40 W Power Supply cable" on page 10.

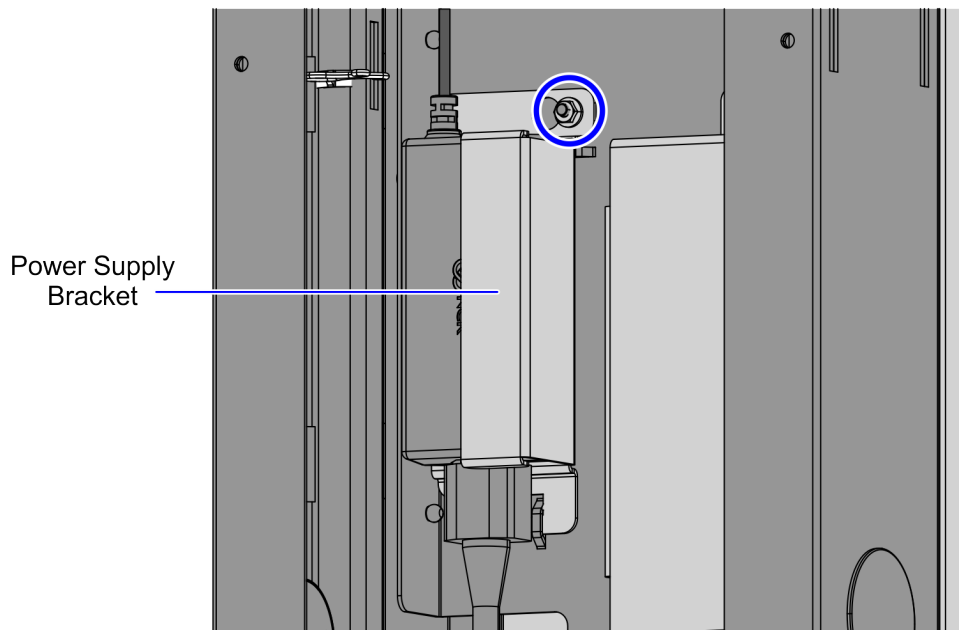
Note

The Power Supply cables are not included in the kit.

Removing the Power Supply bracket

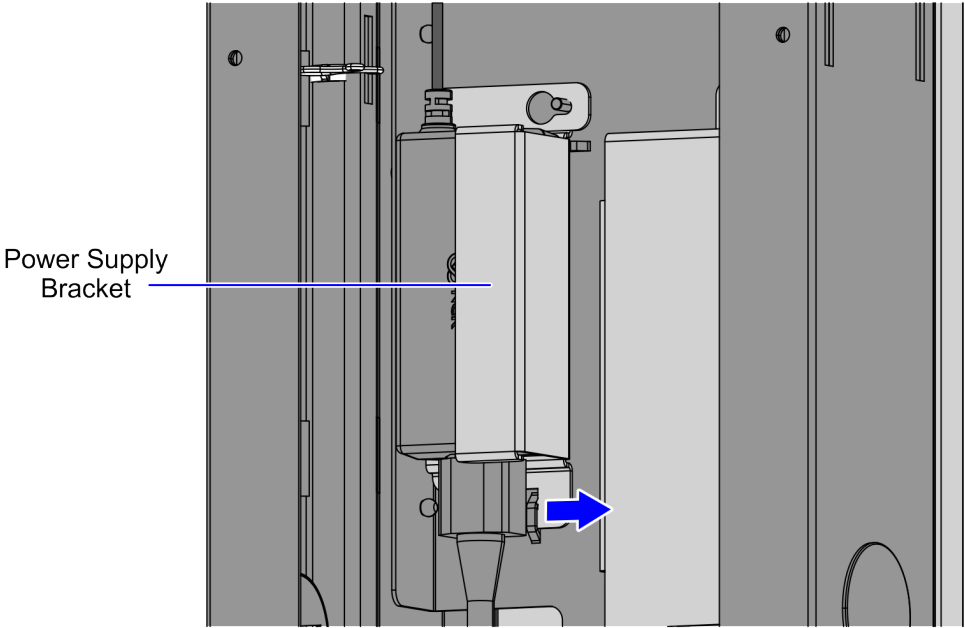
To remove the Power Supply Bracket, follow these steps:

1. Turn off the NCR Self-Checkout hardware and software systems.
2. Open the Pedestal Cabinet. For more information, refer to "Opening the Pedestal Cabinet" on page 13.
3. Remove one (1) nut to detach the Power Supply assembly from the rear cabinet wall, as shown in the image below.



CCP-84331

- 4. Disengage the Power Supply assembly from the lance bridge of the rear cabinet wall, as shown in the image below.



CCP-84337

- 5. Disconnect the cables.

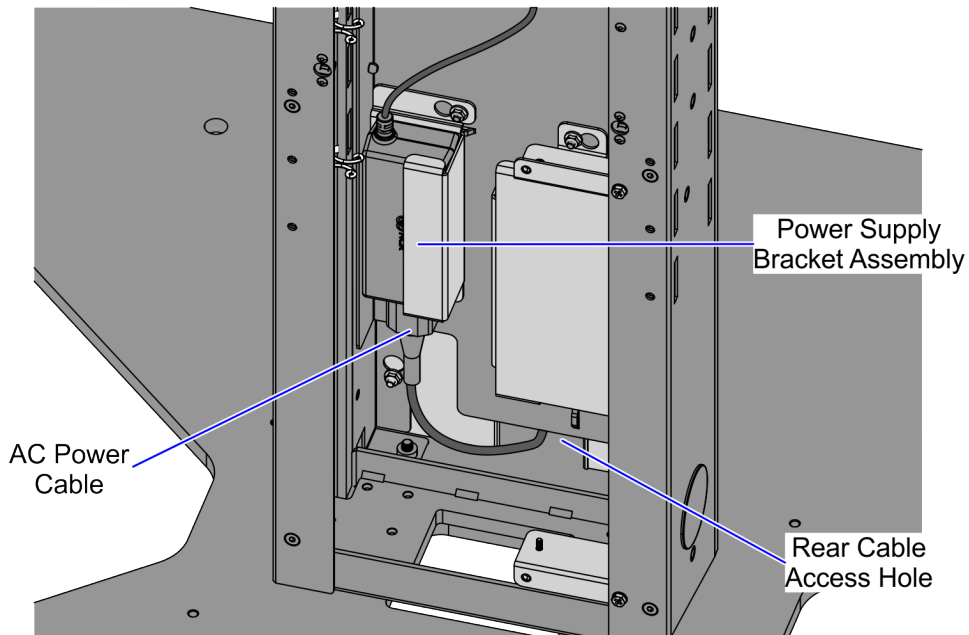
Routing the 40 W Power Supply cable

To route the 40 W Power Supply cable, follow these steps:

Note

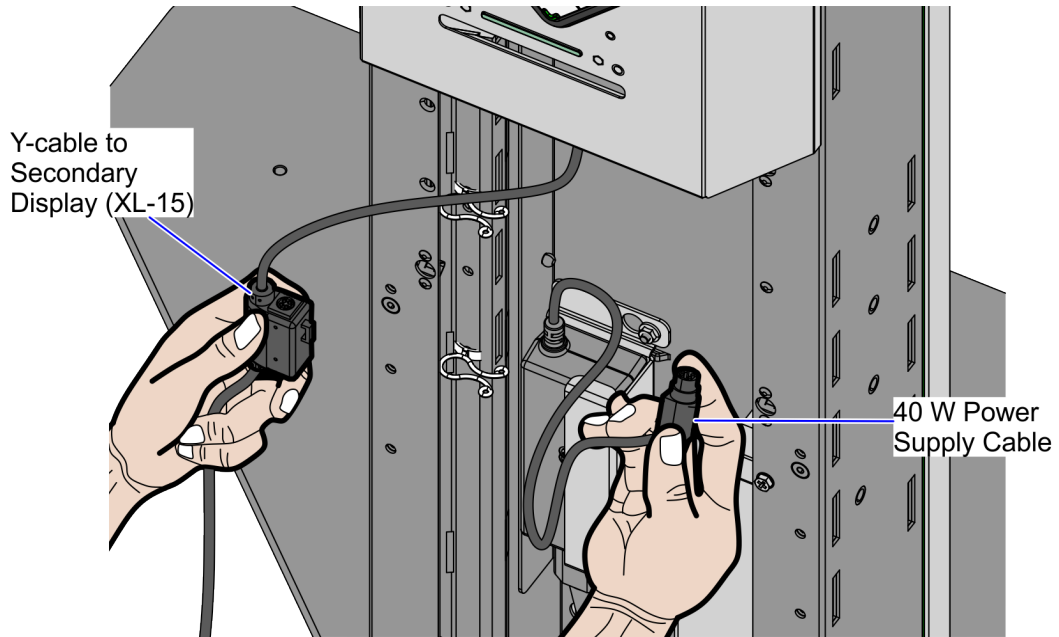
The cable is not included in the kit.

1. Route down the AC Power cable and out into the rear cable access hole, as shown in the image below.



CCP-84332

2. Connect the other cable to the Y-cable connected to the Secondary Display (XL15), as shown in the image below.

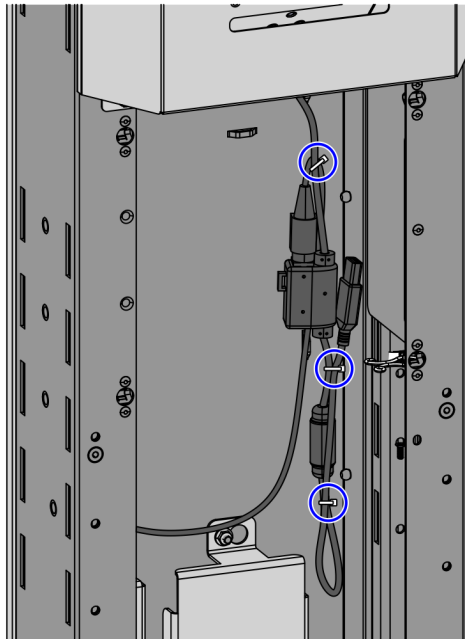


CCP-84333

3. Secure the cable with the cable bundle from the Retail I/O Box using cable ties, as shown in the image below.

Note

Ensure that the Y-cable is tied up together using three (3) cable ties.



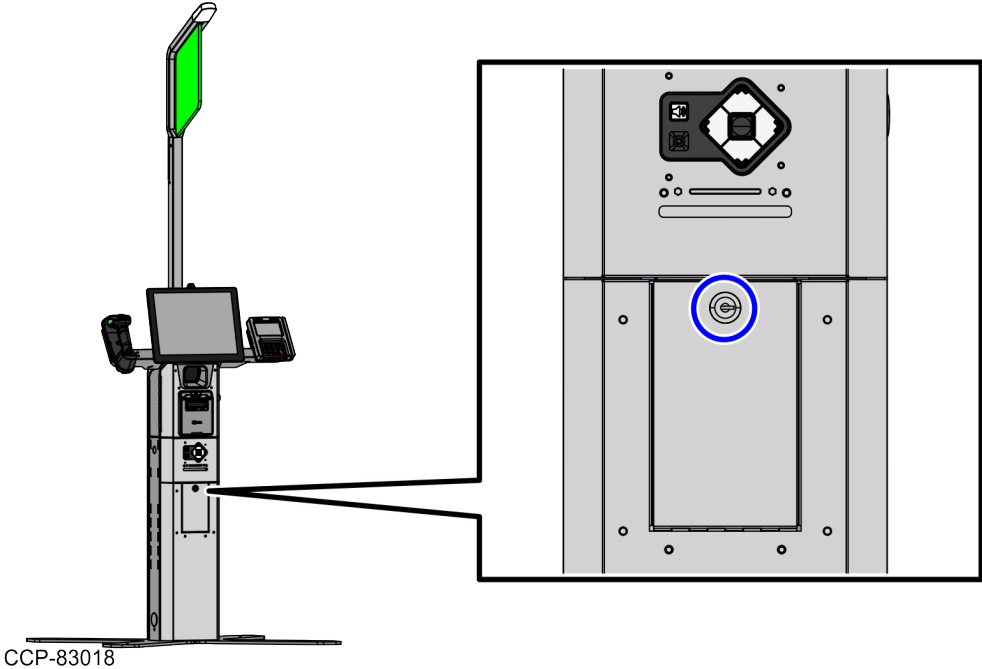
CCP-84334

4. Connect the AC Power Supply to an AC outlet.

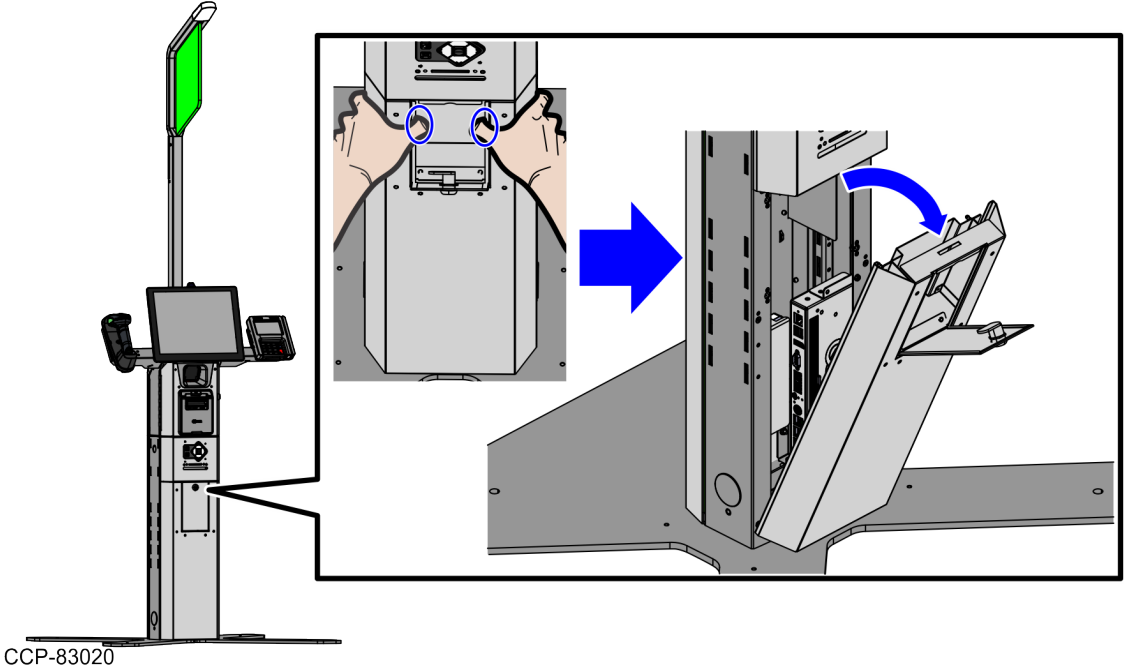
Opening the Pedestal Cabinet

To open the Pedestal Cabinet, follow these steps:

- 1. Unlock the Pedestal Door by opening the Coupon Bin door, as shown in the image below.



- 2. Hold the finger access hole at the top of the Pedestal Door and then slowly pull the door to disengage from the Pedestal Cabinet.



Confidential and proprietary information of NCR Voyix.
Use and disclose solely pursuant to company instructions.