

Kit Instructions

Tabletop Turntable Adapter Plate



7372-K009

Issue A

Copyright and Trademark Information

The product described in this document is a licensed product of NCR Voyix Corporation.

NCR Voyix SCO Hardware is a trademark of NCR Voyix Corporation in the United States and/or other countries. Other product names mentioned in this publication may be trademarks or registered trademarks of their respective companies and are hereby acknowledged.

Where creation of derivative works, modifications or copies of this NCR Voyix copyrighted documentation is permitted under the terms and conditions of an agreement you have with NCR Voyix, NCR Voyix's copyright notice must be included.

Disclaimer:

It is the policy of NCR Voyix Corporation to improve products as technology, components, software and firmware become available. NCR Voyix therefore reserves the right to change specifications without prior notice.

All features, functions and operations described herein may not be marketed by NCR Voyix in all parts of the world. In some instances, photographs are of equipment prototypes.

Therefore, before using this document, consult with your NCR Voyix representative or NCR Voyix office for information that is applicable and current.

© 2024

By NCR Voyix Corporation

Atlanta, Georgia, USA

All Rights Reserved

Revision Record

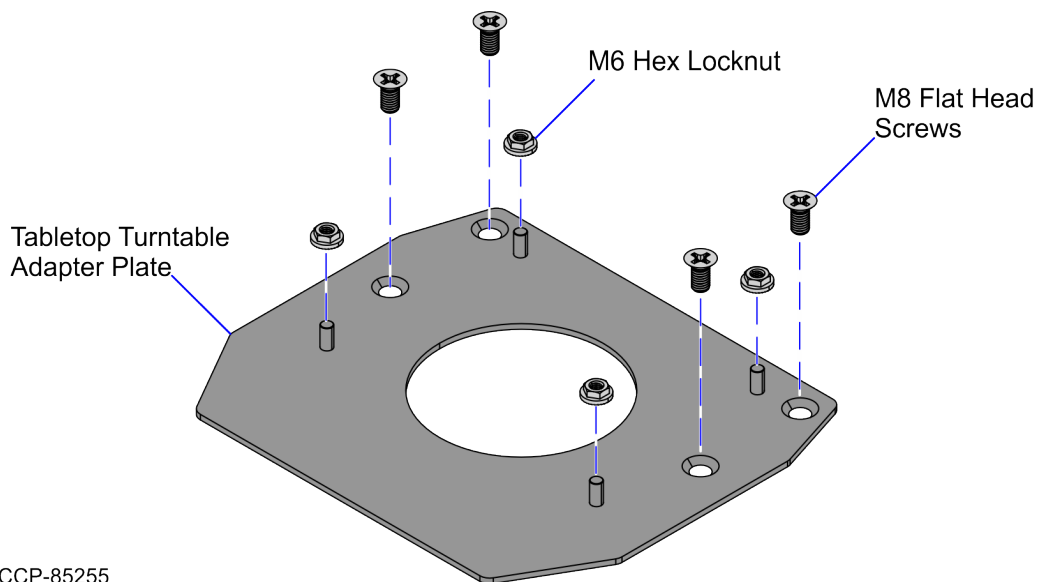
Publication issue	Date	Description of change
A	Nov 2024	First issue.

Tabletop Turntable Adapter Plate

The Tabletop Turntable Adapter Plate kit is used to install a 7372 SCO Tabletop unit on a 7709 turntable. This publication provides procedures for installing the Adapter Plate on the 7709 turntable with either of the following 7372 Tabletop configurations:

- 7372 Tabletop unit with uNAV Base
- 7372 Tabletop unit without uNAV Base

Kit Contents



Part Number	Description
497-0537604	7372-K009 Kit - Tabletop Turntable Adapter Plate
497-0537602	Adapter - Plate, Tabletop Turntable
006-8622925	Locknut - Hex, Serrated, M6 (4 pcs)
006-8627440	Screw, M8 x 1.25 16 mm, Flat Head, Phillips, Zinc Plated (4pcs)

* Items marked with an asterisk are not called out on the image.

Installation Procedure

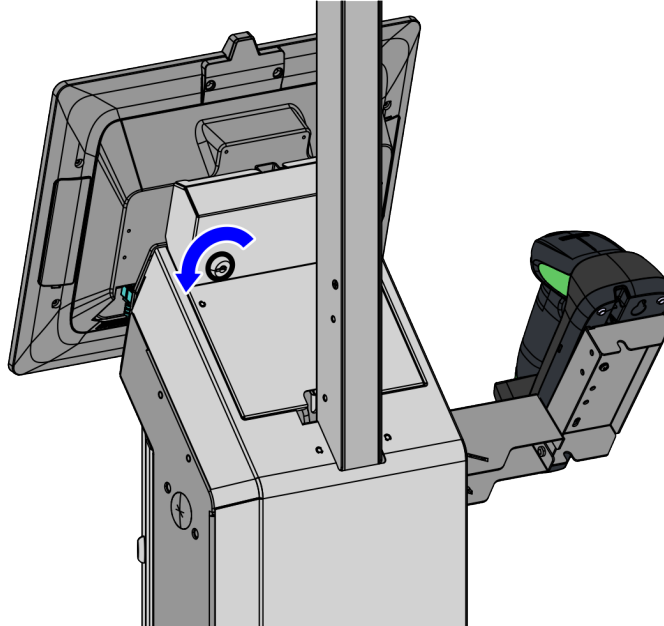
To install the Tabletop Turntable Adapter Plate, refer to either of the following procedures:

- ["Installing the Tabletop Turntable Adapter Plate \(No uNAV Base\)"](#) on page 11.
- ["Installing the Tabletop Turntable Adapter Plate \(With uNAV Base\)"](#) on page 14.

Opening the Tower Cabinet

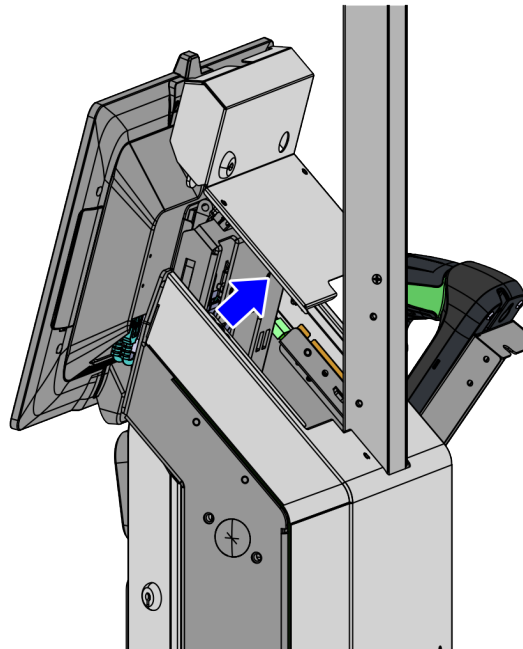
To open the Tower Cabinet, follow these steps:

1. Unlock the Rear Cover of the Tower Frame using a key.



CCP-84442

2. Lift the Rear Cover, as shown in the image below.



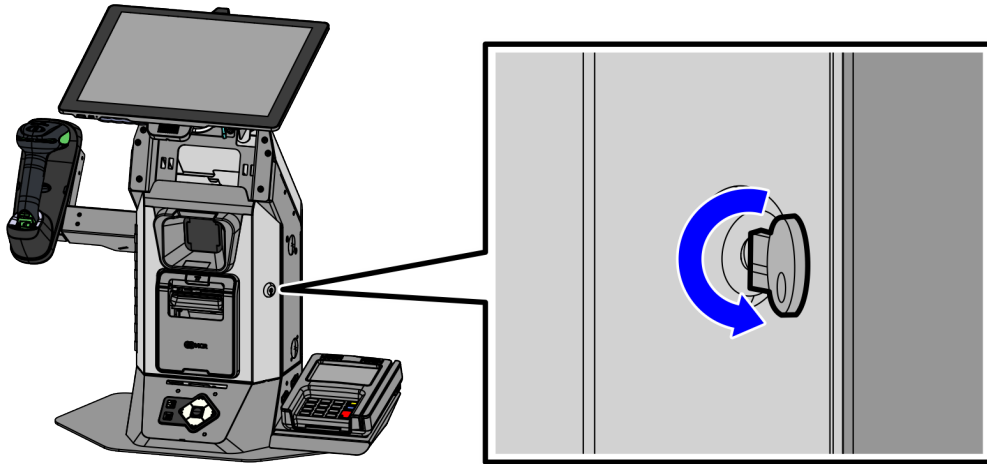
CCP-84444

Confidential and proprietary information of NCR Voyix.
Use and disclose solely pursuant to company instructions.

3. Open the Tower Cabinet door using a key.

Note

For the purpose of illustration only, the image below shows a Tabletop with a uNAV Base configuration.

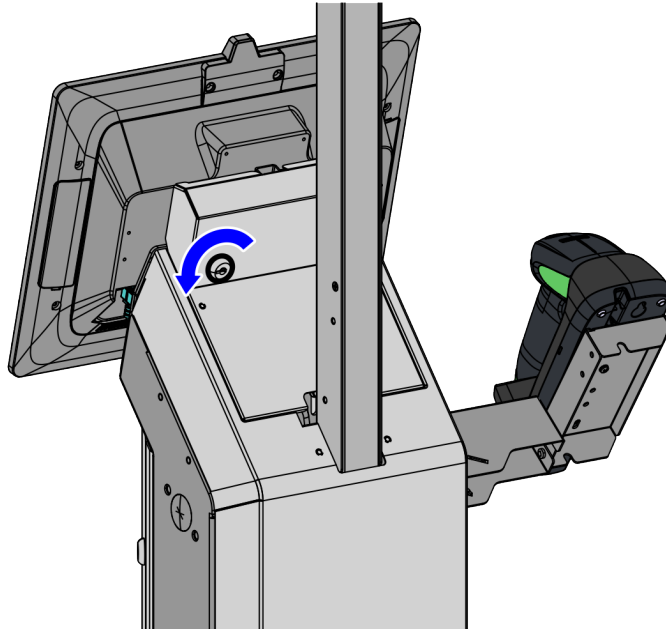


CCP-84524

Removing the Terminal Display

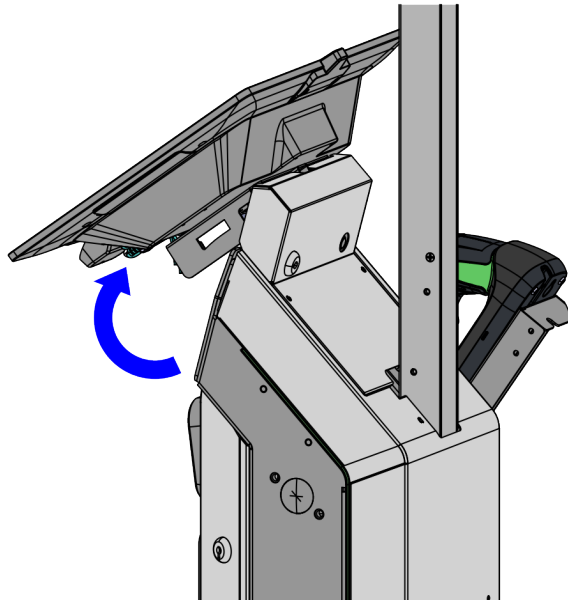
To remove the Terminal Display, follow these steps:

1. Shut down the NCR Voyix Self-Checkout software and hardware systems.
2. Unlock the Rear Cover of the Tower Cabinet using a key.



CCP-84442

3. Lift the Terminal Display, as shown in the image below.



CCP-84538

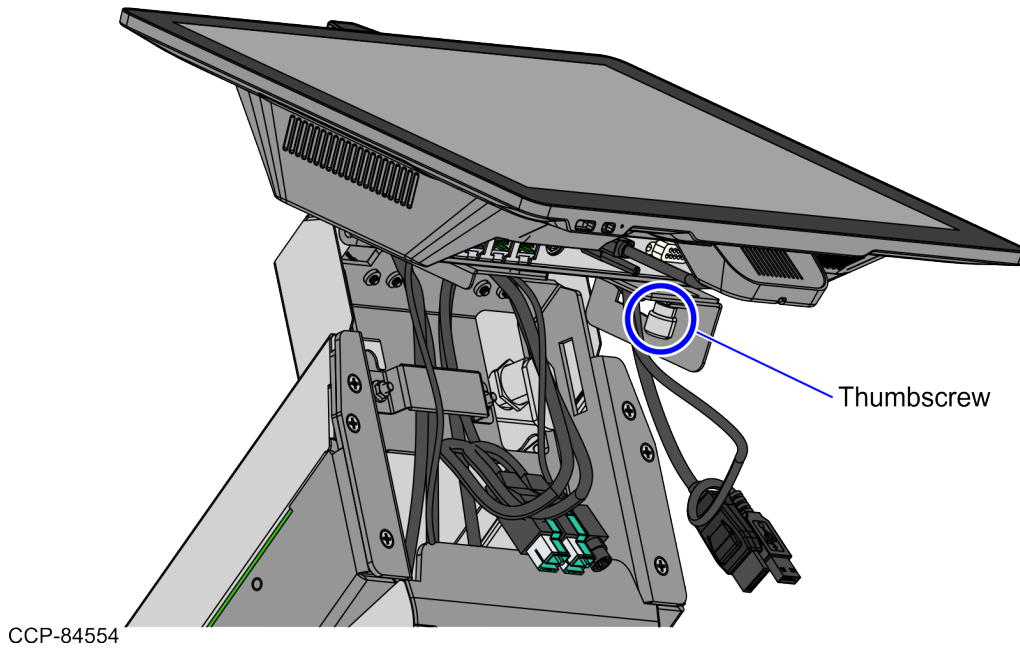
Confidential and proprietary information of NCR Voyix.
Use and disclose solely pursuant to company instructions.

4. Disconnect the cables from the Terminal Display.

Tip

Mark all cables as to where they are connected to quickly determine the corresponding port when reconnecting the cables.

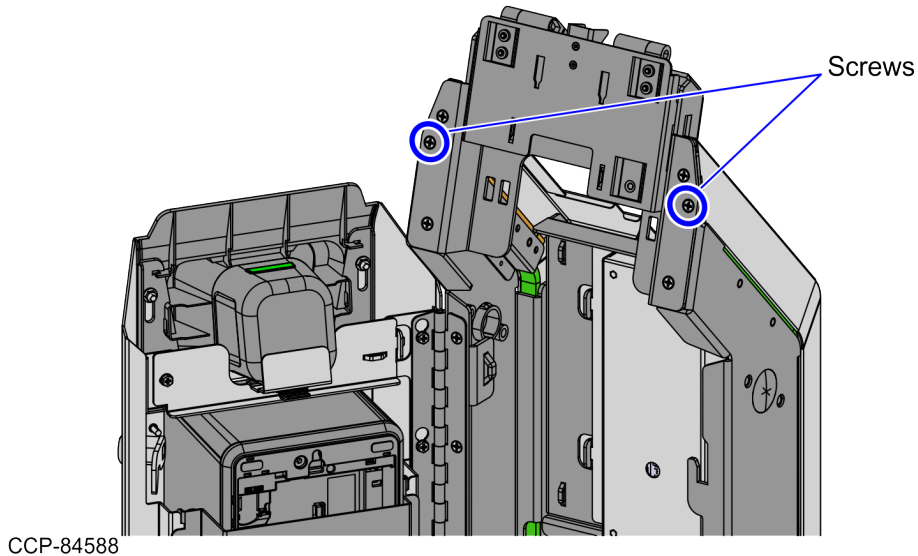
5. Loosen one (1) thumbscrew and then slide the Terminal Display upward to detach from the Display Support.



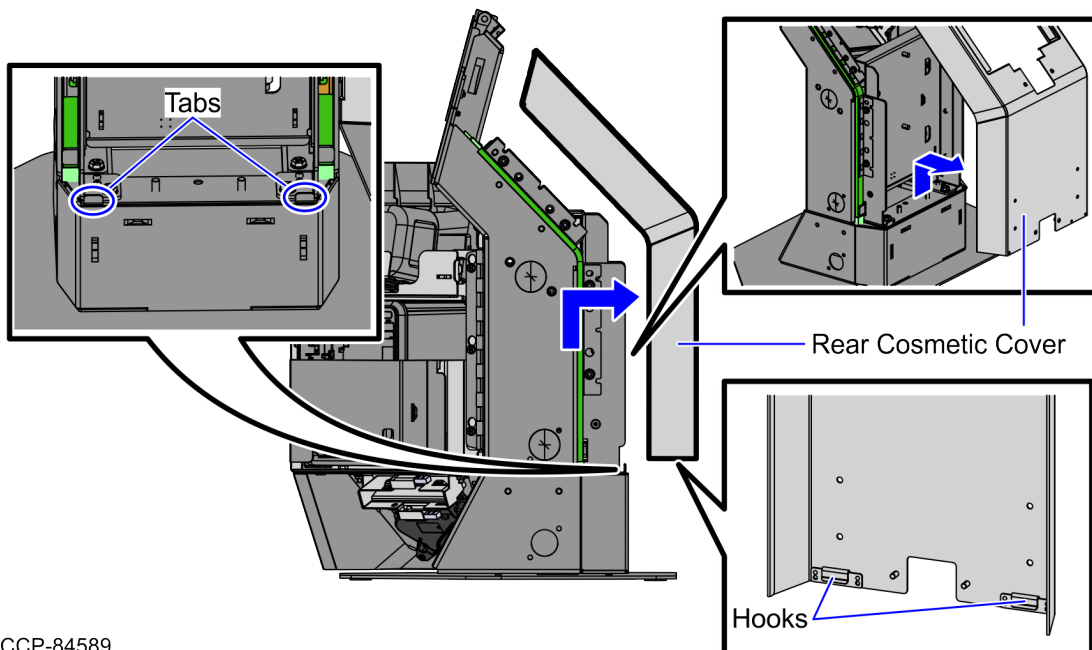
Removing the Rear Cosmetic Cover

To remove the Rear Cosmetic Cover, follow these steps:

1. Remove the Terminal Display. For more information, refer to ["Removing the Terminal Display"](#) on page 8.
2. Remove two (2) screws to detach the Rear Cosmetic Cover from the Tower Frame.



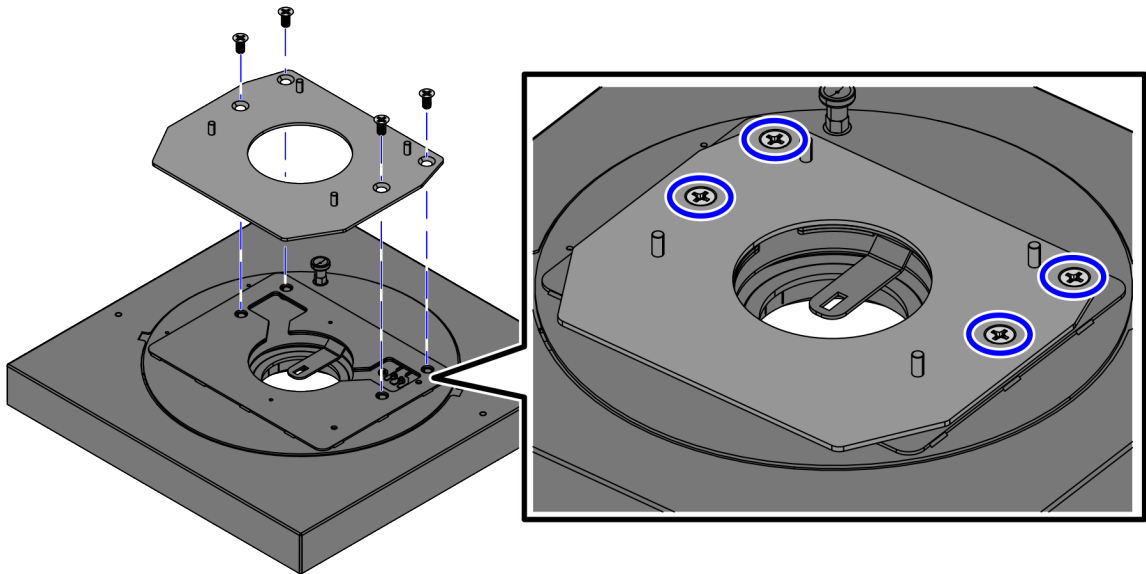
3. Detach the Rear Cosmetic Cover from the Tower Frame by disengaging two (2) hooks from the Tower Frame tabs.



Installing the Tabletop Turntable Adapter Plate (No uNAV Base)

To install the Tabletop Turntable Adapter Plate, follow these steps:

1. Install the Adapter Plate on the 7709 Turntable using four (4) M8 flathead screws, as shown in the image below.



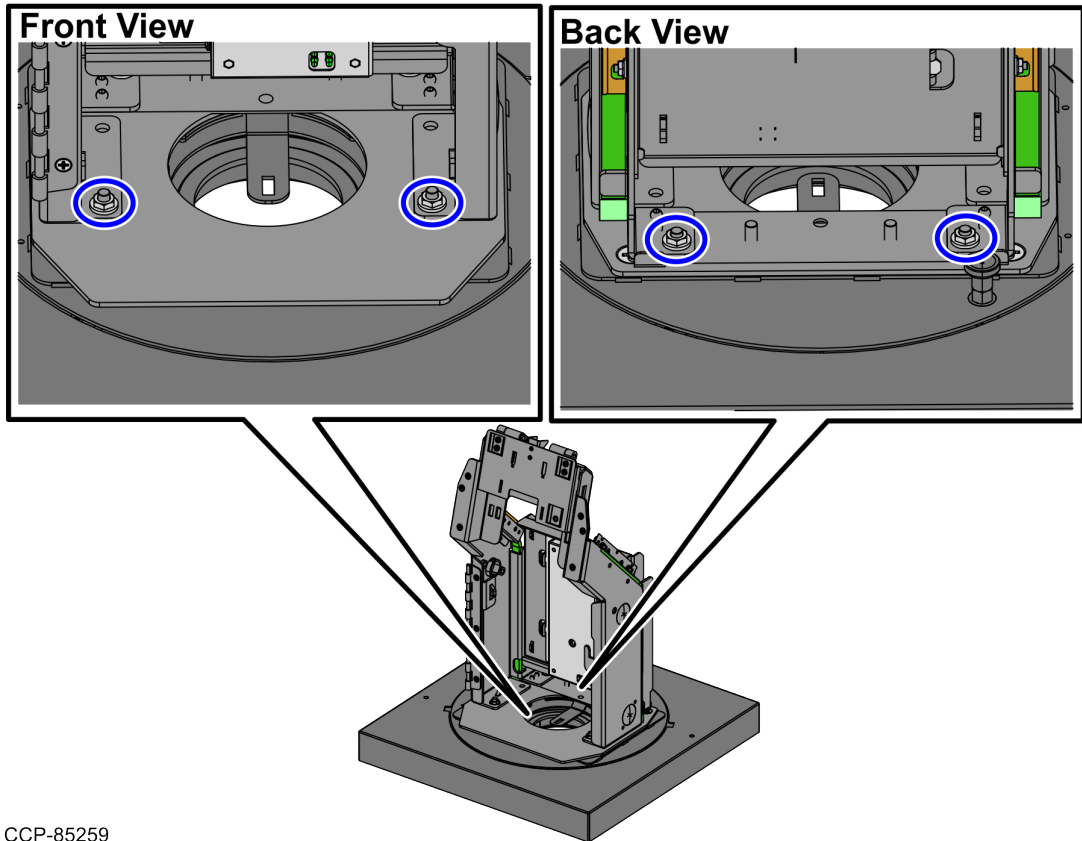
CCP-85257

2. Open the Tower Cabinet. For more information, refer to "[Opening the Tower Cabinet](#)" on page 6.
3. Remove the Rear Cover. For more information, refer to "[Removing the Rear Cosmetic Cover](#)" on the previous page.

4. Mount the 7372 Tabletop unit on the Adapter Plate by doing the following:
 - a. Align the holes of the Tabletop unit to the studs on the Adapter Plate.
 - b. Secure the unit together using four (4) M6 nuts, as shown in the image below.

 **Note**

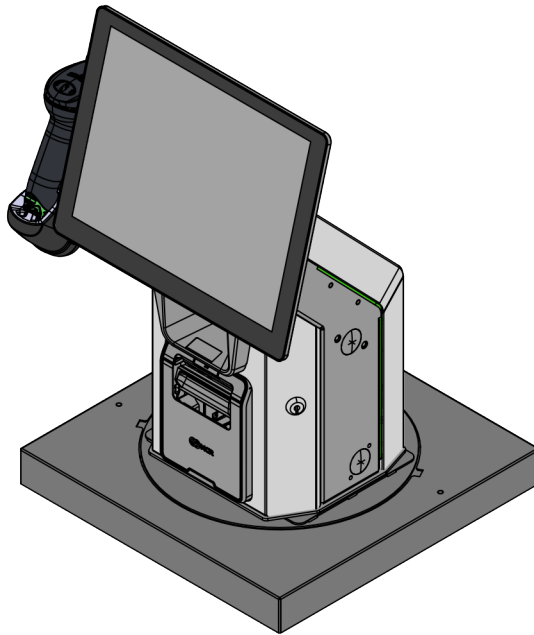
This procedure uses image of the Tabletop frame only for reference.



CCP-85259

5. Install the Rear Cosmetic Cover. For more information, refer to "[Installing the Rear Cosmetic Cover](#)" on page 16.

6. Close the Tower Cabinet. For more information, refer to ["Closing the Tower Cabinet"](#) on page 18.

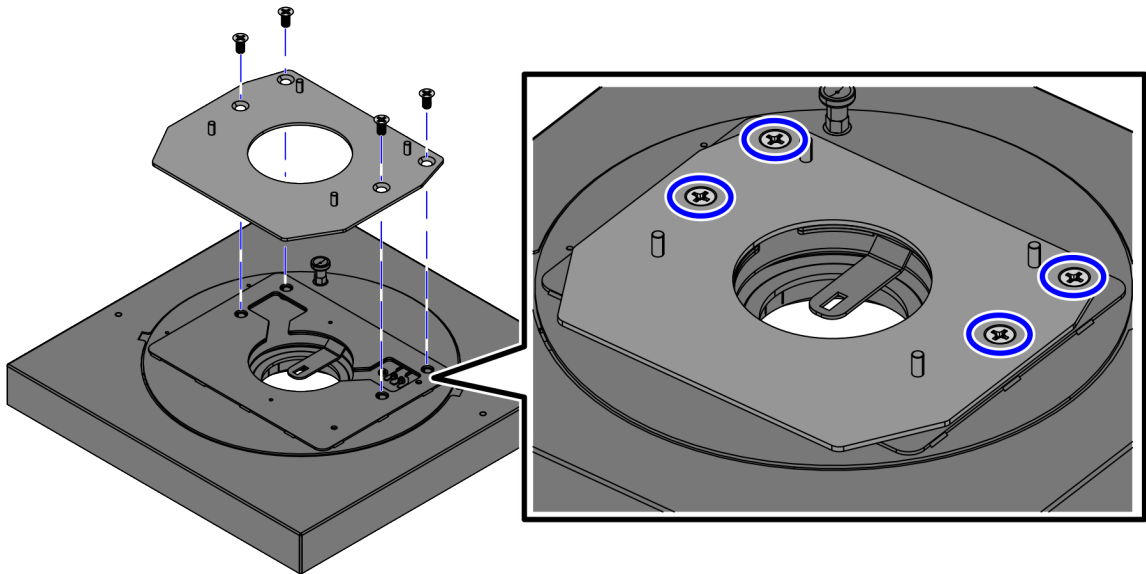


CCP-85278

Installing the Tabletop Turntable Adapter Plate (With uNAV Base)

To install the Tabletop Turntable Adapter Plate, follow these steps:

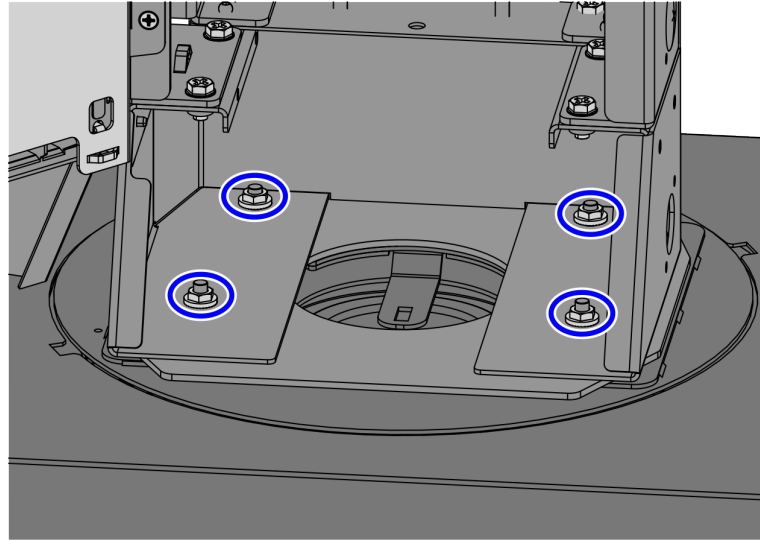
1. Install the Adapter Plate on the 7709 Turntable using four (4) M8 flathead screws, as shown in the image below.



CCP-85257

2. Open the Tower Cabinet. For more information, refer to "[Opening the Tower Cabinet](#)" on page 6.

3. Mount the 7372 Tabletop unit on the Adapter Plate by doing the following:
 - a. Align the holes of the Tabletop unit to the studs on the Adapter Plate.
 - b. Secure the unit together using four (4) M6 nuts, as shown in the image below.



CCP-85258

4. Install the Rear Cosmetic Cover. For more information, refer to ["Installing the Rear Cosmetic Cover"](#) on the next page.
5. Close the Tower Cabinet. For more information, refer to ["Closing the Tower Cabinet"](#) on page 18.



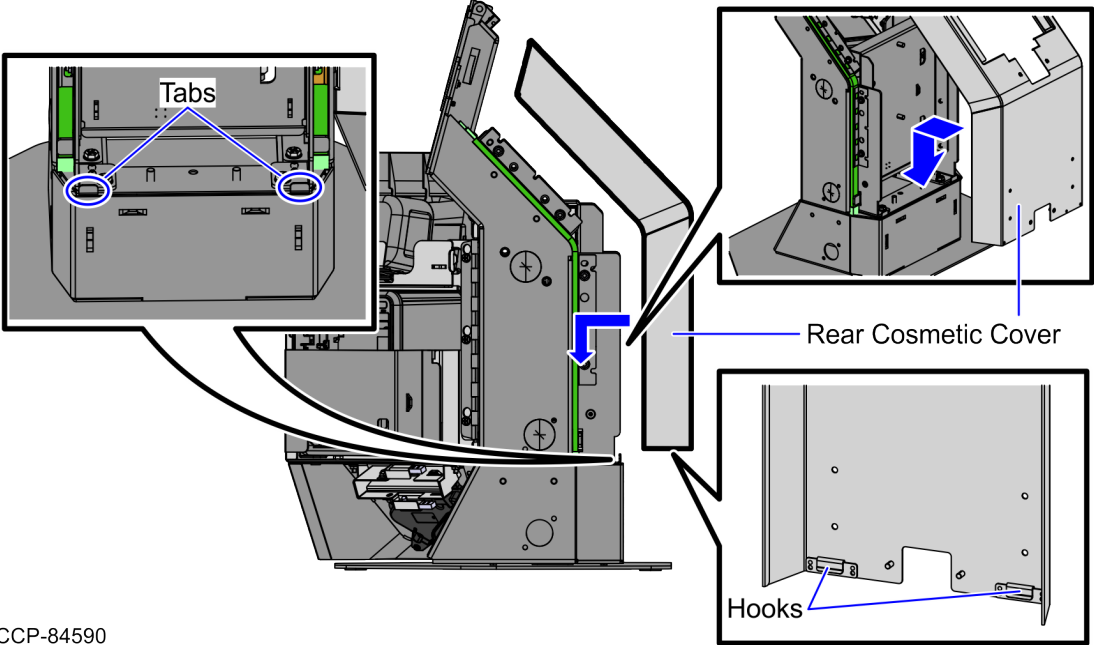
CCP-85277

Installing the Rear Cosmetic Cover

To install the Rear Cosmetic Cover, follow these steps:

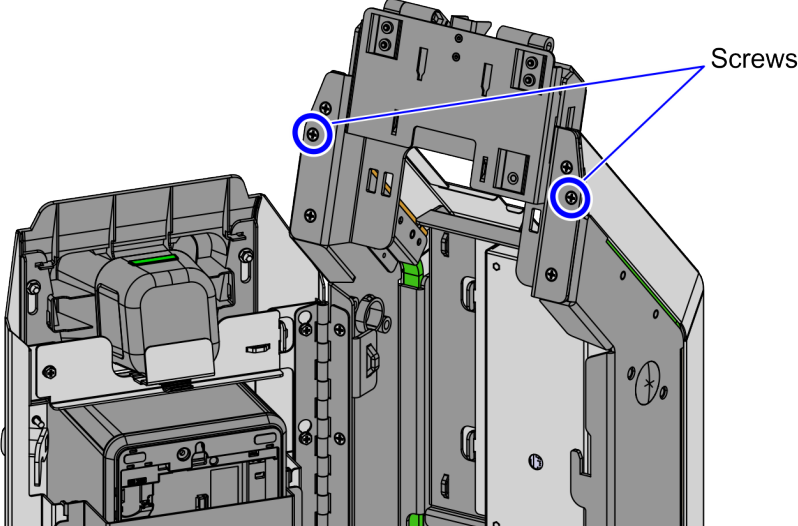
1. Attach the Rear Cosmetic Cover to the Tower Frame by engaging two (2) hooks to the tabs on the Tower Frame, as shown in the image below.

Note
Ensure that all four (4) hooks are engaged to the tabs.



CCP-84590

2. Secure the the Rear Cosmetic Cover to the Tower Frame using two (2) screws.

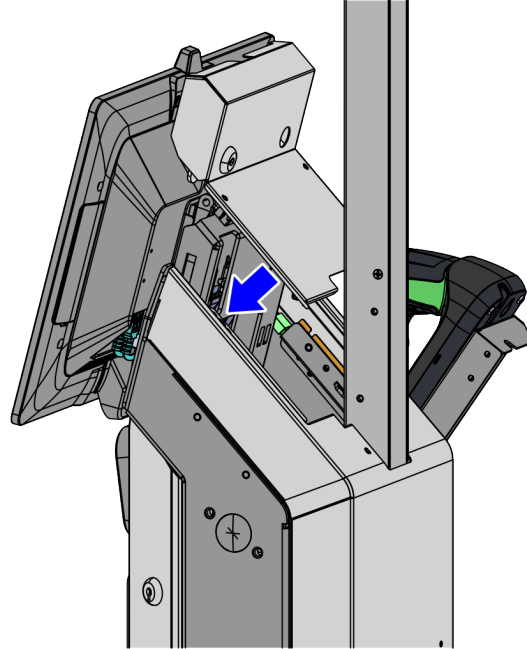


CCP-84588

Closing the Tower Cabinet

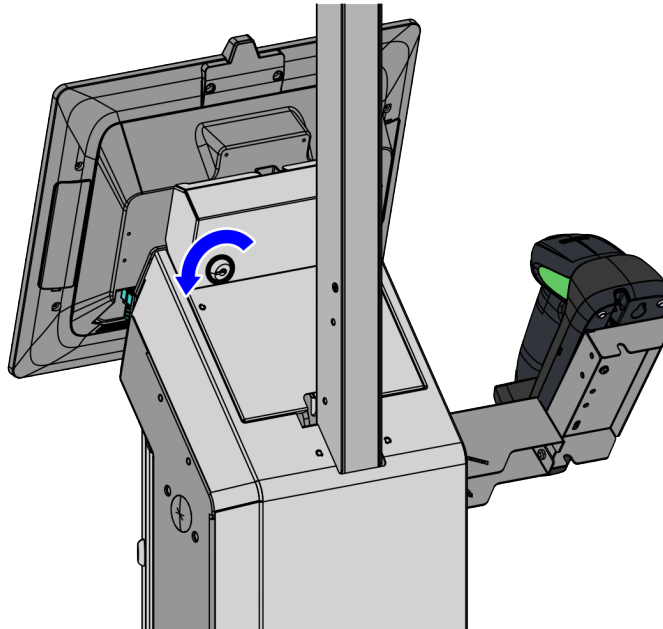
To close the Tower Cabinet, follow these steps:

1. Place the Rear Cover on the back of the Tower Cabinet.



CCP-84443

2. Lock the Rear Cover to the Tower Cabinet using a key.



CCP-84442