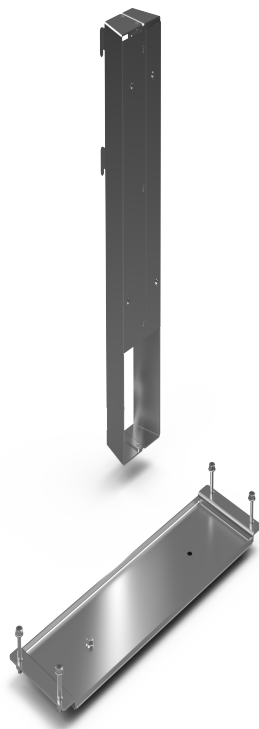




Kit Instructions

Bagwell Spacer (Card Only)



7372-K001

Issue A

The product described in this document is a licensed product of NCR Corporation.

NCR is a registered trademark of NCR Corporation. NCR Self-Checkout Hardware is a trademark of NCR Corporation in the United States and/or other countries. Other product names mentioned in this publication may be trademarks or registered trademarks of their respective companies and are hereby acknowledged.

The terms HDMI and HDMI High-Definition Multimedia Interface, and the HDMI Logo are trademarks or registered trademarks of HDMI Licensing LLC in the United States and other countries.

Where creation of derivative works, modifications or copies of this NCR copyrighted documentation is permitted under the terms and conditions of an agreement you have with NCR, NCR's copyright notice must be included.

It is the policy of NCR Corporation (NCR) to improve products as new technology, components, software, and firmware become available. NCR, therefore, reserves the right to change specifications without prior notice.

All features, functions, and operations described herein may not be marketed by NCR in all parts of the world. In some instances, photographs are of equipment prototypes. Therefore, before using this document, consult with your NCR representative or NCR office for information that is applicable and current.

Copyright © 2023

By NCR Voyix Corporation

Global Headquarters

864 Spring St. NW

Atlanta, GA 30308

United States

All Rights Reserved

Confidential and proprietary information of NCR Voyix Corporation.
Unauthorized use, reproduction and/or distribution is strictly prohibited.

Revision Record

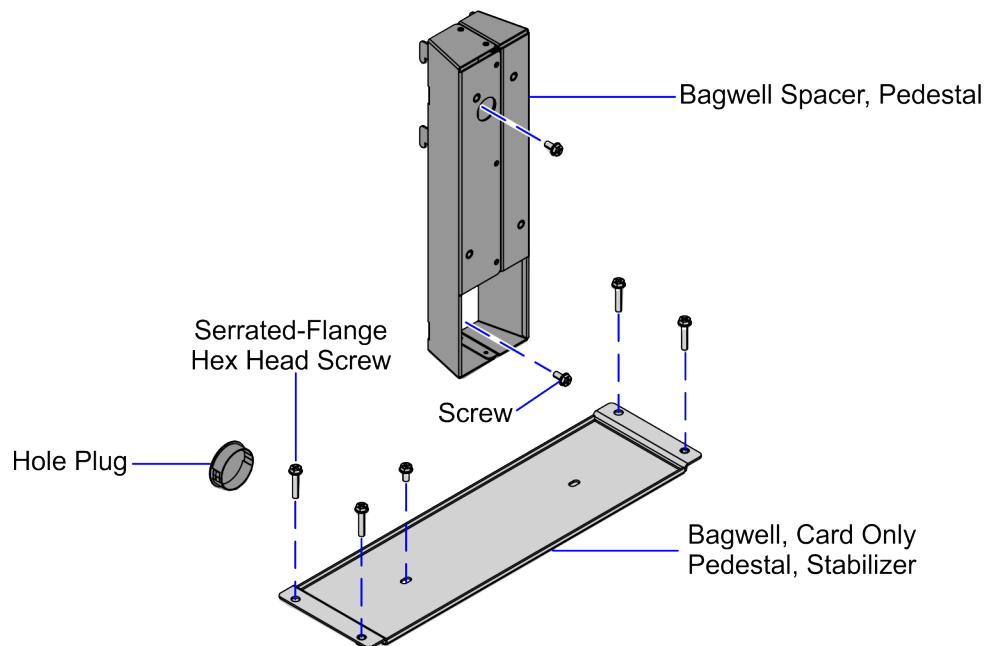
| Issue | Date | Remarks |
|-------|----------|--------------|
| A | Nov 2023 | First issue. |
| | | |

Confidential and proprietary information of NCR Voyix Corporation.
Unauthorized use, reproduction and/or distribution is strictly prohibited.

Bagwell Spacer (Card Only)

This publication provides instructions for installing the 7372-K001 Bagwell Spacer (Card Only) kit to the NCR Self-Checkout Hardware (7372) unit.

Kit Contents



CCP-82707

| Part Number | Description |
|---------------|--|
| 497-0533875 | 7372-K001 Bagwell Spacer - Card Only |
| 497-0533475 | Bagwell Spacer, Pedestal |
| 009-0006599 | Screw Hex M6 X 12 Mc Comb (2 Pcs) |
| * 497-0534350 | Hole Cover Label, 7372 Bagwell |
| 006-8628595 | Metric Screw Machine-Thread Forming-Combined Hex/Pozi Head – M6 X 30 (4 Pcs) |
| 497-0534264 | Bagwell, Card Only Pedestal, Stabilizer |
| 006-8614720 | Hole Plug, 1.75" diameter |
| * 497-0423108 | Instructions Kit (Reference Sheet) |

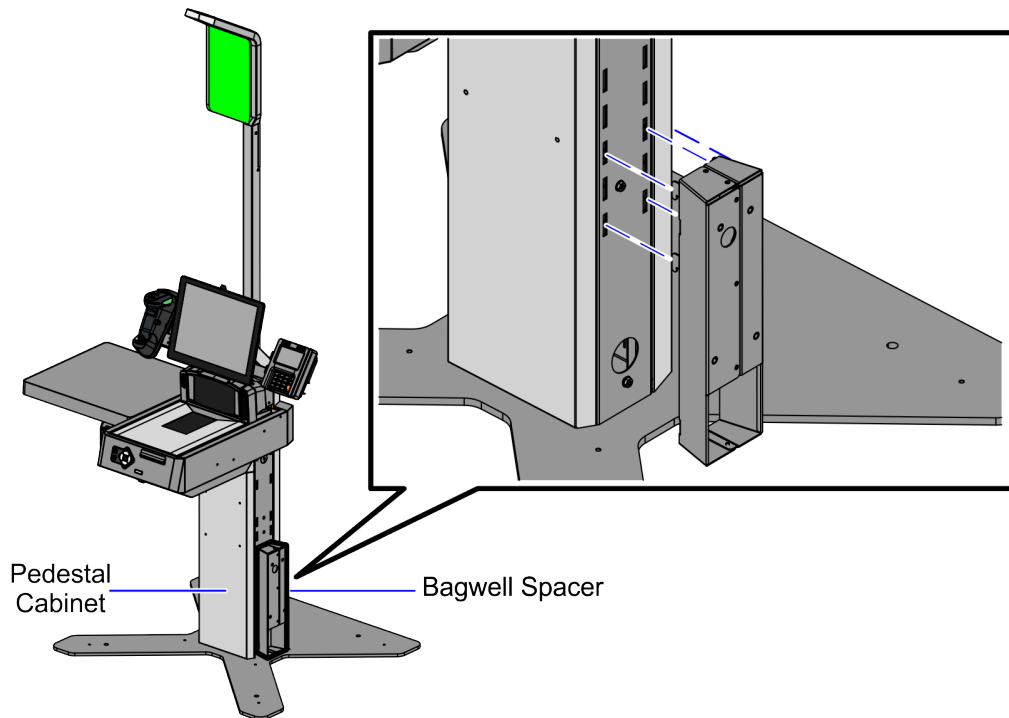
* Items marked with an asterisk are not called out on the image.

Confidential and proprietary information of NCR Voyix Corporation.
 Unauthorized use, reproduction and/or distribution is strictly prohibited.

Installation Procedure

To install the 7372-K001 Bagwell Spacer (Card Only) kit, follow these steps:

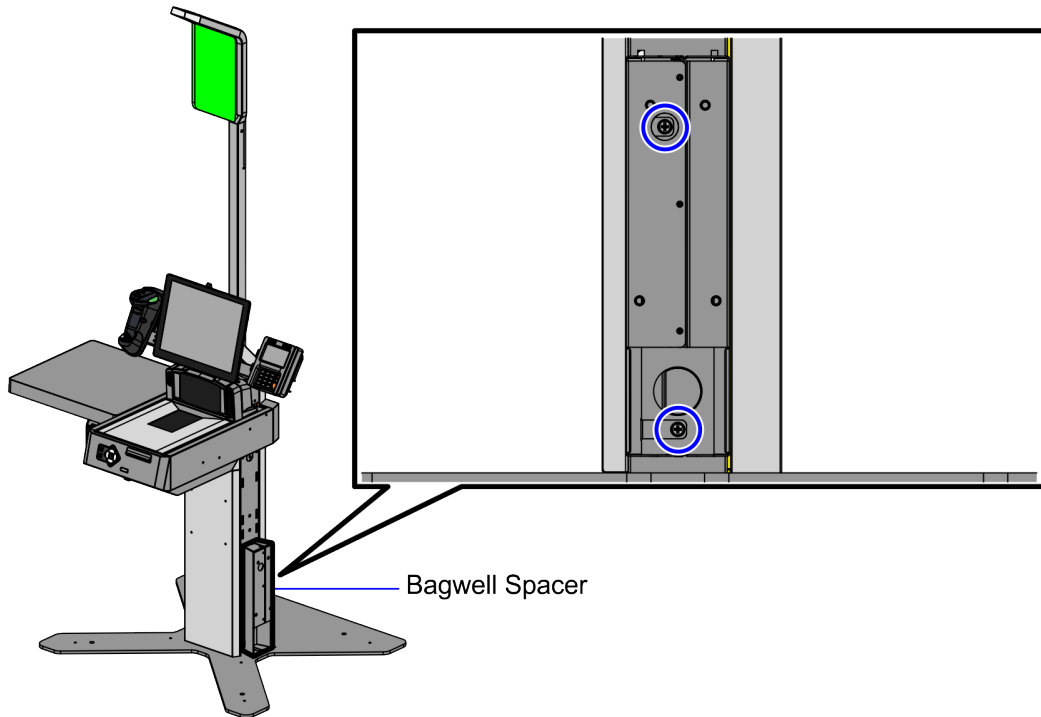
1. Slide the mounting hooks of the Bagwell Spacer into the corresponding slotted holes on the side of the Pedestal Cabinet, as shown in the image below.



CCP-83119

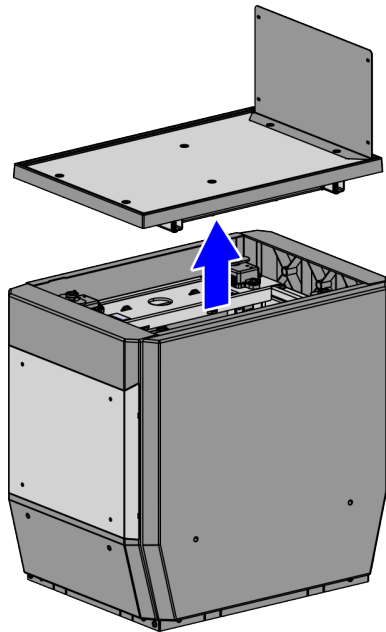
Confidential and proprietary information of NCR Voyix Corporation.
Unauthorized use, reproduction and/or distribution is strictly prohibited.

2. Secure the Bagwell Spacer using two (2) M6 hex screws.



CCP-83120

3. Lift and remove the Scale Tray from the Bagwell.

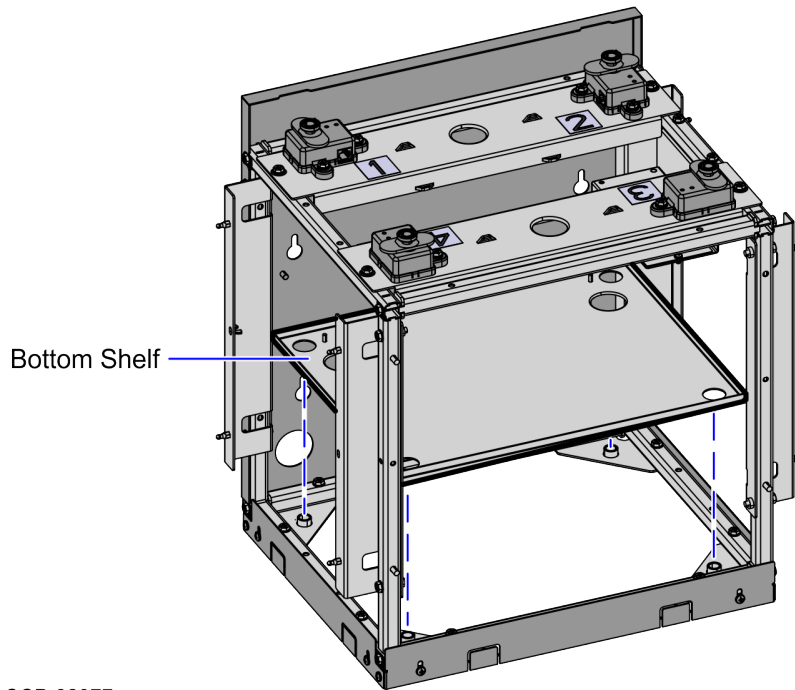


CCP-82967

4. Remove the Bagwell Panels. For more information, refer to the following procedures:
 - a. [Removing the Bagwell Panels \(Front and Back\)](#)
 - b. [Removing the Bagwell Panel \(End\)](#)

Confidential and proprietary information of NCR Voyix Corporation.
Unauthorized use, reproduction and/or distribution is strictly prohibited.

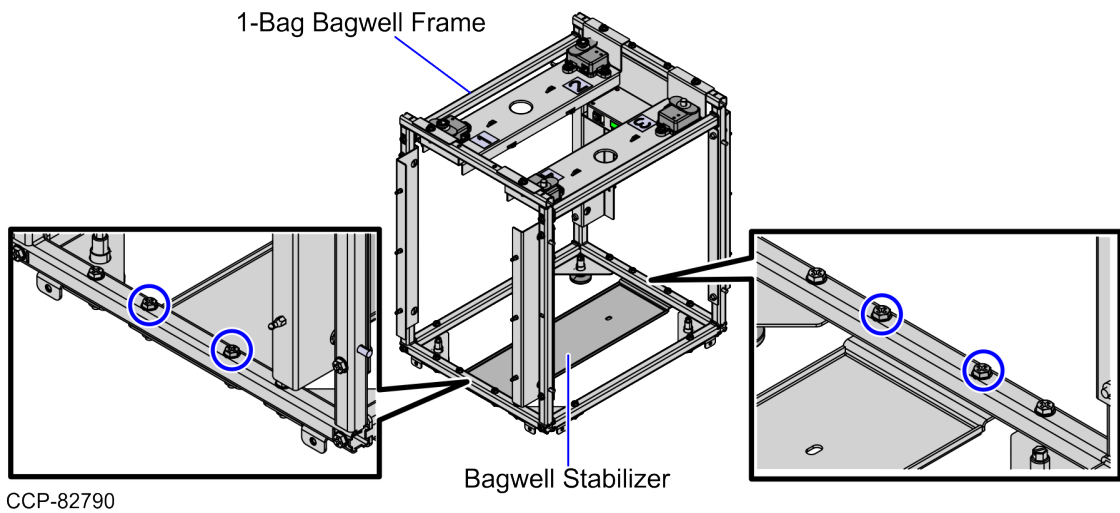
5. Lift and remove the Bottom Shelf from the Bagwell.



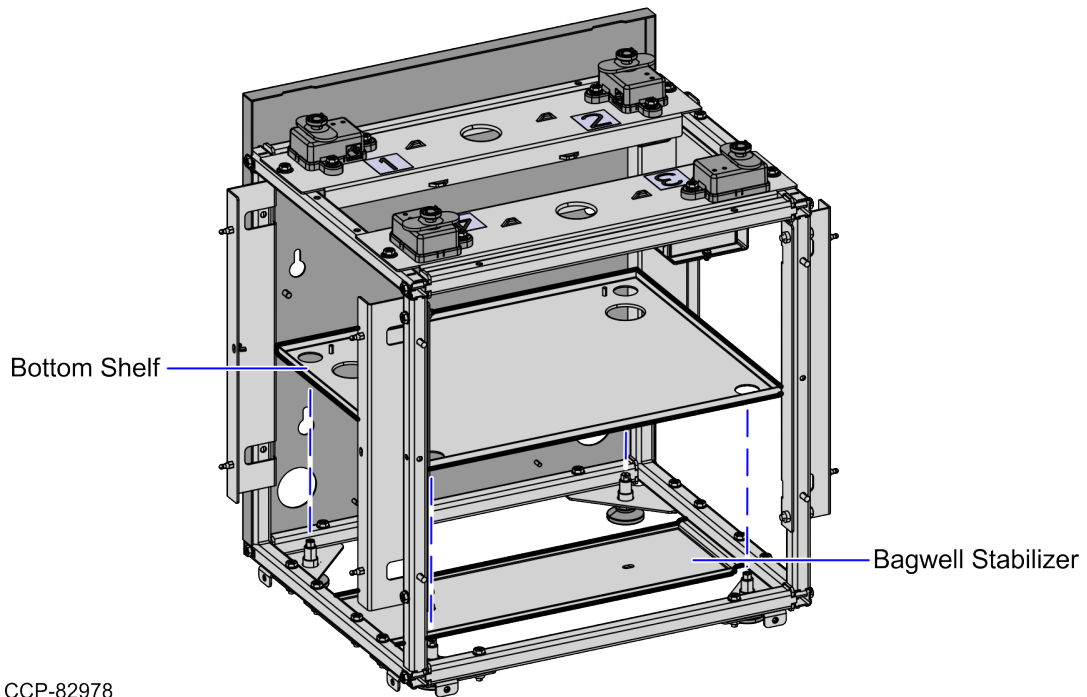
CCP-82977

Confidential and proprietary information of NCR Voyix Corporation.
Unauthorized use, reproduction and/or distribution is strictly prohibited.

6. Attach the Bagwell Stabilizer to the Bagwell Frame using four (4) screws, as shown in the image below.



7. Place the Bottom Shelf inside the Bagwell, as shown in the image below.



8. Install the Bagwell to the unit. For more information, refer to either of the following Kit Instructions:
- 7371-K001 1-Bag Bagwell (With Scale)
 - 7371-K002 1-Bag Bagwell (No Scale)

Confidential and proprietary information of NCR Voyix Corporation.
Unauthorized use, reproduction and/or distribution is strictly prohibited.

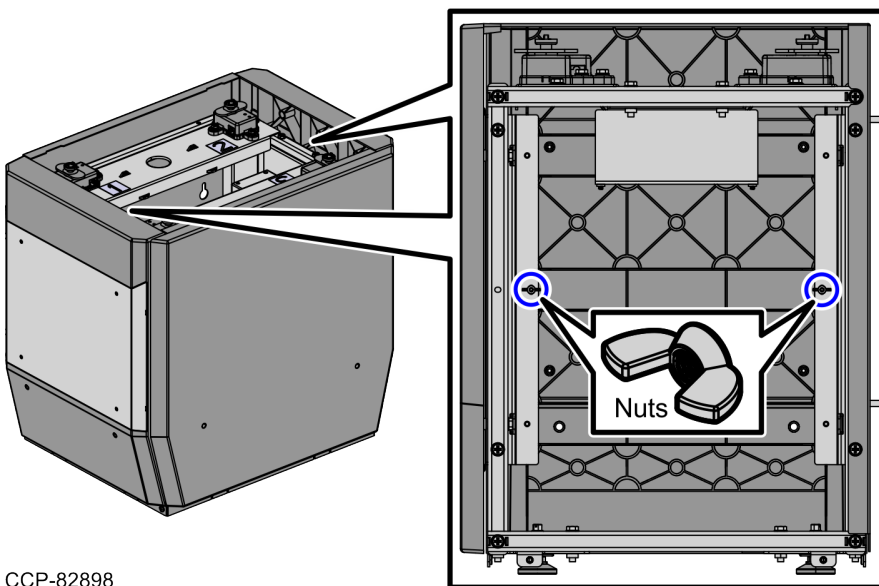
Removing the Bagwell Panels (Front and Back)

To remove the Front and Back Panels from the Bagwell Frame, follow these steps:

i Note
This procedure uses images of the Bagwell only for reference.

1. Remove four (4) wing nuts from inside the Bagwell to detach the Front and Back Panels, as shown in the image below. Each panel have two (2) wing nuts.

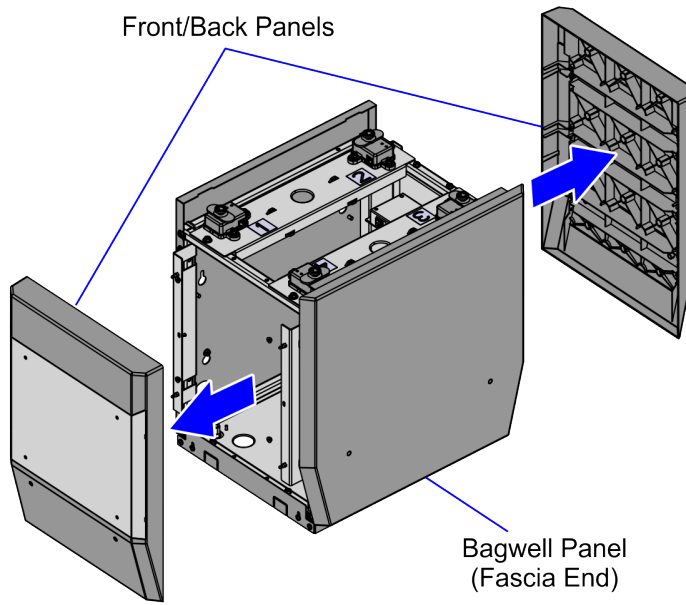
i Note
The Front and Back Panels of the Bagwell must be removed before the End Panel.



CCP-82898

Confidential and proprietary information of NCR Voyix Corporation.
Unauthorized use, reproduction and/or distribution is strictly prohibited.

2. Pull to unclip the Front and Back Panels from the Bagwell Frame.



CCP-82890

Confidential and proprietary information of NCR Voyix Corporation.
Unauthorized use, reproduction and/or distribution is strictly prohibited.

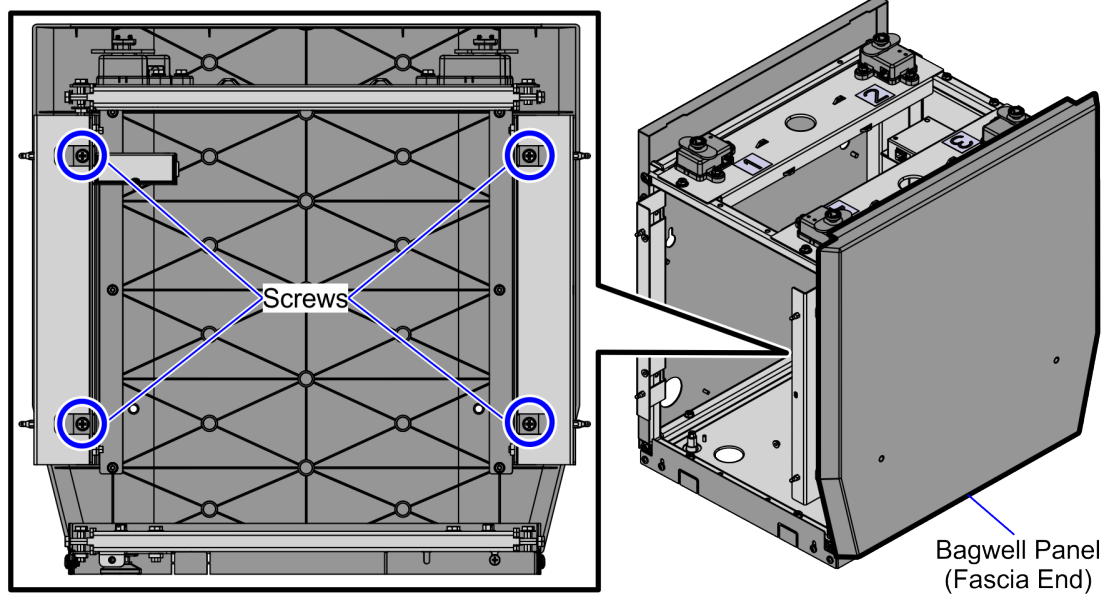
Removing the Bagwell Panel (End)

To remove the End Panel from the Bagwell Frame, follow these steps:

i Note
This procedure uses images of the Bagwell only for reference.

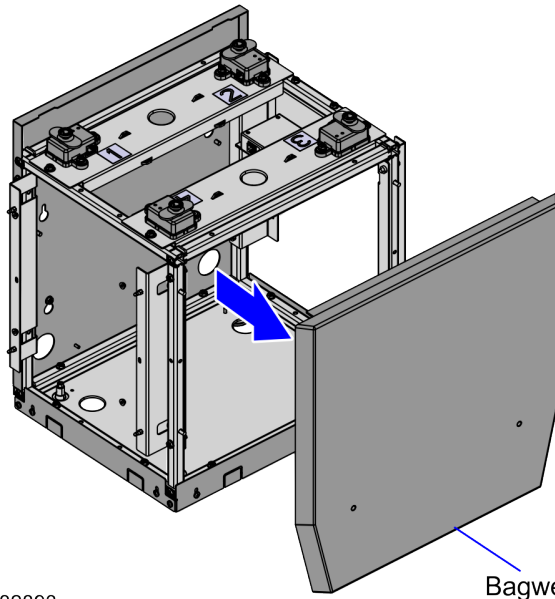
1. Remove four (4) screws from inside the Bagwell to detach the End Panel, as shown in the image below.

i Note
The End Panel of the Bagwell must be removed after removing the Front and Back Panels of the Bagwell.



CCP-82902

2. Pull the End Panel from the Bagwell Frame.



CCP-82893

Bagwell Panel (Fascia End)

Confidential and proprietary information of NCR Voyix Corporation.
Unauthorized use, reproduction and/or distribution is strictly prohibited.