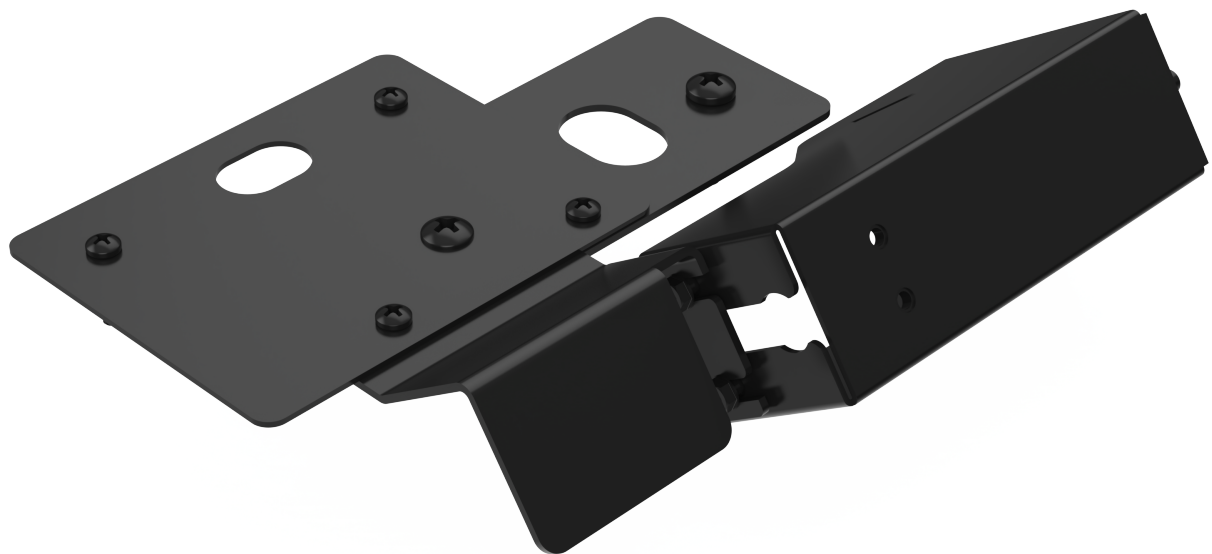




Kit Instructions

Remote Scale Display Mount



7371-K902

Issue A

Copyright and Trademark Information

The product described in this document is a licensed product of NCR Voyix Corporation.

Product Type is a trademark of NCR Voyix Corporation in the United States and/or other countries. Other product names mentioned in this publication may be trademarks or registered trademarks of their respective companies and are hereby acknowledged.

Where creation of derivative works, modifications or copies of this NCR Voyix copyrighted documentation is permitted under the terms and conditions of an agreement you have with NCR Voyix, NCR Voyix's copyright notice must be included.

Disclaimer:

It is the policy of NCR Voyix Corporation to improve products as technology, components, software and firmware become available. NCR Voyix therefore reserves the right to change specifications without prior notice.

All features, functions and operations described herein may not be marketed by NCR Voyix in all parts of the world. In some instances, photographs are of equipment prototypes.

Therefore, before using this document, consult with your NCR Voyix representative or NCR Voyix office for information that is applicable and current.

© 2024

By NCR Voyix Corporation

Atlanta, Georgia, USA

All Rights Reserved

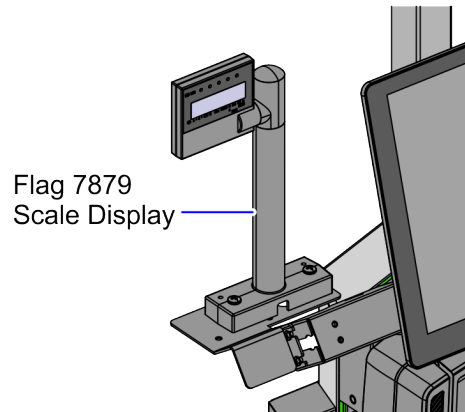
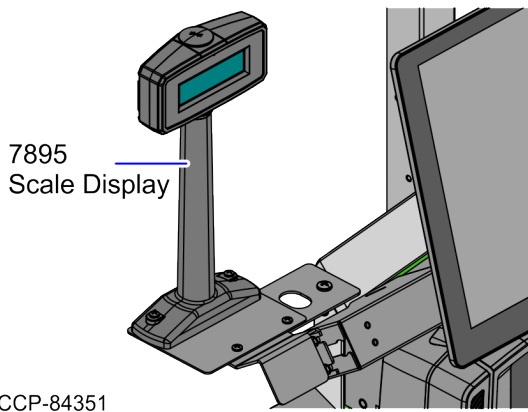
Revision Record

Issue	Date	Remarks
A	Jul 2024	First issue.

Remote Scale Display Mount

The Remote Scale Display Mount holds the Remote Scale Display in place. Depending on the Scanner/Scale configured on the Self-Checkout unit, the mount can hold either of the following Remote Scale Display:

- Flag 7879 Scale Display
- 7895 Scale Display



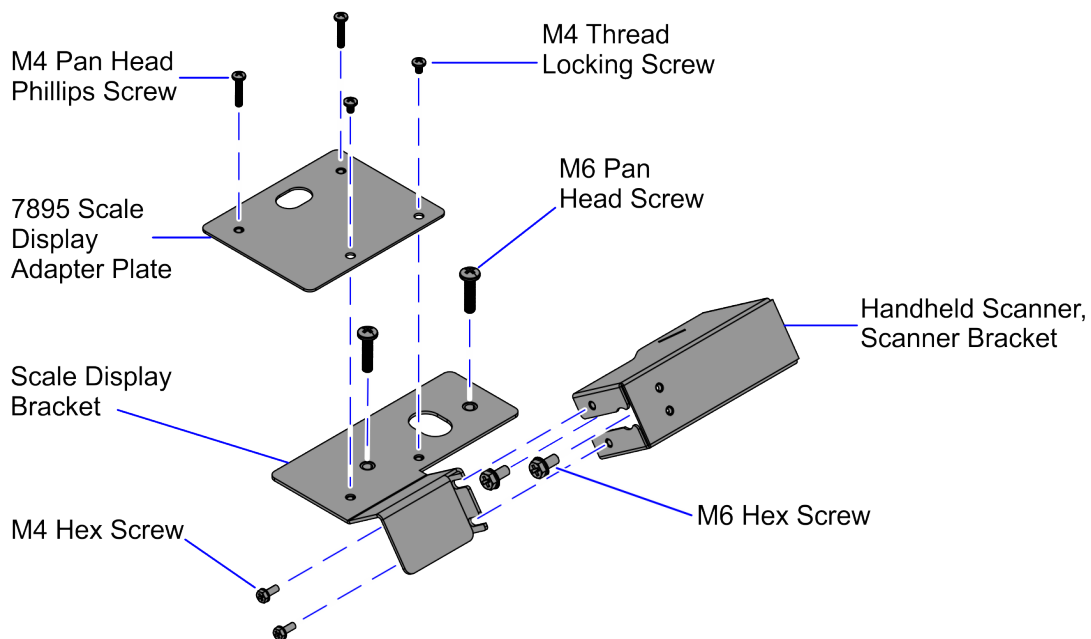
Note

The Scale Display is supplied by the customer.

This publication provides procedures for installing the Remote Scale Display Mount on either of the following Self-Checkout units:

- NCR Voyix SCO Hardware (7371) Full Function (Fixed)
- NCR Voyix SCO Hardware (7371) Full Function (Hybrid)
- NCR Self-Checkout Hardware - Card Only Self-Checkout (7372)

Kit Contents



CCP-84335

Part Number	Description
497-0536682	7371-K902 Remote Scale Display Mount
497-0533821	7371-K902 Support Bracket, Scanner, Handheld
006-8628739	Screw Hex M6 x I2 MC COMB (2 pcs)
497-0535337	Bracket - Scale Display
006-8628723	Screw M4 x I0 M/C COMBI POZI (2 pcs)
497-0535338	Adapter Plate - Scale Display, 7895
006-8628488	Screw, M4 x 0.7 x 6 mm, Thread-locking, PH, Phillips Head (2 pcs)
006-8622923	Screw, M4 x 20 mm, Pan head Phillips, SS Machine (2 pcs)
006-8624916	Screw, M6 x 25 mm Pan head Zinc-Plated (2 pcs)
*497-0423108	Instructions Kit (Reference Sheet)

* Items marked with an asterisk are not called out on the image.

Confidential and proprietary information of NCR Voyix.
Use and disclose solely pursuant to company instructions.

Installation Procedure

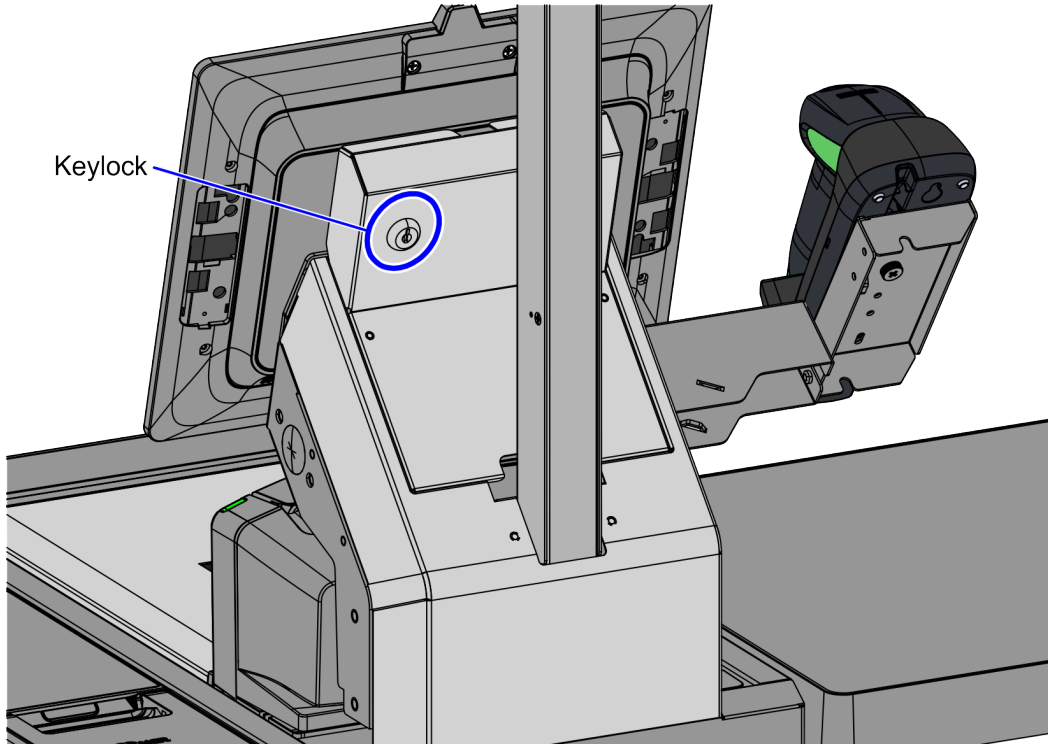
Depending on the Remote Scale Display configuration, refer to either of the following procedures:

- ["Installing the Remote Scale Display Mount for Flag 7879 Scale Display"](#) on page 9.
- ["Installing the Remote Scale Display Mount for 7895 Scale Display"](#) on page 20.

Opening the Tower Cabinet

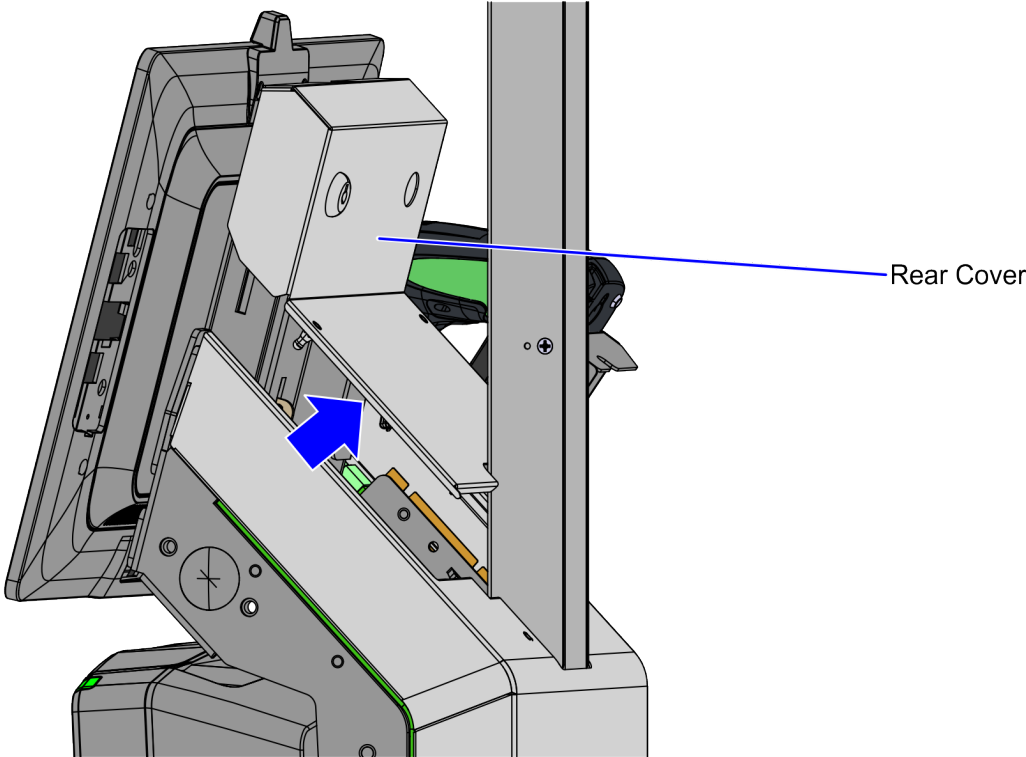
To open the Tower Cabinet, follow these steps;

1. Unlock the Rear Cover of the Tower Cabinet, as shown in the image below.



CCP-83498

2. Remove the Rear Cover from the Tower Cabinet.

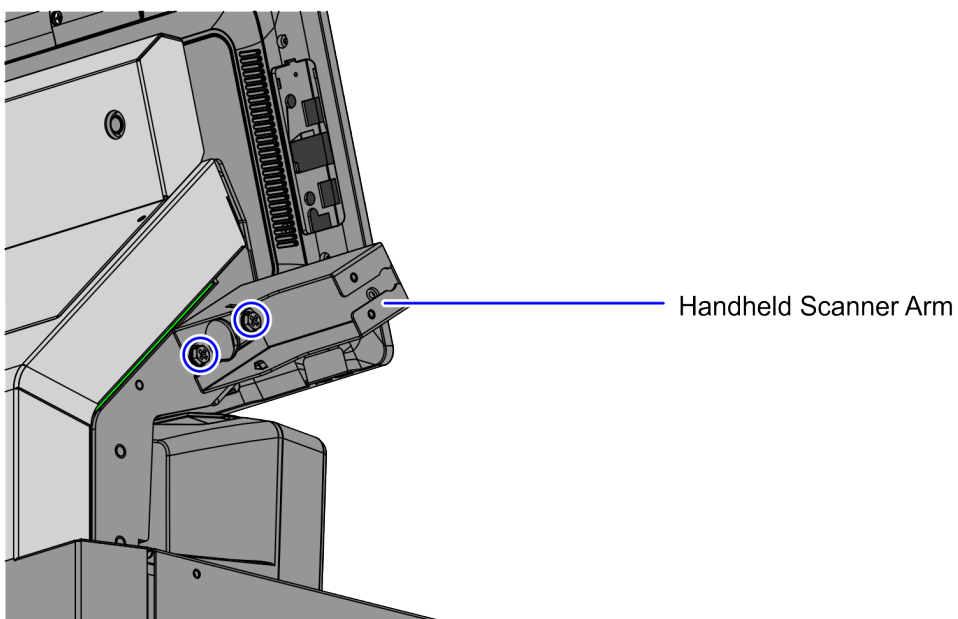


CCP-84109

Installing the Remote Scale Display Mount for Flag 7879 Scale Display

To install the Remote Scale Display Mount, follow these steps:

1. Remove the existing Remote Scale Display Mount, if necessary. For more information, refer to "[Removing the Remote Scale Display Mount for Flag 7879 Scale Display](#)" on page 18.
2. Attach the Handheld Scanner Arm to the Tower using two (2) M6 hex screws, as shown in the image below.



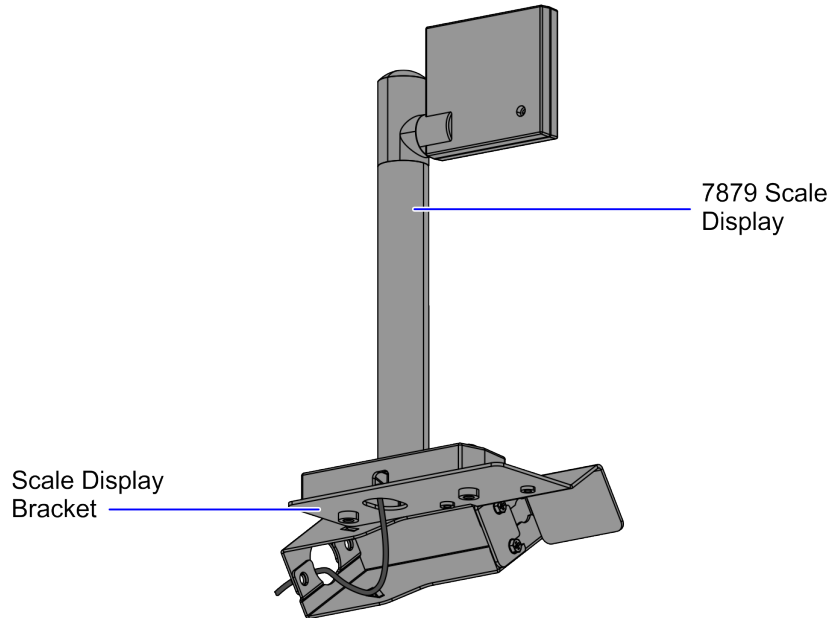
CCP-84276

3. Install the 7879 Scale Display on the Scale Display Bracket by doing the following:

Note

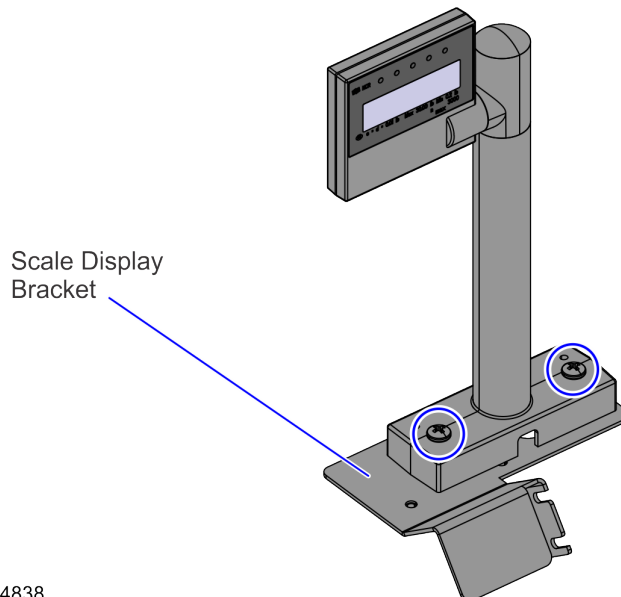
The 7879 Scale Display is supplied by the customer.

- a. Insert the 7879 Scale Display cable down through the cable access hole of the Scale Display Bracket.




CCP-84842

- b. Secure the 7879 Scale Display on the Scale Display Bracket using two (2) M6 pan head screws, as shown in the image below.

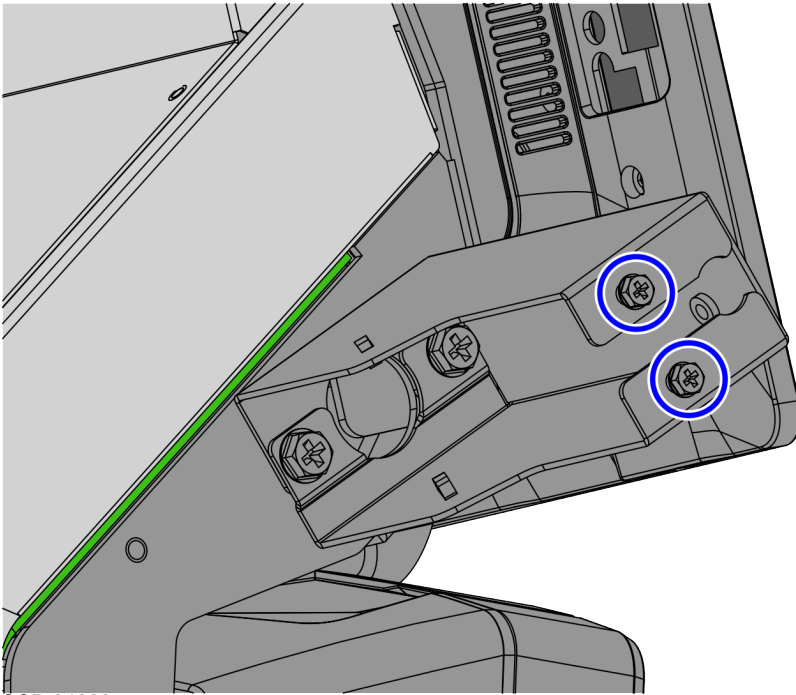


CCP-84838

4. Attach two (2) M4 hex screws on the two (2) screw holes of the Handheld Scanner Arm, as shown in the image below.

 **Note**

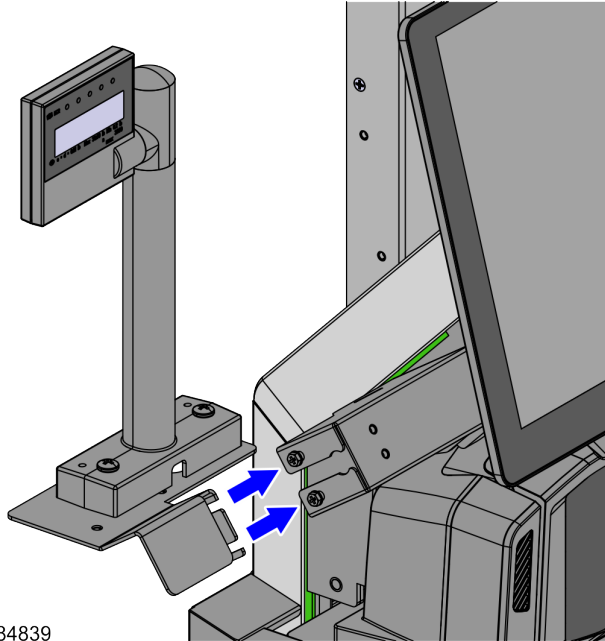
Ensure not to tighten the screws to leave a gap.



CCP-84823

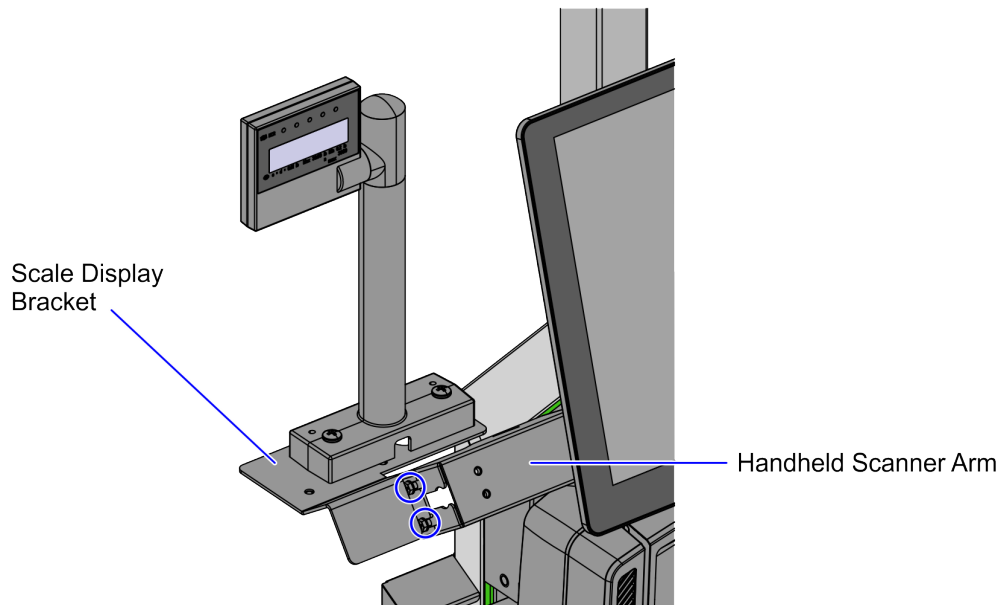
5. Do the following:

a. Align and insert the two (2) slots into the gaps of the two (2) loose screws.



CCP-84839

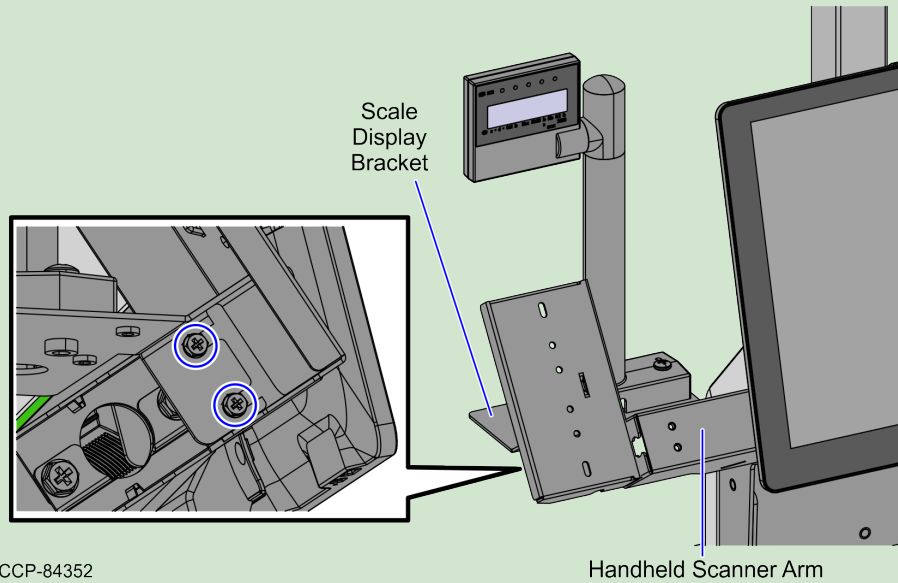
b. Tighten the two (2) screws to secure the assembly in place.



CCP-84339

 **Note**

If the unit is configured with a Handheld Scanner, the Handheld Scanner mount is installed first before mounting the Scale Display assembly, as shown in the image below.



6. Route the Remote Scale Display cable. For more information, refer to "[Routing the 7879 Scale Display cable](#)" on the next page

 **Note**

The Remote Scale Display and its cable are not included in the kit.

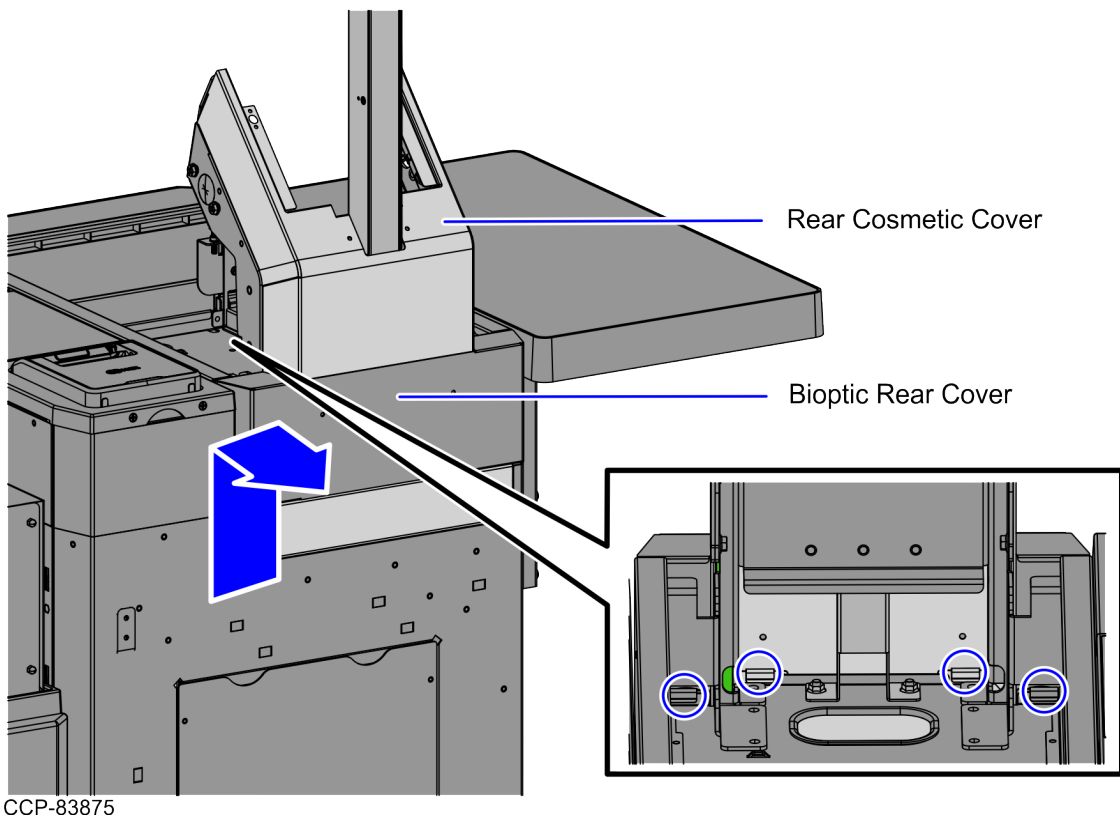
Routing the 7879 Scale Display cable

To route the 7879 Scale Display cable, follow these steps:

1. Install the Scale Display Assembly. For more information, refer to "[Installing the Remote Scale Display Mount for Flag 7879 Scale Display](#)" on page 9.
2. Open the Tower Cabinet. For more information, refer to "[Opening the Tower Cabinet](#)" on page 7.
3. Pull up the Rear Cover assembly to disengage the four (4) hooks from the tabs of the Scanner/Scale Bucket, as shown in the image below.

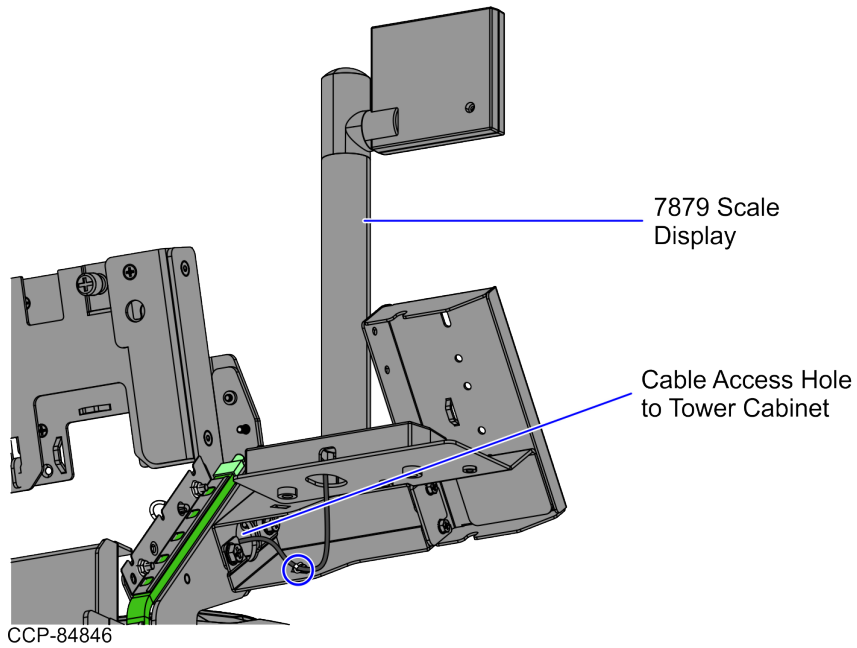
Note

Set aside the Rear Cover assembly for reinstallation.

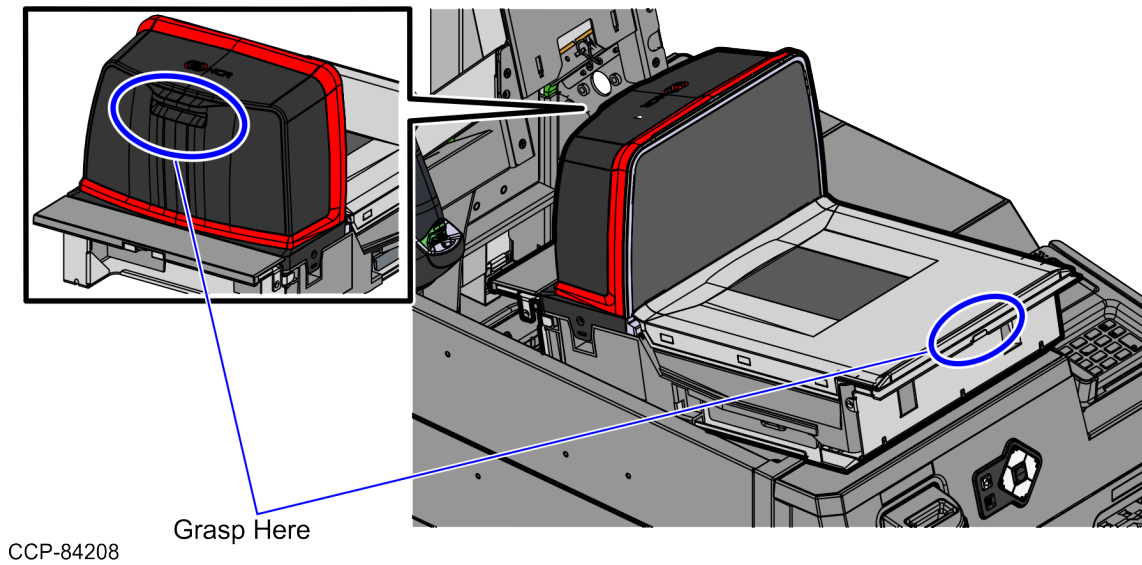


4. Do the following:
 - a. Route the cable under the Handheld Scanner arm and then into the cable access hole of the Tower Cabinet.

- b. Secure the cable on the bridge lance using a cable tie, as shown in the image below.



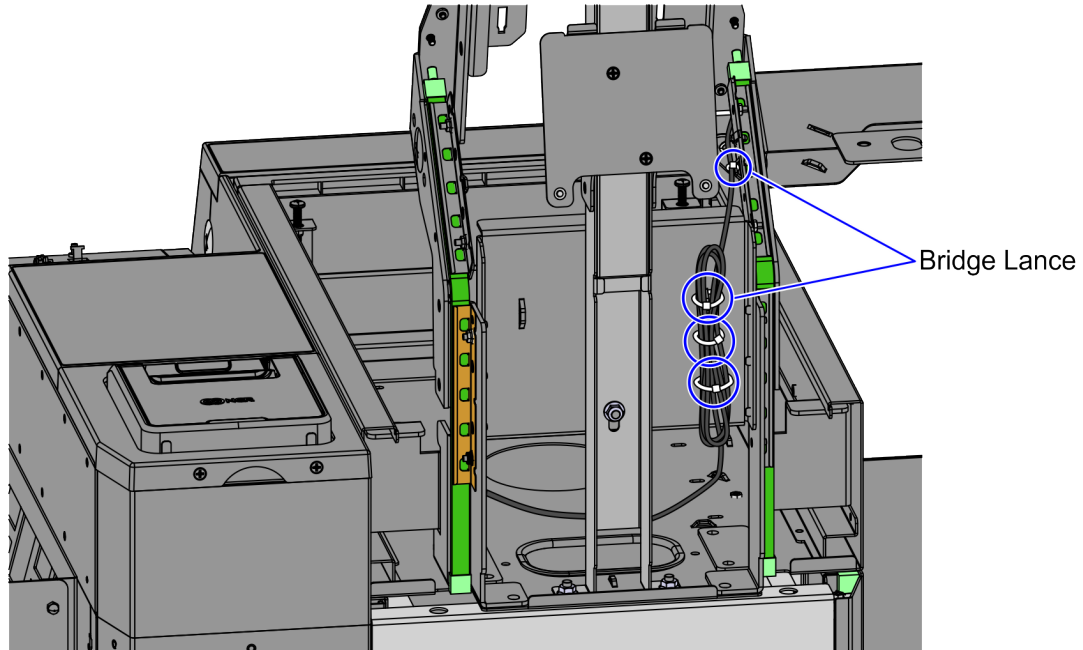
5. Lift the front handle of the Scanner/Scale and then push the back of the Scanner/Scale to the front to remove it from the Scanner Bucket, as shown in the image below.



- Route and secure the cable along with the cable bundle on the bridge lance on the Tower Cabinet, as shown in the image below.

Note

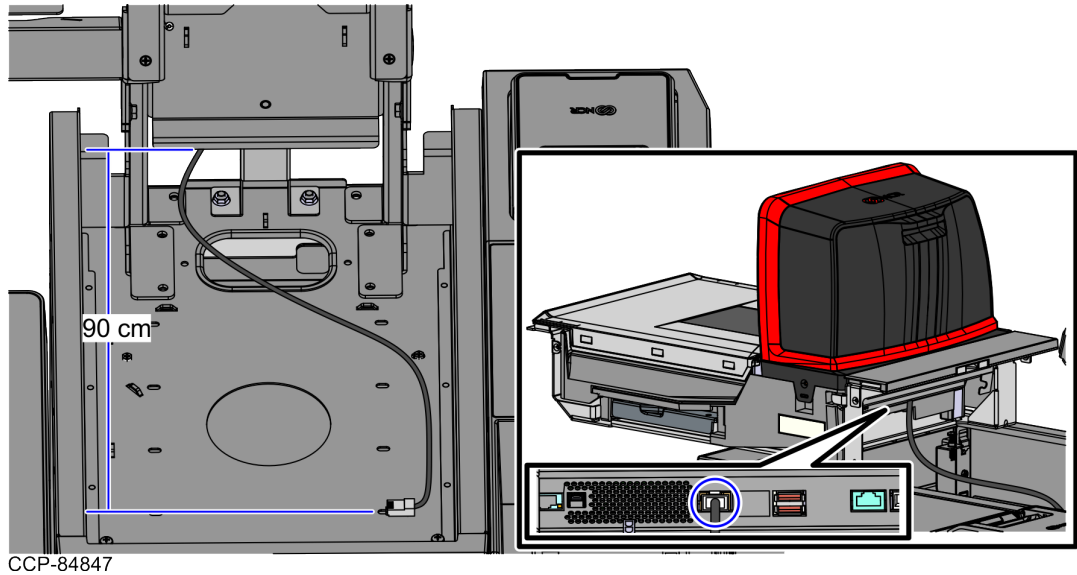
Ensure that the length of the cable bundle is measured 22 cm.



CCP-84844

7. Do the following:

- a. From the back of the Scanner Bucket, measure 90 cm to the cable connector.
- b. Connect the cable to the **Scale Display** port of the 7879 Scanner/Scale, as shown in the image below.

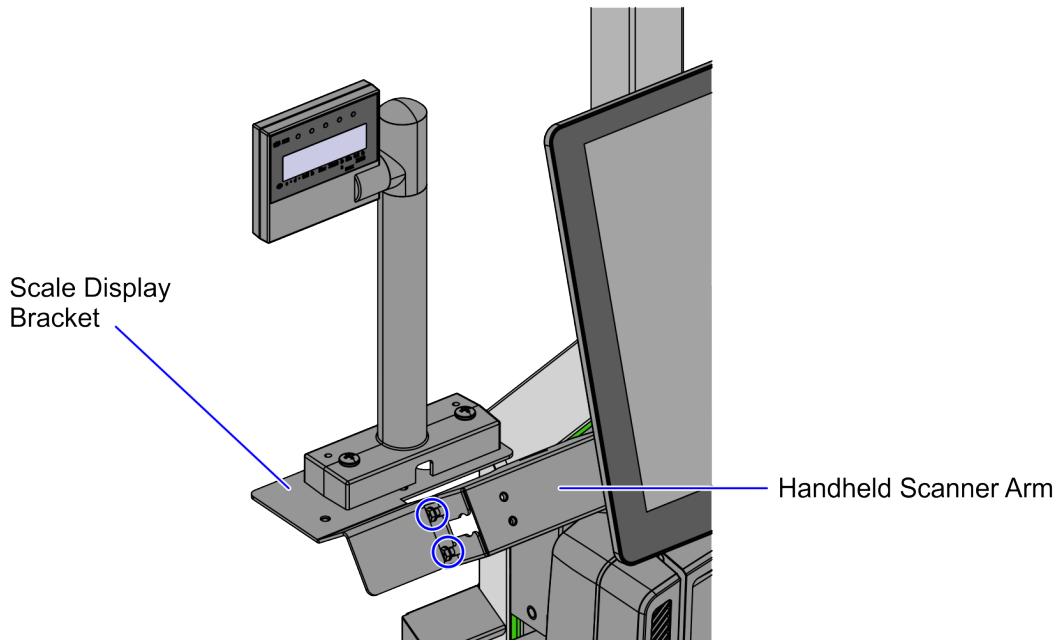


CCP-84847

Removing the Remote Scale Display Mount for Flag 7879 Scale Display

To install the Remote Scale Display Mount, follow these steps:

1. Turn off the Common Product Name software and hardware systems.
- 2.
3. Disconnect the Scale Display cable from the 7879 Scanner/Scale.
4. Loosen two (2) M4 hex screws to detach the Scale Display Bracket from the Handheld Scanner Arm, as shown in the image below.

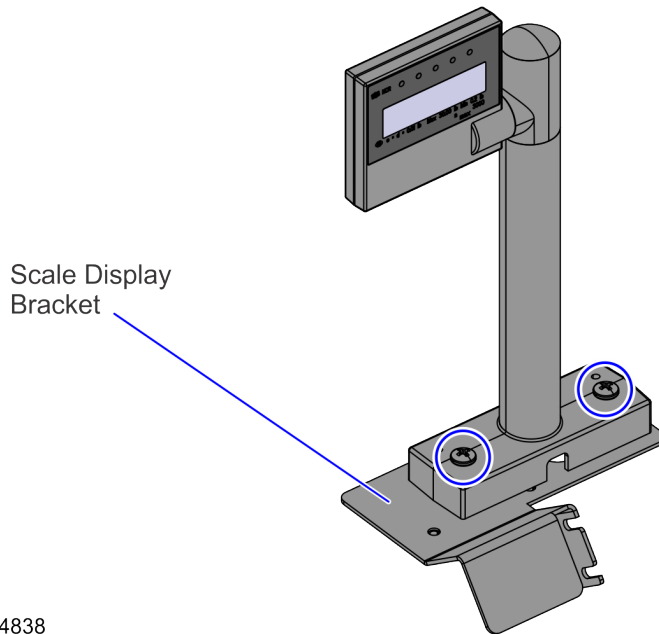


CCP-84339

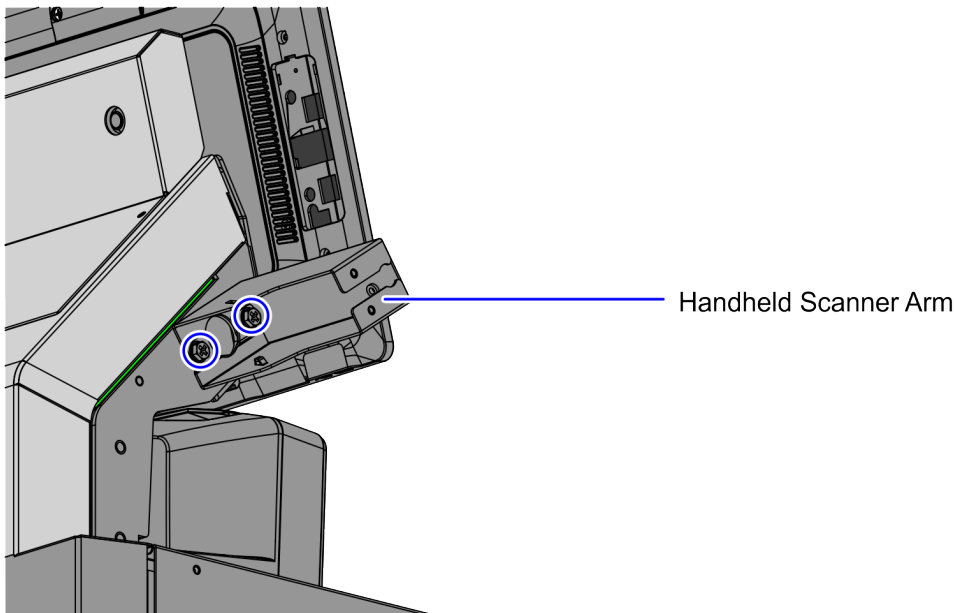
5. Remove two (2) M6 screws to detach the 7879 Scale Display from the Scale Display Bracket, as shown in the image below.

Note

The 7879 Scale Display is supplied by the customer.



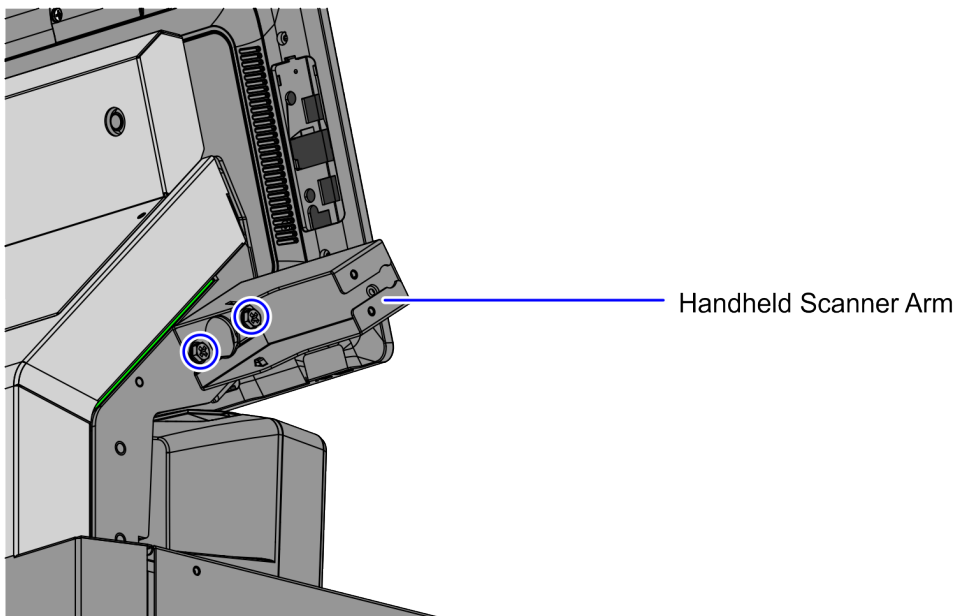
6. Remove two (2) M6 hex screws to detach the Handheld Scanner Arm, as shown in the image below.



Installing the Remote Scale Display Mount for 7895 Scale Display

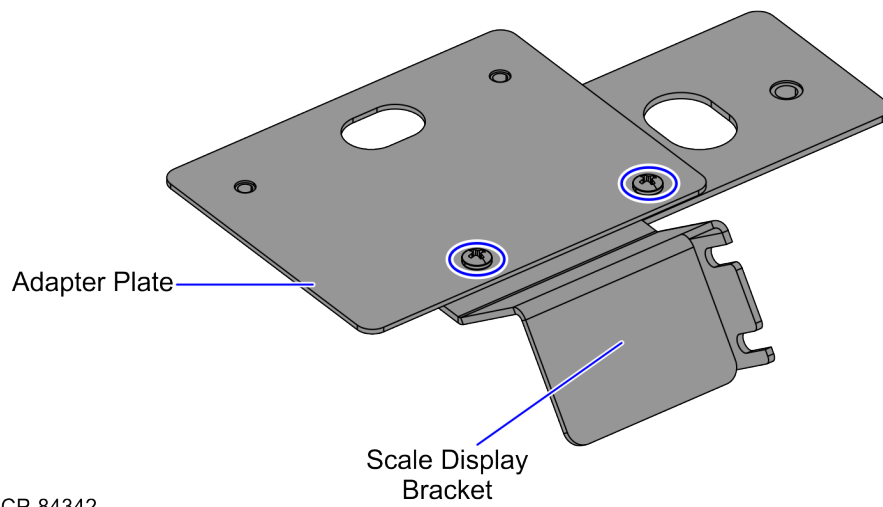
To install the Remote Scale Display Mount, follow these steps:

1. Remove the existing Remote Scale Display Mount, if necessary. For more information, refer to "[Removing the Remote Scale Display Mount for 7895 Scale Display](#)" on page 32 .
2. Attach the Handheld Scanner Arm to the Tower using two (2) M6 hex screws, as shown in the image below.



CCP-84276

3. Install the Adapter Plate for 7895 Scale Display on the Scale Display Bracket using two (2) M4 thread locking screws, as shown in the image below.



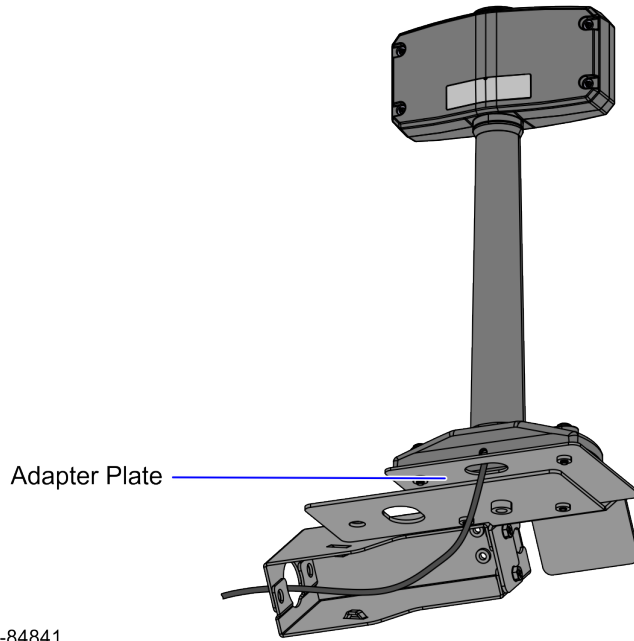
CCP-84342

4. Install the 7895 Scale Display on the Scale Display Bracket by doing the following:

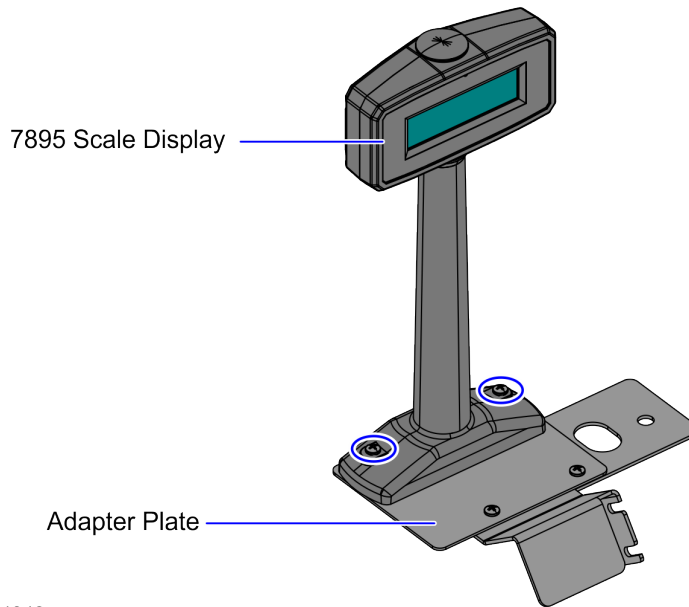
Note

The 7895 Scale Display is supplied by the customer.


- a. Insert the 7895 Scale Display cable down through the cable access hole of the Adapter Plate.



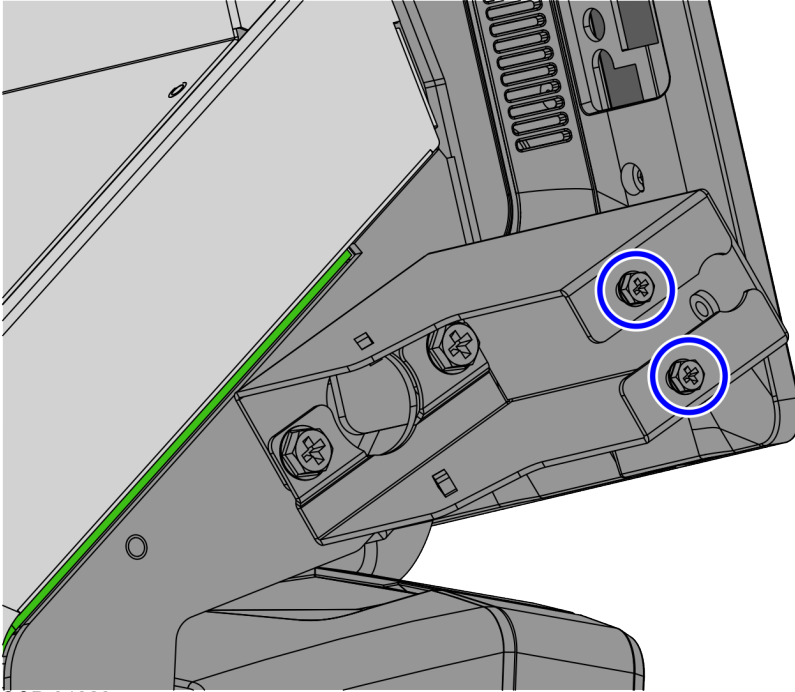
- b. Secure the 7895 Scale Display on the Adapter Plate using two (2) M4 pan head screws, as shown in the image below.



5. Attach two (2) M4 hex screws on the two (2) screw holes of the Handheld Scanner Arm, as shown in the image below.

 **Note**

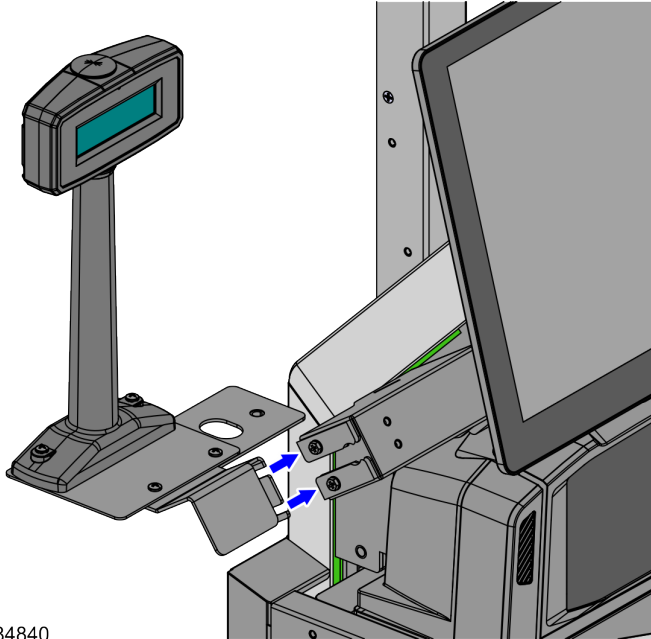
Ensure not to tighten the screws to leave a gap.



CCP-84823

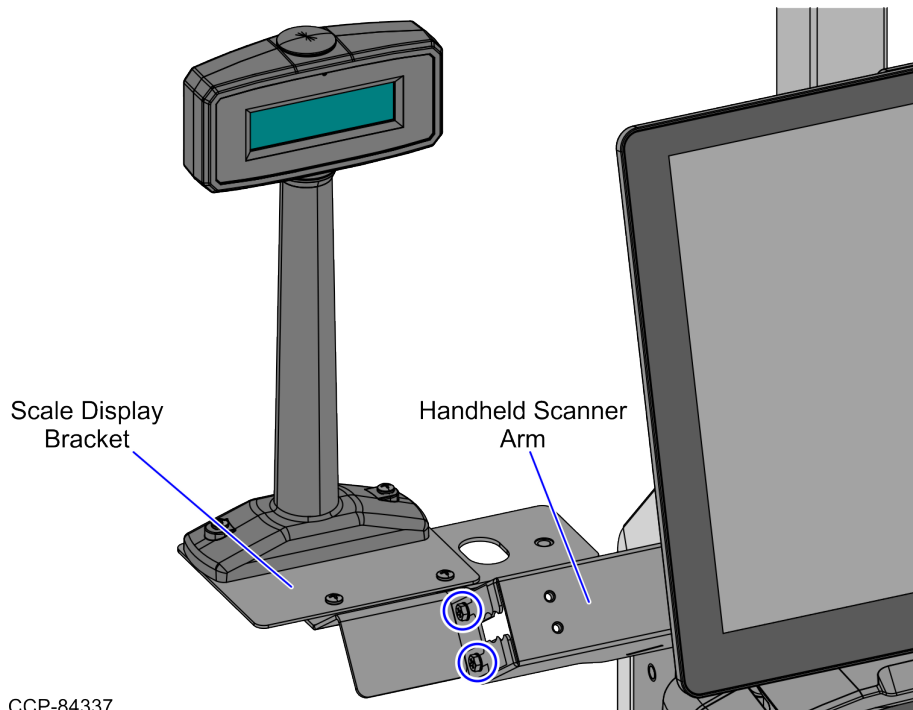
6. Do the following:

a. Align and insert the two (2) slots into the gaps of the the two (2) loose screws.



CCP-84840

b. Tighten the two (2) screws to secure the assembly in place.

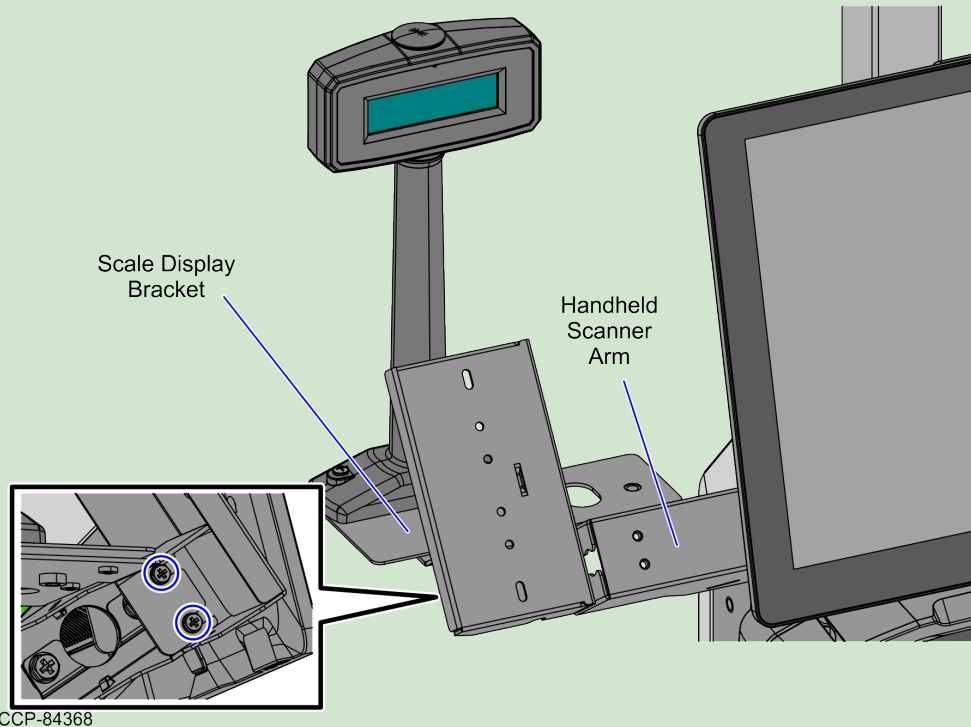


CCP-84337

Confidential and proprietary information of NCR Voyix.
Use and disclose solely pursuant to company instructions.

 **Note**

If the unit is configured with a Handheld Scanner, the Handheld Scanner mount is installed first before mounting the Scale Display assembly, as shown in the image below.



7. Route the Remote Scale Display cable. For more information, refer to "[Routing the 7895 Scale Display cable](#)" on the next page

 **Note**

The Remote Scale Display and its cable are not included in the kit.

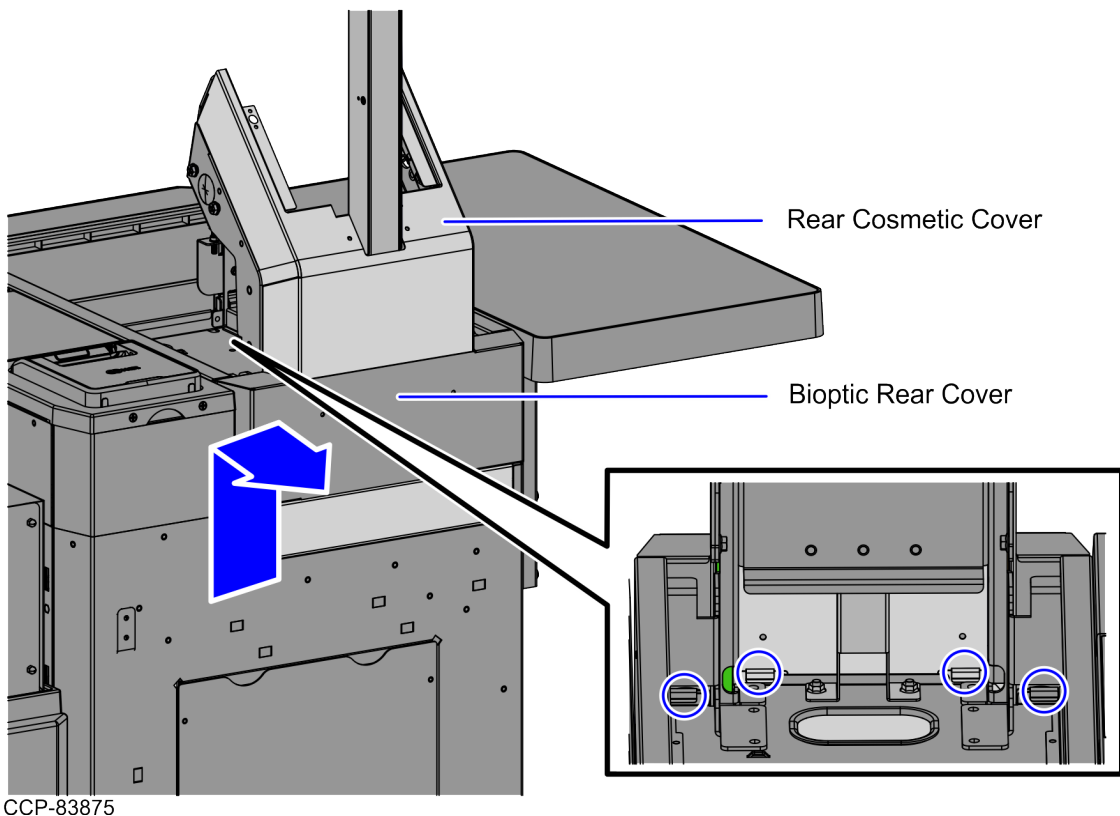
Routing the 7895 Scale Display cable

To route the 7895 Scale Display cable, follow these steps:

1. Install the Scale Display Assembly. For more information, refer to "[Installing the Remote Scale Display Mount for 7895 Scale Display](#)" on page 20.
2. Open the Tower Cabinet. For more information, refer to "[Opening the Tower Cabinet](#)" on page 7.
3. Pull up the Rear Cover assembly to disengage the four (4) hooks from the tabs of the Scanner/Scale Bucket, as shown in the image below.

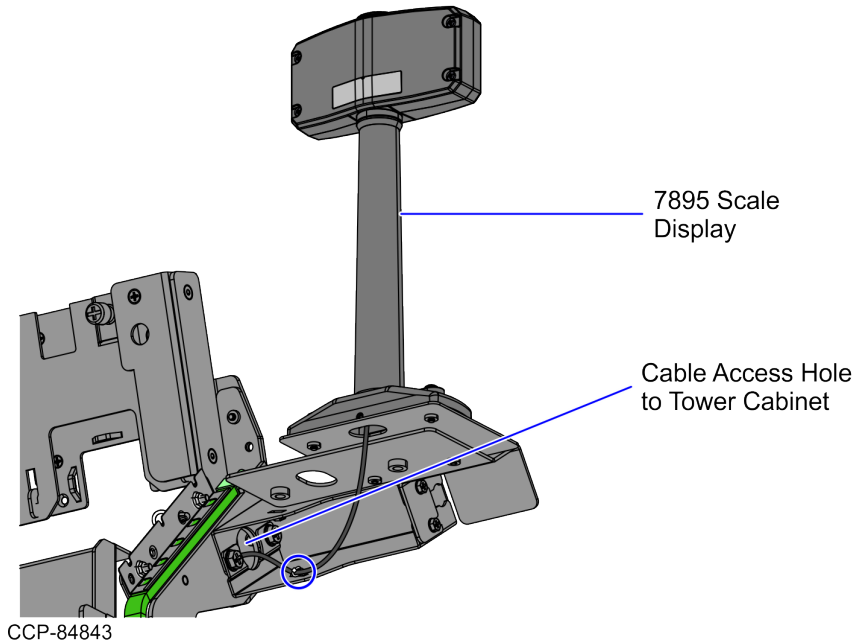
Note

Set aside the Rear Cover assembly for reinstallation.



4. Do the following:
 - a. Route the cable under the Handheld Scanner arm and then into the cable access hole of the Tower Cabinet.

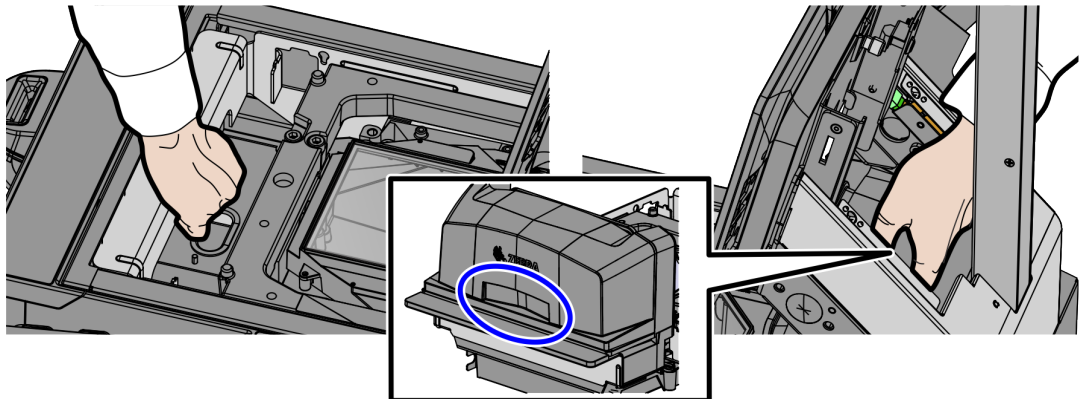
- b. Secure the cable on the bridge lance using a cable tie, as shown in the image below.



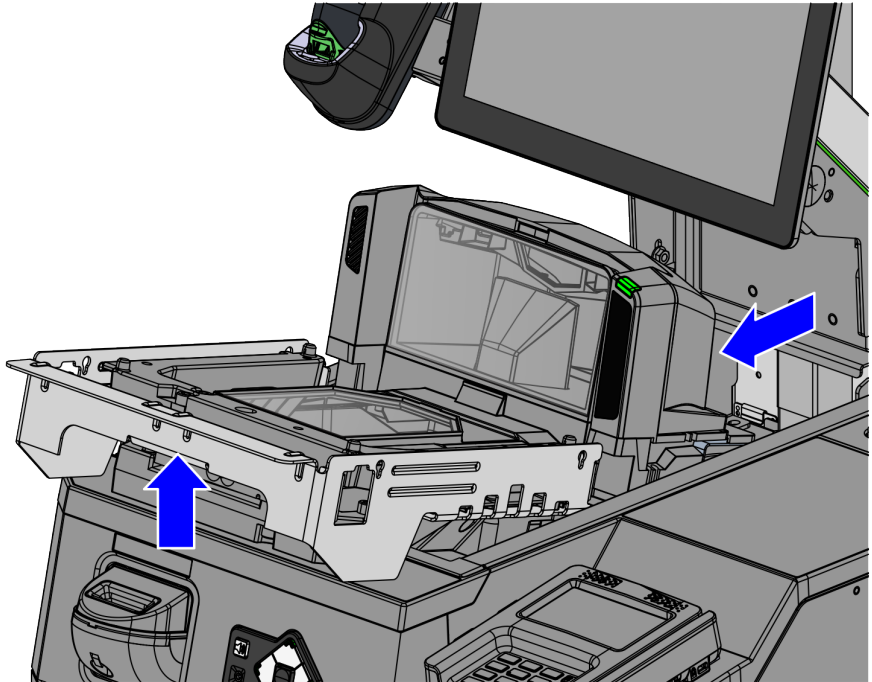
5. Remove the Scanner/Scale Top Plate. For more information, refer to ["Removing the 7895 Scanner/Scale Top Plate"](#) on page 31.

6. Do the following:

- a. Grasp the front of the Scanner/Scale and the back of the Scanner/Scale through the Tower Cabinet rear opening, as shown in the image below.



- b. Lift the front handle of the Scanner/Scale and then push the back of the Scanner/Scale to the front to remove it from the Scanner Bucket, as shown in the image below.

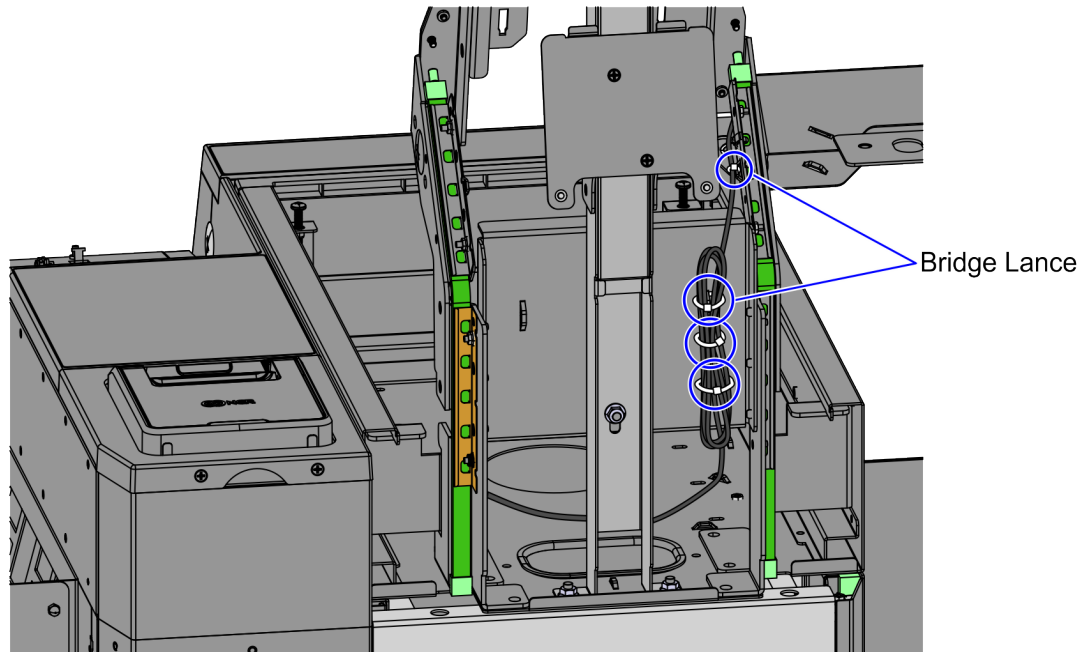


CCP-84257

7. Route and secure the cable along with the cable bundle on the bridge lance on the Tower Cabinet, as shown in the image below.

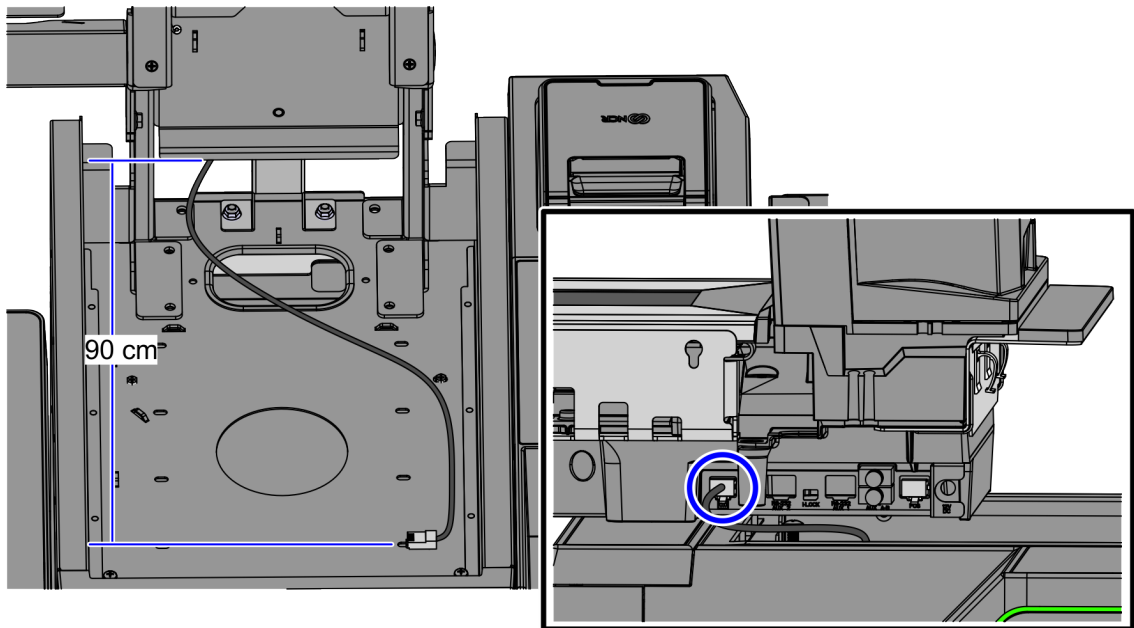
Note

Ensure that the length of the cable bundle is measured 16 cm.



CCP-84844

8. From the back of the Scanner Bucket, measure 90 cm to the cable connector and then connect it to the **Scale Display** port of the 7895 Scanner/Scale, as shown in the image below.

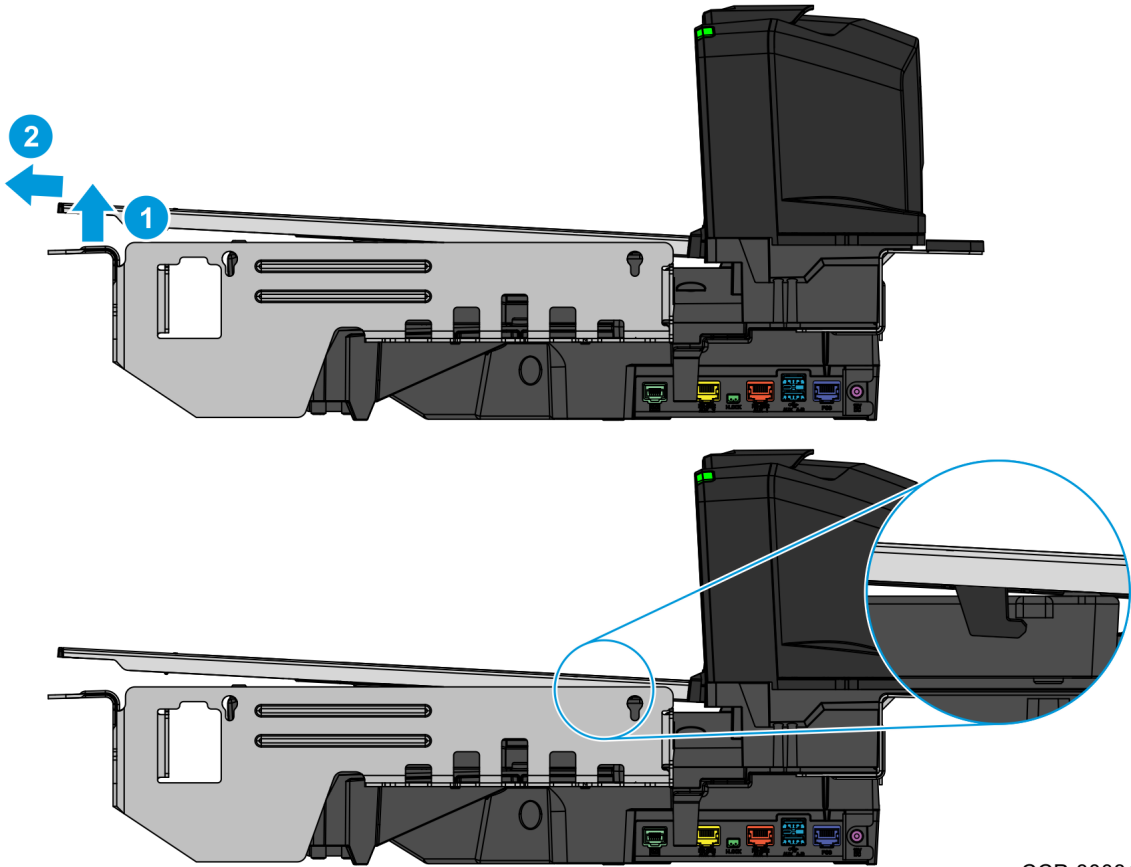


CCP-84845

Removing the 7895 Scanner/Scale Top Plate

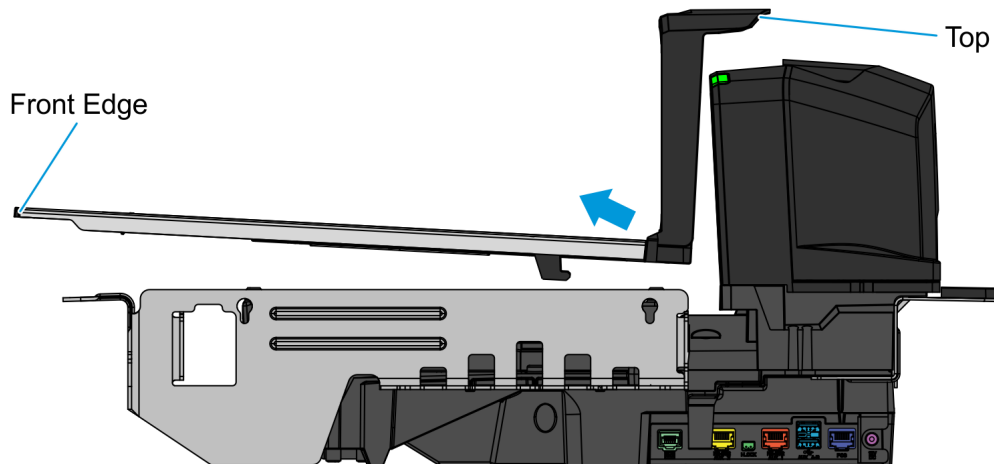
To remove the 7895 Scanner/Scale Top Plate, follow these steps:

1. Slightly lift up the front edge of the Top Plate and slide the Top Plate forward until its hooks are released from the positioning tabs on the scale.



CCP-80081

2. Hold the front edge and the top of the Top Plate to lift it off the Scanner/Scale.

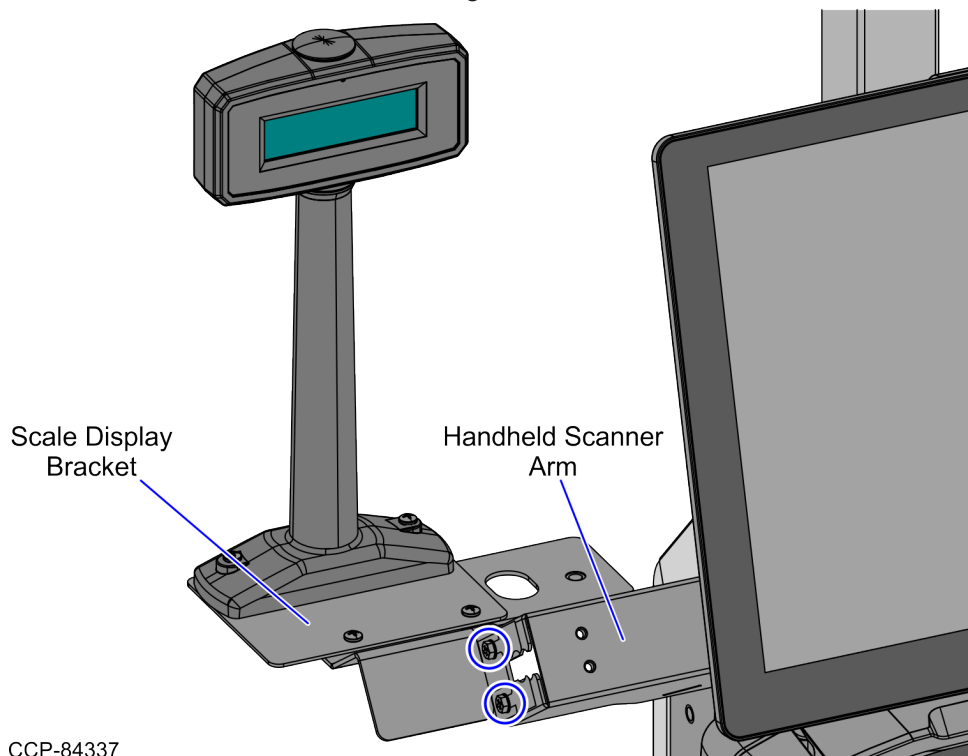


CCP-80080

Removing the Remote Scale Display Mount for 7895 Scale Display

To install the Remote Scale Display Mount, follow these steps:

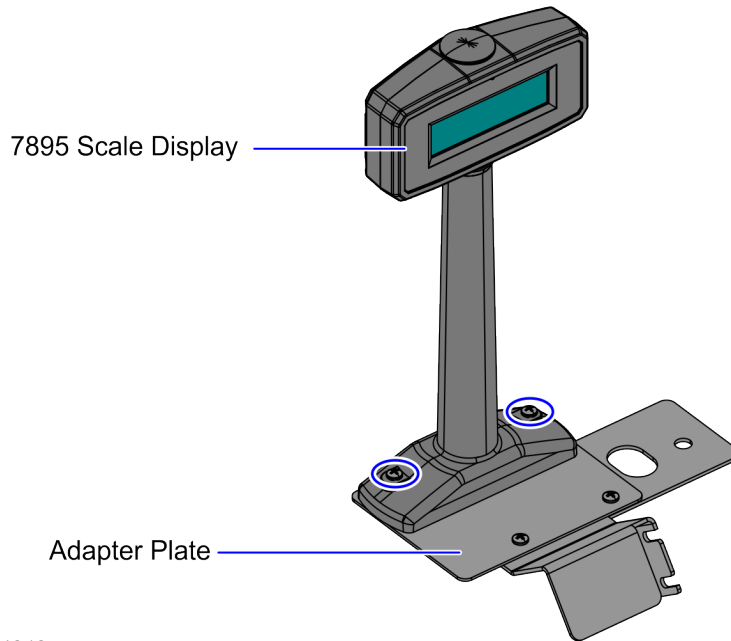
1. Turn off the Common Product Name software and hardware systems.
2. Disconnect the Scale Display cable from the 7879 Scanner/Scale.
3. Loosen two (2) M4 x 10 screws to detach the Scale Display Bracket from the Handheld Scanner Arm, as shown in the image below.



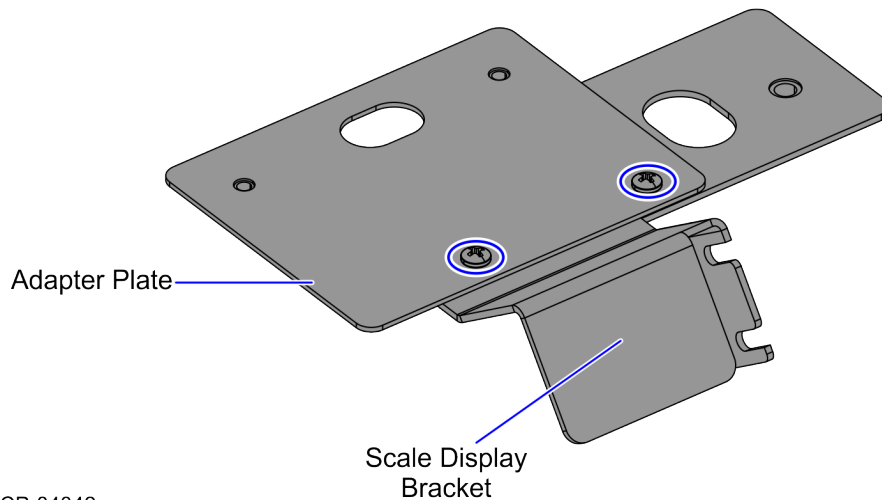
4. Remove two (2) M4x20 screws to detach the 7895 Scale Display from the Adapter Plate, as shown in the image below.

Note

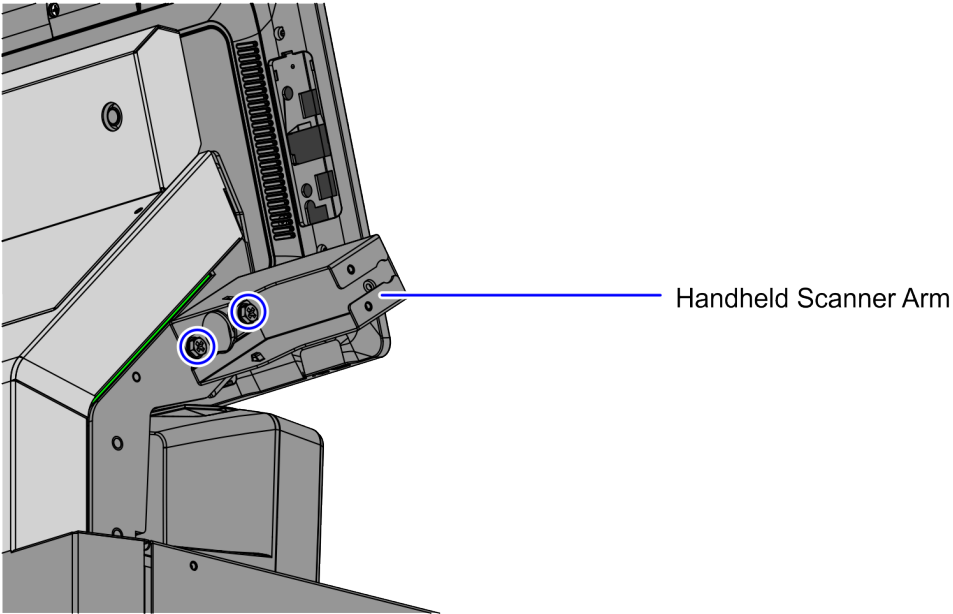
The 7895 Scale Display is supplied by the customer.



5. Remove two (2) M4x6 screws to detach the Adapter Plate from the Scale Display Bracket, as shown in the image below.



6. Remove two (2) M6 hex screws to detach the Handheld Scanner Arm, as shown in the image below.



CCP-84276