



Kit Instructions

220V Uninterruptible Power Supply (UPS)



7371-K812

Issue A

Copyright and Trademark Information

The product described in this document is a licensed product of NCR Voyix Corporation.

NCR Voyix SCO Hardware is a trademark of NCR Voyix Corporation in the United States and/or other countries. Other product names mentioned in this publication may be trademarks or registered trademarks of their respective companies and are hereby acknowledged.

Where creation of derivative works, modifications or copies of this NCR Voyix copyrighted documentation is permitted under the terms and conditions of an agreement you have with NCR Voyix, NCR Voyix's copyright notice must be included.

Disclaimer:

It is the policy of NCR Voyix Corporation to improve products as technology, components, software and firmware become available. NCR Voyix therefore reserves the right to change specifications without prior notice.

All features, functions and operations described herein may not be marketed by NCR Voyix in all parts of the world. In some instances, photographs are of equipment prototypes.

Therefore, before using this document, consult with your NCR Voyix representative or NCR Voyix office for information that is applicable and current.

© 2024

By NCR Voyix Corporation

Atlanta, Georgia, USA

All Rights Reserved

Revision Record

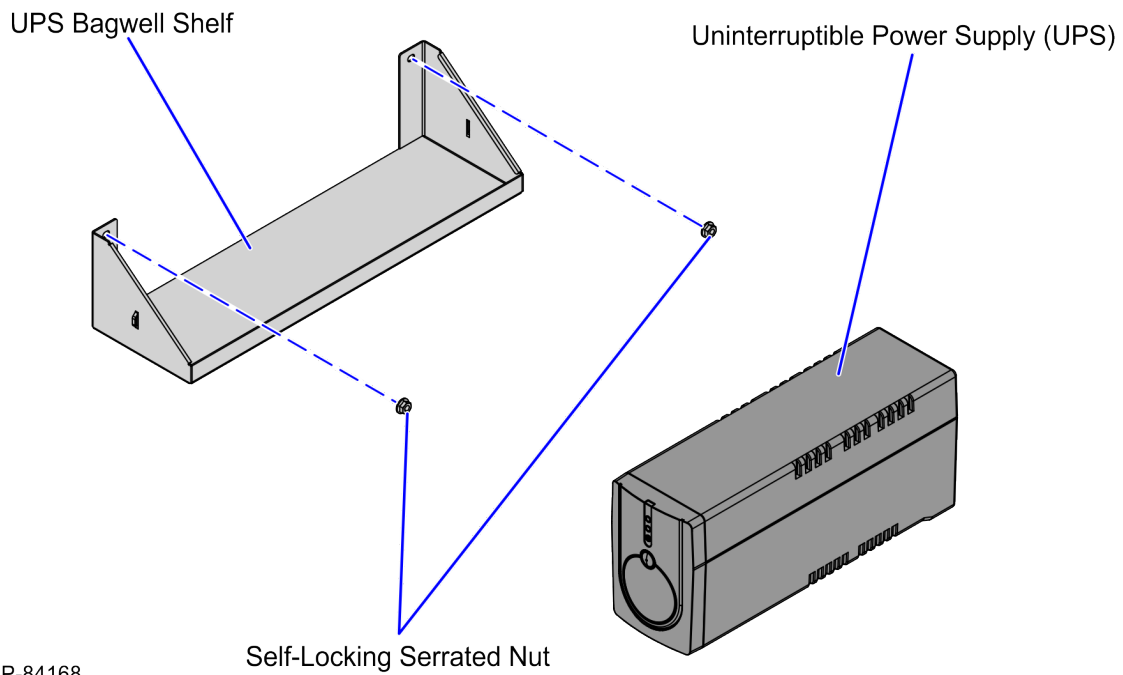
Issue	Date	Remarks
A	Oct 2024	First issue.

7371 - K812 220V Uninterruptible Power Supply (UPS)

This publication provides procedures on installing the 7371-K812 220V UPS on any of the following Self-Checkout units:

- 7371 NCR Voyix SCO Full Function
- 7371 NCR Voyix SCO Full Function Hybrid
- 7372 NCR Voyix SCO Card Only
- 7372 NCR Voyix SCO Kiosk
- 7371 SCO CTM

Kit Contents



CCP-84168

Part Number	Description
497-0535236	7371-K812 220V UPS
*497-0413916	Cable - IEC AC Power, 2ft
*006-8628697	Cable - USB Type A to Type B - High Speed (480 Mbps) - 1800 mm (28/24)
*497-0420134	Cable - IEC AC, 6 ft
497-0534154	UPS (N70i-800) HV 230V 800VA with USB Communication Port and EMC Improvements
006-8628707	Serrated Nut - Self Locking (M6, 6) (2 pcs)
497-0533464	Bagwell, Shelf, UPS

* Items marked with an asterisk are not called out on the image.

Installation Procedures

To install the 220V UPS, refer to any of the following procedures depending on the type of unit:

- ["Installing the UPS: 7371 NCR Voyix SCO Hardware"](#) on the next page
- ["Installing the UPS: 7372 NCR Voyix SCO Card Only"](#) on page 7
- ["Installing the UPS: 7372 NCR Voyix SCO Kiosk"](#) on page 11



Note

If the 7372 NCR Voyix SCO unit is configured with a Bagwell, the UPS is located inside the Bagwell. If there is no Bagwell, install the UPS in a location that is not easily accessible by store customers. The customer is responsible for the final location of the UPS.



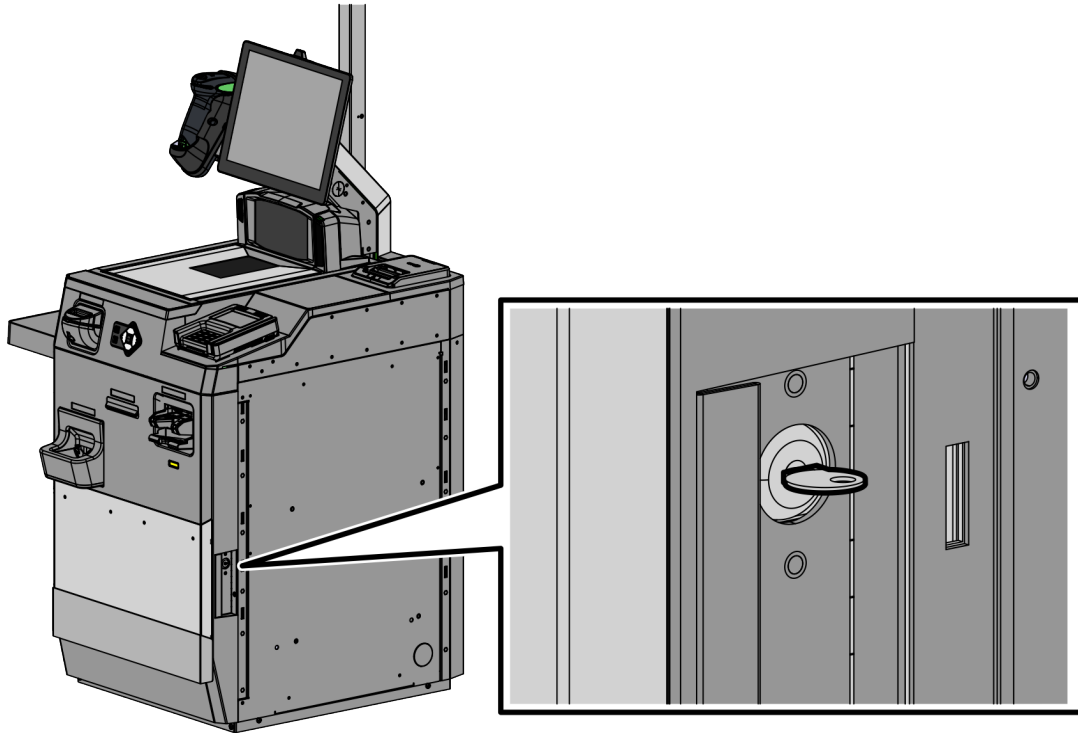
Note

Only install the UPS Bagwell Shelf on units that have a Bagwell.

Installing the UPS: 7371 NCR Voyix SCO Hardware

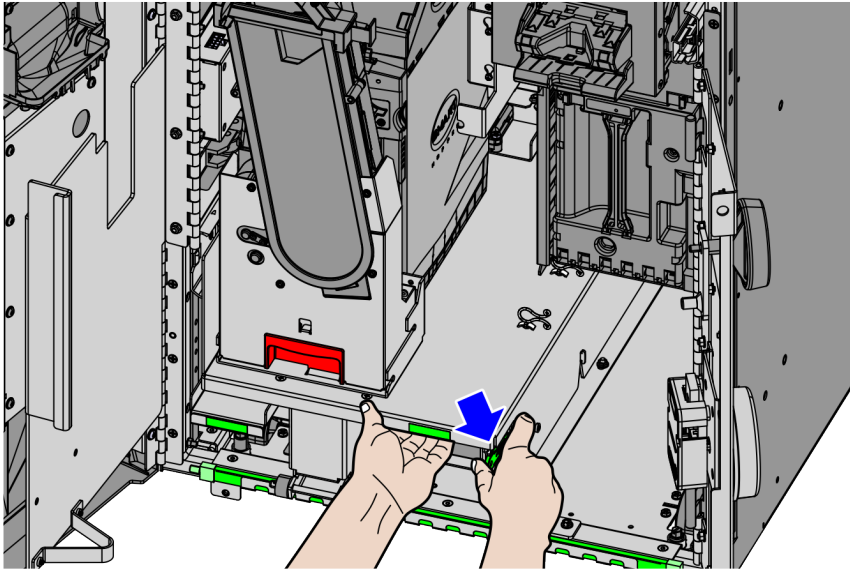
To install the UPS, follow these steps:

1. Open the Core (Cabinet) using a key.



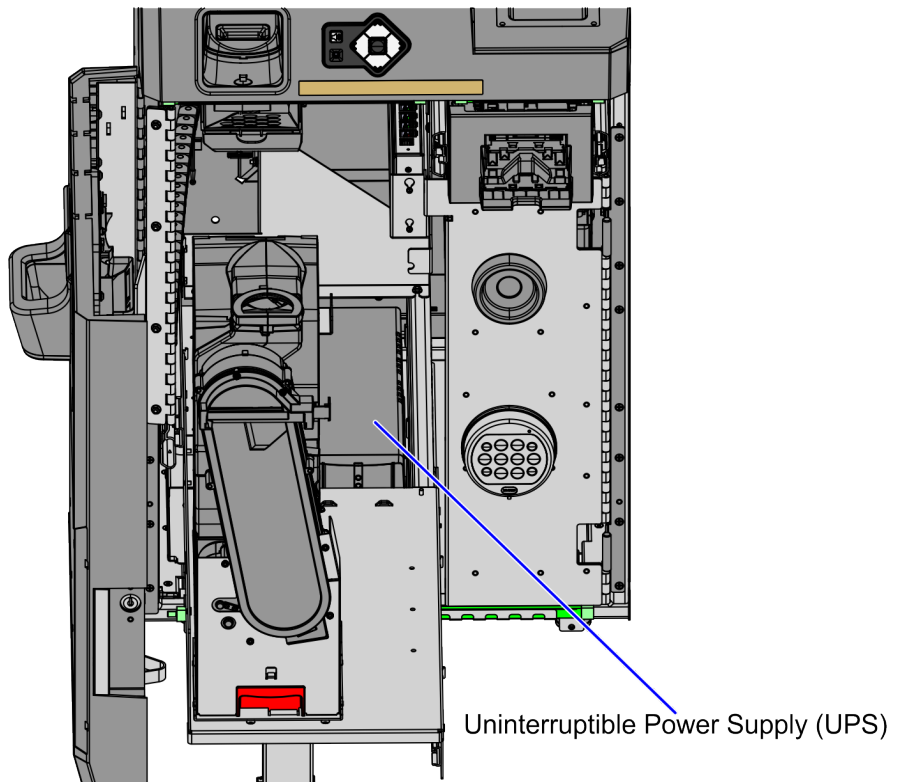
CCP-84253

2. Push the green latch and rack out the Coin Recycler Tray.



CCP-84218

3. Place the UPS on the base of the unit. Ensure that the UPS is fixed in position.



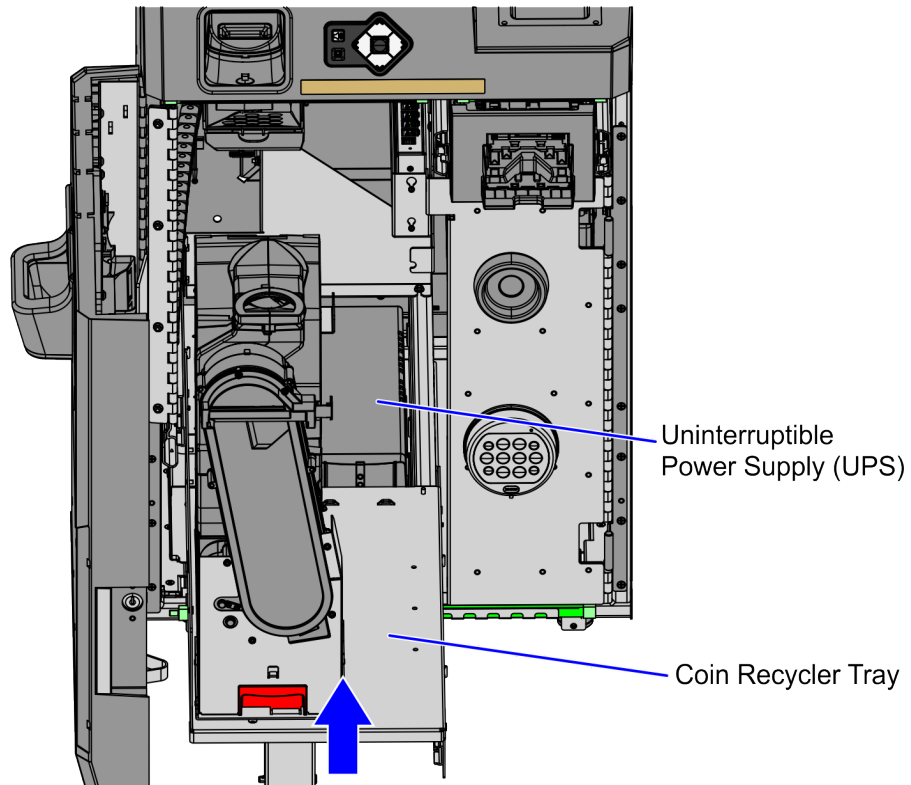
CCP-84603

4. Connect the cables to the UPS. For more information, refer to ["Routing the cables: 7371 NCR Voyix SCO Hardware"](#) on page 16.

5. Push the Coin Recycler Tray back into place.

Note

The illustration below shows a unit with an SCS Coin Recycler (ITL). Other units may be installed with a CR500 Coin Recycler, depending on the configuration.



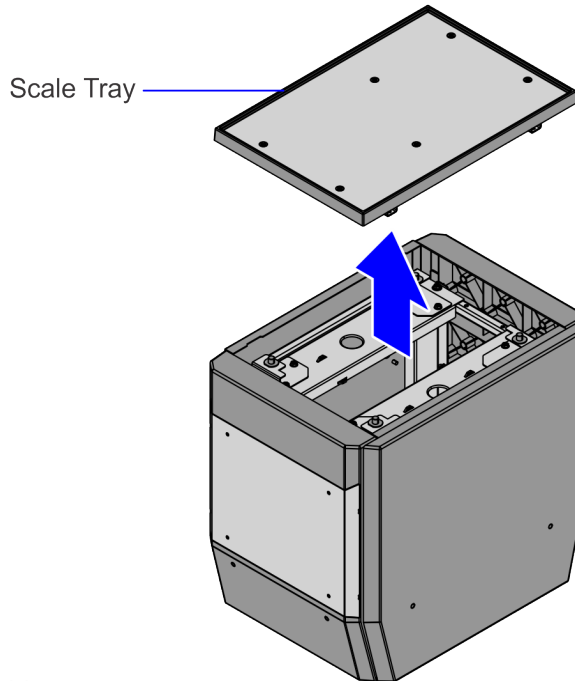
CCP-84604

6. If immediate or abnormal shutdowns were experienced in the field prior to the UPS battery failure, perform the following steps before replacing the UPS:
 - a. Verify the input voltage status of the UPS.
 - b. Verify that the UPS conversion utility and firmware files are installed on the terminal.
 - c. Convert the UPS voltage to support running environment voltage, if necessary.
7. Plug the External AC Cable to the AC wall outlet and turn on the UPS.
8. Turn on the POS and then run the ADD utility to ensure the device is updated with the latest firmware.

Installing the UPS: 7372 NCR Voyix SCO Card Only

To install the UPS, follow these steps:

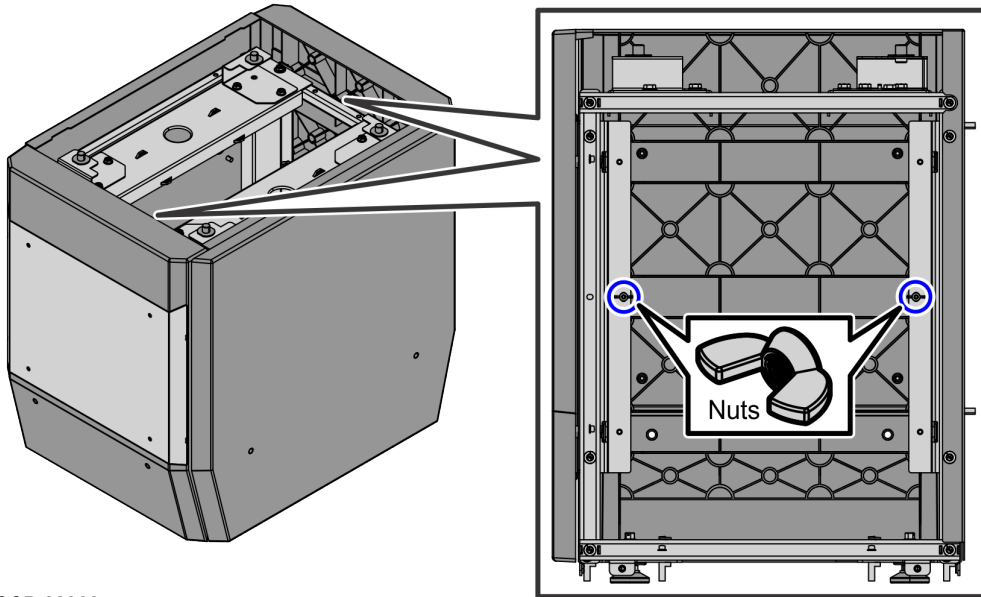
1. Lift and remove the Scale Tray off the Bagwell and the set it aside.



CCP-82958

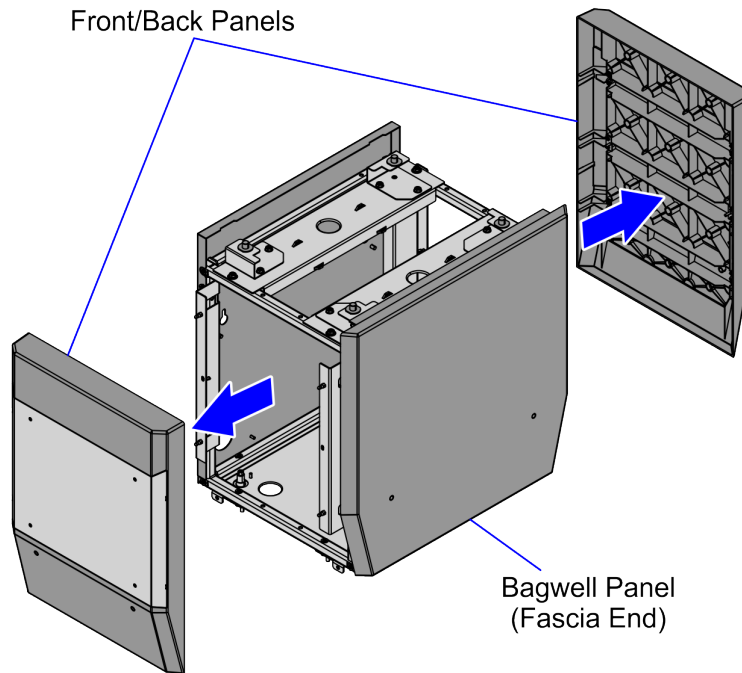
2. Remove the front and back Bagwell Panels. Do the following:

- a. Remove four (4) wing nuts from inside the Bagwell to detach the Front and Back Panels, as shown in the image below. Each panel has two (2) wing nuts.



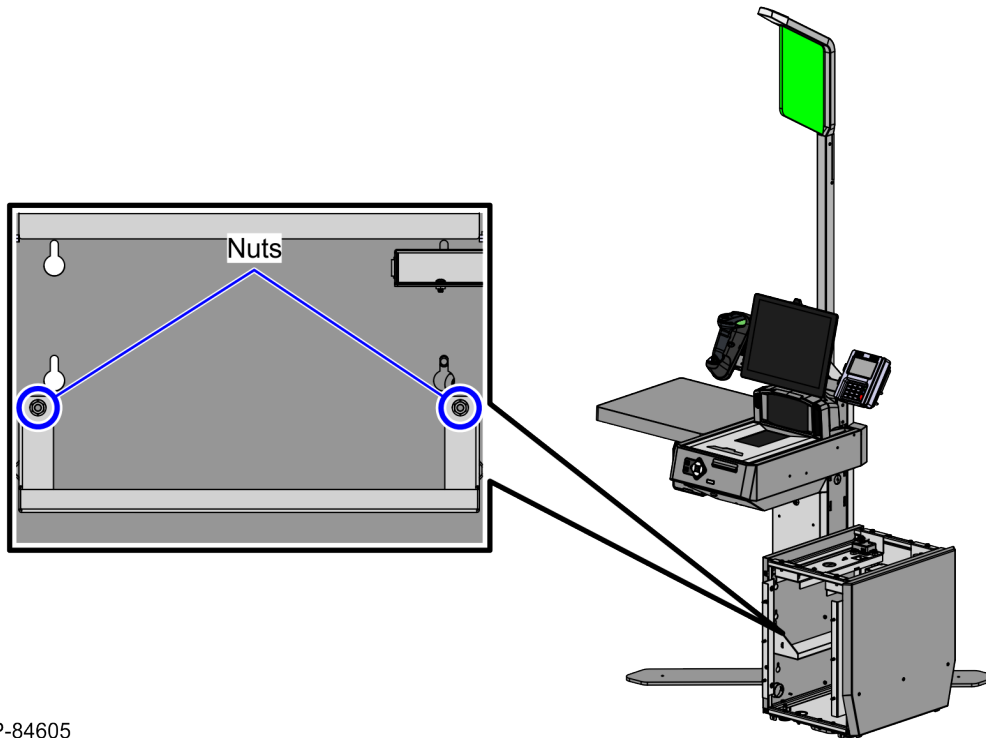
CCP-82960

- b. Pull to unclip the Front and Back Panels from the Bagwell Frame.



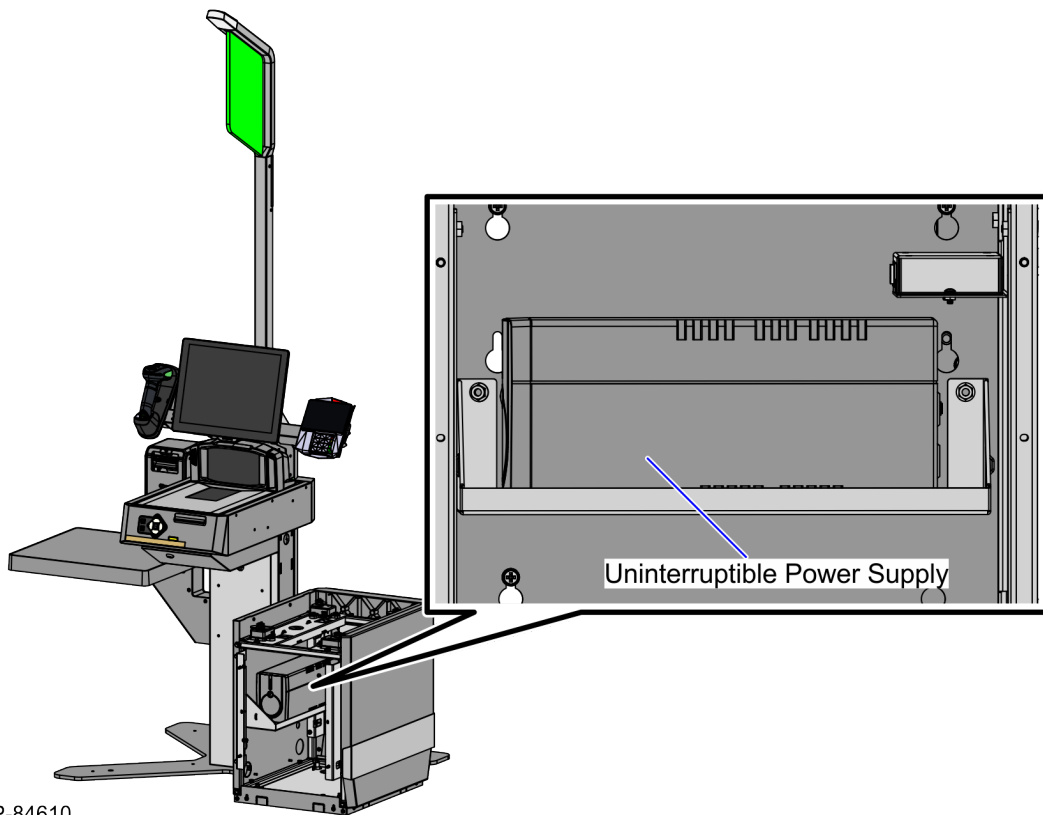
CCP-82961

3. Attach the UPS Bagwell Shelf to the Bagwell using two (2) nuts.



CCP-84605

4. Place the UPS on the UPS Bagwell Shelf.



CCP-84610

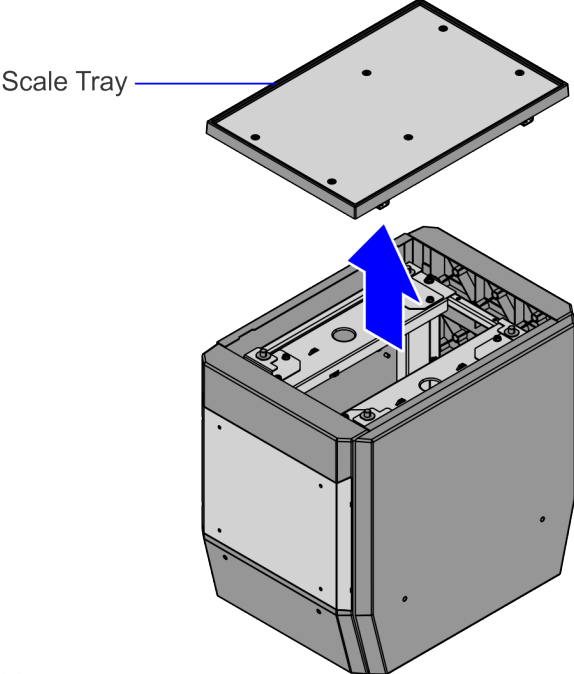
Confidential and proprietary information of NCR Voyix.
Use and disclose solely pursuant to company instructions.

5. Connect the cables to the UPS. For more information, refer to "[Routing the cables: 7372 NCR Voyix SCO Card Only](#)" on page 20.
6. If immediate or abnormal shutdowns were experienced in the field prior to the UPS battery failure, perform the following steps before replacing the UPS:
 - a. Verify the input voltage status of the UPS.
 - b. Verify that the UPS conversion utility and firmware files are installed on the terminal.
 - c. Convert the UPS voltage to support running environment voltage, if necessary.
7. Plug the External AC Cable to the AC wall outlet and turn on the UPS.
8. Turn on the POS and then run the ADD utility to ensure the device is updated with the latest firmware.

Installing the UPS: 7372 NCR Voyix SCO Kiosk

To install the UPS, follow these steps:

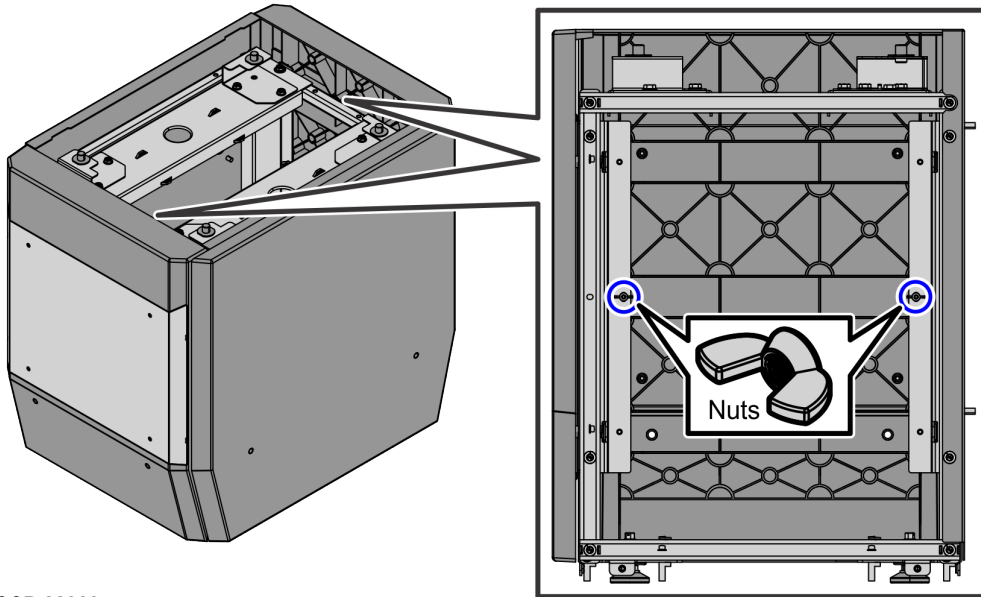
1. Lift and remove the Scale Tray off the Bagwell and the set it aside.



CCP-82958

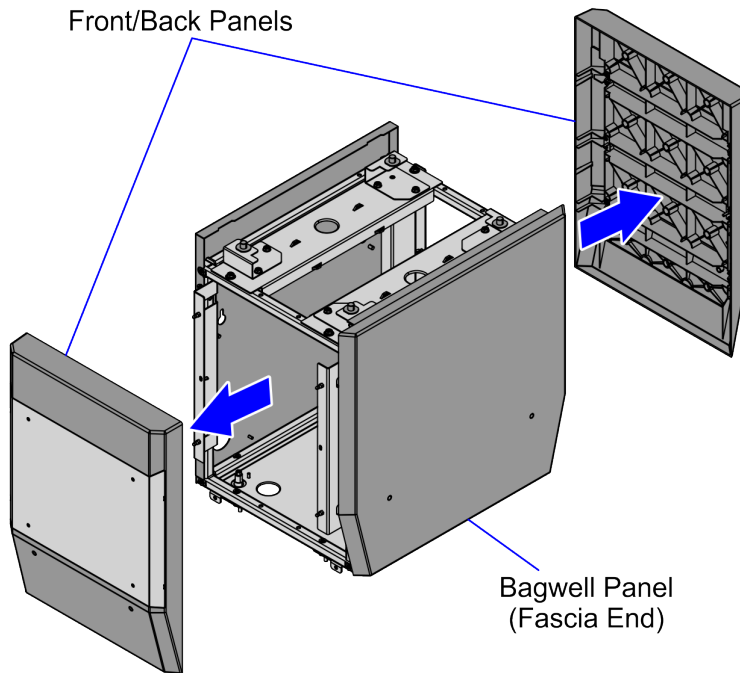
2. Remove the front and back Bagwell Panels. Do the following:

- a. Remove four (4) wing nuts from inside the Bagwell to detach the Front and Back Panels, as shown in the image below. Each panel has two (2) wing nuts.



CCP-82960

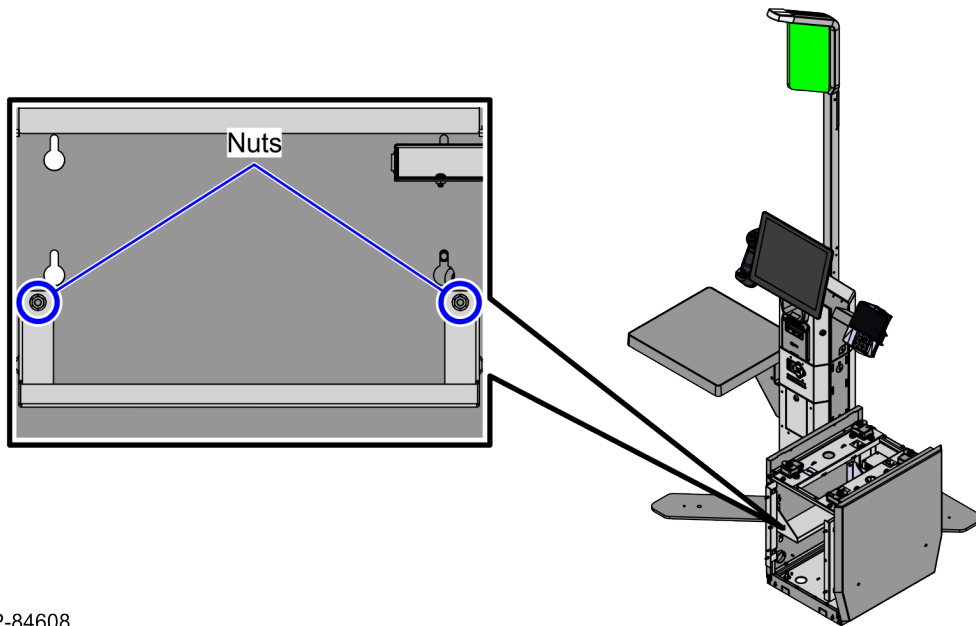
- b. Pull to unclip the Front and Back Panels from the Bagwell Frame.



CCP-82961

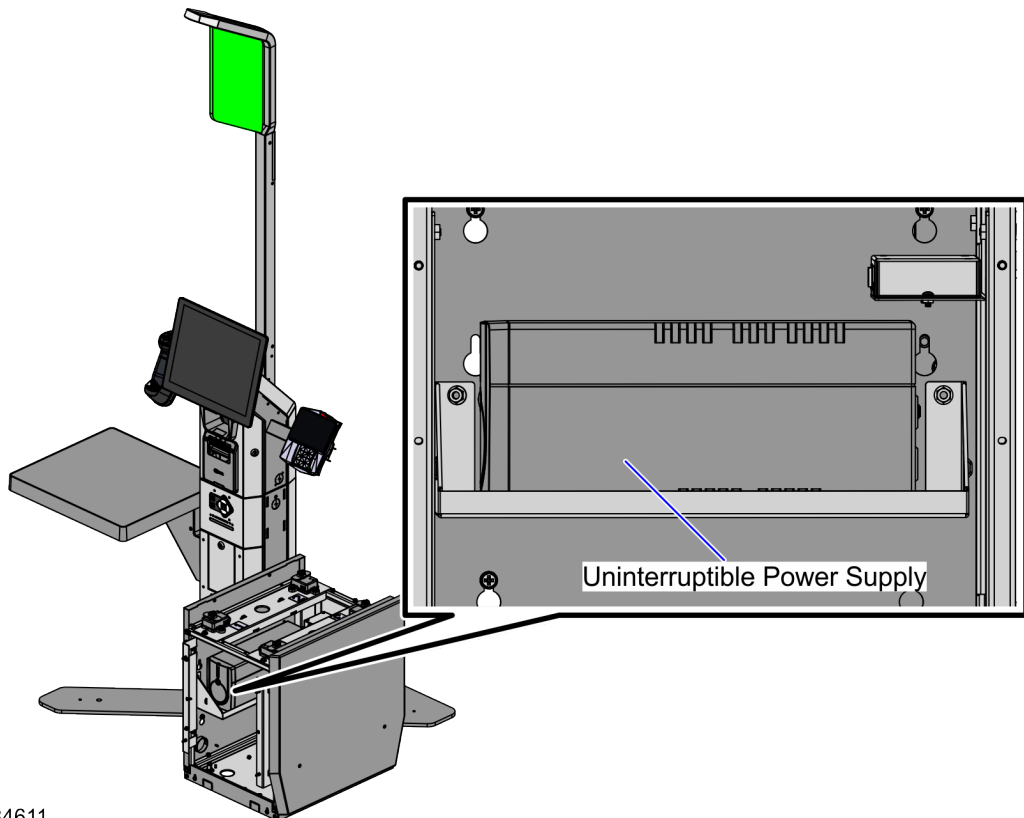
Confidential and proprietary information of NCR Voyix.
Use and disclose solely pursuant to company instructions.

3. Attach the UPS Bagwell Shelf to the Bagwell using two (2) nuts.



CCP-84608

4. Place the UPS on the UPS Bagwell Shelf.



CCP-84611

5. Connect the cables to the UPS. For more information, refer to ["Routing the cables: 7372 NCR Voyix SCO Kiosk"](#) on page 26.

Confidential and proprietary information of NCR Voyix.
Use and disclose solely pursuant to company instructions.

6. If immediate or abnormal shutdowns were experienced in the field prior to the UPS battery failure, perform the following steps before replacing the UPS:
 - a. Verify the input voltage status of the UPS.
 - b. Verify that the UPS conversion utility and firmware files are installed on the terminal.
 - c. Convert the UPS voltage to support running environment voltage, if necessary.
7. Plug the External AC Cable to the AC wall outlet and turn on the UPS.
8. Turn on the POS and then run the ADD utility to ensure the device is updated with the latest firmware.

Routing the Cables

To route the Power Cable and USB Cable, refer to any of the following procedures depending on the type of unit:

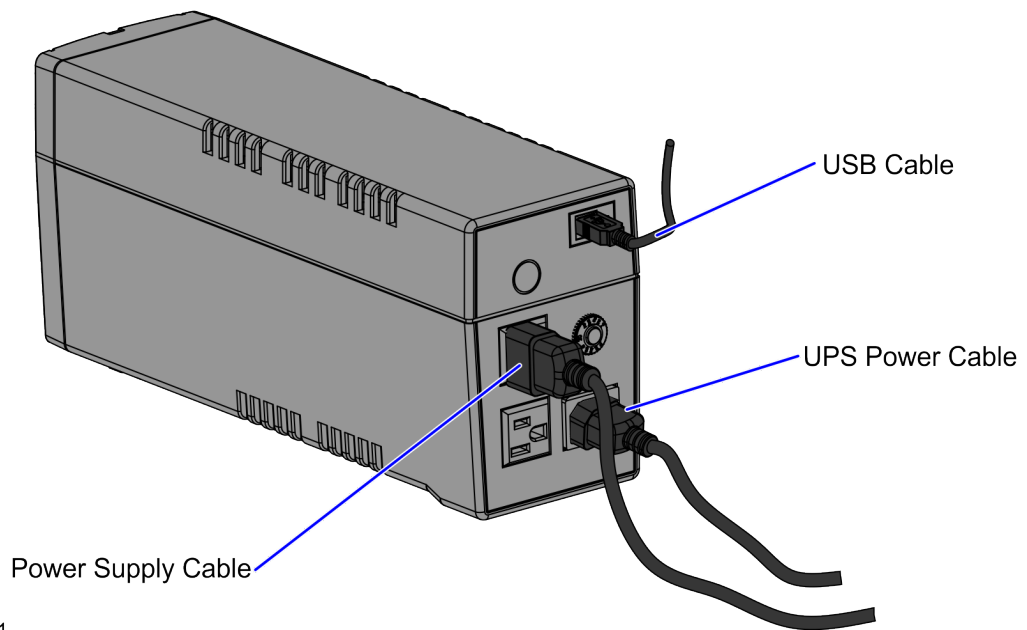
- ["Routing the cables: 7371 NCR Voyix SCO Hardware"](#) on the next page
- ["Routing the cables: 7372 NCR Voyix SCO Card Only"](#) on page 20
- ["Routing the cables: 7372 NCR Voyix SCO Kiosk"](#) on page 26

Routing the cables: 7371 NCR Voyix SCO Hardware

To route the cables, follow these steps:

1. Connect the following cables to the UPS before installing it to the unit:

- UPS Power Cable (497-0441791)
- System Power Supply Cable (497-0420134)
- USB Type B end of the USB Cable (006-8628697)

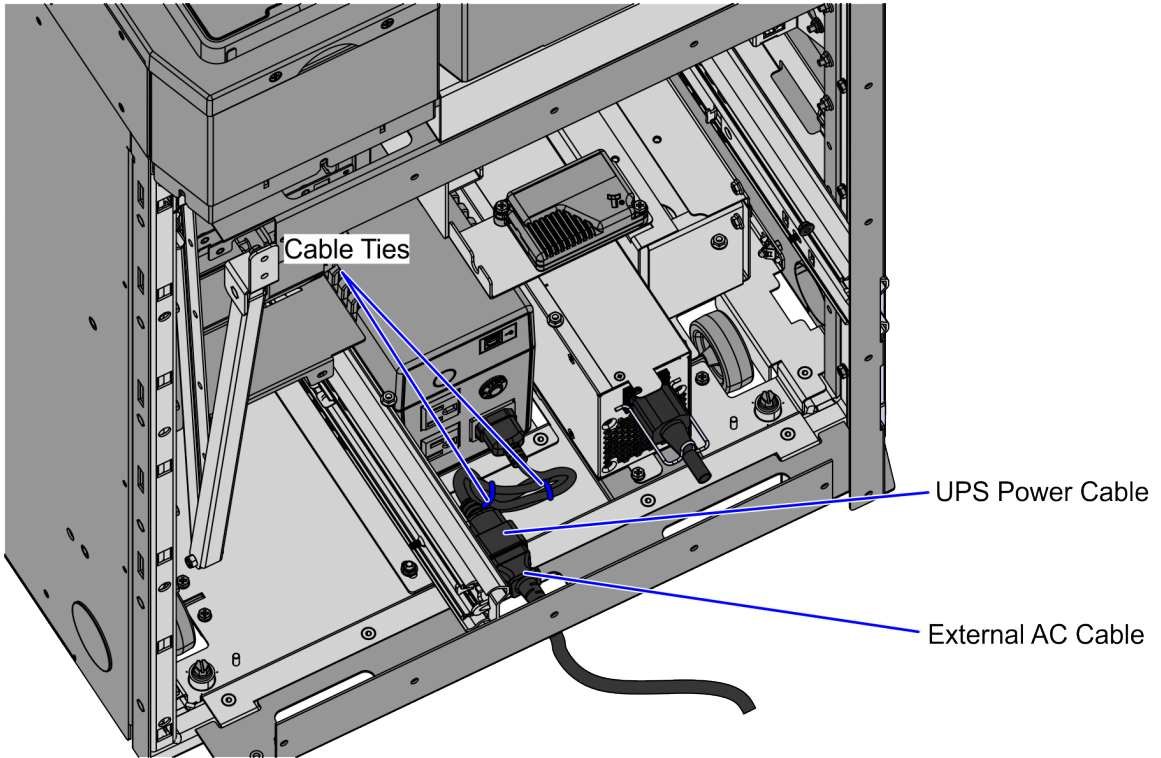


CCP-84661

2. Connect the UPS Power cable to the external AC Power Cable

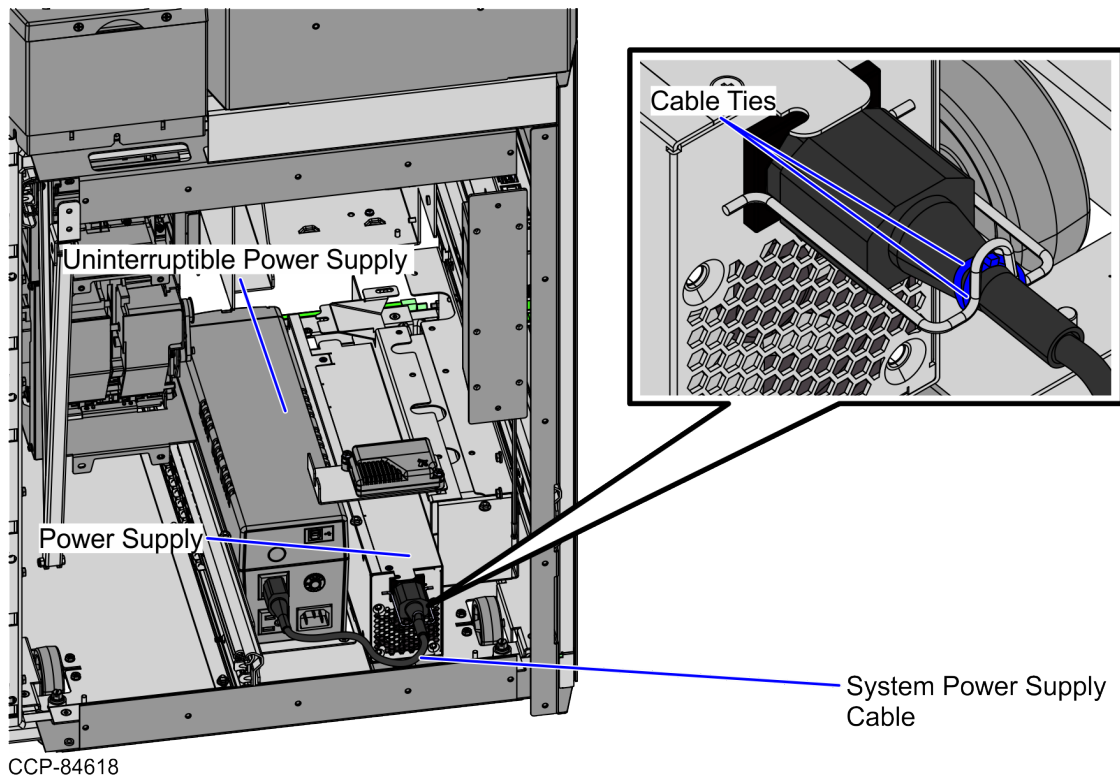
 **Note**

Bundle the excess cable using two (2) cable ties.



CCP-84662

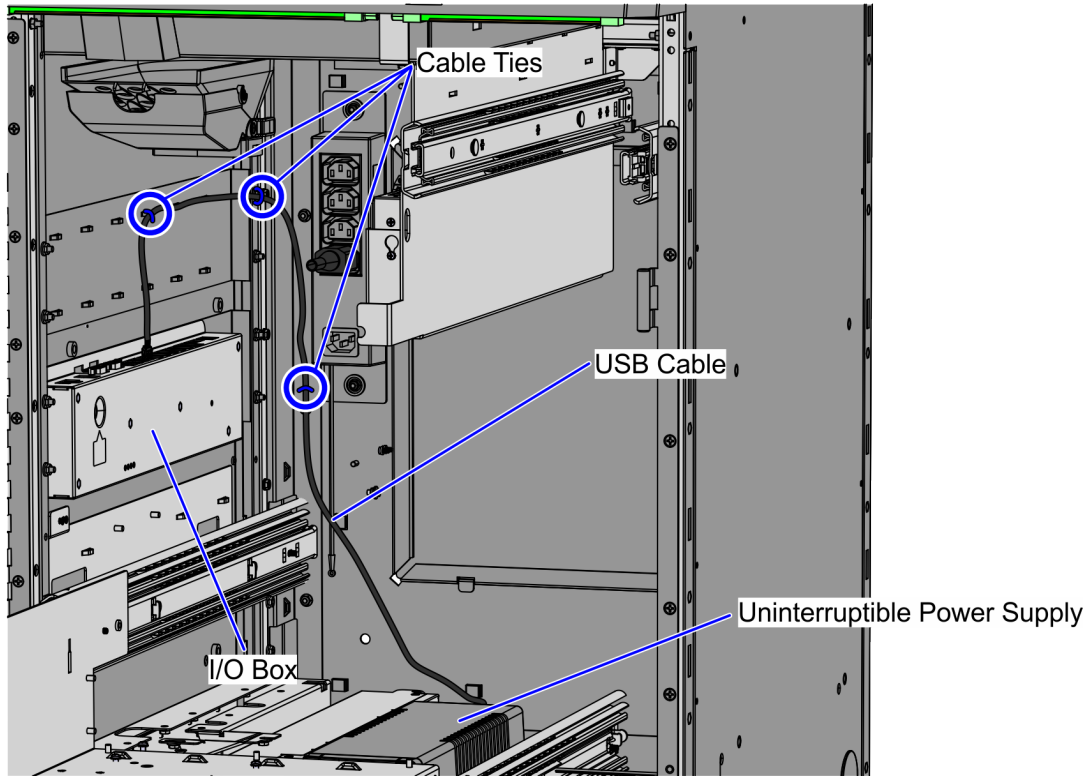
3. Connect the System Power Supply Cable to the Power Supply and secure it to the metal retention clamp using two (2) cable ties .



4. USB Type A end of the USB Cable to Port L of the and secure it with three (3) cable ties.

Note

Do not bundle the USB Cable with the AC cables.

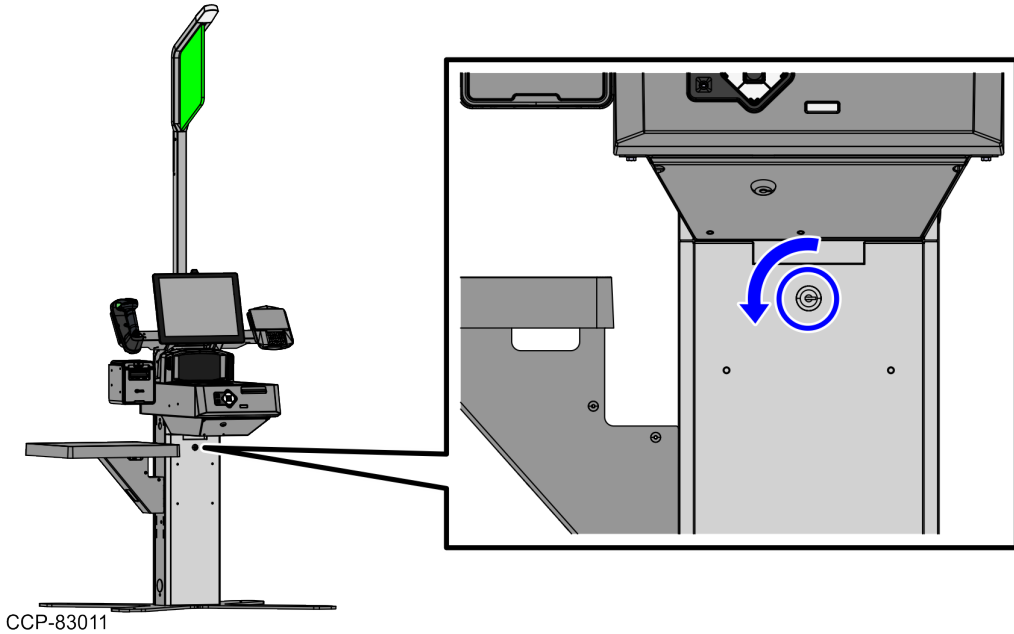


CCP-84609

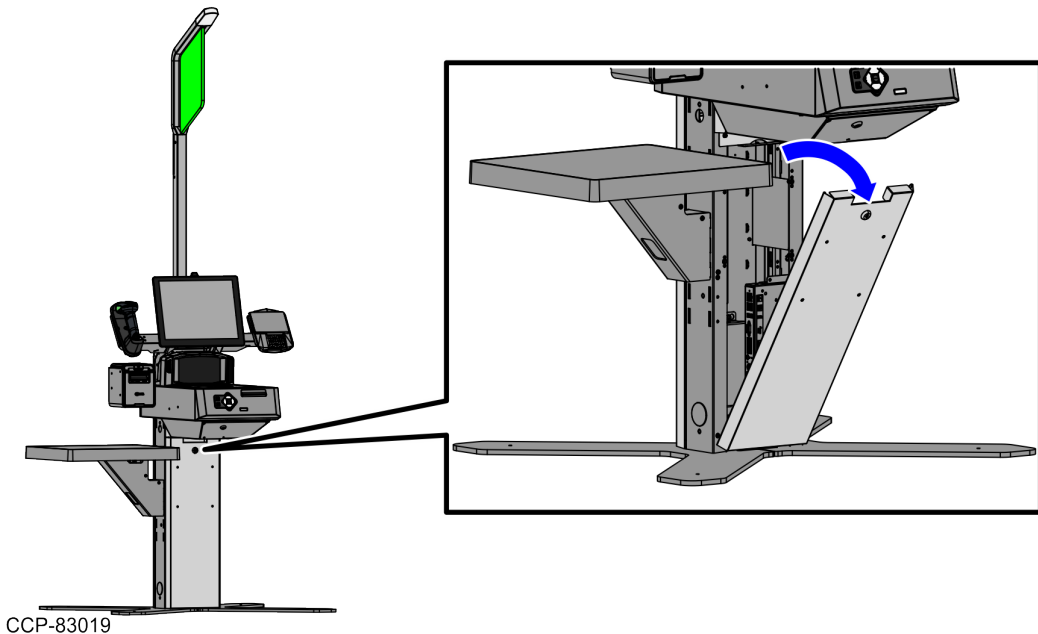
Routing the cables: 7372 NCR Voyix SCO Card Only

To route the cables, follow these steps:

1. Open the Pedestal Cabinet by doing the following:
 - a. Unlock the Pedestal Door, as shown in the image below.



- b. Hold the finger access hole at the top of the Pedestal Door and then slowly pull the door to disengage from the Pedestal Cabinet.



Confidential and proprietary information of NCR Voyix.
Use and disclose solely pursuant to company instructions.

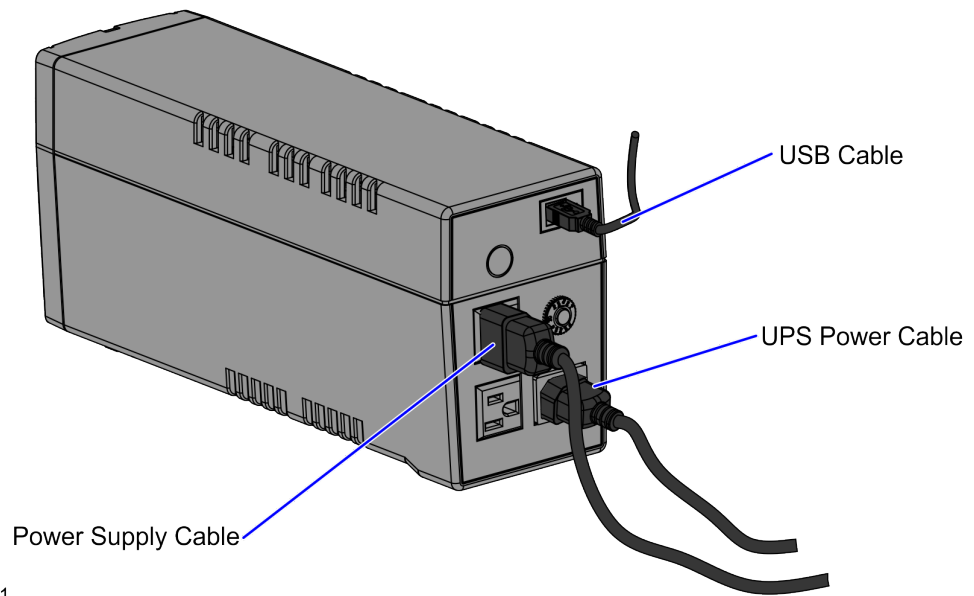
2. Connect the following cables to the UPS before installing it to the unit:

- UPS Power Cable (497-0441791)
- System Power Supply Cable (497-0420134)
- USB Type B end of the USB Cable (006-8628697)



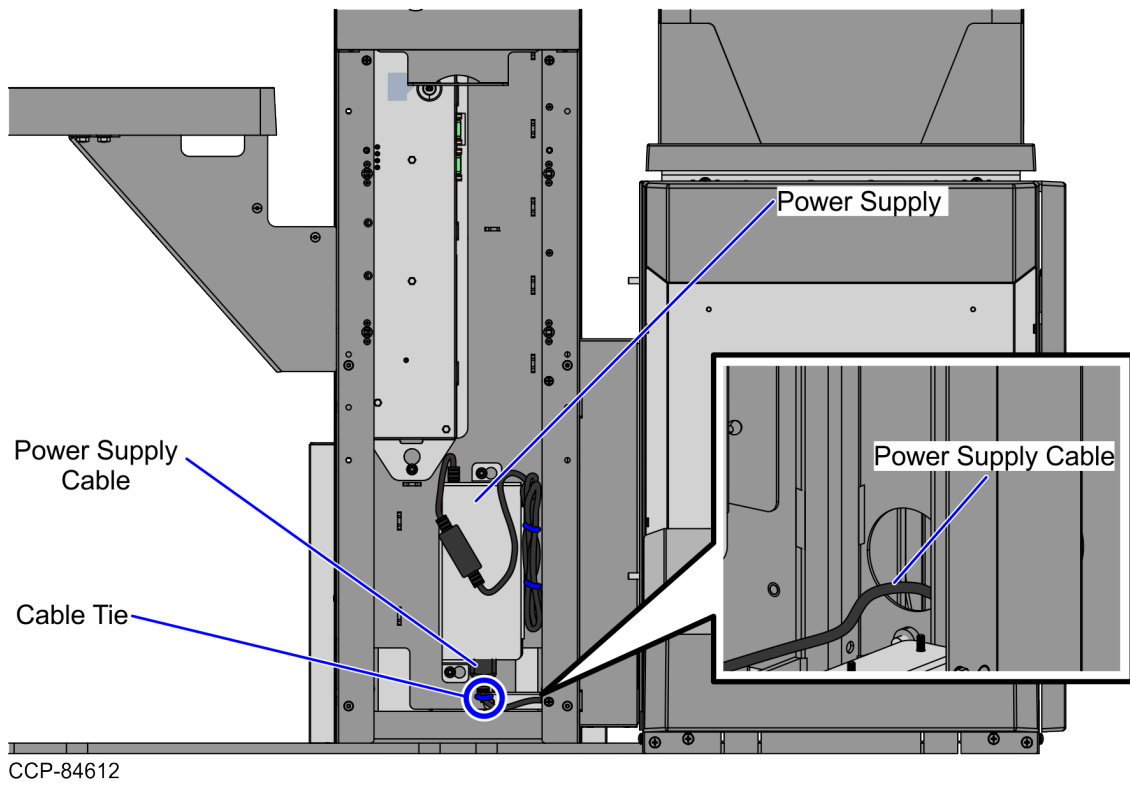
Note

Tie the excess USB Cable inside the Bagwell using cable ties.

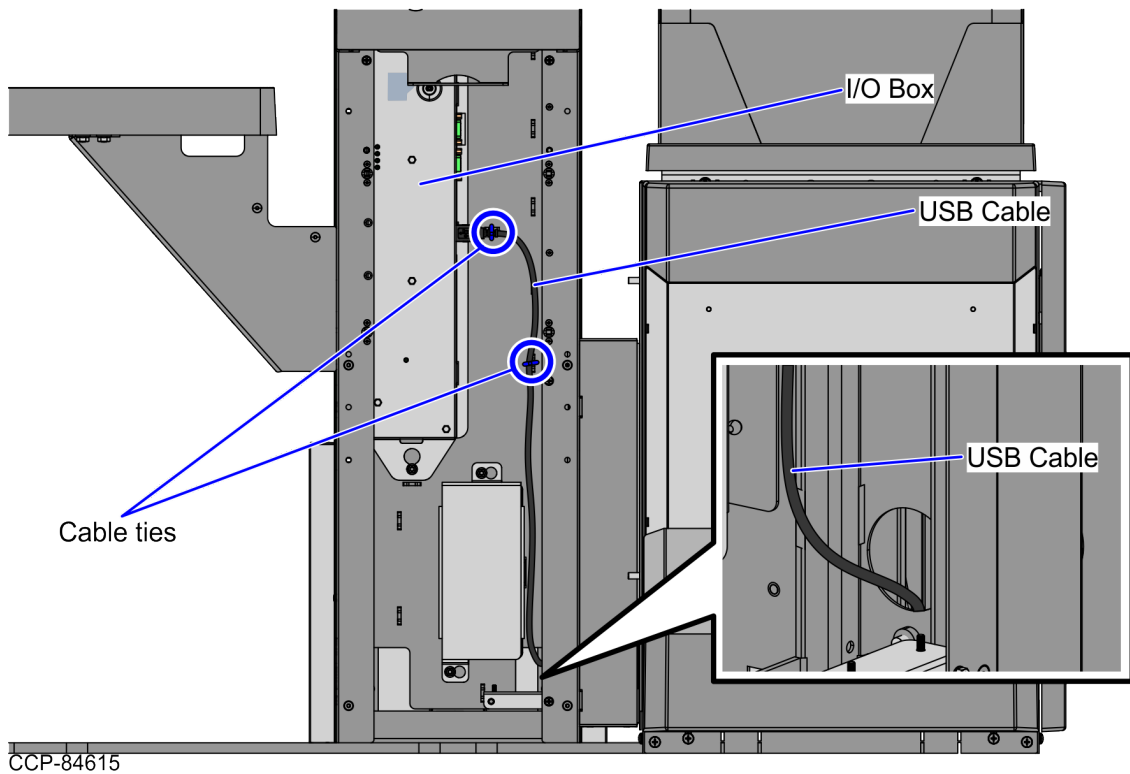


CCP-84661

3. From the UPS, route the Power Supply Cable through the cable access hole and connect it to the Power Supply. Secure it using a cable tie.



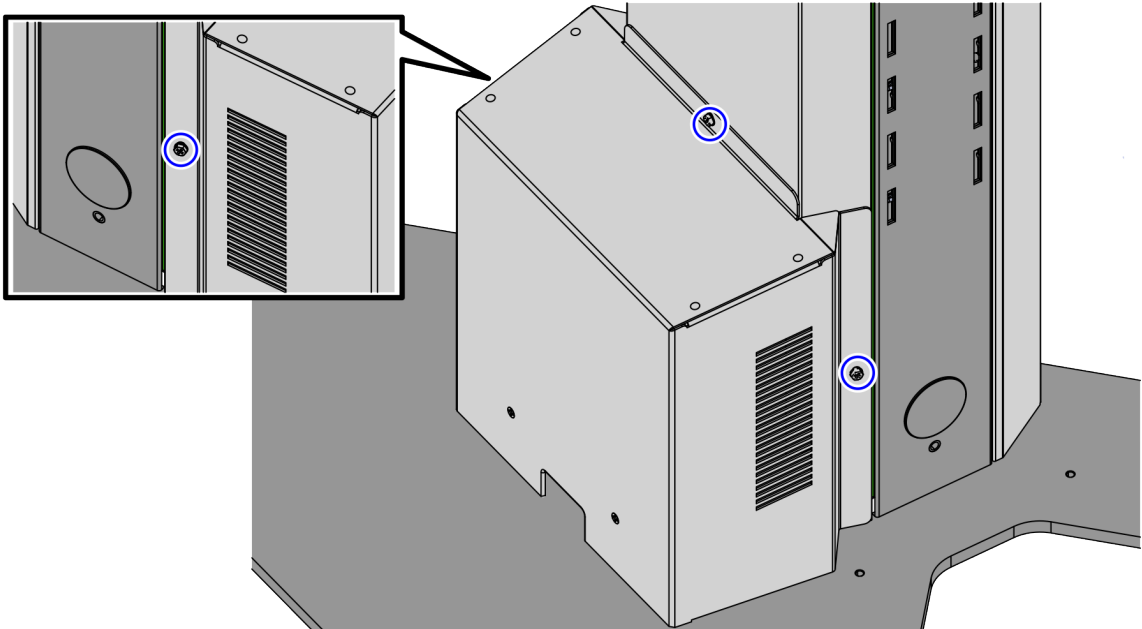
4. From the UPS, route the USB Cable through the cable access hole and connect USB Type A end to the R6 I/O Box. Secure it with two (2) cable ties.



5. Detach the Sensormatic® Enclosure by removing three (3) screws, as shown in the image below.

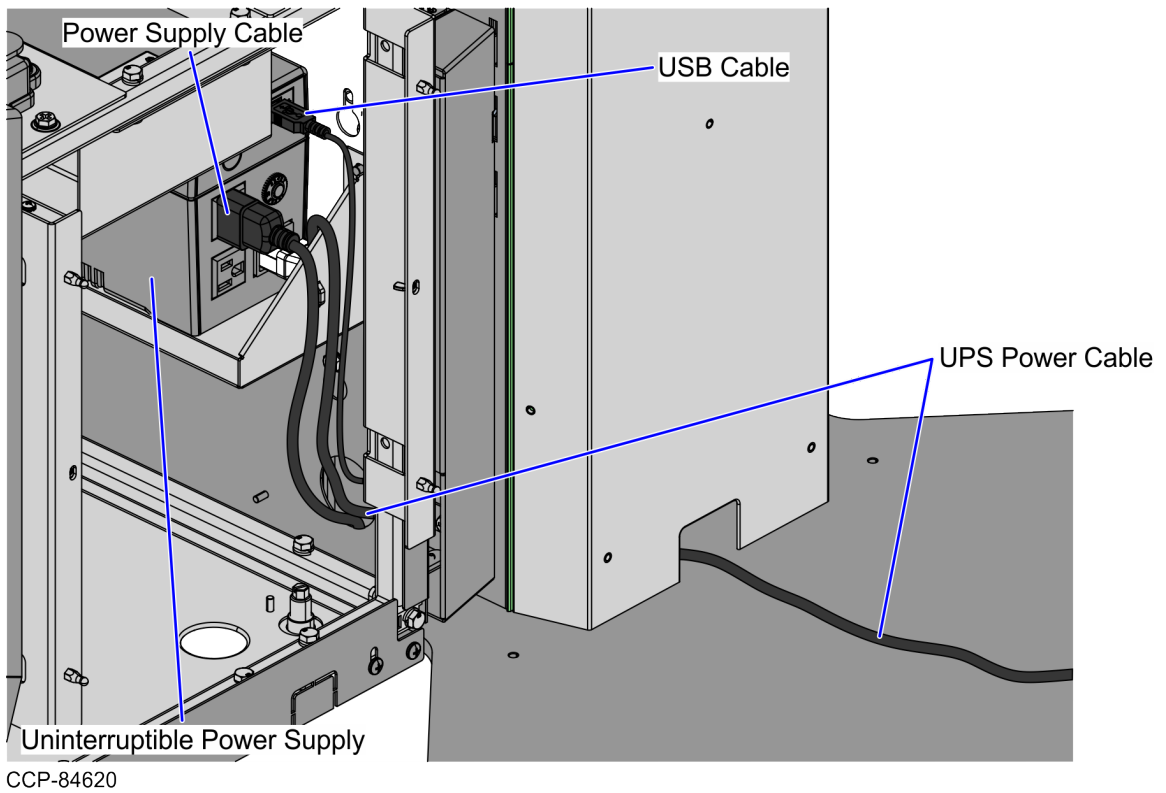
Note

Ensure that the Sensormatic® Controller is unplugged from the AC outlet.



CCP-84273

6. Route the UPS Power Cable to the Cabinet and out through the rear exit hole.

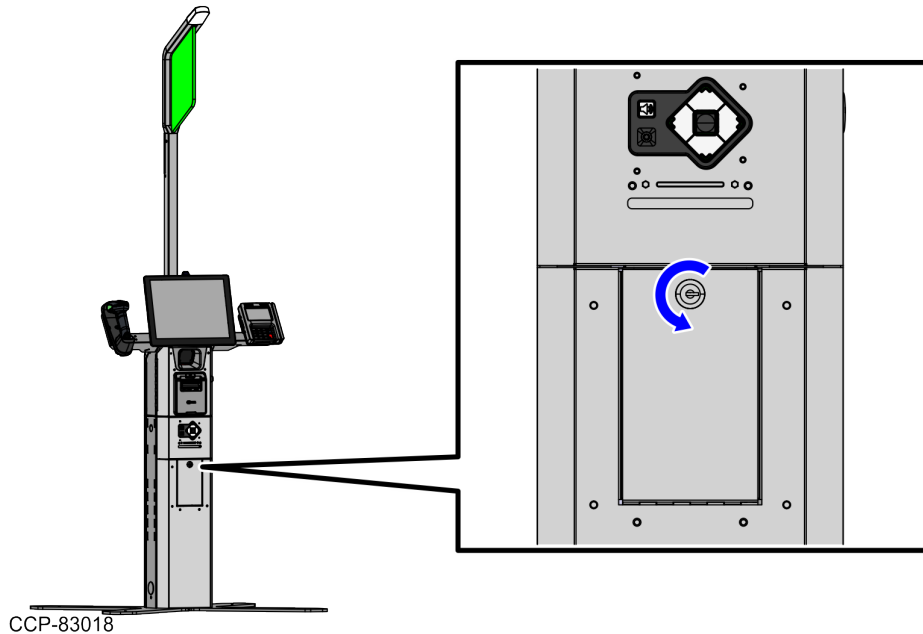


7. Attach the Sensormatic® Controller Enclosure on the pedestal using three (3) screws.

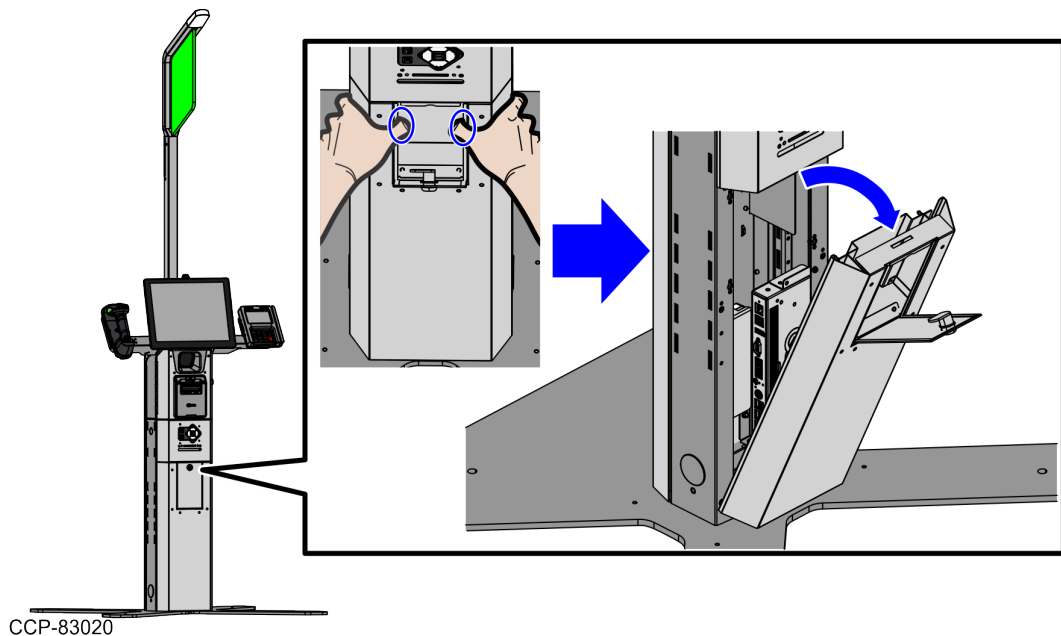
Routing the cables: 7372 NCR Voyix SCO Kiosk

To route the cables, follow these steps:

1. Open the Pedestal Cabinet by doing the following:
 - a. Unlock the Pedestal Door, as shown in the image below.



- b. Hold the finger access hole at the top of the Pedestal Door and then slowly pull the door to disengage from the Pedestal Cabinet.



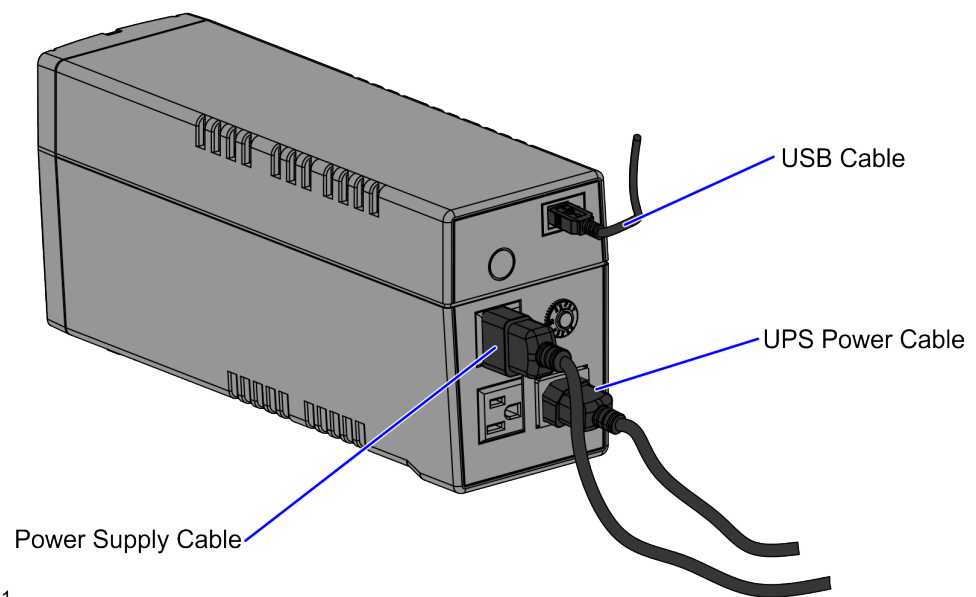
Confidential and proprietary information of NCR Voyix.
Use and disclose solely pursuant to company instructions.

2. Connect the following cables to the UPS

- UPS Power Cable (497-0441791)
- System Power Supply Cable (497-0420134)
- USB Type B end of the USB Cable (006-8628697)

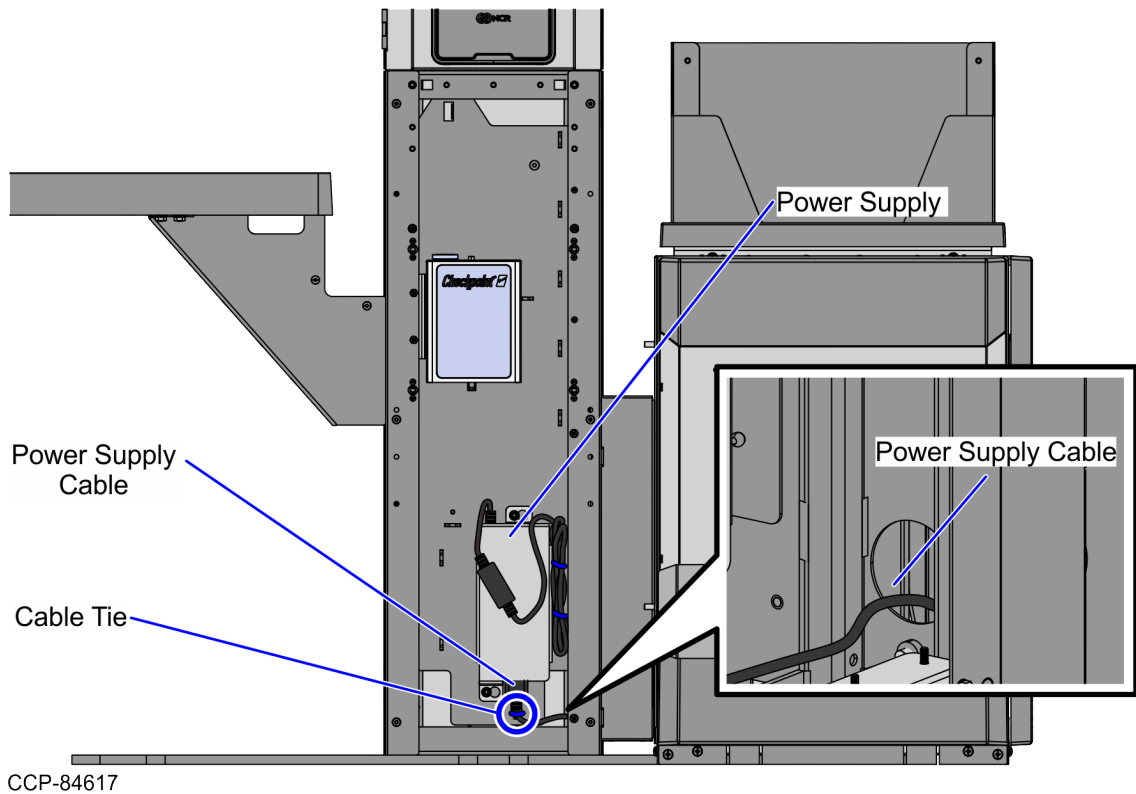
•  **Note**

Tie the excess USB Cable inside the Bagwell using cable ties.

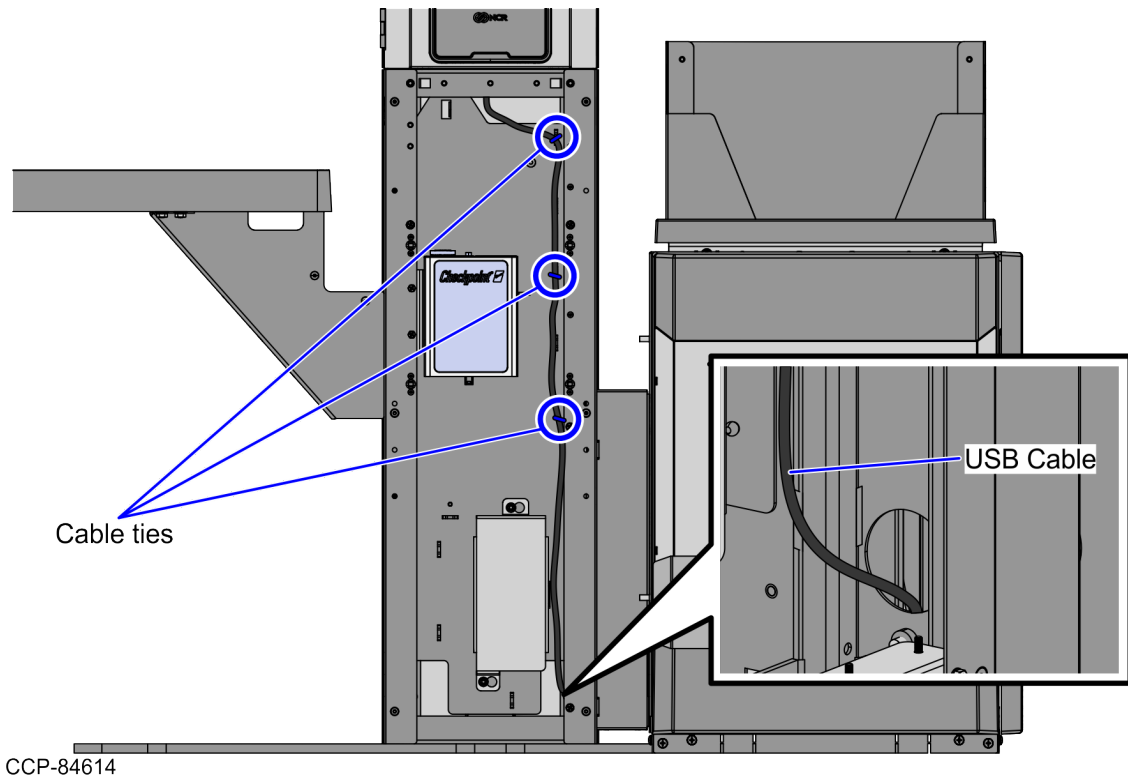


CCP-84661

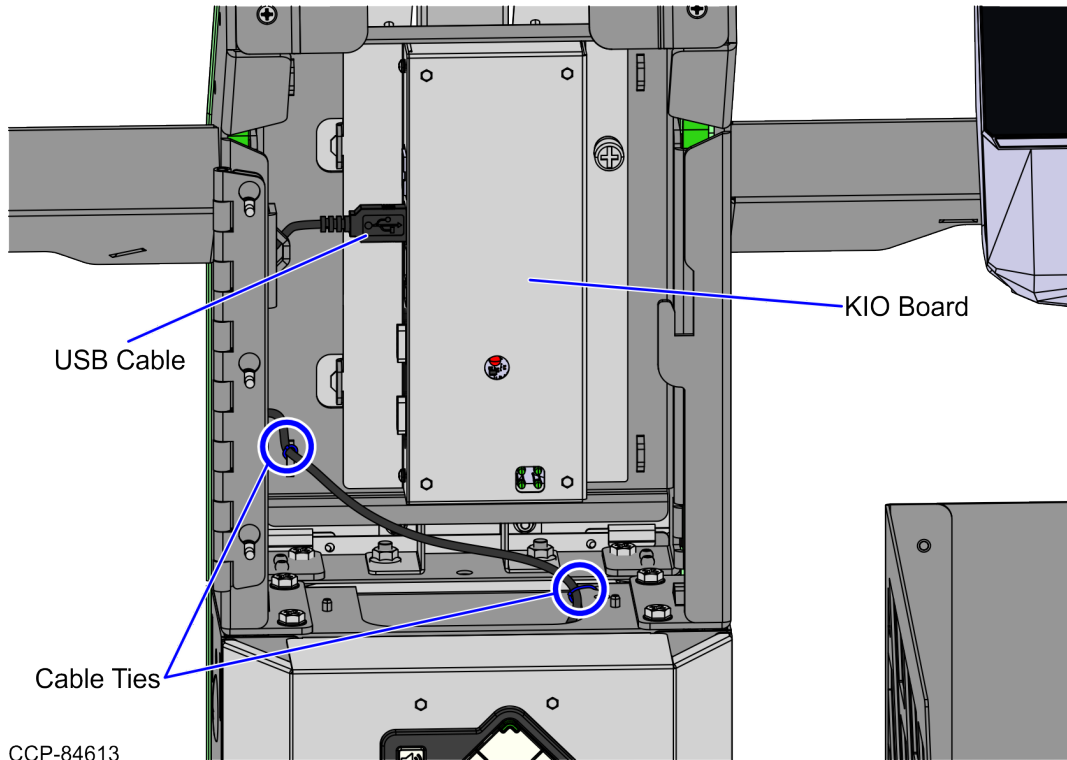
3. From the UPS, route the Power Supply Cable through the cable access hole and connect it to the Power Supply. Secure it using a cable tie.



4. From the UPS, route the USB Cable through the cable access hole and up the Cabinet. Secure it with three (3) cable ties.



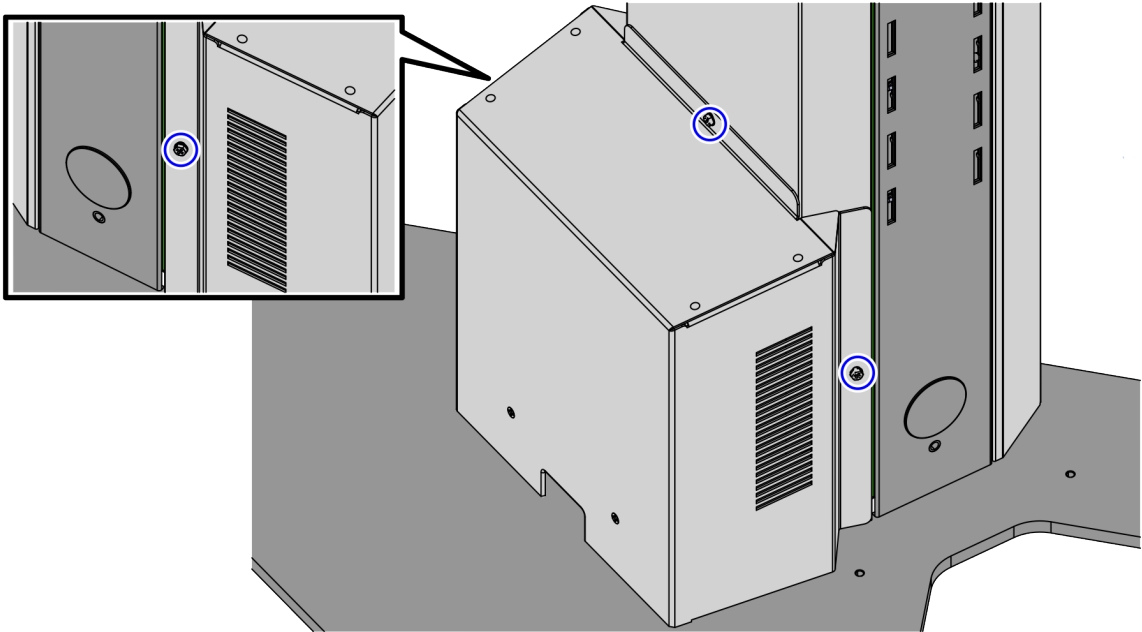
5. Connect the USB Type A end of the USB Cable to Port B of the KIO Board and secure it with three (2) cable ties.



6. Detach the Sensormatic® Controller Enclosure by removing three (3) screws, as shown in the image below.

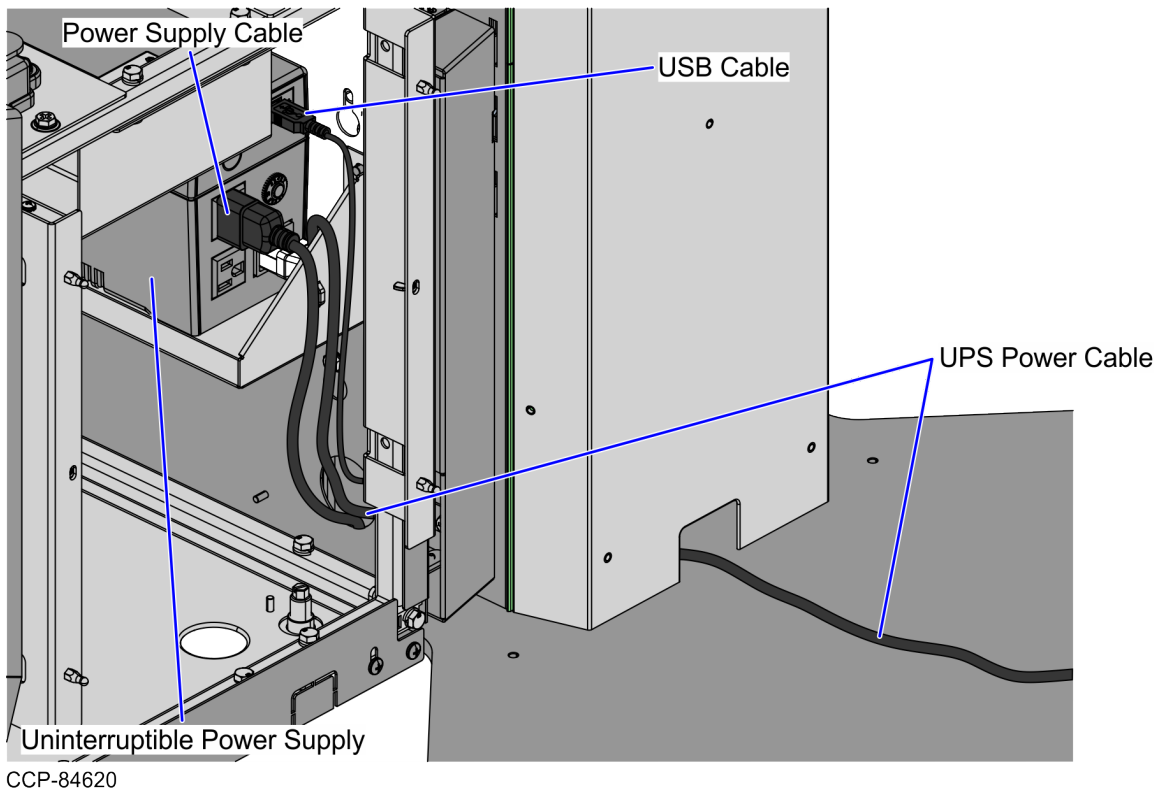
Note

Ensure that the Sensormatic® Controller is unplugged from the AC outlet.



CCP-84273

7. Route the UPS Power Cable to the Cabinet and out through the rear exit hole.



8. Attach the Sensormatic® Controller Enclosure on the pedestal using three (3) screws.