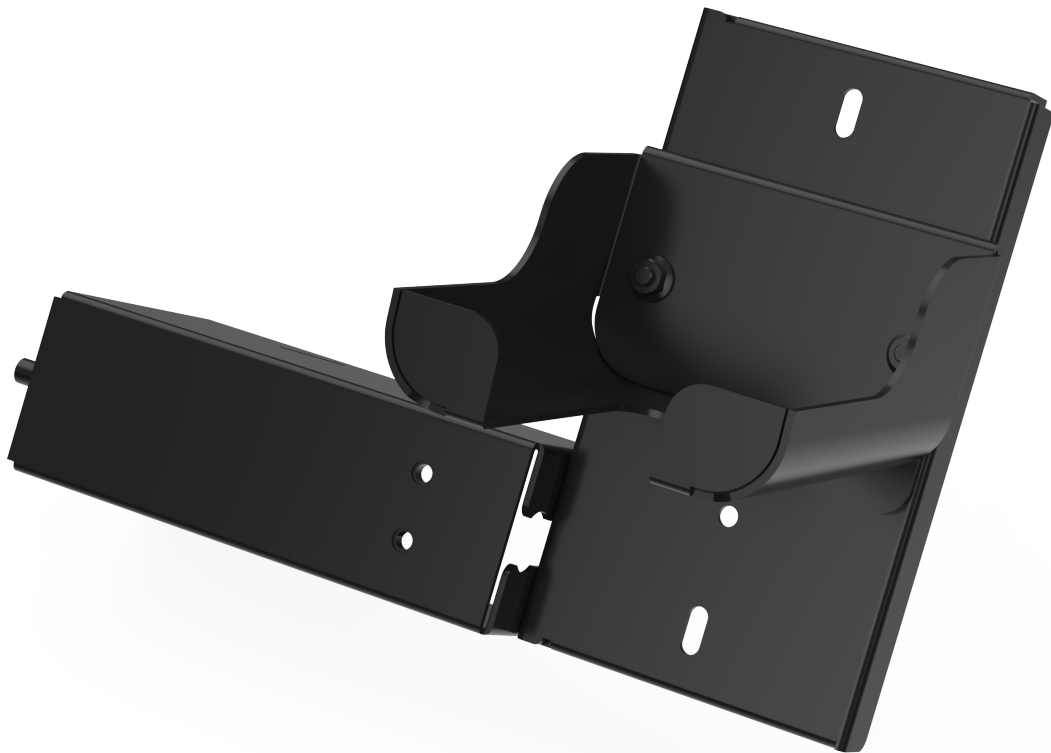




# Kit Instructions

## Handheld Scanner Mount



7371-K802

Issue A

The product described in this document is a licensed product of NCR Corporation.

NCR is a registered trademark of NCR Corporation. NCR Self-Checkout Hardware is a trademark of NCR Corporation in the United States and/or other countries. Other product names mentioned in this publication may be trademarks or registered trademarks of their respective companies and are hereby acknowledged.

The terms HDMI and HDMI High-Definition Multimedia Interface, and the HDMI Logo are trademarks or registered trademarks of HDMI Licensing LLC in the United States and other countries.

Where creation of derivative works, modifications or copies of this NCR copyrighted documentation is permitted under the terms and conditions of an agreement you have with NCR, NCR's copyright notice must be included.

It is the policy of NCR Corporation (NCR) to improve products as new technology, components, software, and firmware become available. NCR, therefore, reserves the right to change specifications without prior notice.

All features, functions, and operations described herein may not be marketed by NCR in all parts of the world. In some instances, photographs are of equipment prototypes. Therefore, before using this document, consult with your NCR representative or NCR office for information that is applicable and current.

Copyright © 2023

By NCR Voyix Corporation

Global Headquarters

864 Spring St. NW

Atlanta, GA 30308

United States

All Rights Reserved

Confidential and proprietary information of NCR Voyix Corporation.

Unauthorized use, reproduction and/or distribution is strictly prohibited.

# Revision Record

---

Issue	Date	Remarks
A	Oct 2023	First issue.

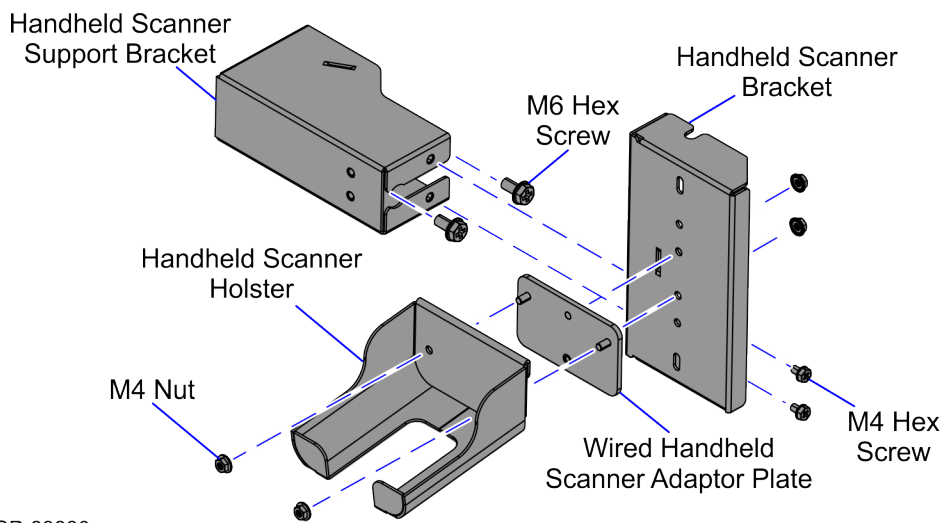
Confidential and proprietary information of NCR Voyix Corporation.  
Unauthorized use, reproduction and/or distribution is strictly prohibited.

# 7371-K802 Handheld Scanner Mount

This publication provides procedures for installing a Handheld Scanner Mount on either of the following 7371 Full Function Self-Checkout (Fixed) units:

- NCR Self-Checkout Hardware (7371)
- NCR Self-Checkout Hardware - Card Only Self-Checkout (7372)

## Kit Contents



CCP-83830

Part Number	Description
497-0535014	7371-K802 Kit - Wired Handheld Scanner Mount
497-0532521	Bracket, Scanner, Handheld
497-0534330	Wired Handheld Scanner Adaptor Plate
497-0519026	Holster, Scanner, Handheld
006-8628648	Nut - M4 x 0.7mm Serrated Flange Locknut, Zinc-Plated Steel (4 pcs)
497-0533821	Support Bracket, Scanner, Handheld

Confidential and proprietary information of NCR Voyix Corporation.  
 Unauthorized use, reproduction and/or distribution is strictly prohibited.

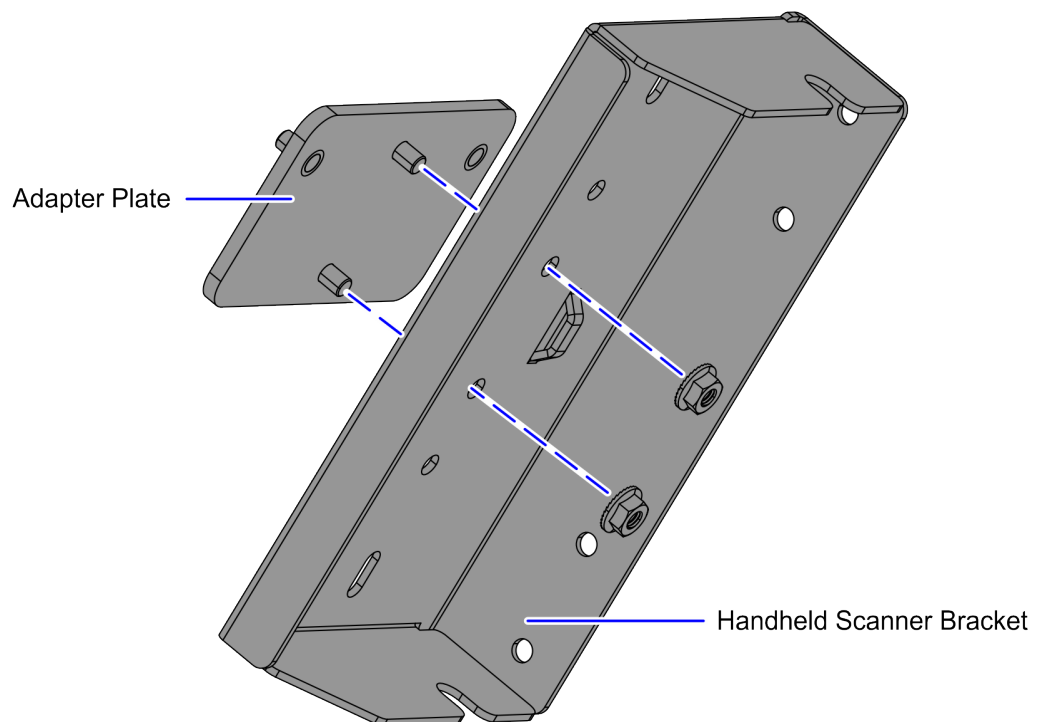
Part Number	Description
006-8628731	Screw - Hex, POZDRIV, M4, 6.0 (2 pcs)
006-8628739	Screw - Hex, M6 x 12 MC Comb (2 pcs)
* 497-0423108	Instructions Kit (Reference Sheet)

\* Items marked with an asterisk are not called out on the image.

# Installation Procedures

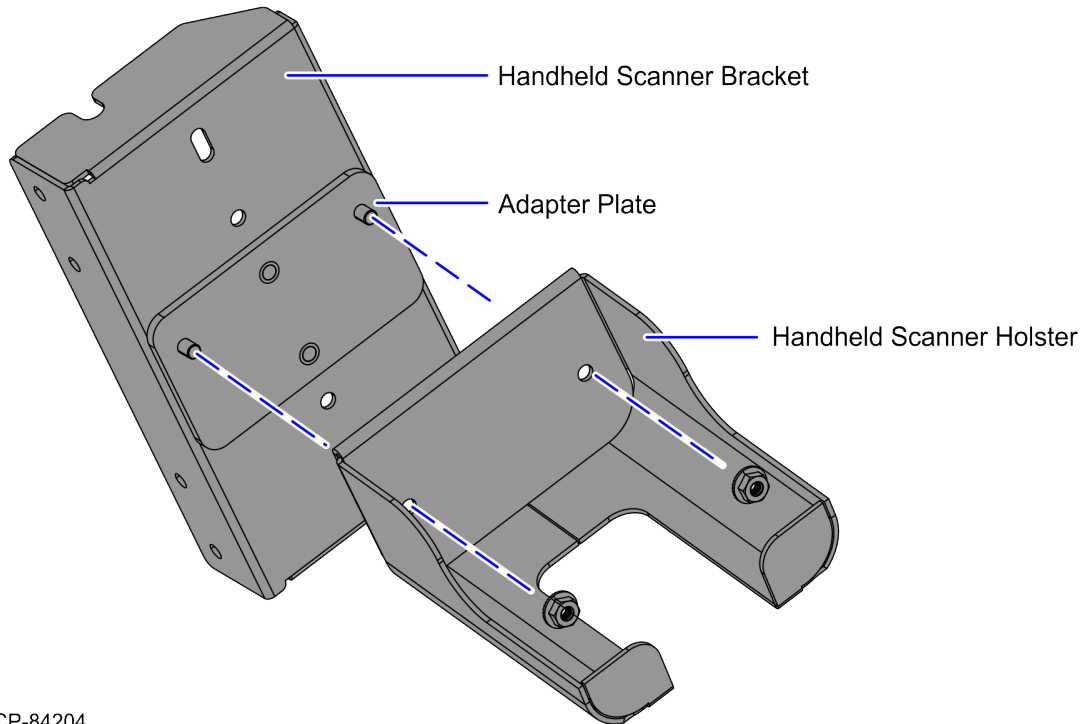
To install the Handheld Scanner Mount, follow these steps:

1. Remove the following, if necessary:
  - a. Remove the existing Handheld Scanner Mount. For more information, refer to [Removing the Handheld Scanner Mount](#).
  - b. Remove the existing Handheld Scanner Arm. For more information, refer to [Removing the Handheld Scanner Arm](#).
2. Insert the two (2) studs of the Adapter Plate into the slots of the Handheld Scanner Bracket and then secure using two (2) nuts, as shown in the image below.

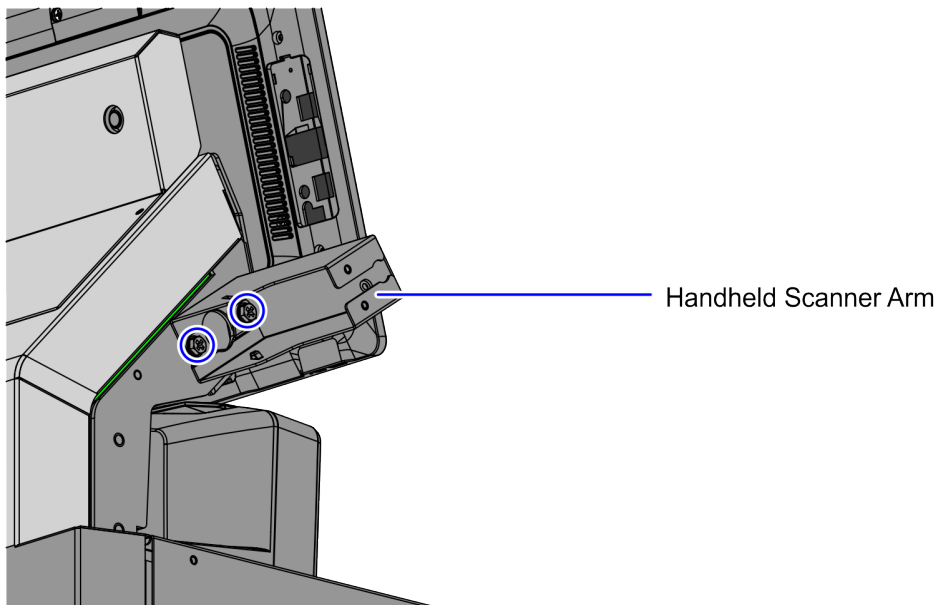


CCP-84200

3. Mount the Handheld Scanner Holster on the two (2) studs of the Adapter Plate and then secure using two (2) nuts, as shown in the image below.

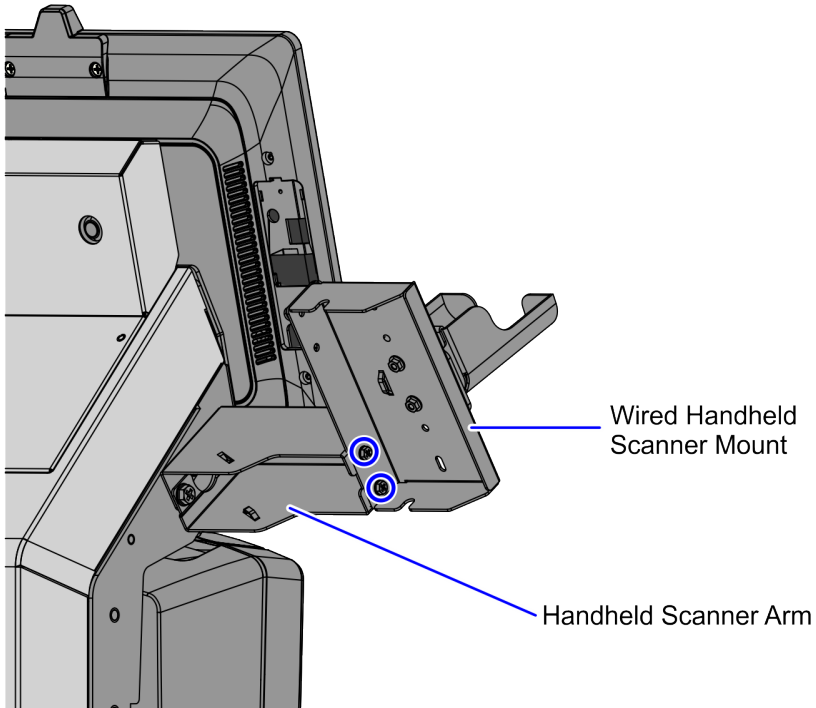


4. Attach the Handheld Scanner Arm to the Tower using two (2) screws, as shown in the image below.



Confidential and proprietary information of NCR Voyix Corporation.  
Unauthorized use, reproduction and/or distribution is strictly prohibited.

5. Attach the Handheld Scanner Mount assembly to the Handheld Scanner Arm using two (2) screws, as shown in the image below.

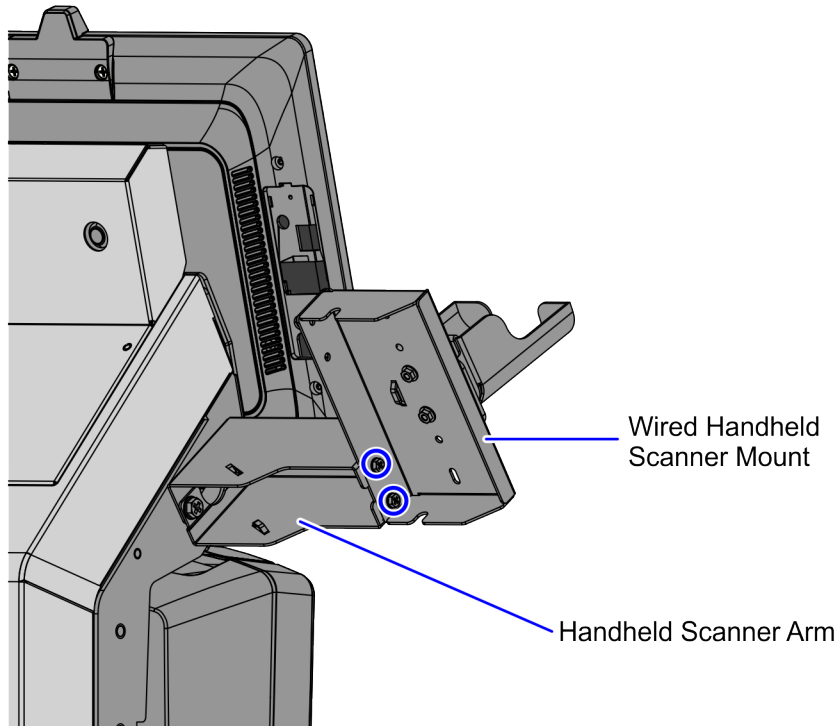


CCP-84205



## Removing the Handheld Scanner Mount

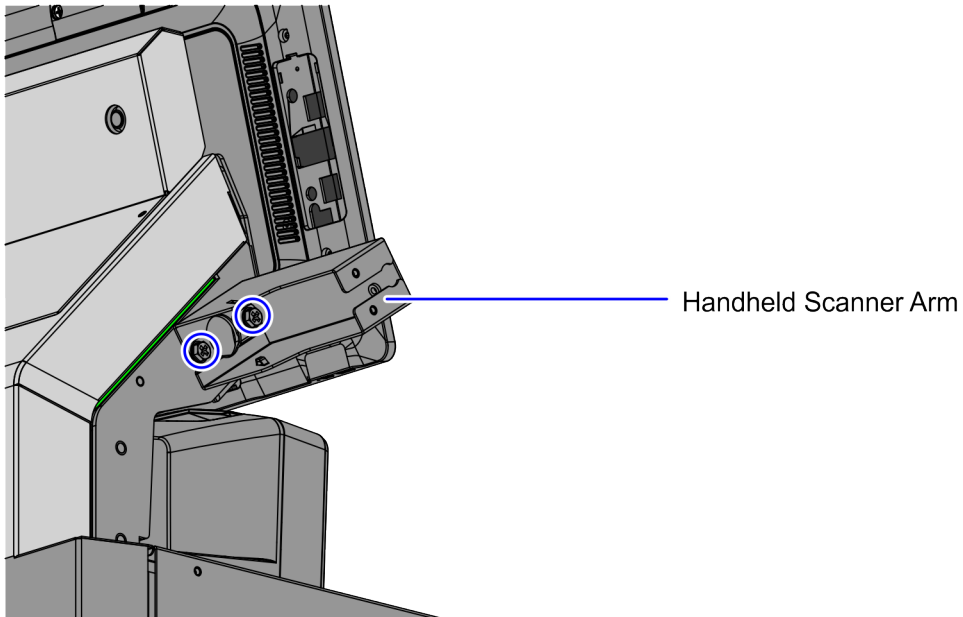
Loosen two (2) screws to detach the Wired Handheld Scanner Mount from the Handheld Scanner Arm, as shown in the image below.



CCP-84205

## Removing the Handheld Scanner Arm

Loosen two (2) screws to detach the Handheld Scanner Arm from the Tower, as shown in the image below.



CCP-84276