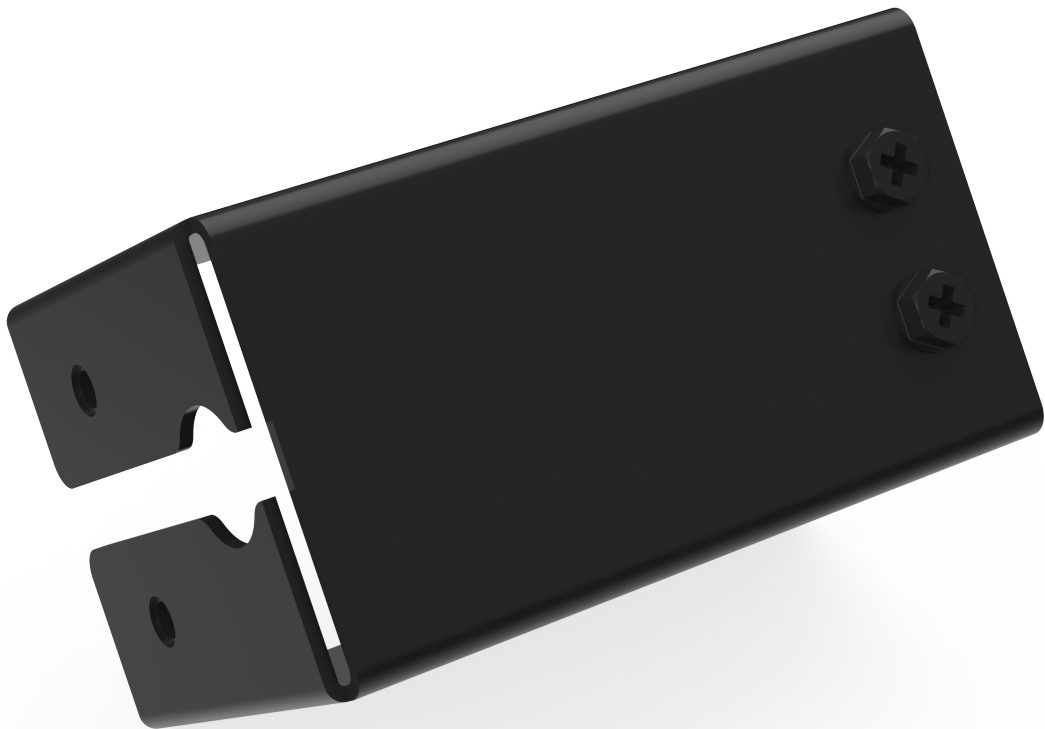




Kit Instructions

Handheld Scanner Extender (22 inches)



7371-K801

Issue A

The product described in this document is a licensed product of NCR Corporation.

NCR is a registered trademark of NCR Corporation. NCR Self-Checkout Hardware is a trademark of NCR Corporation in the United States and/or other countries. Other product names mentioned in this publication may be trademarks or registered trademarks of their respective companies and are hereby acknowledged.

The terms HDMI and HDMI High-Definition Multimedia Interface, and the HDMI Logo are trademarks or registered trademarks of HDMI Licensing LLC in the United States and other countries.

Where creation of derivative works, modifications or copies of this NCR copyrighted documentation is permitted under the terms and conditions of an agreement you have with NCR, NCR's copyright notice must be included.

It is the policy of NCR Corporation (NCR) to improve products as new technology, components, software, and firmware become available. NCR, therefore, reserves the right to change specifications without prior notice.

All features, functions, and operations described herein may not be marketed by NCR in all parts of the world. In some instances, photographs are of equipment prototypes. Therefore, before using this document, consult with your NCR representative or NCR office for information that is applicable and current.

Copyright © 2023

By NCR Voyix Corporation

Global Headquarters

864 Spring St. NW

Atlanta, GA 30308

United States

All Rights Reserved

Confidential and proprietary information of NCR Voyix Corporation.

Unauthorized use, reproduction and/or distribution is strictly prohibited.

Revision Record

Issue	Date	Remarks
A	Oct 2023	First issue.

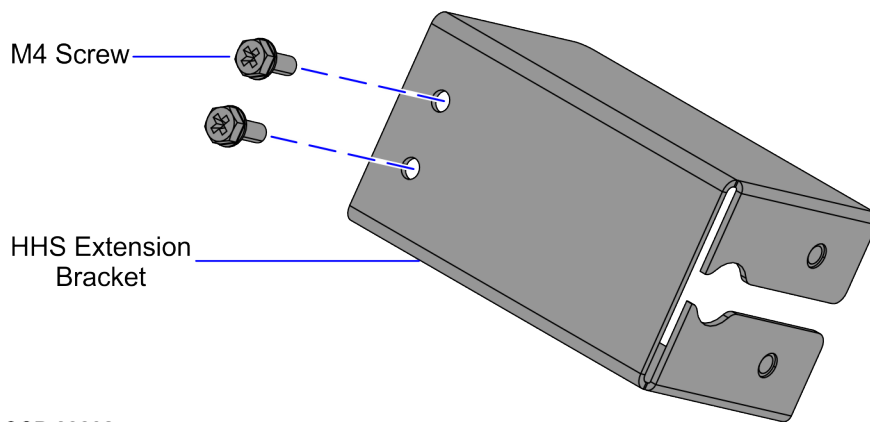
Confidential and proprietary information of NCR Voyix Corporation.
Unauthorized use, reproduction and/or distribution is strictly prohibited.

7371-K801 Handheld Scanner Extender (22 inches)

This publication provides procedures for installing a 22-inch Handheld Scanner Extender on either of the following 7371 Full Function Self-Checkout (Fixed) units:

- NCR Self-Checkout Hardware (7371)
- NCR Self-Checkout Hardware - Card Only Self-Checkout (7372)

Kit Contents



CCP-83832

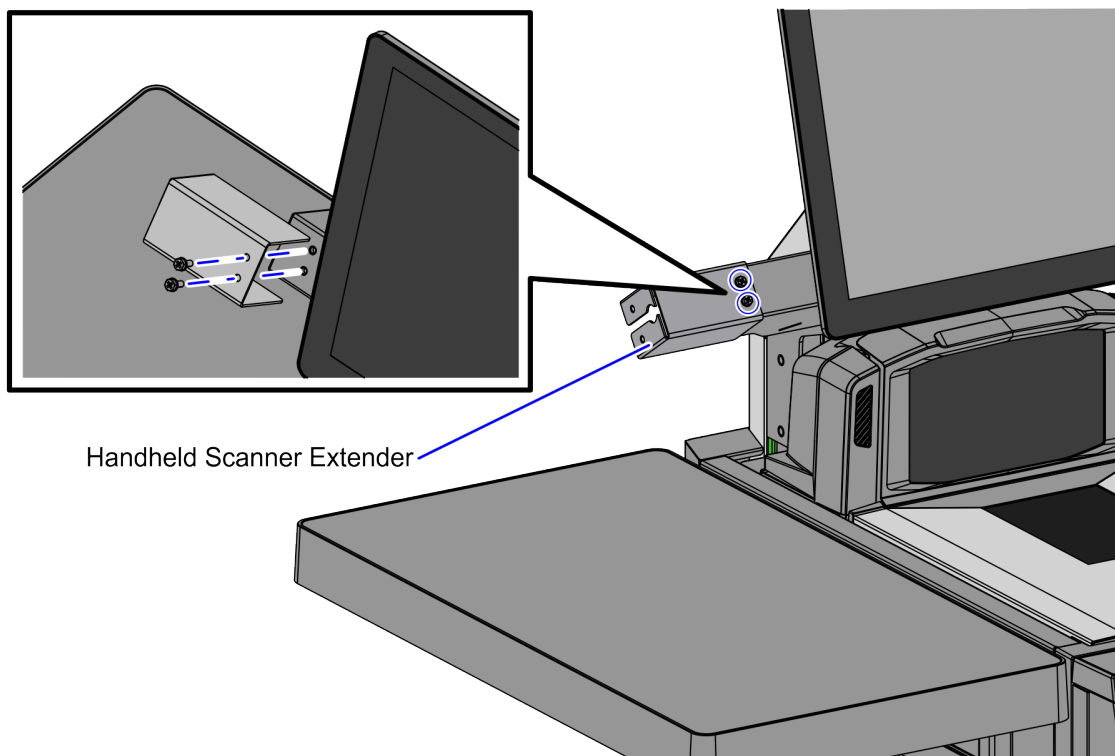
Part Number	Description
497-0533884	7371-K801 Handheld Scanner Extender (22 inches)
497-0533822	HHS Extension Bracket
009-0006593	Screws M4 X 10 (2 pcs)
* 497-0423108	Instructions Kit (Reference Sheet)

* Items marked with an asterisk are not called out on the image.

Installation Procedures

To install the Handheld Scanner Extender, follow these steps:

1. Do the following, if necessary:
 - a. Remove the Handheld Scanner base dock. For more information, refer to [Removing the Handheld Scanner base dock](#).
 - b. Remove the Handheld Scanner Bracket. For more information, refer to [Removing the Handheld Scanner bracket](#).
2. Mount the Handheld Scanner Extender onto the Handheld Scanner Arm and secure using two (2) screws, as shown in the image below.



CCP-83898

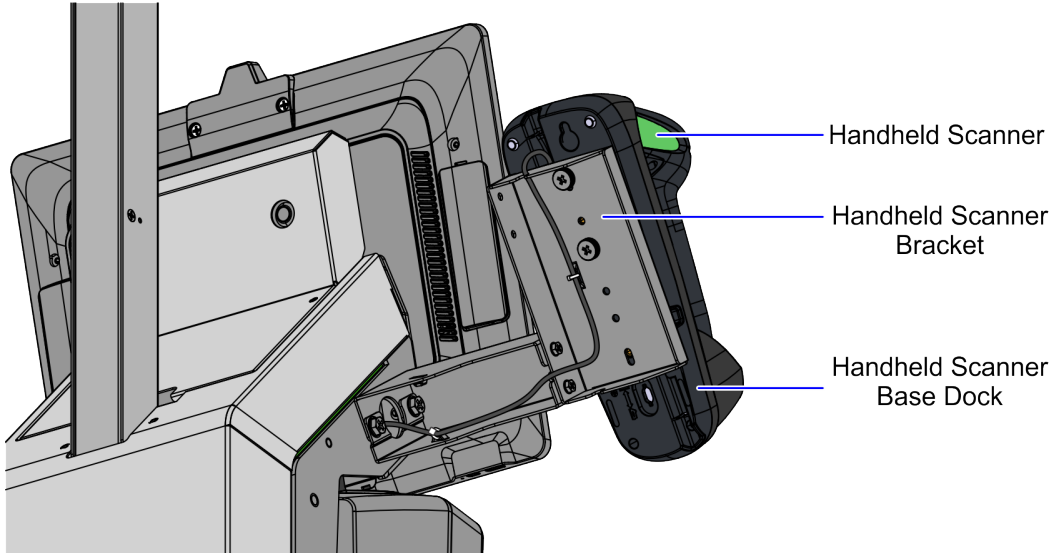
3. Do the following:
 - a. Install the Handheld Scanner Bracket. For more information, refer to [Installing the Handheld Scanner Bracket](#).
 - b. Install the Handheld Scanner base dock. For more information, refer to [Installing the Handheld Scanner base dock](#).

Confidential and proprietary information of NCR Voyix Corporation.
Unauthorized use, reproduction and/or distribution is strictly prohibited.

Removing the Handheld Scanner base dock

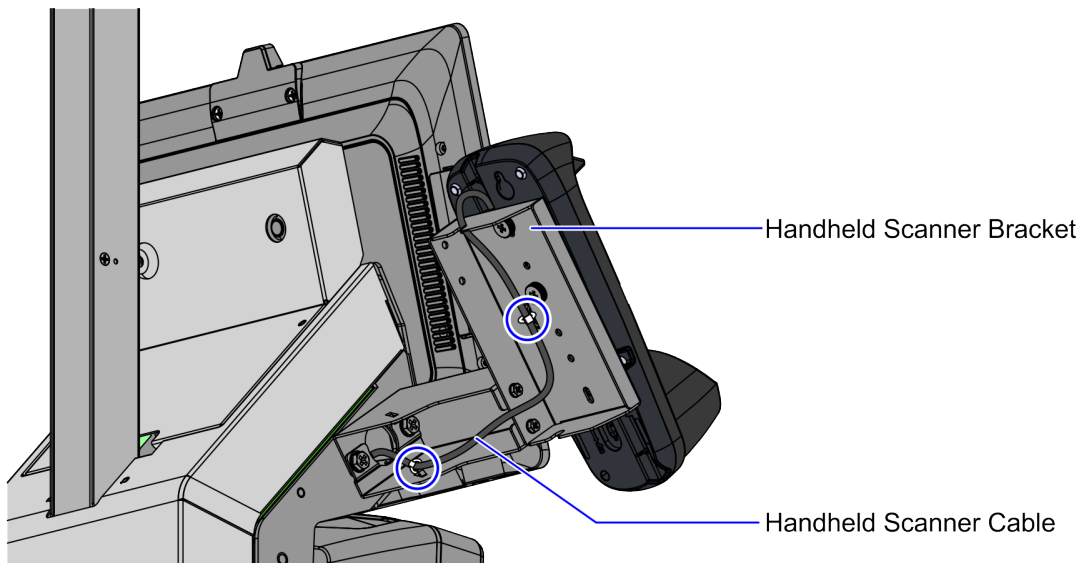
To remove the Handheld Scanner base dock, follow these steps:

1. Remove the Handheld Scanner from the base dock.



CCP-83899

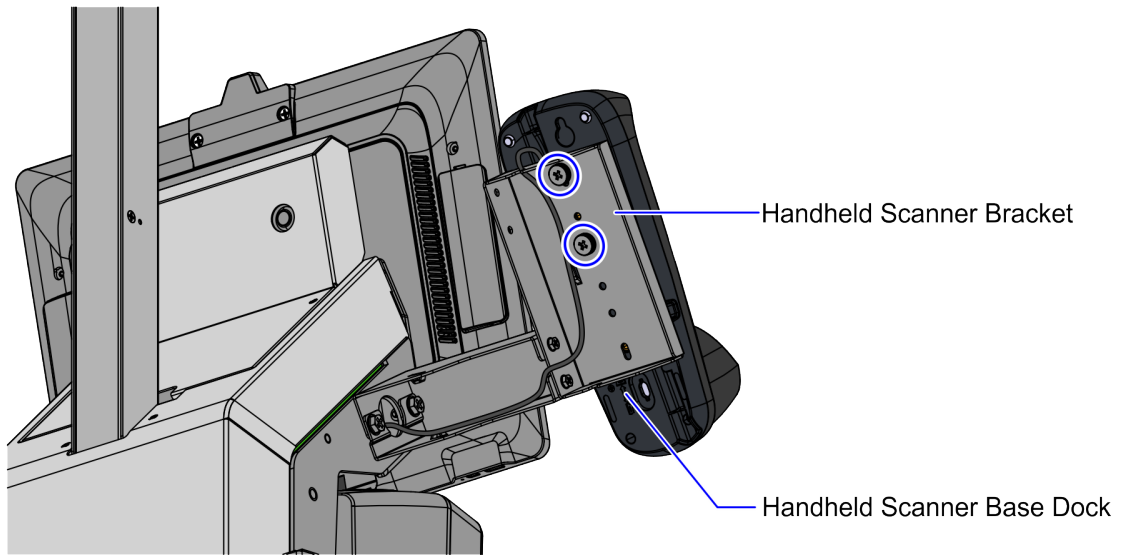
2. Remove the cable ties to detach the cable from the bracket.



CCP-83895

Confidential and proprietary information of NCR Voyix Corporation.
Unauthorized use, reproduction and/or distribution is strictly prohibited.

3. Remove two (2) screws to detach the base dock from the bracket.



CCP-83896

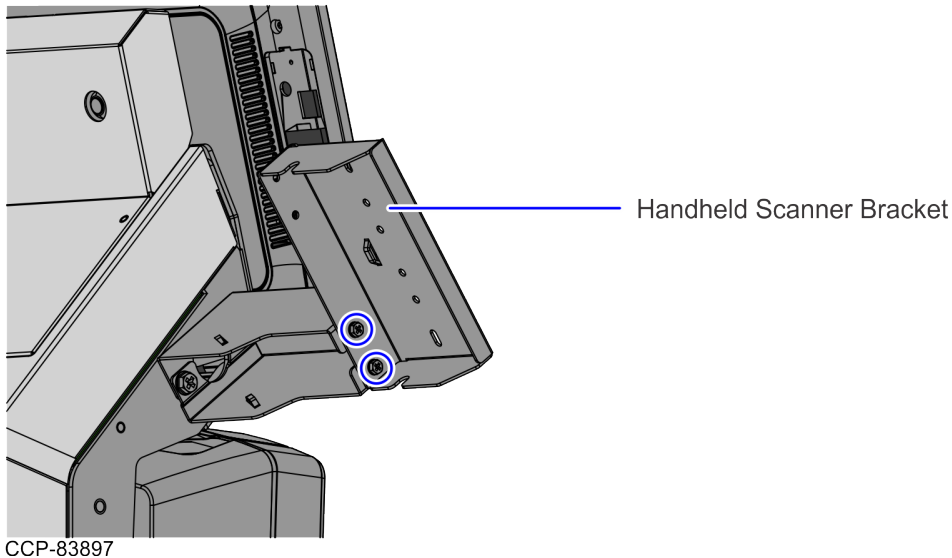
4. Disconnect the Handheld Scanner cable from the base dock.

Confidential and proprietary information of NCR Voyix Corporation.
Unauthorized use, reproduction and/or distribution is strictly prohibited.

Removing the Handheld Scanner bracket

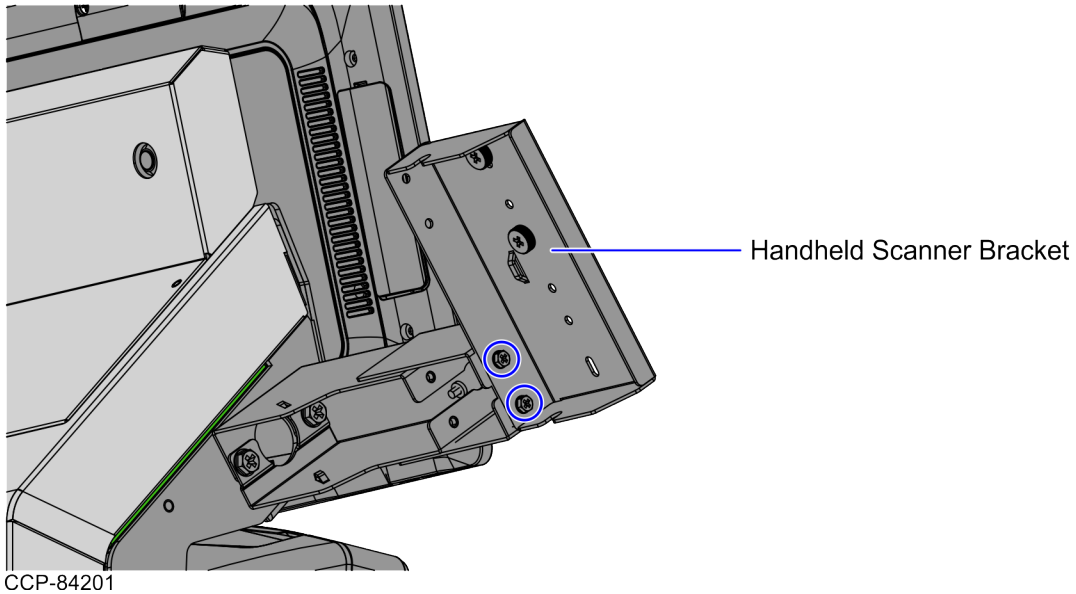
To remove the Handheld Scanner Bracket, follow these steps:

1. If necessary, remove the base dock from the bracket. For more information, refer to [Removing the Handheld Scanner base dock](#).
2. Remove two (2) screws to detach the bracket from the Handheld Scanner Arm, as shown in the image below.



Installing the Handheld Scanner Bracket

Attach the Handheld Scanner Bracket to the Handheld Scanner Extender using two (2) screws, as shown in the image below.

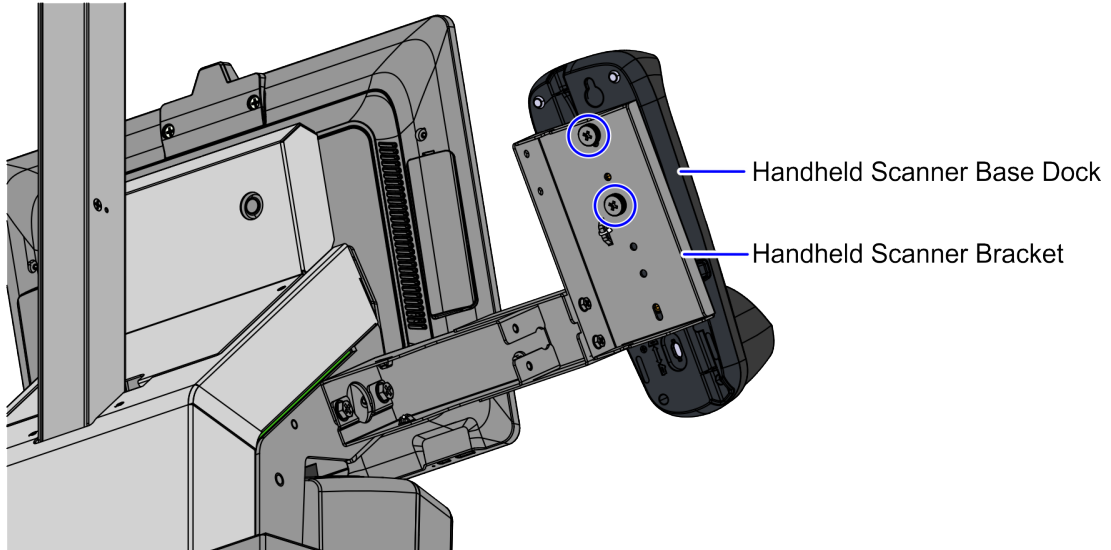


CCP-84201

Installing the Handheld Scanner base dock

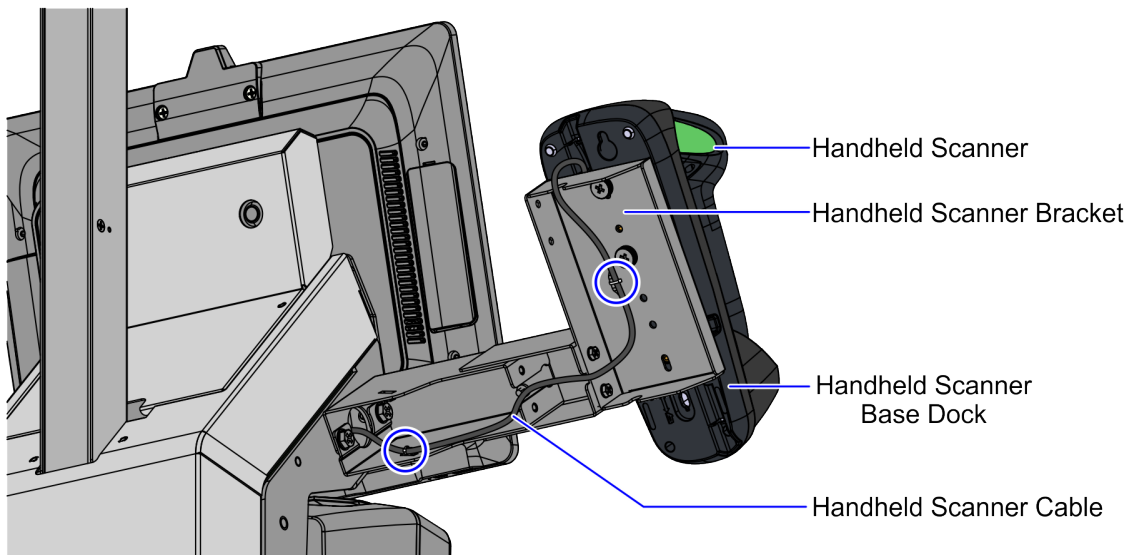
To install the Handheld Scanner base dock, follow these steps:

1. Remove the existing Handheld Scanner base dock, if necessary. For more information, refer to [Removing the Handheld Scanner base dock](#).
2. Attach the base dock to the Handheld Scanner Bracket using two (2) screws, as shown in the image below.



CCP-84203

3. Connect the Handheld Scanner cable to the base dock and secure the cable on the lance bridges at the back of the Handheld Scanner Bracket using cable ties, as shown in the image below.



CCP-84202

Confidential and proprietary information of NCR Voyix Corporation.

Unauthorized use, reproduction and/or distribution is strictly prohibited.