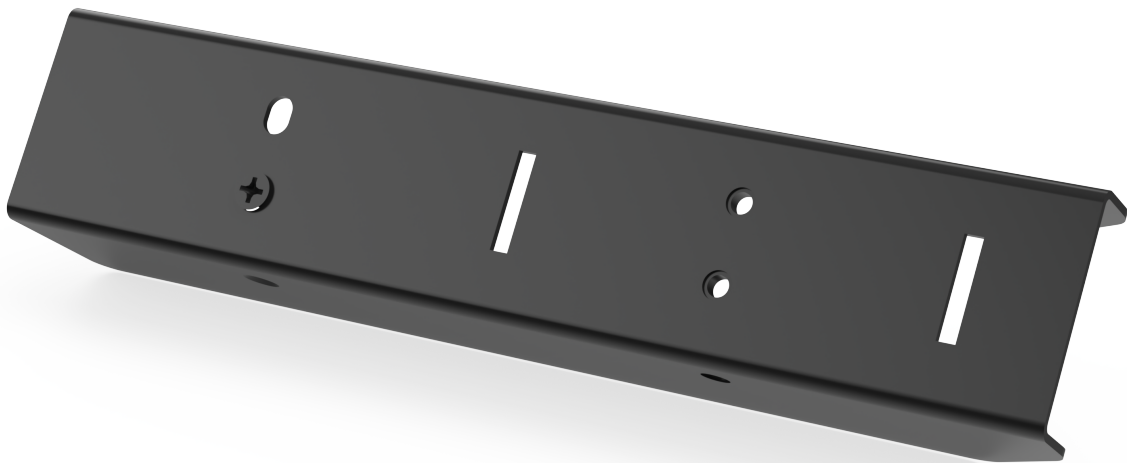




Kit Instructions

PIN Pad Arm Extender (22 inches)



7371-K800

Issue A

The product described in this document is a licensed product of NCR Corporation.

NCR is a registered trademark of NCR Corporation. NCR Self-Checkout Hardware is a trademark of NCR Corporation in the United States and/or other countries. Other product names mentioned in this publication may be trademarks or registered trademarks of their respective companies and are hereby acknowledged.

The terms HDMI and HDMI High-Definition Multimedia Interface, and the HDMI Logo are trademarks or registered trademarks of HDMI Licensing LLC in the United States and other countries.

Where creation of derivative works, modifications or copies of this NCR copyrighted documentation is permitted under the terms and conditions of an agreement you have with NCR, NCR's copyright notice must be included.

It is the policy of NCR Corporation (NCR) to improve products as new technology, components, software, and firmware become available. NCR, therefore, reserves the right to change specifications without prior notice.

All features, functions, and operations described herein may not be marketed by NCR in all parts of the world. In some instances, photographs are of equipment prototypes. Therefore, before using this document, consult with your NCR representative or NCR office for information that is applicable and current.

Copyright © 2023

By NCR Voyix Corporation
Global Headquarters
864 Spring St. NW
Atlanta, GA 30308
United States
All Rights Reserved

Confidential and proprietary information of NCR Voyix Corporation.
Unauthorized use, reproduction and/or distribution is strictly prohibited.

Revision Record

Issue	Date	Remarks
A	Nov 2023	First issue.

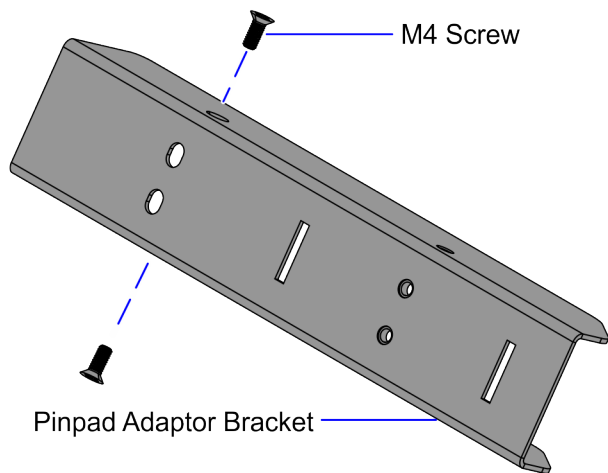
Confidential and proprietary information of NCR Voyix Corporation.
Unauthorized use, reproduction and/or distribution is strictly prohibited.

7371-K800 PIN Pad Arm Extender (22 inches)

This publication provides procedures for installing a 22-inch PIN Pad Arm Extender on either of the following SelfServ Checkout units:

- NCR Self-Checkout Hardware (7371)
- NCR Self-Checkout Hardware - Card Only Self-Checkout (7372)

Kit Contents



CCP-83834

Part Number	Description
497-0533928	7371-K800 Kit - Pinpad Arm 22" Extender
497-0533743	Pinpad Adaptor Bracket
006-8622623	SCREW, M4 X 10, FLAT HEAD, PHILLIPS, BLACK OXIDE (2 pcs)
* 497-0423108	Instructions Kit (Reference Sheet)

* Items marked with an asterisk are not called out on the image.

Confidential and proprietary information of NCR Voyix Corporation.
Unauthorized use, reproduction and/or distribution is strictly prohibited.

Installation Procedures

To install the PIN Pad Arm Extender, refer to either of the following procedures:

- [Installing the PIN Pad Arm Extender on Full Function Self-Checkout \(7371\) Configuration.](#)
- [Installing the PIN Pad Arm Extender on Card Only Self-Checkout \(7372\) Configuration.](#)

Installing the PIN Pad Arm Extender on Full Function Self-Checkout (7371) Configuration

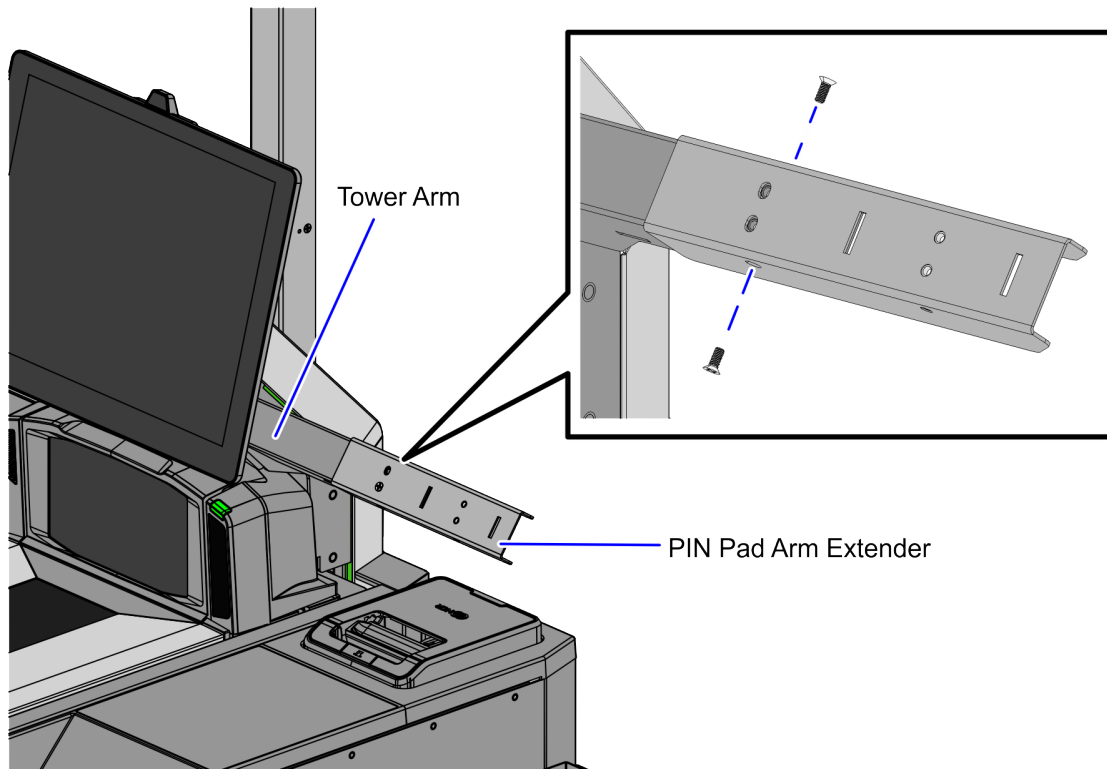
To install the PIN Pad Arm Extender, follow these steps:

1. Do the following, if necessary:
 - a. Remove the PIN Pad device.
 - b. Remove the PIN Pad Mount.

i Note

Depending on the type of PIN Pad device and PIN Pad mount used in the Self-Checkout unit, refer to [7371 Kit Repository](#) for more information on removing or installing the specific PIN Pad device and mount.

2. Mount the PIN Pad Arm Extender onto the PIN Pad Arm and secure using two (2) screws, as shown in the image below.



CCP-83887

3. Do the following:
 - a. Install the PIN Pad Mount.
 - b. Install the PIN Pad device.

i Note

Depending on the type of PIN Pad device and PIN Pad mount used in the SelfServ Checkout unit, refer to the [7371 Kit Repository Site](#) for more information on removing or installing the specific PIN Pad device and mount.

Installing the PIN Pad Arm Extender on Card Only Self-Checkout (7372) Configuration

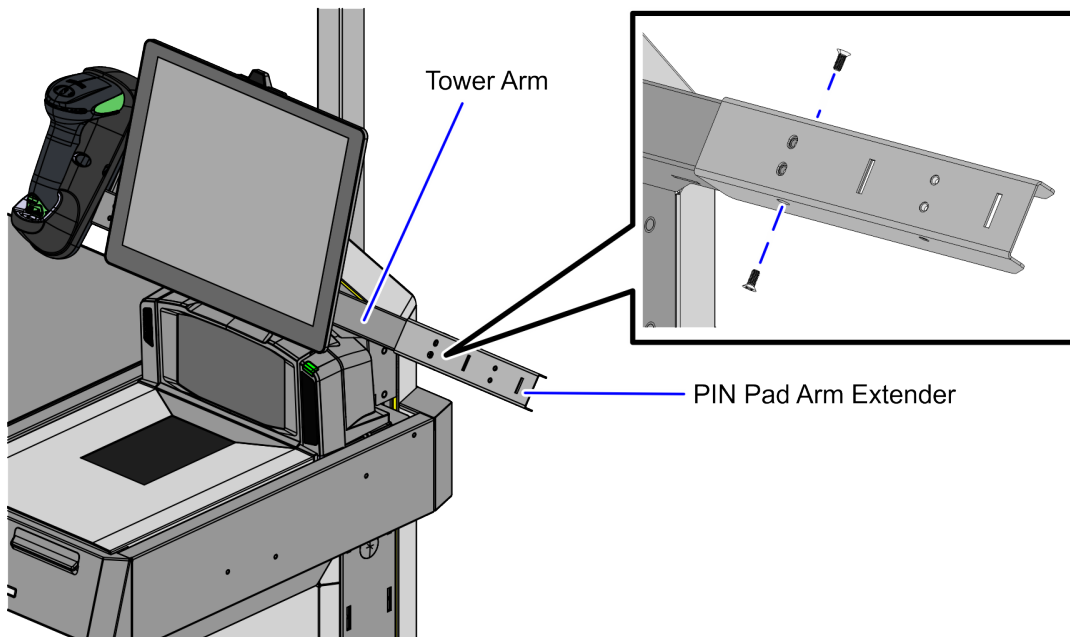
To install the PIN Pad Arm Extender, refer to either of the following:

1. Do the following, if necessary:
 - a. Remove the PIN Pad device.
 - b. Remove the PIN Pad Mount.

i Note

Depending on the type of PIN Pad device and PIN Pad mount used in the SelfServ Checkout unit, refer to the [7372 Kit Repository](#) for more information on removing or installing the specific PIN Pad device and mount.

2. Mount the PIN Pad Arm Extender onto the PIN Pad Arm and secure using two (2) screws, as shown in the image below.



CCP-83892

3. Do the following:
 - a. Install the PIN Pad Mount.
 - b. Install the PIN Pad device.

i Note

Depending on the type of PIN Pad device and PIN Pad mount used in the SelfServ Checkout unit, refer to the [7372 Kit Repository Site](#) for more information on removing or installing the specific PIN Pad device and mount.

Confidential and proprietary information of NCR Voyix Corporation.

Unauthorized use, reproduction and/or distribution is strictly prohibited.