



Kit Instructions

Coin Purge Bin



7371-K599

Issue A

The product described in this document is a licensed product of NCR Corporation.

NCR is a registered trademark of NCR Corporation. NCR Self-Checkout Hardware is a trademark of NCR Corporation in the United States and/or other countries. Other product names mentioned in this publication may be trademarks or registered trademarks of their respective companies and are hereby acknowledged.

The terms HDMI and HDMI High-Definition Multimedia Interface, and the HDMI Logo are trademarks or registered trademarks of HDMI Licensing LLC in the United States and other countries.

Where creation of derivative works, modifications or copies of this NCR copyrighted documentation is permitted under the terms and conditions of an agreement you have with NCR, NCR's copyright notice must be included.

It is the policy of NCR Corporation (NCR) to improve products as new technology, components, software, and firmware become available. NCR, therefore, reserves the right to change specifications without prior notice.

All features, functions, and operations described herein may not be marketed by NCR in all parts of the world. In some instances, photographs are of equipment prototypes. Therefore, before using this document, consult with your NCR representative or NCR office for information that is applicable and current.

Copyright © 2023

By NCR Voyix Corporation
Global Headquarters
864 Spring St. NW
Atlanta, GA 30308
United States
All Rights Reserved

Confidential and proprietary information of NCR Voyix Corporation.
Unauthorized use, reproduction and/or distribution is strictly prohibited.

Revision Record

| Issue | Date | Remarks |
|-------|----------|--------------|
| A | Nov 2023 | First issue. |
| | | |

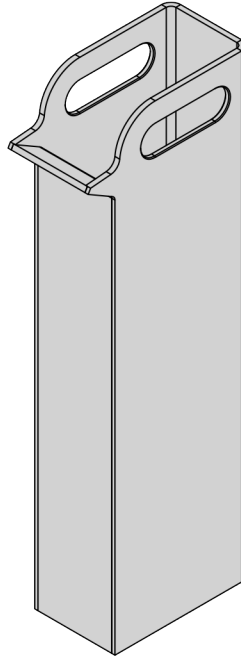
Confidential and proprietary information of NCR Voyix Corporation.
Unauthorized use, reproduction and/or distribution is strictly prohibited.

Coin Purge Bin

This publication provides instructions on how to use the 7371-K599 Coin Purge Bin with the 7371 NCR Self-Checkout Hardware.

Kit Contents

7371 Coin Purge Bin



CCP-83052

| Part Number | Description |
|---------------|------------------------------------|
| 497-0535012 | 7371-K599 Coin Purge Bin |
| 497-0534386 | 7371 Coin Purge Bin |
| * 497-0423108 | Instructions Kit (Reference Sheet) |

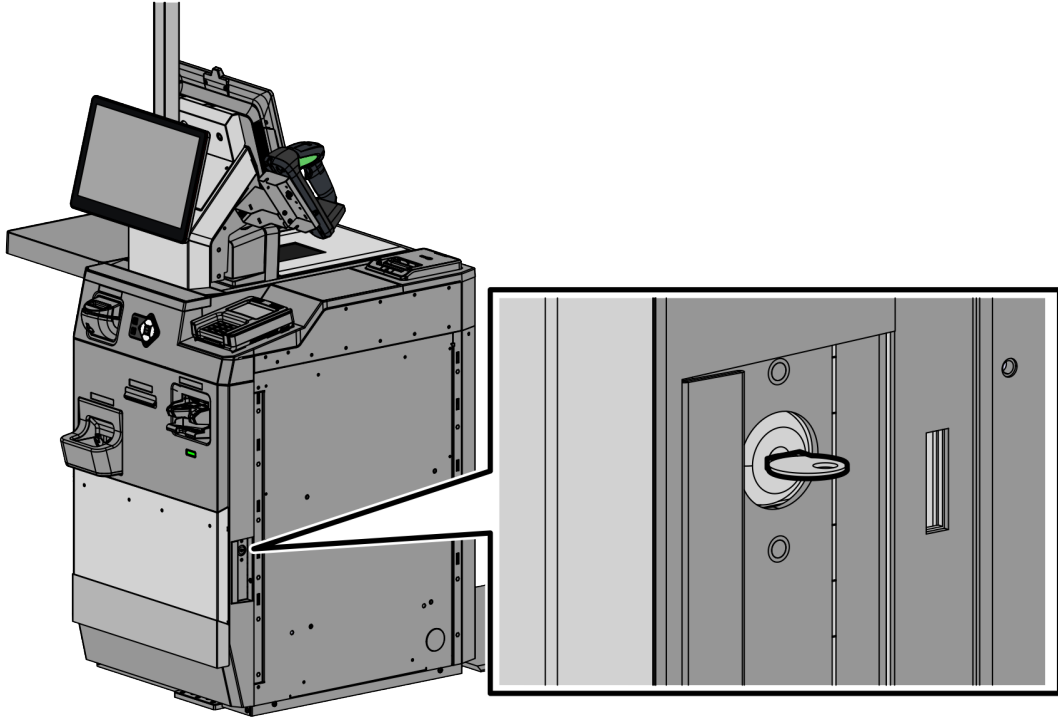
* Items marked with an asterisk are not called out on the image.

Confidential and proprietary information of NCR Voyix Corporation.
Unauthorized use, reproduction and/or distribution is strictly prohibited.

Installation Procedure

To install the 7371-K599 Coin Purge Bin follow these steps:

1. Unlock and open the Cosmetic Door using a key.



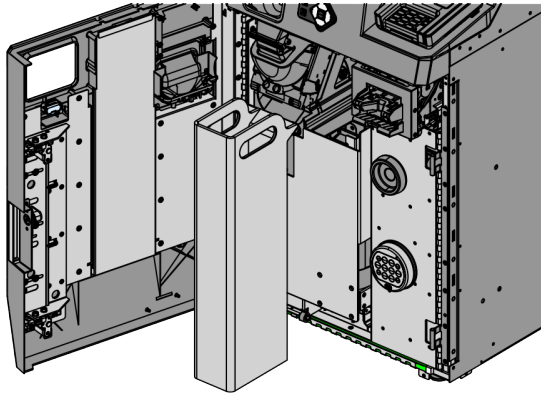
CCP-84254

Confidential and proprietary information of NCR Voyix Corporation.
Unauthorized use, reproduction and/or distribution is strictly prohibited.

- Place the Coin Purge Bin in front of the Coin Recycler.

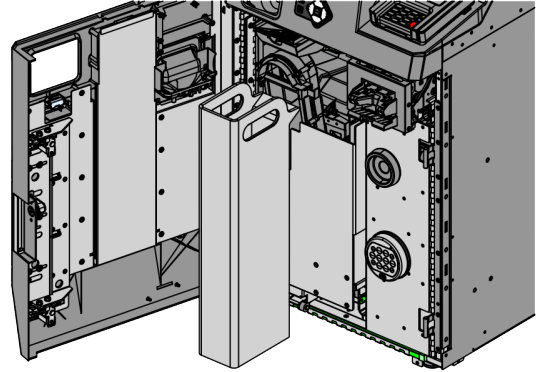
i Note
To avoid coins from spilling out of the bin, ensure that the bin snout is aligned with the coin exit.

CR5000 Coin Recycler



CCP-83084

SCS Coin Recycler (ITL)



- Dispense the coins into the Coin Purge Bin using the Profile Manager Lite (PML) application. For more information, refer to [Profile Manager Lite \(PML\) User Guide for ADD 3.X](#) (B005-0000-2279).

i Note
If the Cash Management function is installed, it can be used to dispense all coins from the Coin Recycler.