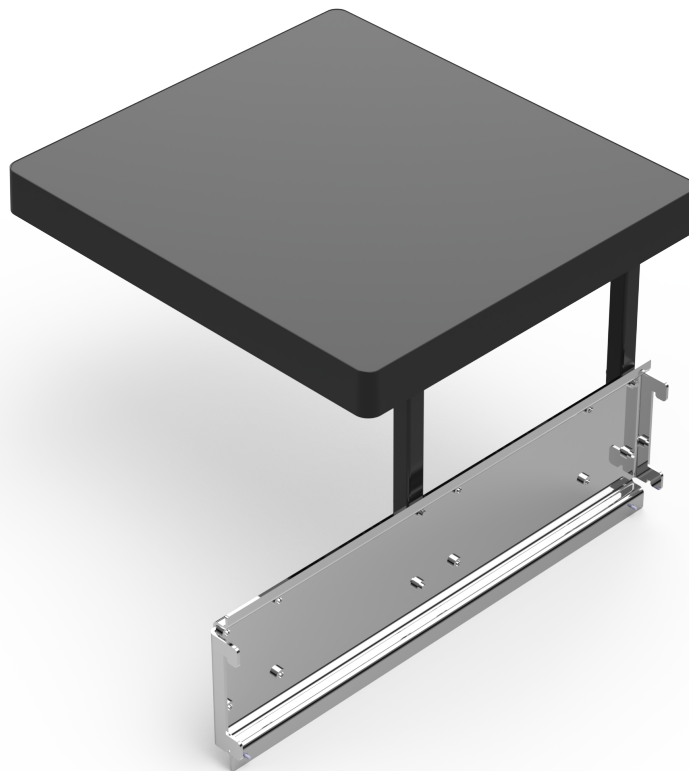




# Kit Instructions

## Input Shelf (Half Depth - Full Function)



7371-K501

Issue A

# Copyright

---

The product described in this document is a licensed product of NCR Corporation.

NCR is a registered trademark of NCR Corporation. NCR [Product] is a trademark of NCR Corporation in the United States and/or other countries. Other product names mentioned in this publication may be trademarks or registered trademarks of their respective companies and are hereby acknowledged.



Java is a registered trademark of Oracle and/or its affiliates.

The terms HDMI and HDMI High-Definition Multimedia Interface, and the HDMI Logo are trademarks or registered trademarks of HDMI Licensing LLC in the United States and other countries.

Where creation of derivative works, modifications or copies of this NCR copyrighted documentation is permitted under the terms and conditions of an agreement you have with NCR, NCR's copyright notice must be included.

It is the policy of NCR Corporation (NCR) to improve products as new technology, components, software, and firmware become available. NCR, therefore, reserves the right to change specifications without prior notice.

All features, functions, and operations described herein may not be marketed by NCR in all parts of the world. In some instances, photographs are of equipment prototypes. Therefore, before using this document, consult with your NCR representative or NCR office for information that is applicable and current.

Copyright © 2024  
By NCR Voyix Corporation  
Global Headquarters  
864 Spring St. NW  
Atlanta, GA 30308  
United States  
All Rights Reserved

Confidential and proprietary information of NCR Voyix Corporation.  
Unauthorized use, reproduction and/or distribution is strictly prohibited.

# Revision Record

---

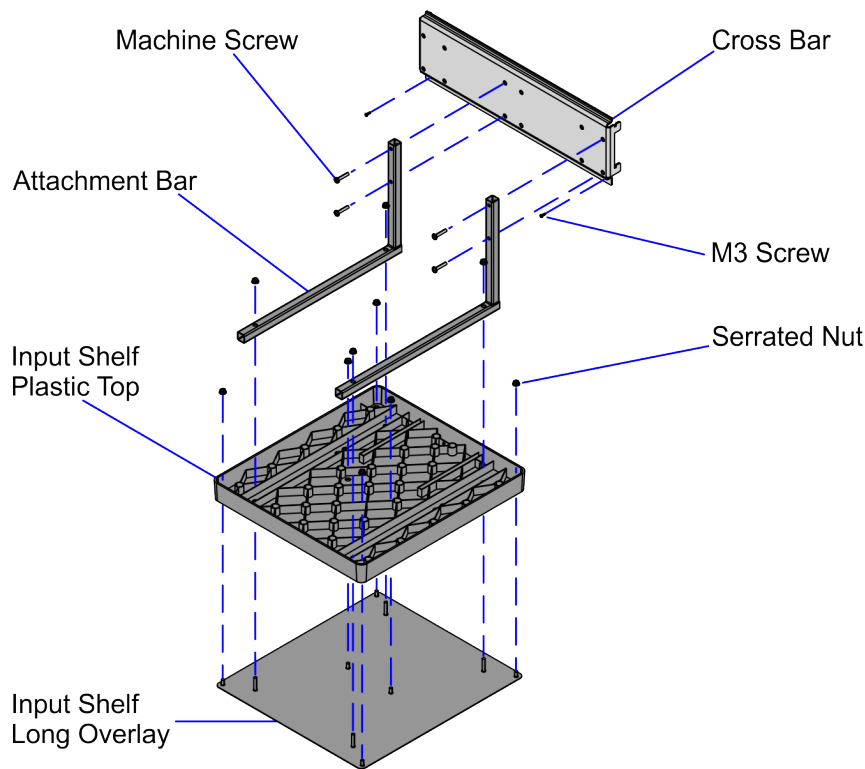
Issue	Date	Remarks
A	Oct 2023	First issue.

# Input Shelf (Half Depth - Full Function)

This publication provides instructions for installing the 7371-K501 Input Shelf (Half Depth - Full Function) kit on any of the following NCR Self-Checkout Hardware (7371) configurations:

- 7371 Full Function Self-Checkout
- 7371 Full Function Hybrid Self-Checkout

## Kit Contents



CCP-82767

	Description
497-0533904	7371-K501 Input Shelf (Half Depth - Full Function)
497-0533364	Input Shelf Plastic
497-0533363	Top, Shelf

Confidential and proprietary information of NCR Voyix Corporation.  
 Unauthorized use, reproduction and/or distribution is strictly prohibited.

	Description
009-0007088	Serrated Nut-Self Locking (Hex,M6,6.0) (10 Pcs)
497-0532549	Weldment, Support, Shelf (2 Pcs)
006-8628560	Machine Screw, Pan, M6X30, Black-Oxide (4 Pcs)
497-0533460	Input Shelf Cross Bar
006-8628621	M3 X 10 Screw, Pan Head, Black Oxide (2 Pcs)
* 497-0423108	Instructions Kit (Reference Sheet)

\* Items marked with an asterisk are not called out on the image.

# Installation Procedures

Installing the 7371-K501 Input Shelf (Half Depth - Full Function) kit depends on the NCR Self-Checkout Hardware (7371) unit configuration. For more information, refer to any of the following procedures:

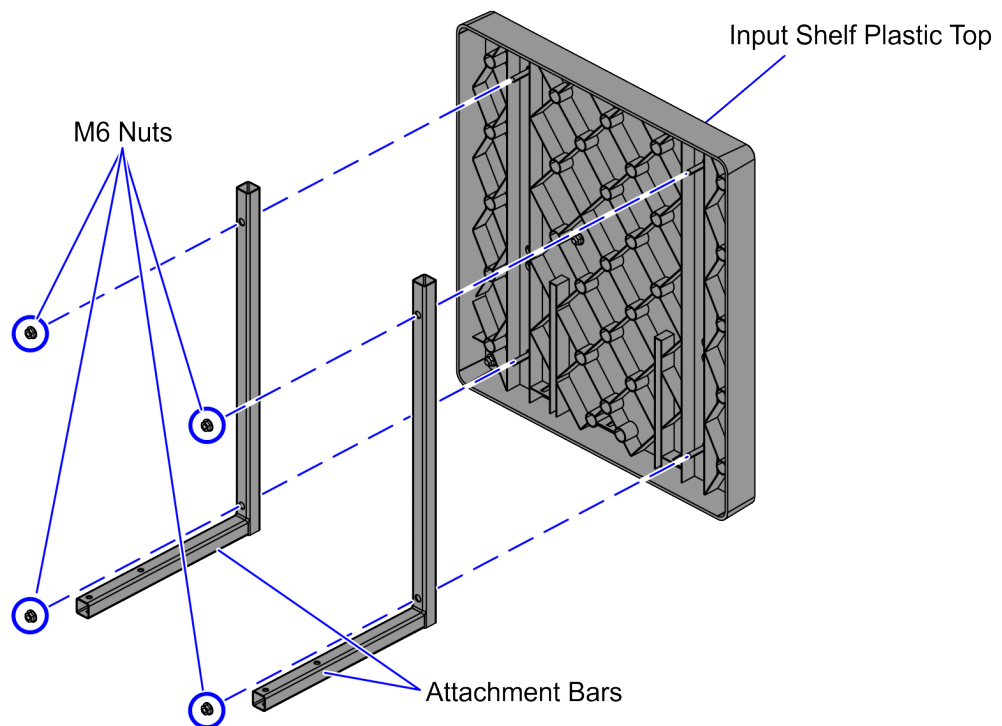
- [7371 Full Function Self-Checkout on the next page](#)
- [7371 Full Function Hybrid Self-Checkout on page 8](#)

# 7371 Full Function Self-Checkout

To install the 7371-K501 Input Shelf (Half Depth - Full Function) kit on the 7371 Full Function Self-Checkout unit, follow these steps:

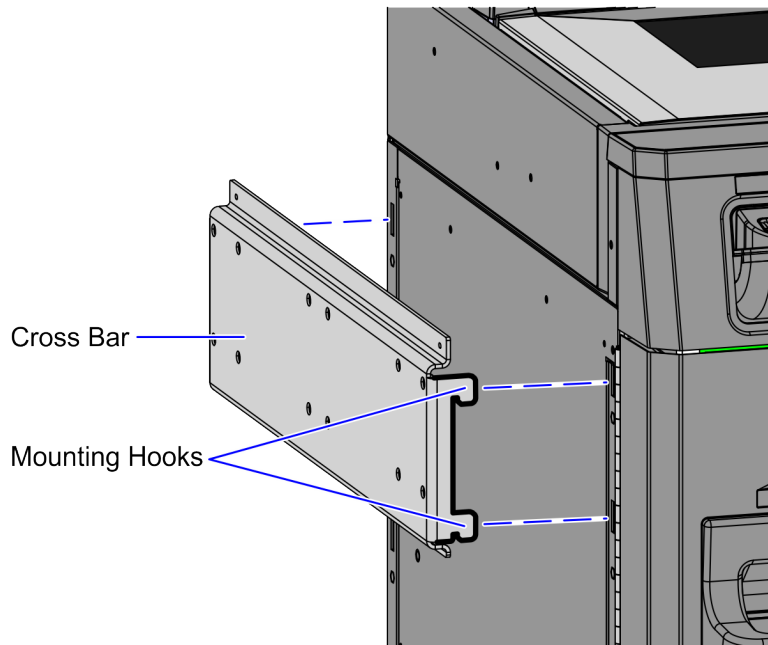
**i Note**  
The Input Shelf can be installed on either a Left-hand (LH) unit or a Right-hand (RH) unit. This procedure shows how to install the shelf on a Left-hand (LH) unit only as an example.

1. Using two (2) M6 nuts, secure each Attachment Bar to the Input Shelf Plastic Top, as shown in the image below.



CCP-82772

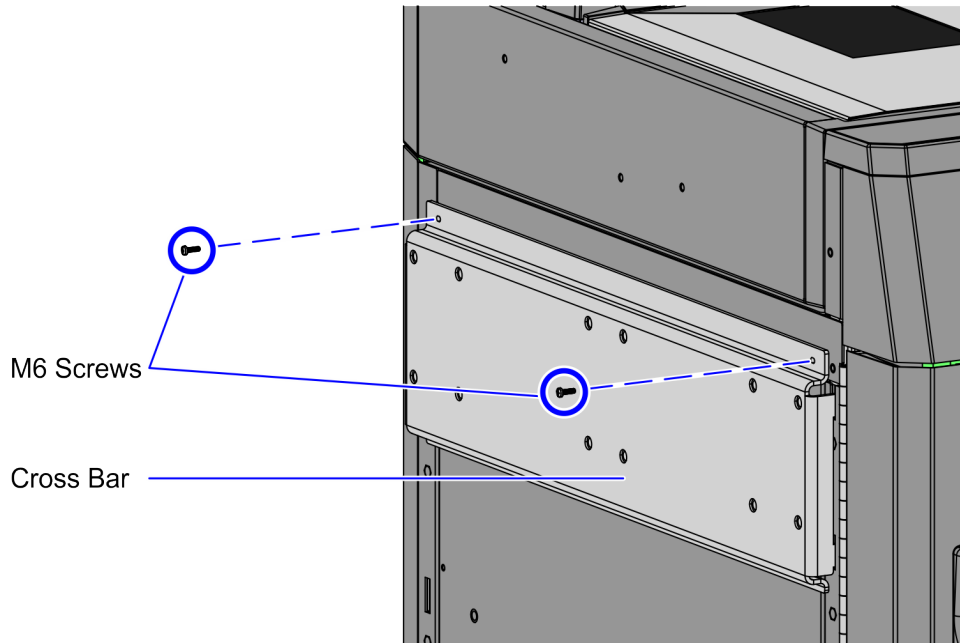
2. Slide the mounting hooks of the Cross Bar into the first and second slotted holes on the side of the Core Cabinet, as shown in the image below.



CCP-83104

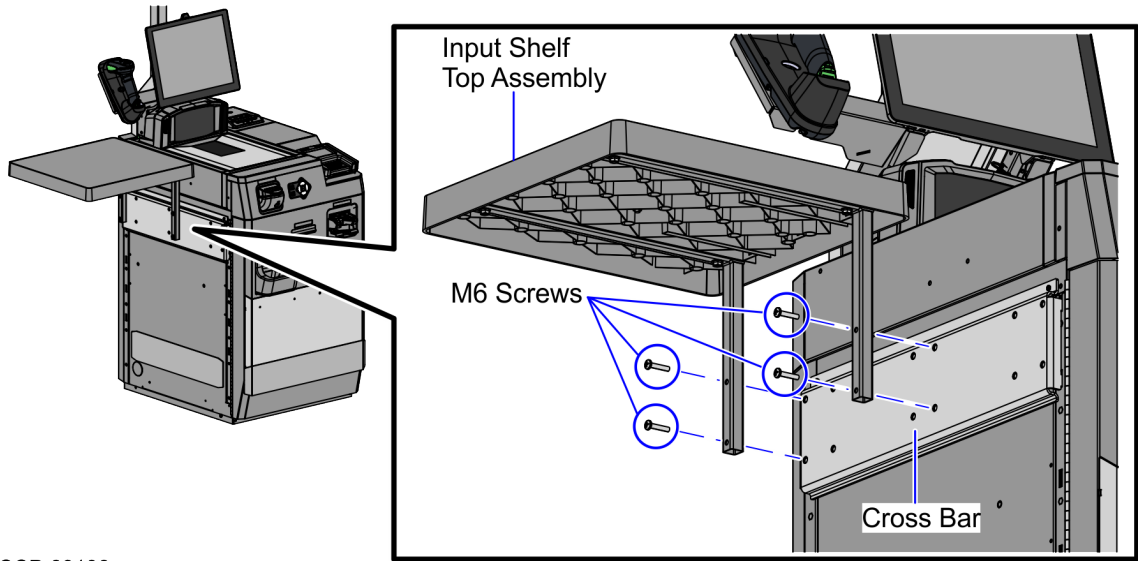


- Using two (2) M3 screws, secure the Cross Bar to the Core Cabinet.



CCP-83105

- Using four (4) M6 screws, attach the Input Shelf Top assembly to the Cross Bar, as shown in the image below.



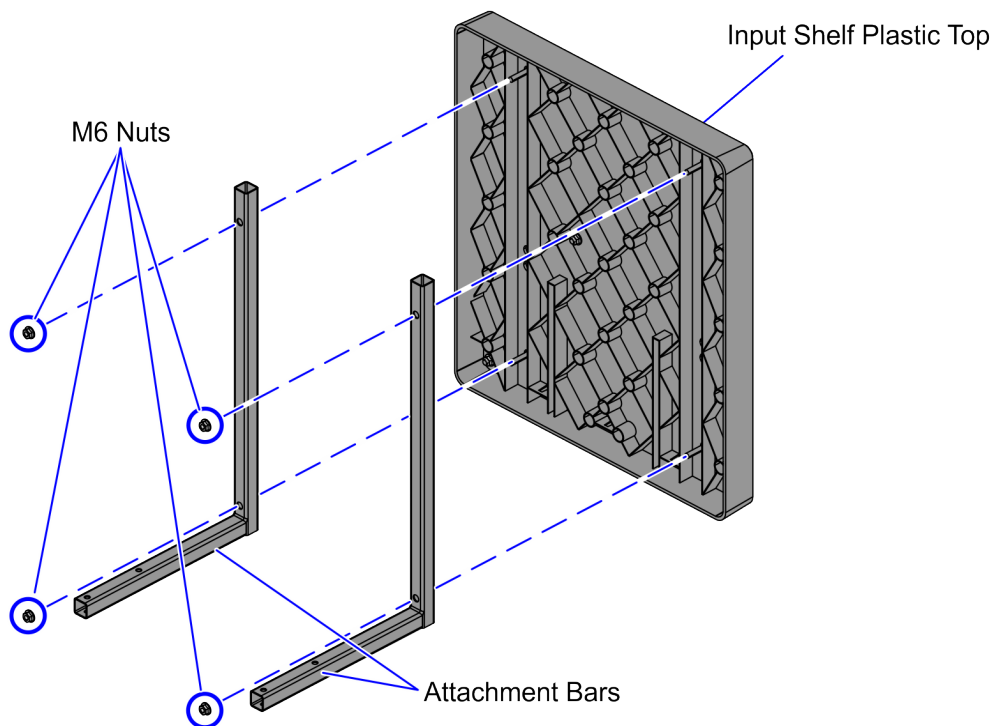
CCP-83106

# 7371 Full Function Hybrid Self-Checkout

To install the 7371-K501 Input Shelf (Half Depth - Full Function) kit on the 7371 Full Function Hybrid Self-Checkout unit, follow these steps:

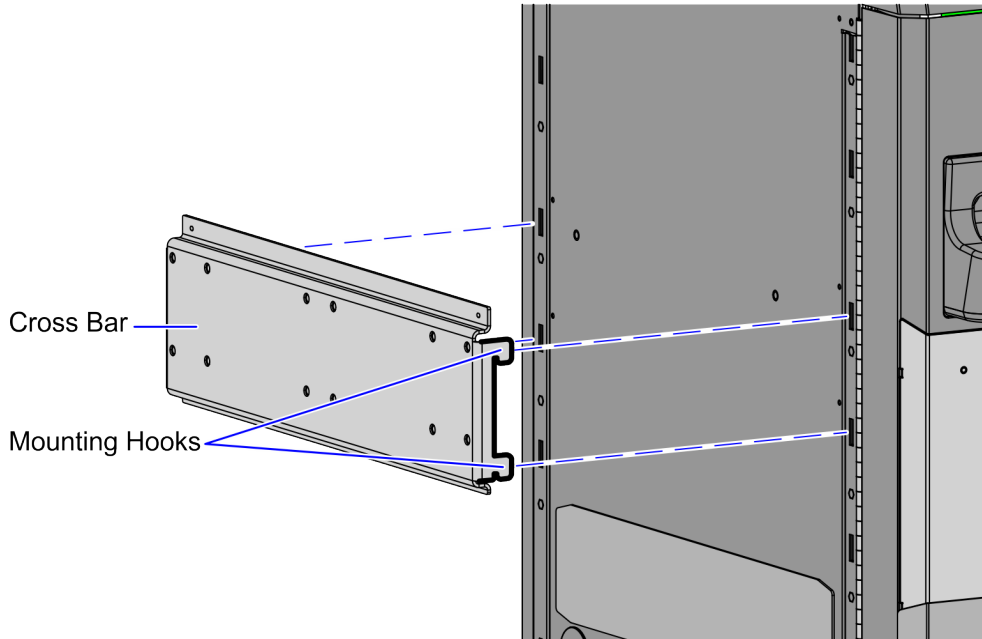
**i Note**  
The Input Shelf can be installed on either a Left-hand (LH) unit or a Right-hand (RH) unit. This procedure shows how to install the shelf on a Left-hand (LH) unit only as an example.

1. Using two (2) M6 nuts, secure each Attachment Bar to the Input Shelf Plastic Top, as shown in the image below.



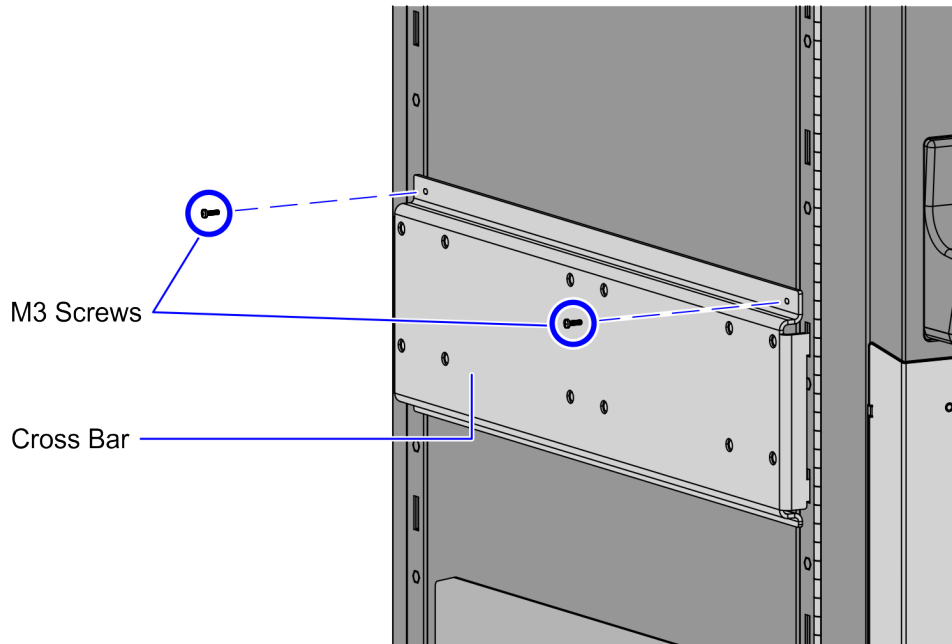
CCP-82772

- Slide the mounting hooks of the Cross Bar into the third and fourth slotted holes on the side of the Core Cabinet, as shown in the image below.



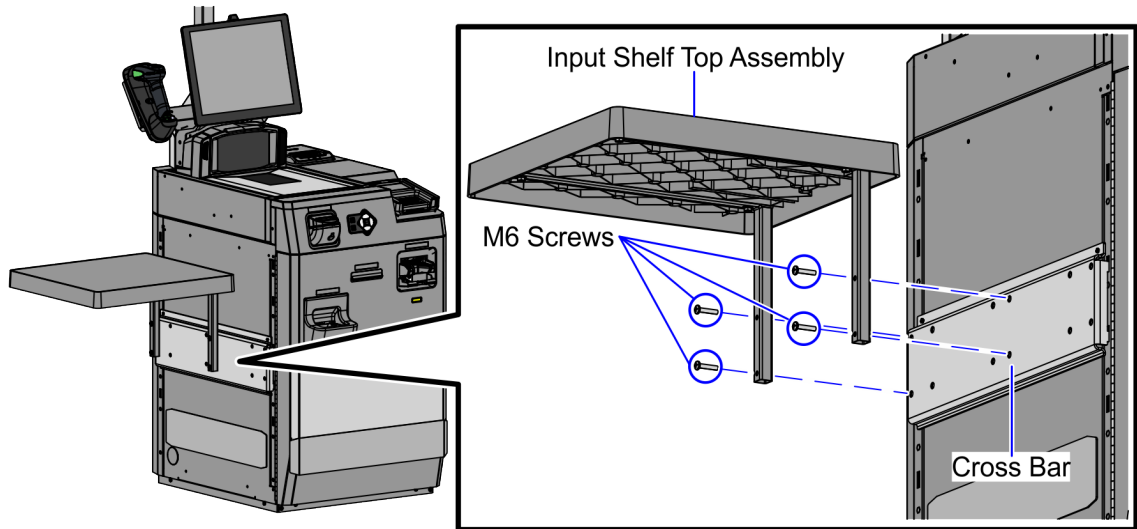
CCP-83107

- Using two (2) M3 screws, secure the Cross Bar to the Core Cabinet.



CCP-83108

- Using four (4) M6 screws, attach the Input Shelf Top assembly to the Cross Bar, as shown in the image below.



CCP-83109