



Kit Instructions

Input Shelf (Full Depth)



7371-K500

Issue A

Copyright

The product described in this document is a licensed product of NCR Corporation.

NCR is a registered trademark of NCR Corporation. NCR [Product] is a trademark of NCR Corporation in the United States and/or other countries. Other product names mentioned in this publication may be trademarks or registered trademarks of their respective companies and are hereby acknowledged.



Java is a registered trademark of Oracle and/or its affiliates.

The terms HDMI and HDMI High-Definition Multimedia Interface, and the HDMI Logo are trademarks or registered trademarks of HDMI Licensing LLC in the United States and other countries.

Where creation of derivative works, modifications or copies of this NCR copyrighted documentation is permitted under the terms and conditions of an agreement you have with NCR, NCR's copyright notice must be included.

It is the policy of NCR Corporation (NCR) to improve products as new technology, components, software, and firmware become available. NCR, therefore, reserves the right to change specifications without prior notice.

All features, functions, and operations described herein may not be marketed by NCR in all parts of the world. In some instances, photographs are of equipment prototypes. Therefore, before using this document, consult with your NCR representative or NCR office for information that is applicable and current.

Copyright © 2024
By NCR Voyix Corporation
Global Headquarters
864 Spring St. NW
Atlanta, GA 30308
United States
All Rights Reserved

Confidential and proprietary information of NCR Voyix Corporation.
Unauthorized use, reproduction and/or distribution is strictly prohibited.

Revision Record

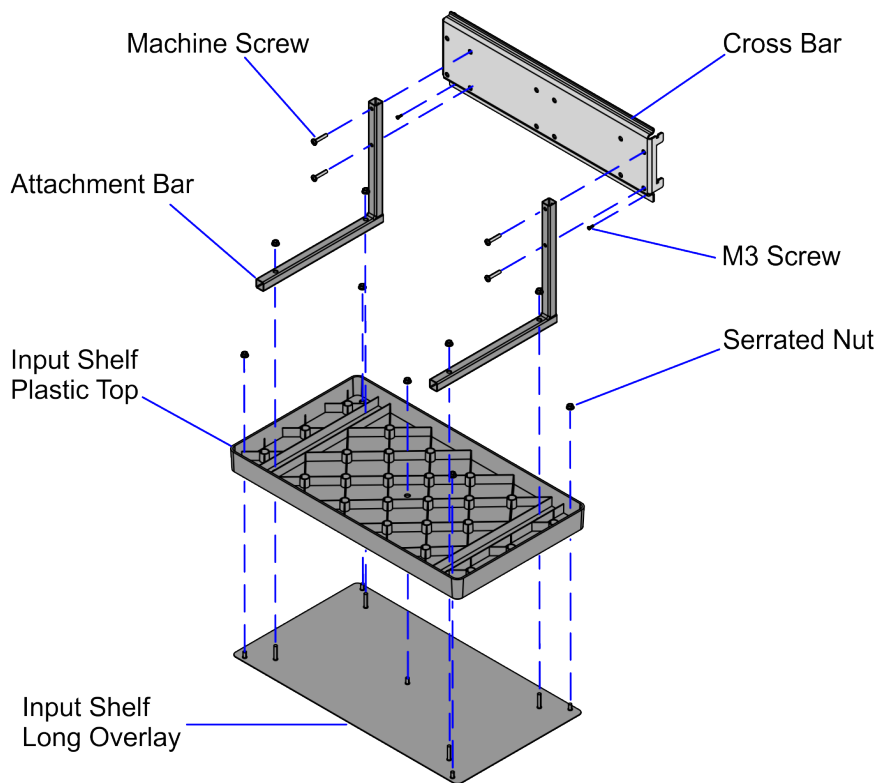
Issue	Date	Remarks
A	Oct 2023	First issue.

Input Shelf (Full Depth)

This publication provides instructions for installing the 7371-K500 Input Shelf (Full Depth) kit on any of the following NCR Self-Checkout Hardware (7371) configurations:

- 7371 Full Function Self-Checkout
- 7371 Full Function Hybrid Self-Checkout

Kit Contents



CCP-82766

Part Number	Description
497-0533903	7371-K500 Input Shelf (Full Depth)
497-0533623	Input Shelf Plastic Top
497-0533625	Input Shelf Long Overlay
497-0533624	Long Input Shelf Attachment Bar (2 Pcs)

Confidential and proprietary information of NCR Voyix Corporation.
 Unauthorized use, reproduction and/or distribution is strictly prohibited.

Part Number	Description
497-0533460	Input Shelf Cross Bar
009-0007088	Serrated Nut-Self Locking (Hex,M6,6.0) (9 Pcs)
006-8628560	Machine Screw, Pan, M6X30, Black-Oxide (4 Pcs)
006-8628621	M3 X 10 Screw, Pan Head, Black Oxide (2 Pcs)
* 497-0423108	Instructions Kit (Reference Sheet)

* Items marked with an asterisk are not called out on the image.

Installation Procedures

Installing the 7371-K500 Input Shelf (Full Depth) kit depends on the NCR Self-Checkout Hardware (7371) configuration. For more information, refer to any of the following procedures:

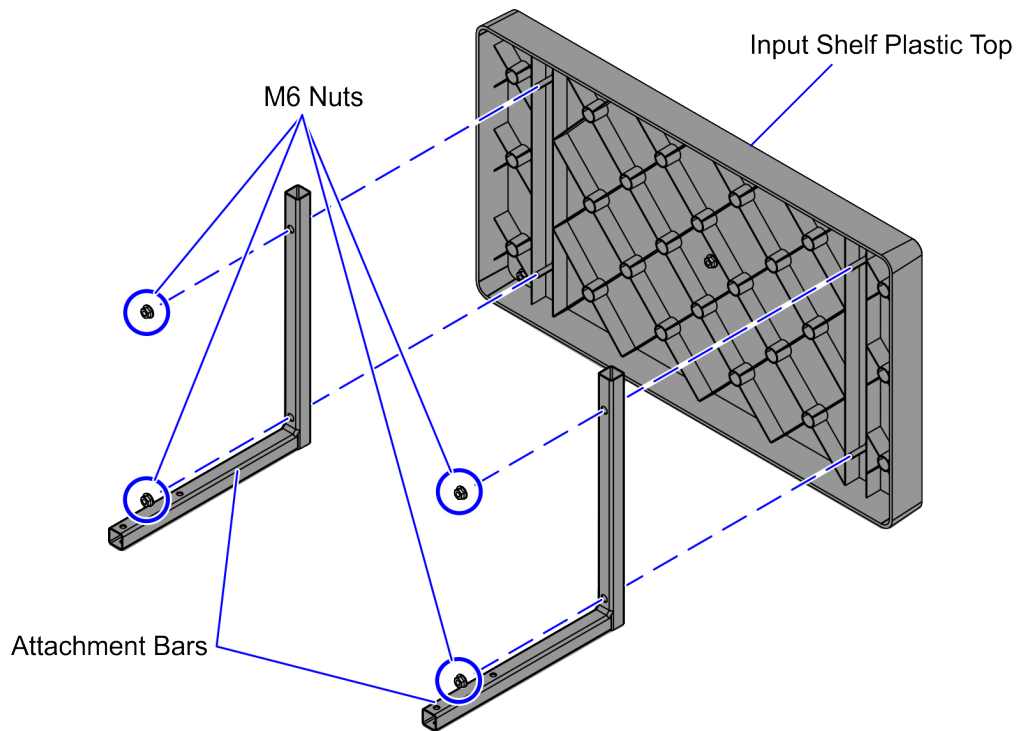
- [7371 Full Function Self-Checkout on the next page](#)
- [7371 Full Function Hybrid Self-Checkout on page 7](#)

7371 Full Function Self-Checkout

To install the 7371-K500 Input Shelf (Full Depth) kit on the 7371 Full Function Self-Checkout unit, follow these steps:

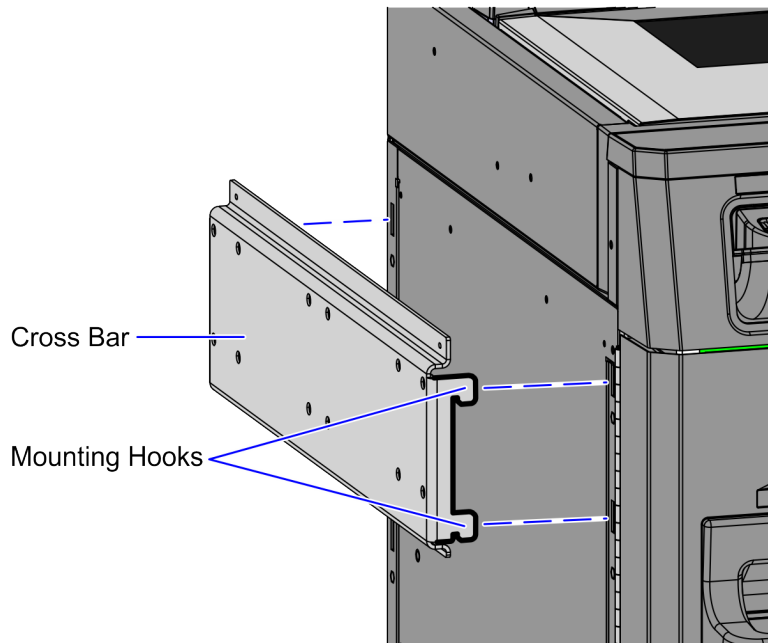
i Note
The Input Shelf can be installed on either a Left-hand (LH) unit or a Right-hand (RH) unit. This procedure shows how to install the shelf on a Left-hand (LH) unit only as an example.

1. Secure each Attachment Bar to the Input Shelf Plastic Top using two (2) M6 nuts, as shown in the image below.



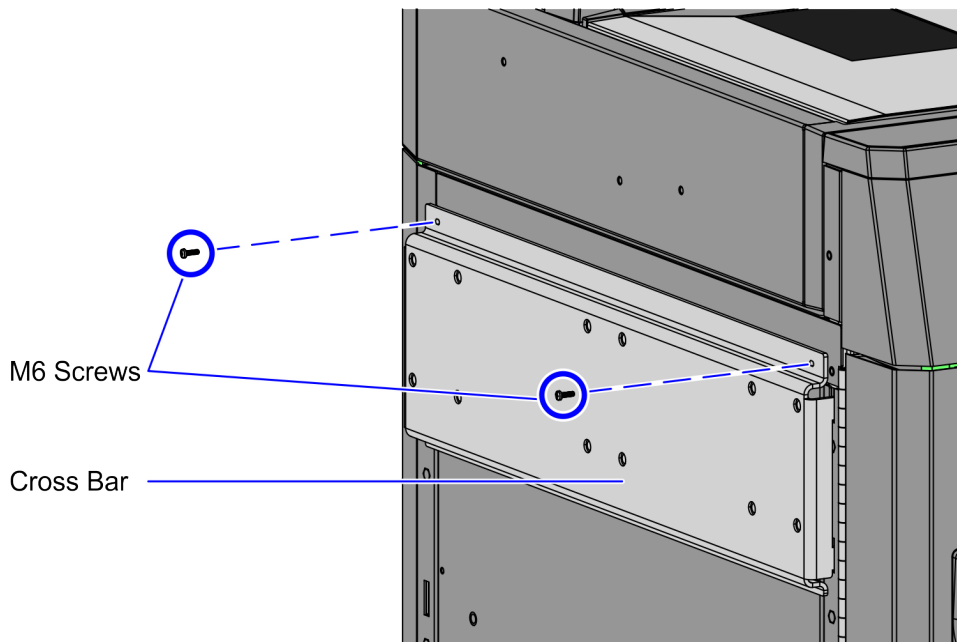
CCP-82768

- Slide the mounting hooks of the Cross Bar into the first and second slotted holes on the side of the Core Cabinet, as shown in the image below.



CCP-83104

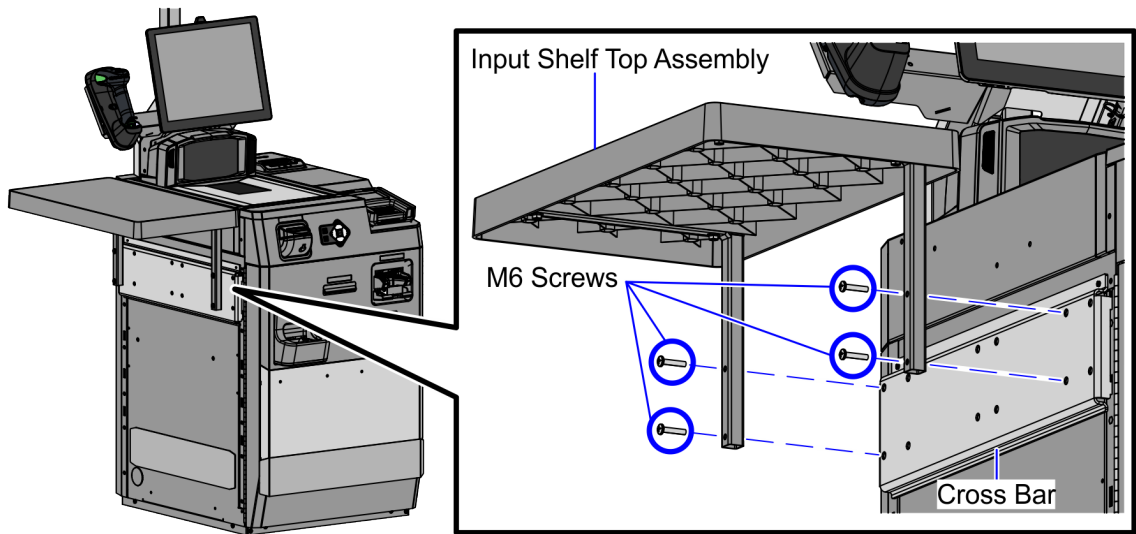
- Secure the Cross Bar to the Core Cabinet using two (2) M3 screws.



CCP-83105

- Attach the Input Shelf Top assembly to the Cross Bar using four (4) M6 screws, as

shown in the image below.



CCP-83110

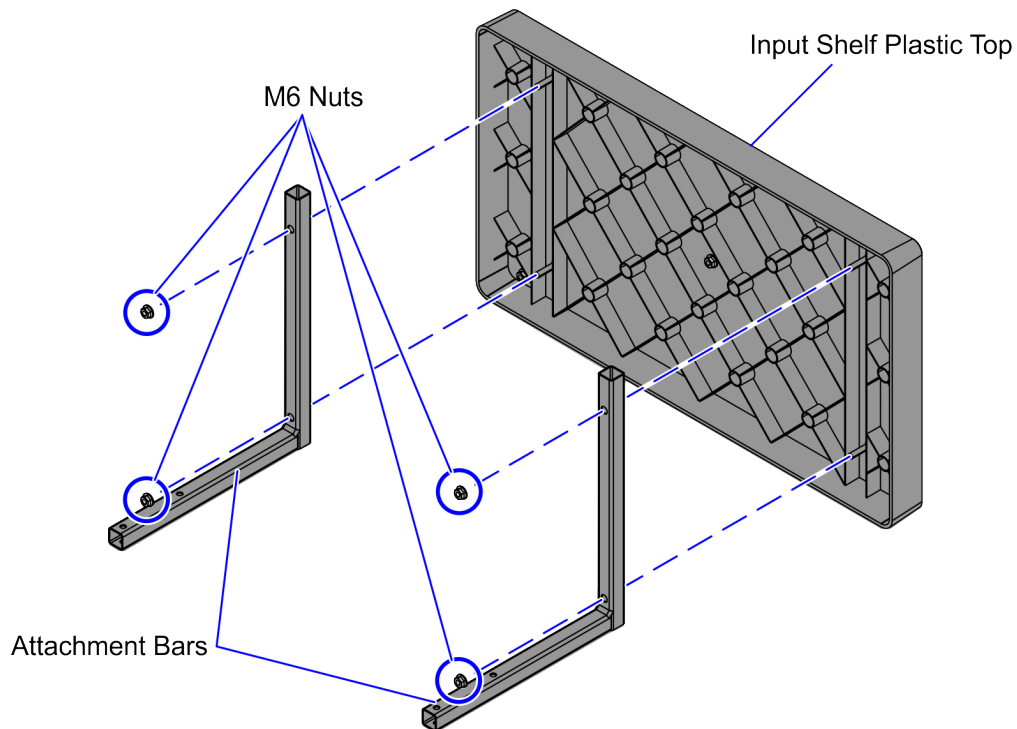
Confidential and proprietary information of NCR Voyix Corporation.
Unauthorized use, reproduction and/or distribution is strictly prohibited.

7371 Full Function Hybrid Self-Checkout

To install the 7371-K500 Input Shelf (Full Depth) kit on the 7371 Full Function Hybrid Self-Checkout unit, follow these steps:

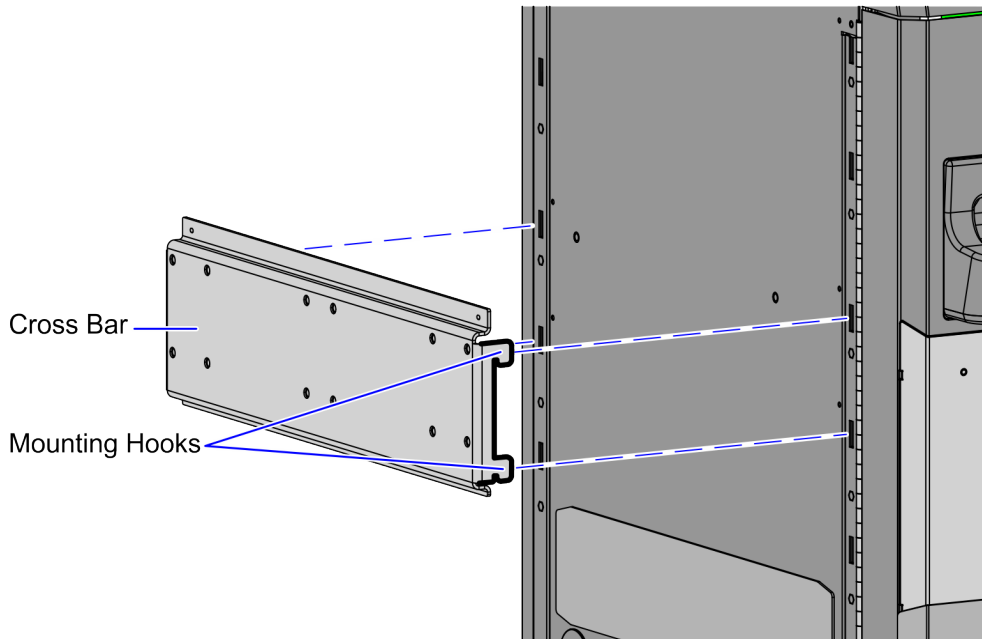
i Note
The Input Shelf can be installed on either a Left-hand (LH) unit or a Right-hand (RH) unit. This procedure shows how to install the shelf on a Left-hand (LH) unit only as an example.

1. Secure each Attachment Bar to the Input Shelf Plastic Top using two (2) M6 nuts, as shown in the image below.



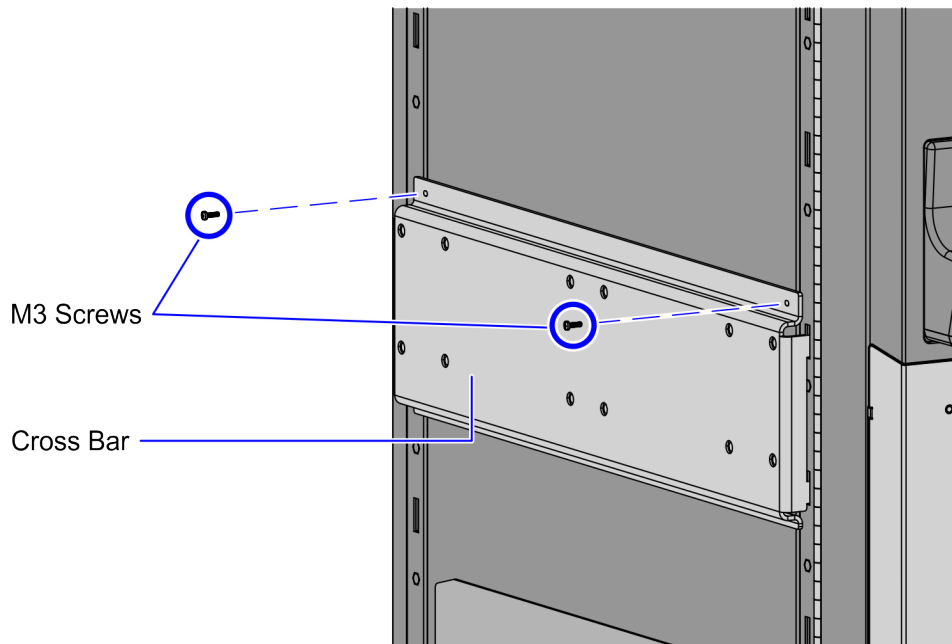
CCP-82768

- Slide the mounting hooks of the Cross Bar into the third and fourth slotted holes on the side of the Core Cabinet, as shown in the image below.



CCP-83107

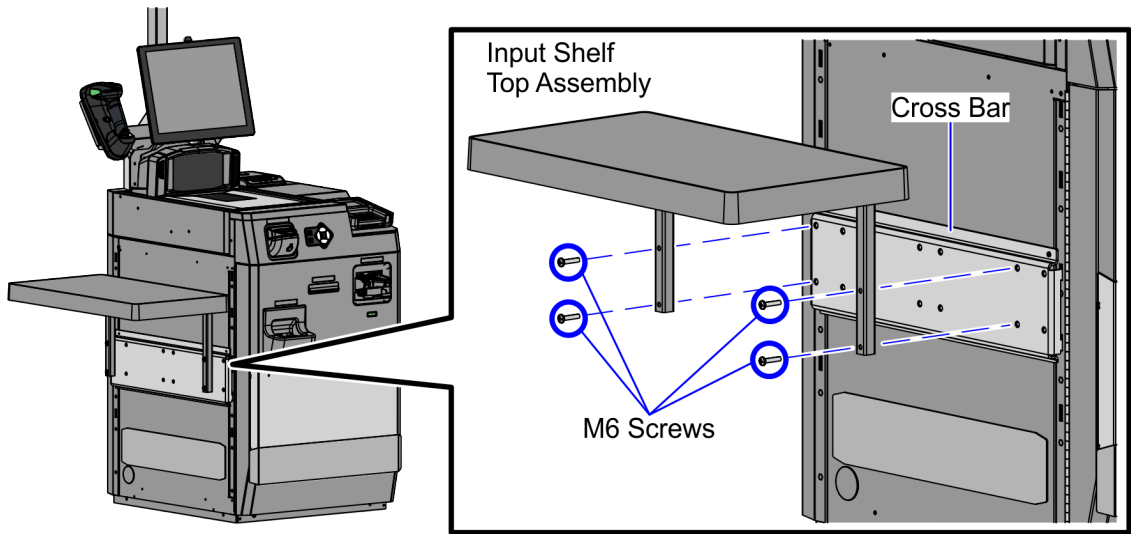
- Secure the Cross Bar to the Core Cabinet using two (2) M3 screws.



CCP-83108

- Attach the Input Shelf Top assembly to the Cross Bar using four (4) M6 screws, as

shown in the image below.



CCP-83111

Confidential and proprietary information of NCR Voyix Corporation.
Unauthorized use, reproduction and/or distribution is strictly prohibited.