



Kit Instructions

PIN Pad Arm Mount (Verifone P400)



7371-K356

Issue A

The product described in this document is a licensed product of NCR Corporation.

NCR is a registered trademark of NCR Corporation. NCR Self-Checkout Hardware is a trademark of NCR Corporation in the United States and/or other countries. Other product names mentioned in this publication may be trademarks or registered trademarks of their respective companies and are hereby acknowledged.

The terms HDMI and HDMI High-Definition Multimedia Interface, and the HDMI Logo are trademarks or registered trademarks of HDMI Licensing LLC in the United States and other countries.

Where creation of derivative works, modifications or copies of this NCR copyrighted documentation is permitted under the terms and conditions of an agreement you have with NCR, NCR's copyright notice must be included.

It is the policy of NCR Corporation (NCR) to improve products as new technology, components, software, and firmware become available. NCR, therefore, reserves the right to change specifications without prior notice.

All features, functions, and operations described herein may not be marketed by NCR in all parts of the world. In some instances, photographs are of equipment prototypes. Therefore, before using this document, consult with your NCR representative or NCR office for information that is applicable and current.

Copyright © 2023

By NCR Voyix Corporation
Global Headquarters
864 Spring St. NW
Atlanta, GA 30308
United States
All Rights Reserved

Confidential and proprietary information of NCR Voyix Corporation.
Unauthorized use, reproduction and/or distribution is strictly prohibited.

Revision Record

Issue	Date	Remarks
A	Oct 2023	First issue.

Confidential and proprietary information of NCR Voyix Corporation.
Unauthorized use, reproduction and/or distribution is strictly prohibited.

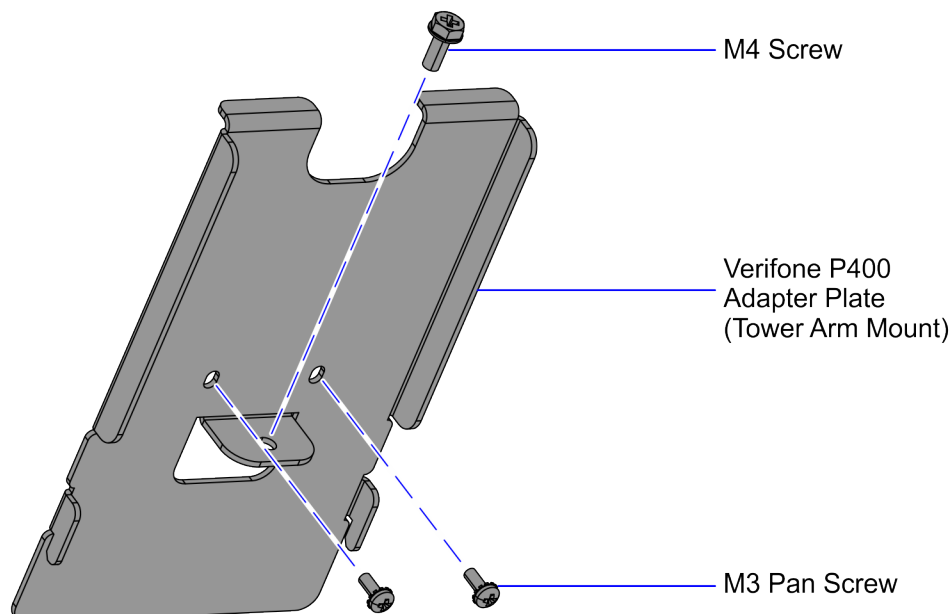
7371-K356 PIN Pad Arm Mount (Verifone P400)

This publication provides procedures for installing a PIN Pad Mount for a Verifone P400 device on the PIN Pad Arm of either of the following NCR Self-Checkout Hardware (7371) configurations:

- Full Function Self-Checkout units
- Full Function Self-Checkout (Hybrid) units

i Note
The Verifone P400 device is supplied by the customer.

Kit Contents



CCP-84243

Part Number	Description
497-0534985	7371-K356 Kit - PIN Pad Arm Mount (Verifone P400)
497-0535003	Verifone P400 Adapter Plate (Tower Arm Mount)
006-8612048	Screws ,M3 X 8, SEM, PHIL, PAN, STL, Z (2 pcs)

Confidential and proprietary information of NCR Voyix Corporation.
Unauthorized use, reproduction and/or distribution is strictly prohibited.

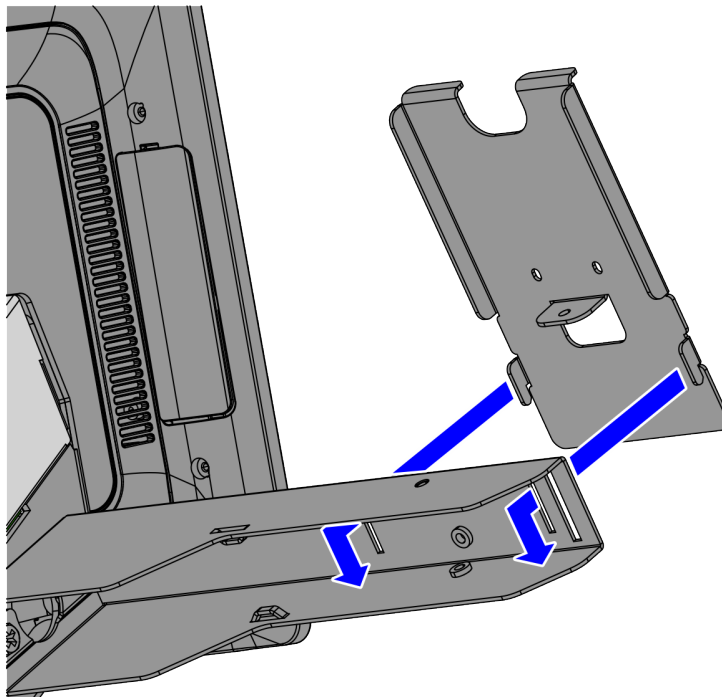
Part Number	Description
006-8628723	Screws M4 X 10
* 497-0423108	Instructions Kit (Reference Sheet)

* Items marked with an asterisk are not called out on the image.

Installation Procedures

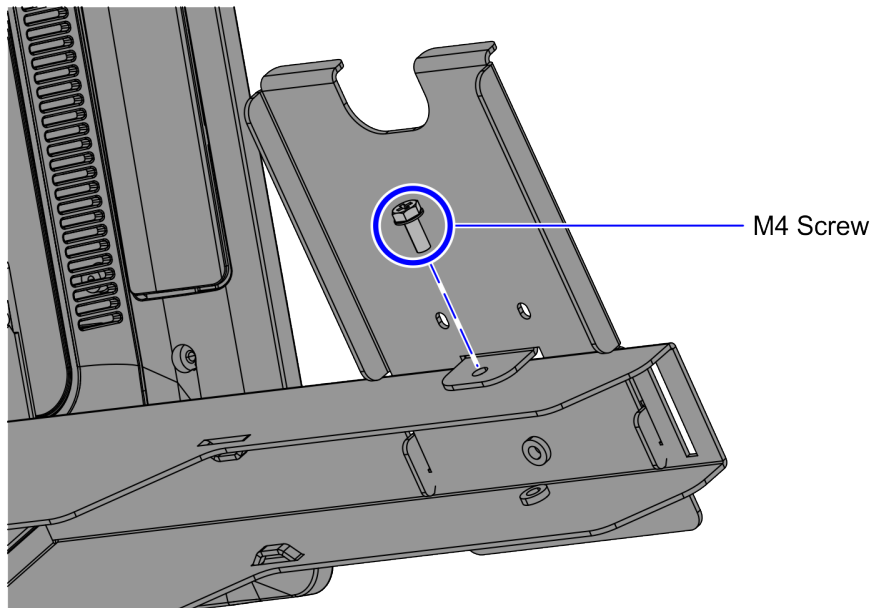
To install the PIN Pad Mount for the Verifone P400 PIN Pad, follow these steps:

1. Do the following, if necessary:
 - a. Remove the PIN Pad device. For more information, refer to [Removing the PIN Pad \(Verifone P400\)](#).
 - b. Remove the existing PIN Pad Arm Mount. For more information, refer to [Removing the PIN Pad Mount](#).
2. Mount the hooks of the PIN Pad Mount into the slots of the PIN Pad Arm, as shown in the image below.



CCP-84248

3. Secure the PIN Pad Mount to the PIN Pad Arm using an M4 pan head screw, as shown in the image below.



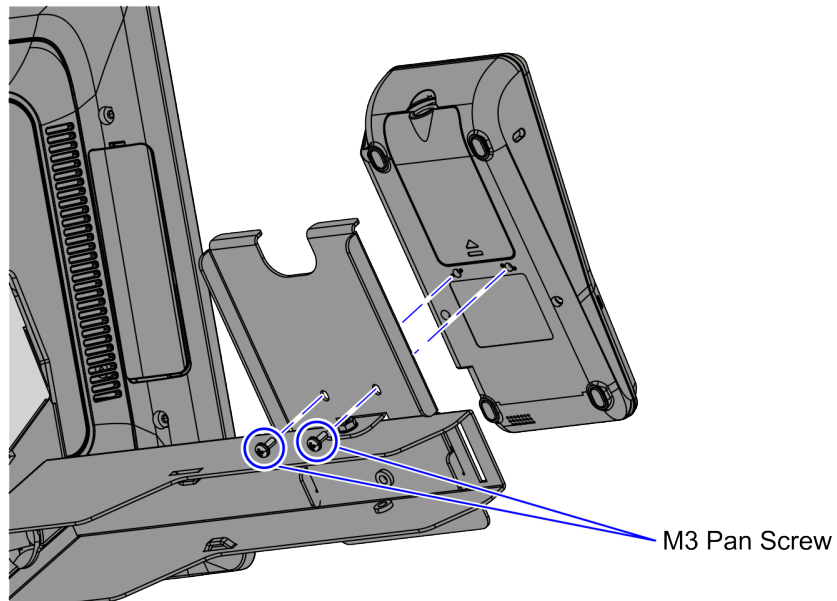
CCP-84246

4. Install the PIN Pad device. For more information, refer to [Installing the PIN Pad Device \(Verifone P400\)](#).
5. Route the PIN Pad device cable. For more information, refer to [Routing the PIN Pad cable](#).

Removing the PIN Pad (Verifone P400)

To remove the PIN Pad device, follow these steps:

1. Turn off the 7371 Full Function Self-Checkout (Fixed) software and hardware systems.
2. Disconnect the PIN Pad device cable.
3. Remove two (2) M4 pan head screws to detach the Verifone P400 PIN Pad from the PIN Pad Mount, as shown in the image below.

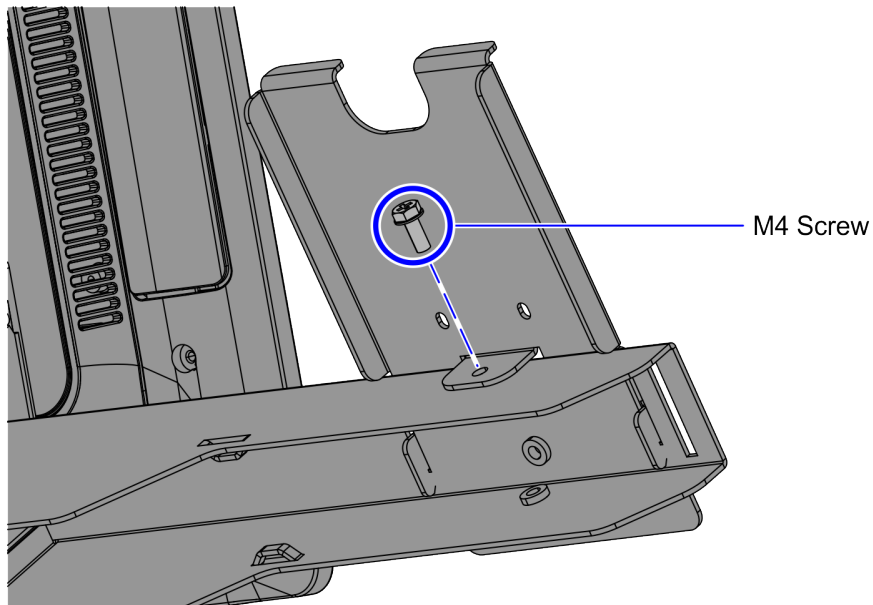


CCP-84245

Removing the PIN Pad Mount

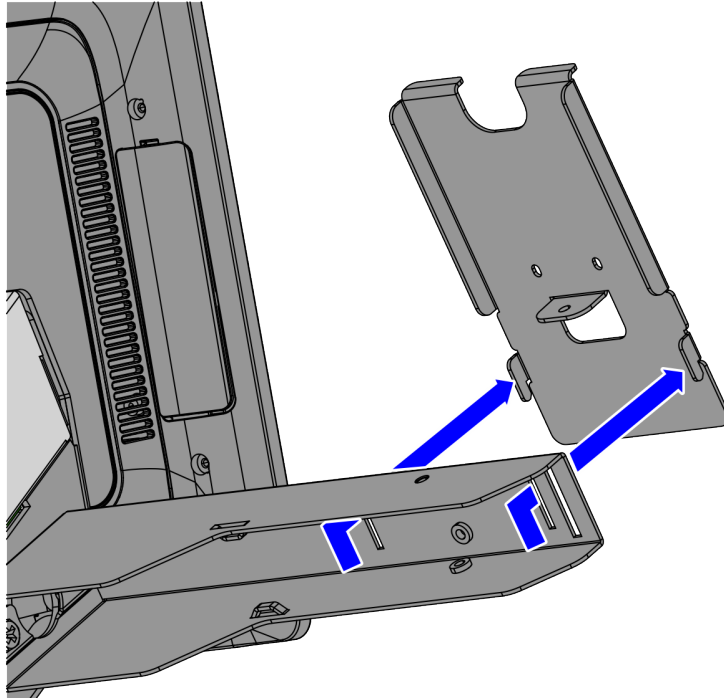
To remove the PIN Pad Mount, follow these steps:

1. Remove the PIN Pad device, if necessary. For more information, refer to [Removing the PIN Pad \(Verifone P400\)](#).
2. Remove one (1) M4 pan head screw to detach the PIN Pad Mount from the PIN Pad Arm, as shown in the image below.



CCP-84246

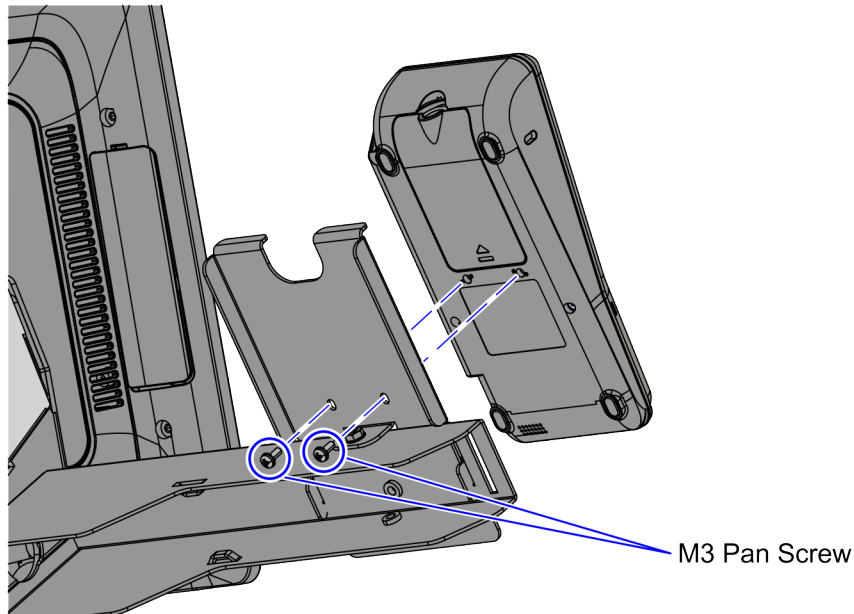
3. Slide the PIN Pad Mount upward to disengage the hooks of the PIN Pad Mount from the slots of the PIN Pad Arm, as shown in the image below.



CCP-84247

Installing the PIN Pad Device (Verifone P400)

Mount the Verifone P400 PIN Pad device onto the PIN Pad Mount and then secure it using two (2) M4 pan head screws, as shown in the image below.

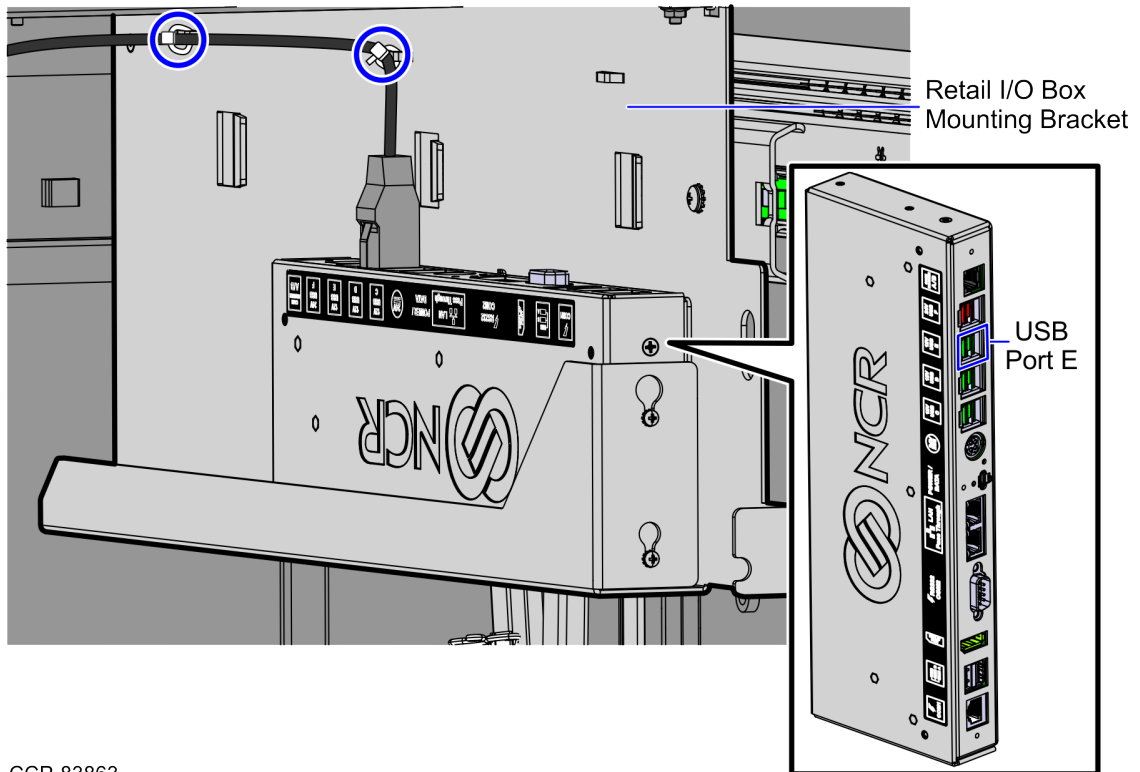


CCP-84245

Routing the PIN Pad cable

To route the PIN Pad cable, follow these steps:

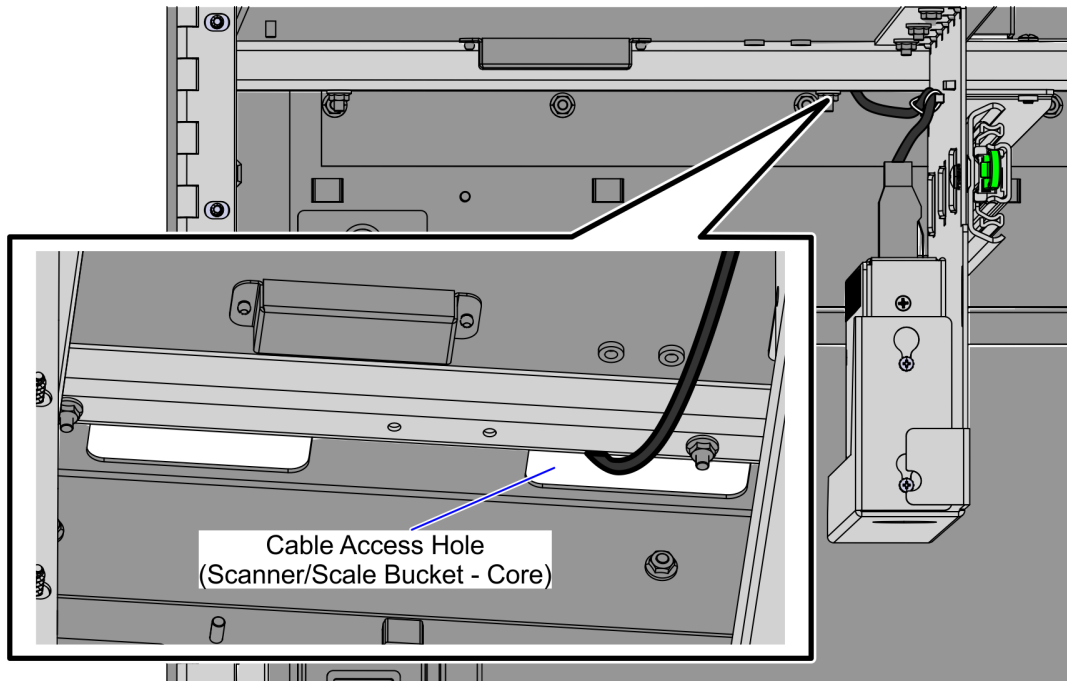
1. Access the Retail I/O Box. For more information, refer to [Accessing the Retail I/O Box](#).
2. Connect the PIN Pad device cable to the **12V powered USB port E** of the Retail I/O Box.
3. Secure the PIN Pad device cable on the Retail I/O Box Mounting Bracket using cable ties, as shown in the image below.



CCP-83863

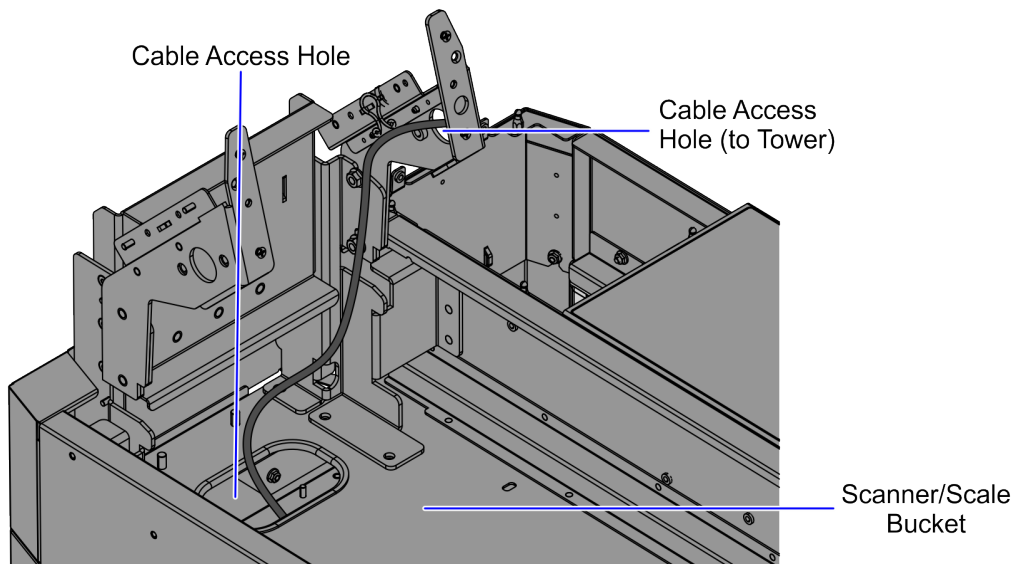
Confidential and proprietary information of NCR Voyix Corporation.
Unauthorized use, reproduction and/or distribution is strictly prohibited.

4. Route the device cable up through the cable access hole going up to the and Scanner/Scale Bucket and Tower Cabinet, as shown in the image below.



CCP-83864

5. From the cable access hole on the Scanner/Scale Bucket, route the PIN Pad device cable up to the cable access hole on the Tower Cabinet, as shown in the image below.



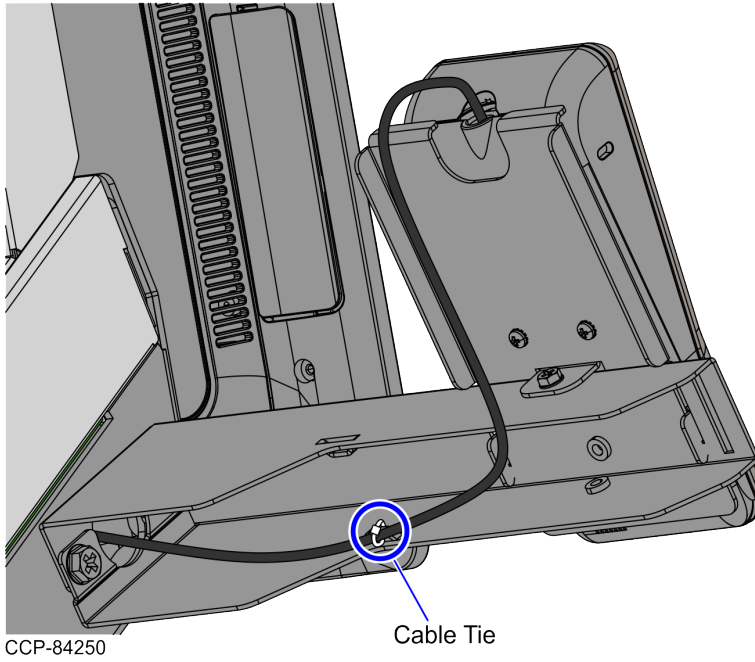
CCP-83865

6. Do the following:
 - a. Route and secure the PIN Pad device cable on the lance bridge at the back of the PIN Pad Arm using a cable tie.

Confidential and proprietary information of NCR Voyix Corporation.

Unauthorized use, reproduction and/or distribution is strictly prohibited.

- b. Connect the PIN Pad device cable to the Verifone P400 PIN Pad, as shown in the image below.



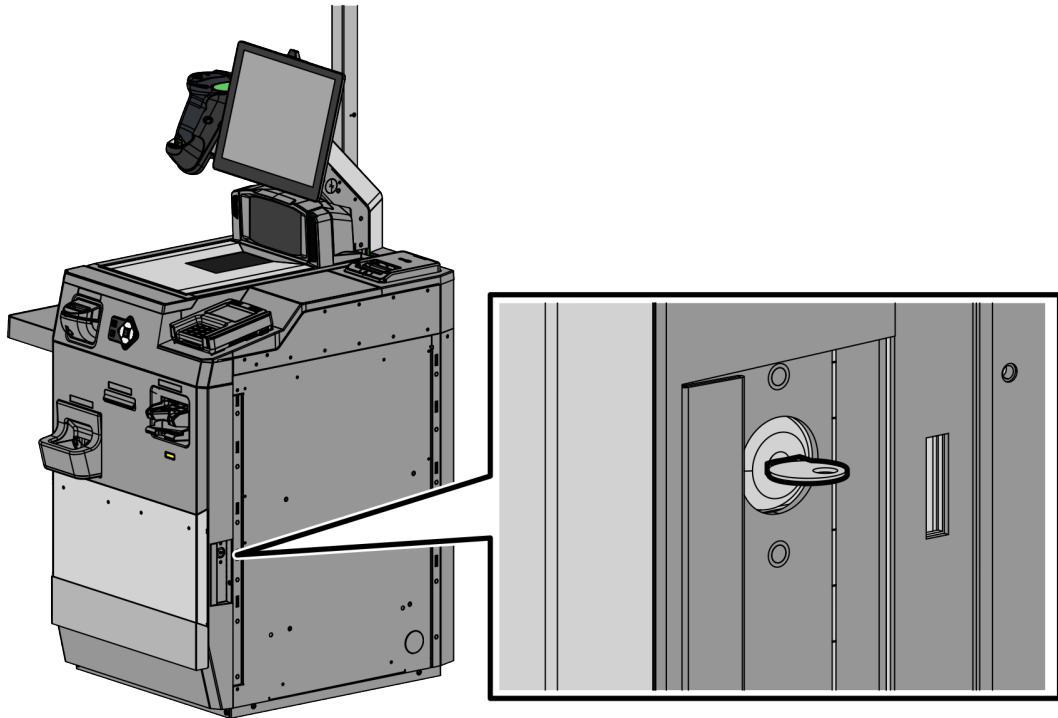
Confidential and proprietary information of NCR Voyix Corporation.
Unauthorized use, reproduction and/or distribution is strictly prohibited.

Accessing the Retail I/O Box

To access the Retail I/O Box, follow these steps:

1. Unlock and open the Cosmetic Door using a key.

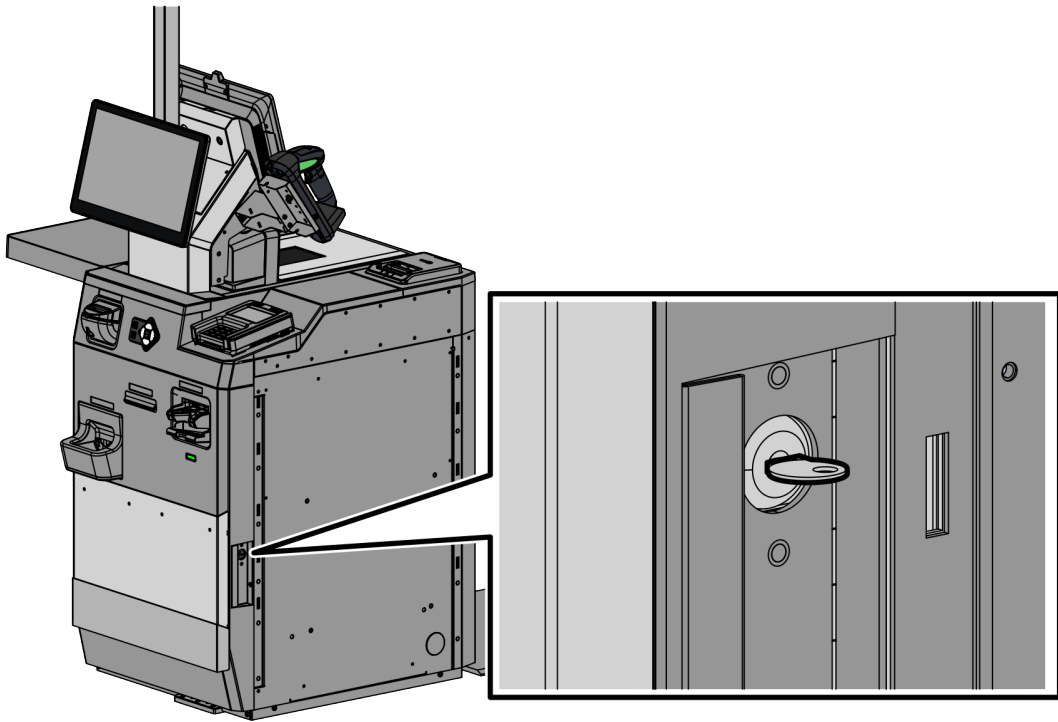
Fixed Configuration



CCP-84253

Confidential and proprietary information of NCR Voyix Corporation.
Unauthorized use, reproduction and/or distribution is strictly prohibited.

Hybrid Configuration



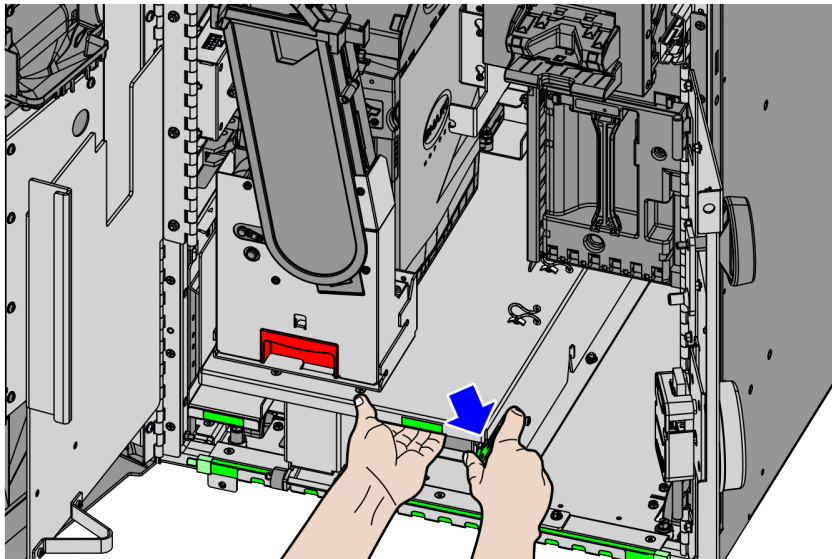
CCP-84254



Note

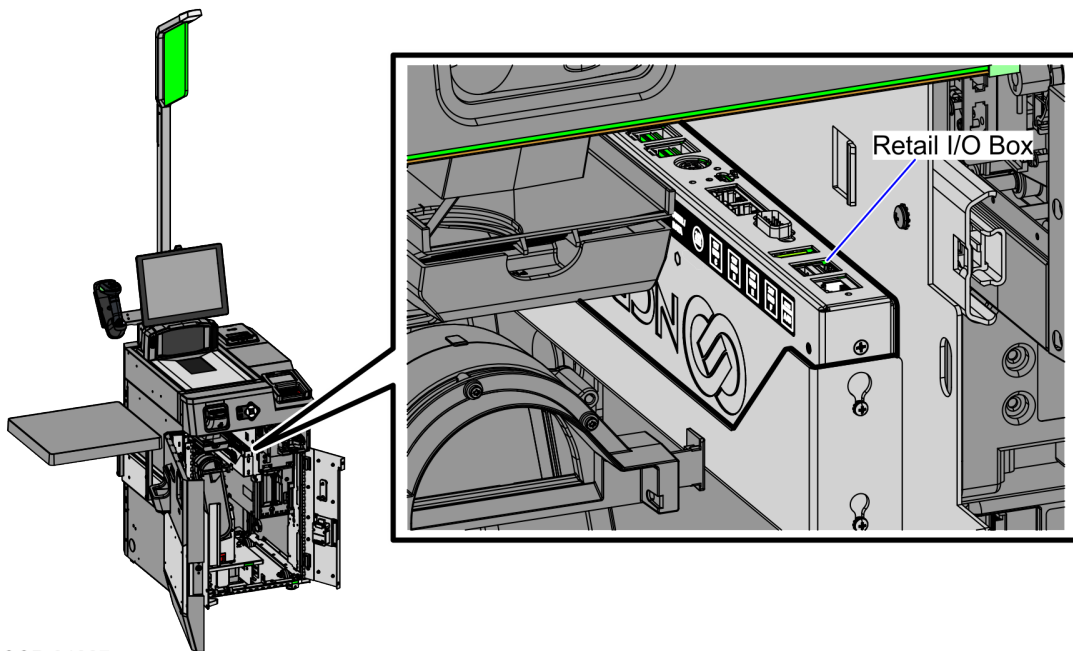
If the unit is configured with a Security Door, refer to [Opening the Security Door](#).

2. Rack out the Coin Recycler Tray.



CCP-84218

The Retail I/O Box is located on the right side of the Cabinet.



CCP-84227

Confidential and proprietary information of NCR Voyix Corporation.
Unauthorized use, reproduction and/or distribution is strictly prohibited.

Opening the Security Door

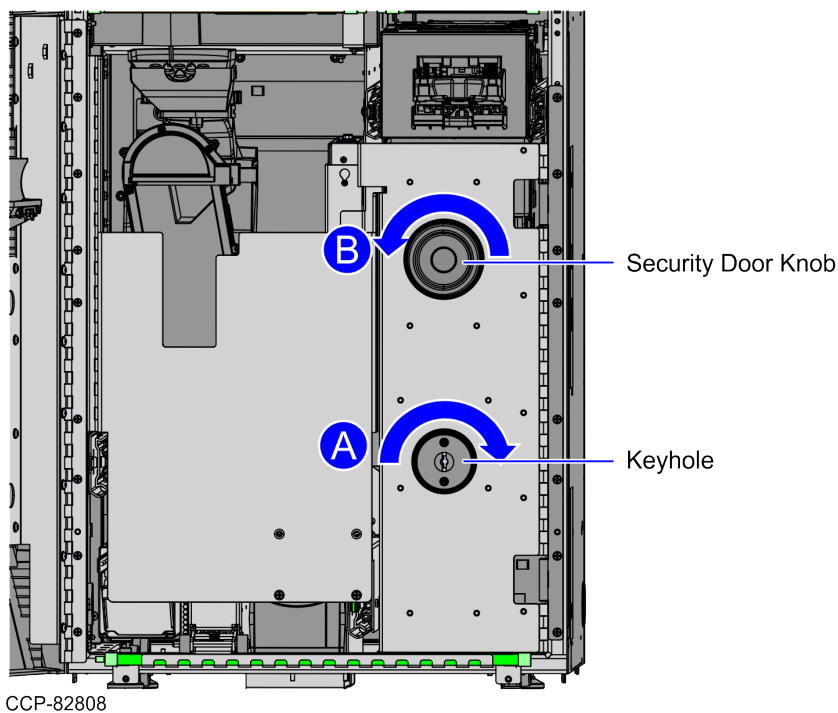
To open the Security Door, follow these steps:

Note
The Security Door is an option for the 7371 Full Function Self-Checkout (Fixed) unit.

1. Do the following:
 - a. Insert the key into the keyhole and then turn the key clockwise.

Caution
Do not force the key into the lock to avoid causing permanent damage to the Lock or Key. Do not apply inward or outward axial force to the Key once it is inserted to avoid causing the Lock from opening incorrectly.

- b. Turn the knob counterclockwise.

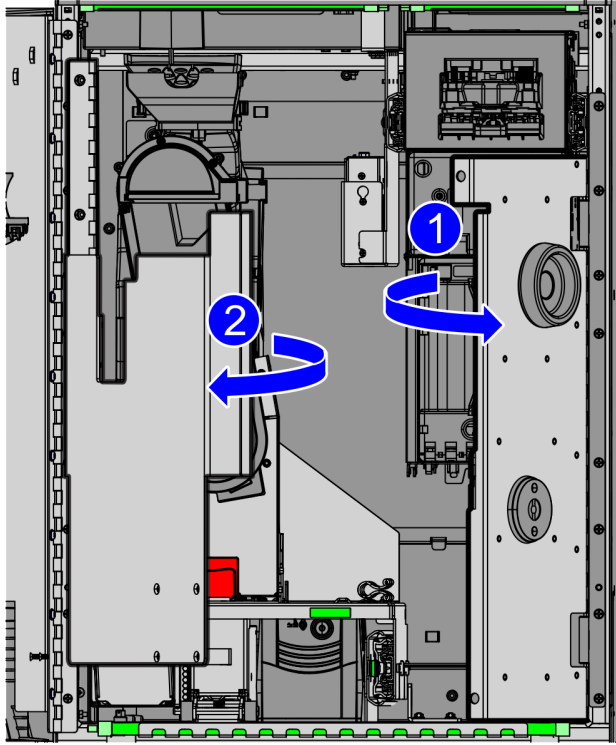


Confidential and proprietary information of NCR Voyix Corporation.
Unauthorized use, reproduction and/or distribution is strictly prohibited.

2. Open the Security Door, as show in the image below.

i Note

Open both sides of the Security Door to access the devices inside the Core Cabinet.



CCP-82809