



# Kit Instructions

PIN Pad Arm Multiclip (Ingenico Lane 3000/5000/7000)



7371-K354

Issue A

The product described in this document is a licensed product of NCR Corporation.

NCR is a registered trademark of NCR Corporation. NCR Self-Checkout Hardware is a trademark of NCR Corporation in the United States and/or other countries. Other product names mentioned in this publication may be trademarks or registered trademarks of their respective companies and are hereby acknowledged.

The terms HDMI and HDMI High-Definition Multimedia Interface, and the HDMI Logo are trademarks or registered trademarks of HDMI Licensing LLC in the United States and other countries.

Where creation of derivative works, modifications or copies of this NCR copyrighted documentation is permitted under the terms and conditions of an agreement you have with NCR, NCR's copyright notice must be included.

It is the policy of NCR Corporation (NCR) to improve products as new technology, components, software, and firmware become available. NCR, therefore, reserves the right to change specifications without prior notice.

All features, functions, and operations described herein may not be marketed by NCR in all parts of the world. In some instances, photographs are of equipment prototypes. Therefore, before using this document, consult with your NCR representative or NCR office for information that is applicable and current.

Copyright © 2023

By NCR Voyix Corporation  
Global Headquarters  
864 Spring St. NW  
Atlanta, GA 30308  
United States  
All Rights Reserved

Confidential and proprietary information of NCR Voyix Corporation.  
Unauthorized use, reproduction and/or distribution is strictly prohibited.

# Revision Record

---

Issue	Date	Remarks
A	Oct 2023	First issue.

Confidential and proprietary information of NCR Voyix Corporation.  
Unauthorized use, reproduction and/or distribution is strictly prohibited.

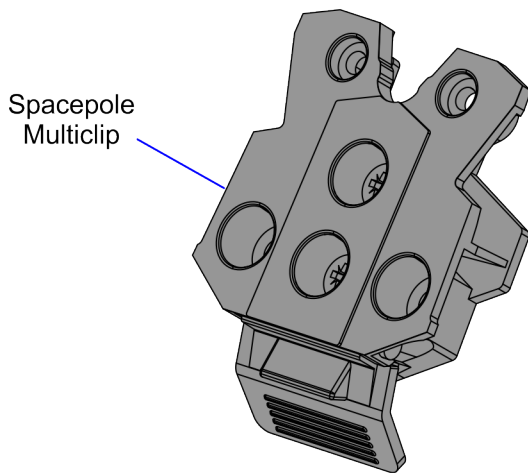
# 7371-K354 PIN Pad Arm Multiclip (Ingenico Lane 3000/5000/7000)

This publication provides procedures for installing a PIN Pad Multiclip for an Ingenico Lane 3000/5000/7000 on the PIN Pad Arm of either of the following NCR Self-Checkout Hardware (7371) configurations:

- Full Function Self-Checkout units
- Full Function Self-Checkout (Hybrid) units

**Note**  
The Ingenico Lane 3000/5000/7000 device is supplied by the customer.

## Kit Contents



CCP-83828

Part Number	Description
497-0534982	7371-K354 Kit, PIN Pad Arm Multiclip (Lane 3000/5000/7000)
497-0530613	Spacepole Multiclip
* 497-0423108	Instructions Kit (Reference Sheet)

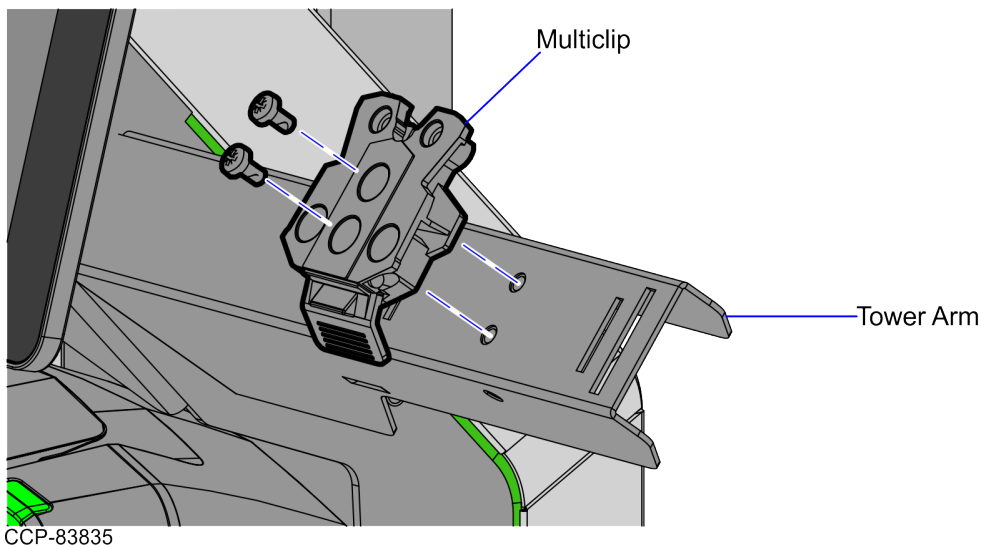
\* Items marked with an asterisk are not called out on the image.

Confidential and proprietary information of NCR Voyix Corporation.  
Unauthorized use, reproduction and/or distribution is strictly prohibited.

# Installation Procedures

To install the PIN Pad Arm Multiclip, follow these steps:

1. Do the following, if necessary:
  - a. Remove the PIN Pad device. For more information, refer to [Removing the PIN Pad device \(Ingenico Lane 3000/5000/7000\)](#).
  - b. Remove the existing PIN Pad Arm Multiclip. For more information, refer to [Removing the PIN Pad Arm Multiclip](#).
2. Attach the PIN Pad Arm Multiclip to the PIN Pad Arm using two (2) M4 pan head screws, as shown in the image below.



3. Install the PIN Pad device. For more information, refer to [Installing the PIN Pad device \(Ingenico Lane 3000/5000/7000\)](#).
4. Route the PIN Pad device cable. For more information, refer to [Routing the PIN Pad cable](#).

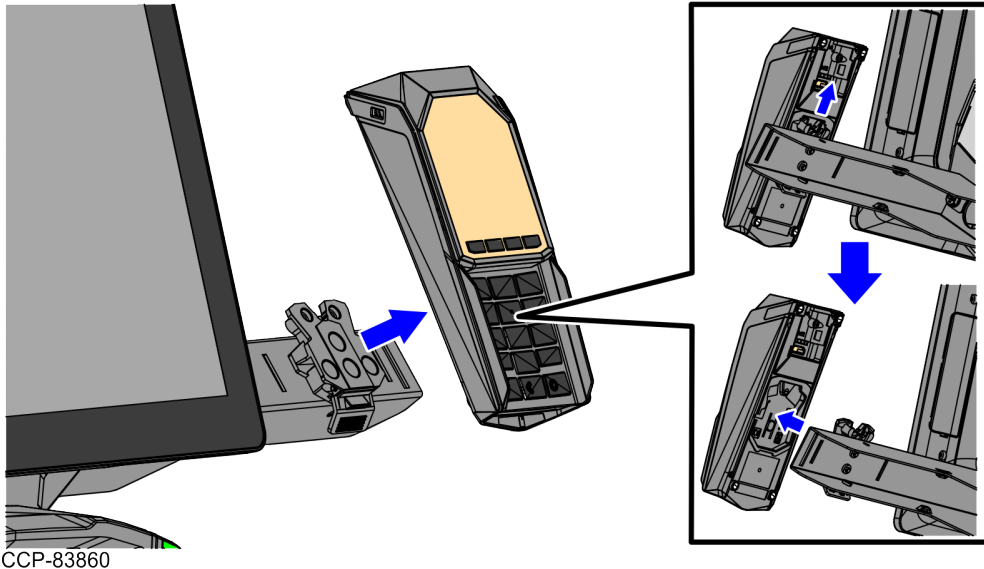
Confidential and proprietary information of NCR Voyix Corporation.

Unauthorized use, reproduction and/or distribution is strictly prohibited.

# Removing the PIN Pad device (Ingenico Lane 3000/5000/7000)

To remove the PIN Pad device, follow these steps:

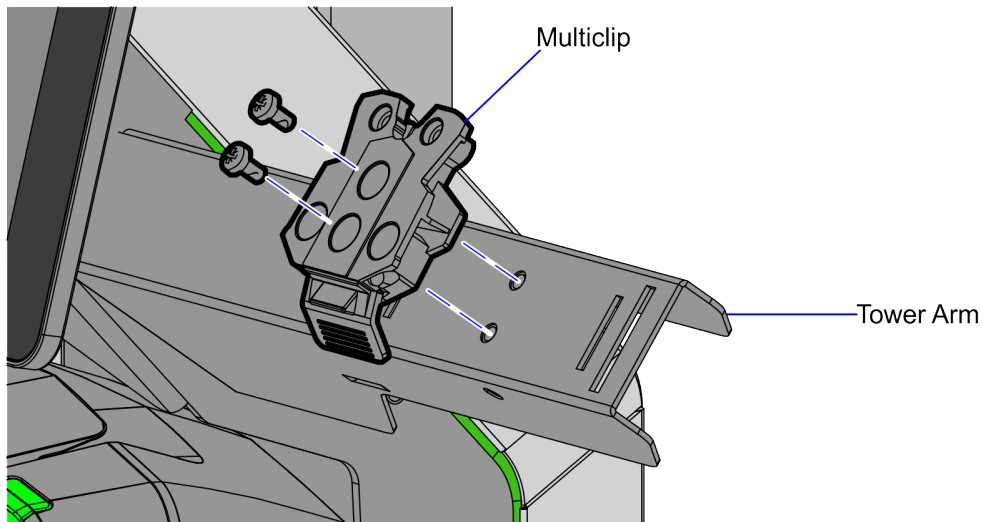
1. Turn off the 7371 Full Function Self-Checkout (Fixed) software and hardware systems.
2. Disconnect the PIN Pad cable.
3. Detach the Ingenico Lane 3000/5000/7000 PIN Pad from the Multiclip.



## Removing the PIN Pad Arm Multiclip

To remove the PIN Pad Arm Multiclip, follow these steps:

1. Remove the PIN Pad device, if necessary. For more information, refer to [Removing the PIN Pad device \(Ingenico Lane 3000/5000/7000\)](#).
2. Remove two (2) M4 pan head screws to detach the Multiclip from the PIN Pad Arm, as shown in the image below.



CCP-83835

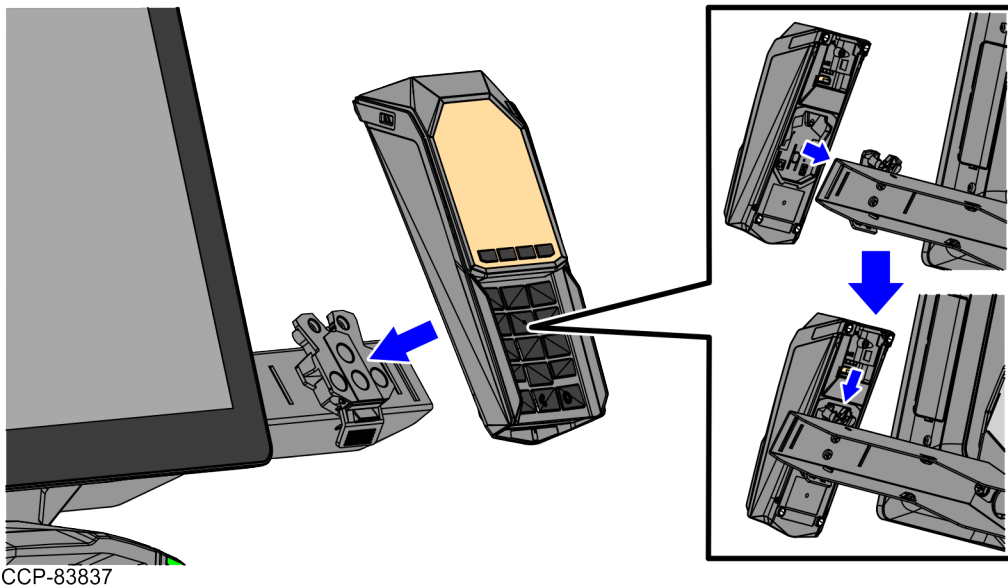
# Installing the PIN Pad device (Ingenico Lane 3000/5000/7000)

To install the PIN Pad device, attach the PIN Pad device to the Multiclip, as shown in the image below.



## Note

The Ingenico Lane 3000/5000/7000 PIN Pad device is not included in the 7371-K354 PIN Pad Arm Multiclip (Ingenico Lane 3000/5000/7000) Kit. For more information, contact an NCR Customer Service Representative.



Confidential and proprietary information of NCR Voyix Corporation.

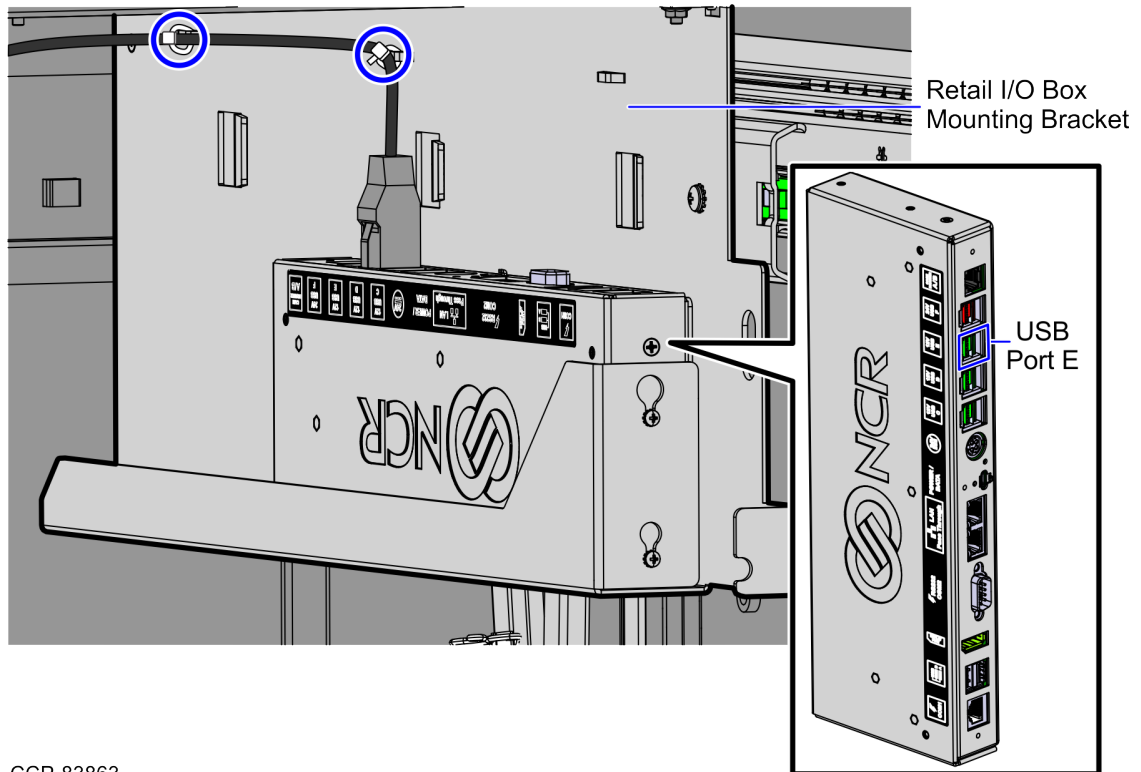
Unauthorized use, reproduction and/or distribution is strictly prohibited.



## Routing the PIN Pad cable

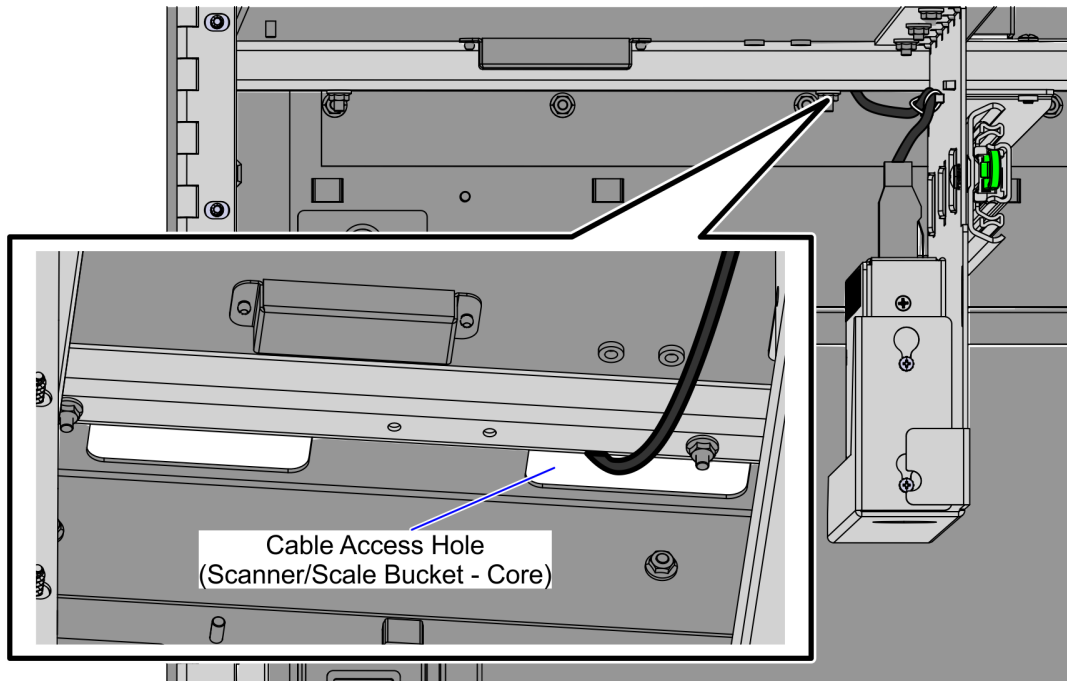
To route the PIN Pad cable, follow these steps:

1. Access the Retail I/O Box. For more information, refer to [Accessing the Retail I/O Box](#).
2. Connect the PIN Pad device cable to the **12V powered USB port E** of the Retail I/O Box.
3. Secure the PIN Pad device cable on the Retail I/O Box Mounting Bracket using cable ties, as shown in the image below.



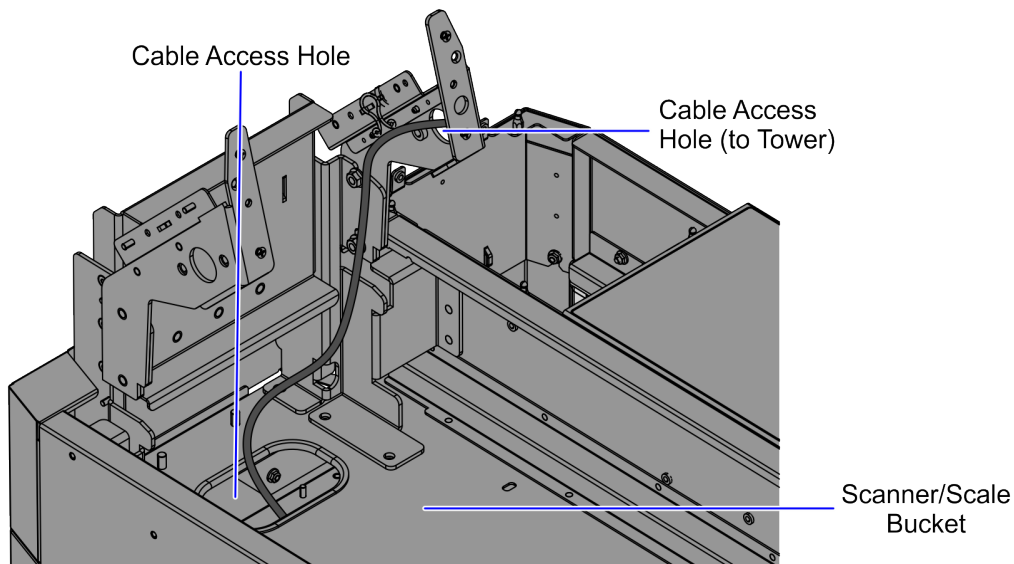
CCP-83863

4. Route the device cable up through the cable access hole going up to the and Scanner/Scale Bucket and Tower Cabinet, as shown in the image below.



CCP-83864

5. From the cable access hole on the Scanner/Scale Bucket, route the PIN Pad device cable up to the cable access hole on the Tower Cabinet, as shown in the image below.



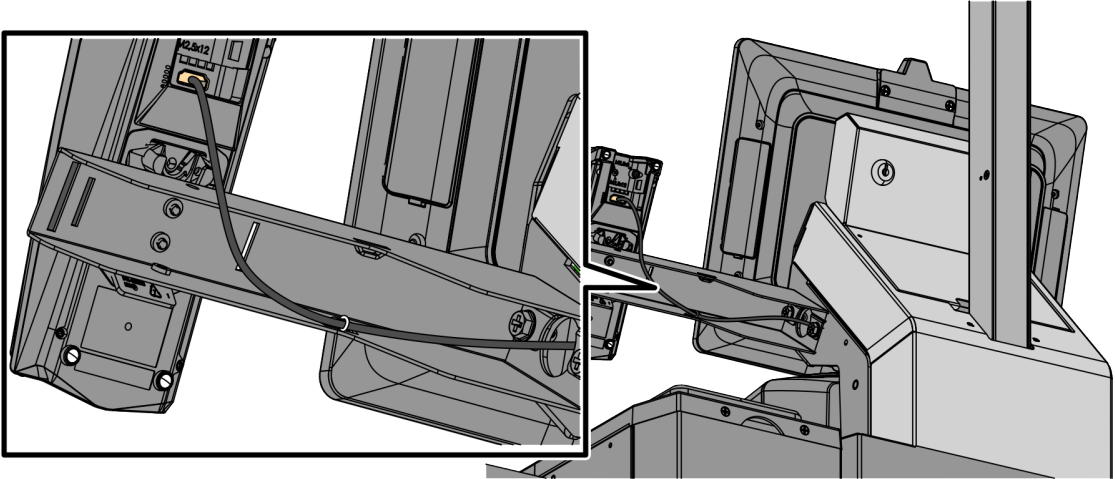
CCP-83865

6. Route and secure the PIN Pad device cable on the lance bridge at the back of the PIN Pad Arm.
7. Connect the PIN Pad device cable to the Ingenico Lane 3000/5000/7000 PIN

Confidential and proprietary information of NCR Voyix Corporation.

Unauthorized use, reproduction and/or distribution is strictly prohibited.

Pad, as shown in the image below.



CCP-83836

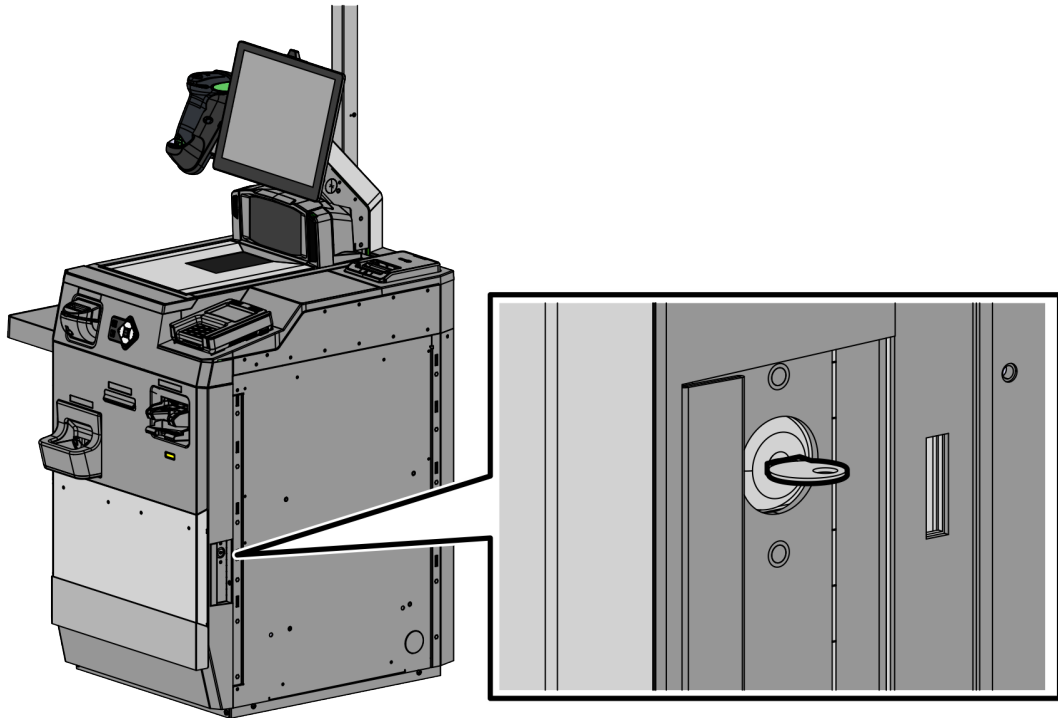
Confidential and proprietary information of NCR Voyix Corporation.  
Unauthorized use, reproduction and/or distribution is strictly prohibited.

# Accessing the Retail I/O Box

To access the Retail I/O Box, follow these steps:

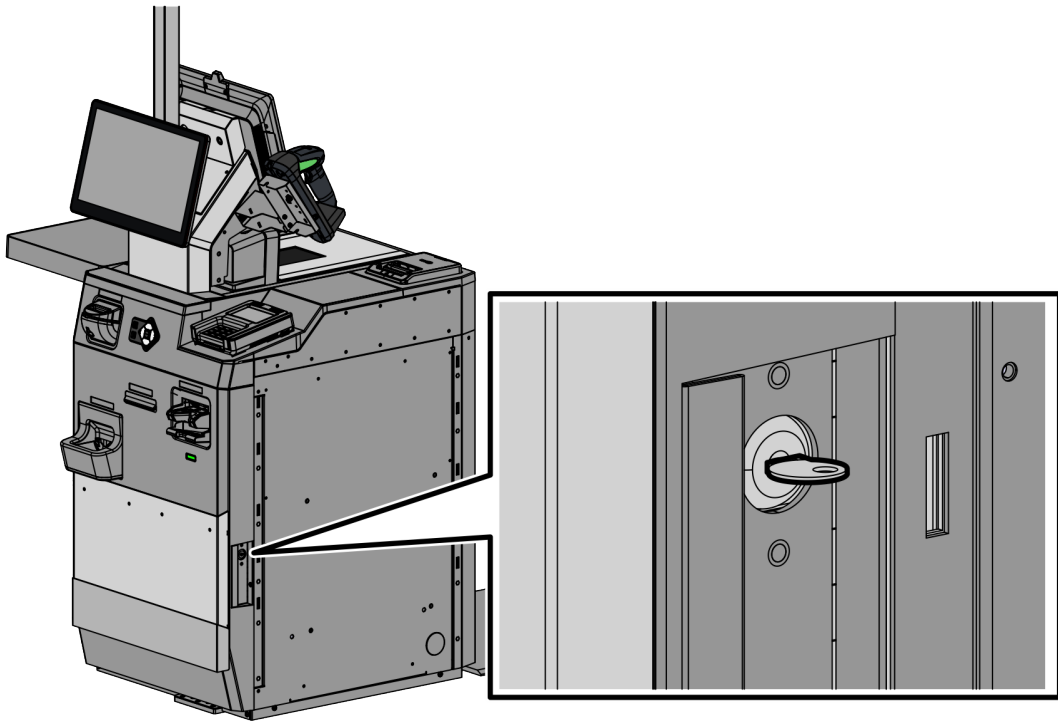
1. Unlock and open the Cosmetic Door using a key.

## Fixed Configuration



CCP-84253

## Hybrid Configuration



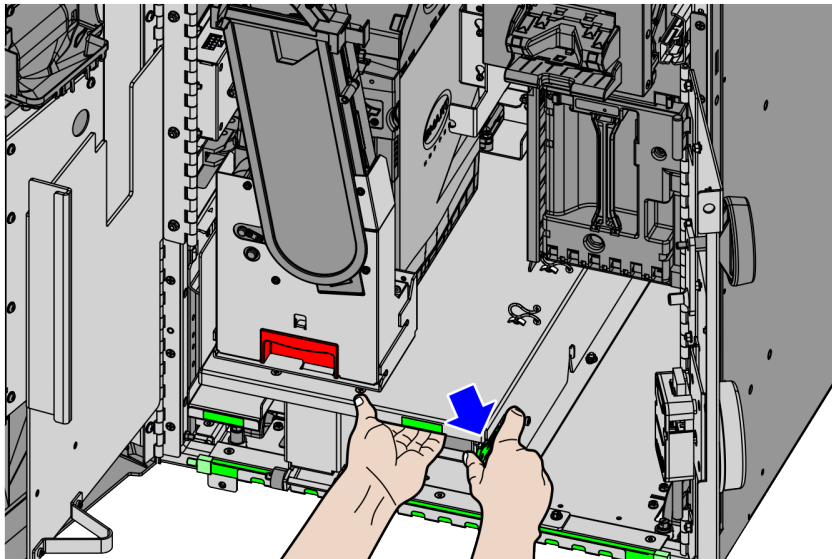
CCP-84254



### Note

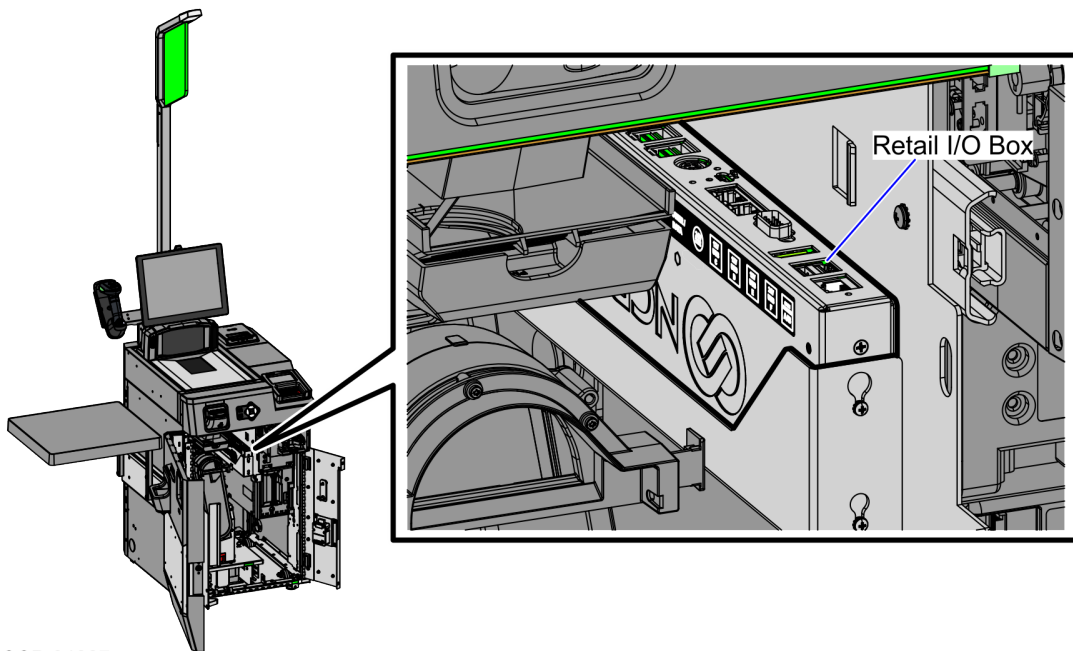
If the unit is configured with a Security Door, refer to [Opening the Security Door](#).

2. Rack out the Coin Recycler Tray.



CCP-84218

The Retail I/O Box is located on the right side of the Cabinet.



CCP-84227

Confidential and proprietary information of NCR Voyix Corporation.  
Unauthorized use, reproduction and/or distribution is strictly prohibited.

## Opening the Security Door

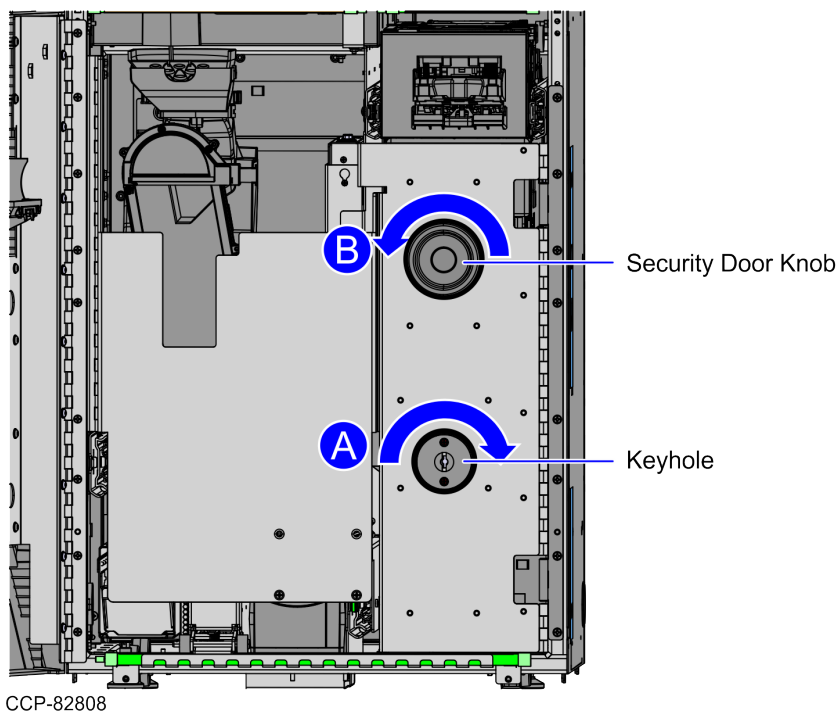
To open the Security Door, follow these steps:

**Note**  
The Security Door is an option for the 7371 Full Function Self-Checkout (Fixed) unit.

1. Do the following:
  - a. Insert the key into the keyhole and then turn the key clockwise.

**Caution**  
Do not force the key into the lock to avoid causing permanent damage to the Lock or Key. Do not apply inward or outward axial force to the Key once it is inserted to avoid causing the Lock from opening incorrectly.

- b. Turn the knob counterclockwise.

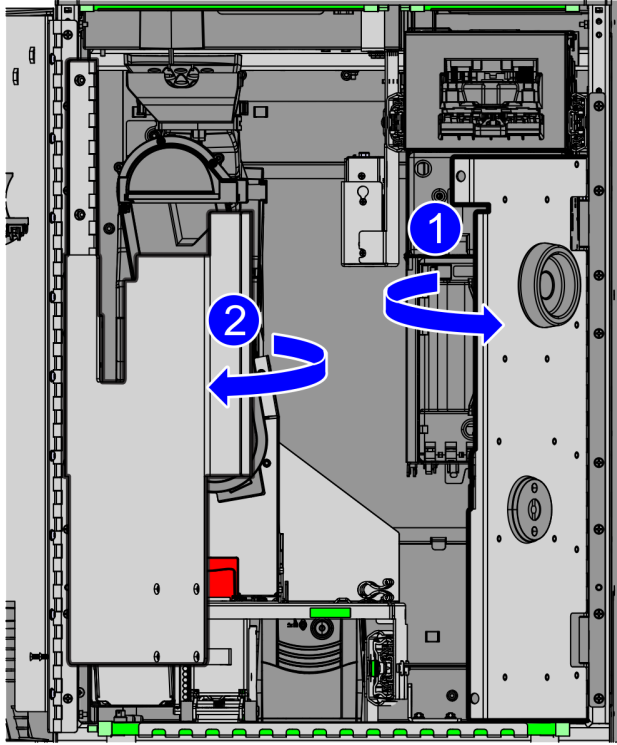


Confidential and proprietary information of NCR Voyix Corporation.  
Unauthorized use, reproduction and/or distribution is strictly prohibited.

2. Open the Security Door, as show in the image below.

**i Note**

Open both sides of the Security Door to access the devices inside the Core Cabinet.



CCP-82809