



# Kit Instructions

Front Mount Multiclip (Ingenico Lane 3000/5000/7000)



7371-K352

Issue A

The product described in this document is a licensed product of NCR Corporation.

NCR is a registered trademark of NCR Corporation. NCR Self-Checkout Hardware is a trademark of NCR Corporation in the United States and/or other countries. Other product names mentioned in this publication may be trademarks or registered trademarks of their respective companies and are hereby acknowledged.

The terms HDMI and HDMI High-Definition Multimedia Interface, and the HDMI Logo are trademarks or registered trademarks of HDMI Licensing LLC in the United States and other countries.

Where creation of derivative works, modifications or copies of this NCR copyrighted documentation is permitted under the terms and conditions of an agreement you have with NCR, NCR's copyright notice must be included.

It is the policy of NCR Corporation (NCR) to improve products as new technology, components, software, and firmware become available. NCR, therefore, reserves the right to change specifications without prior notice.

All features, functions, and operations described herein may not be marketed by NCR in all parts of the world. In some instances, photographs are of equipment prototypes. Therefore, before using this document, consult with your NCR representative or NCR office for information that is applicable and current.

Copyright © 2023

By NCR Voyix Corporation  
Global Headquarters  
864 Spring St. NW  
Atlanta, GA 30308  
United States  
All Rights Reserved

Confidential and proprietary information of NCR Voyix Corporation.  
Unauthorized use, reproduction and/or distribution is strictly prohibited.

# Revision Record

---

Issue	Date	Remarks
A	Oct 2023	First issue.

Confidential and proprietary information of NCR Voyix Corporation.  
Unauthorized use, reproduction and/or distribution is strictly prohibited.

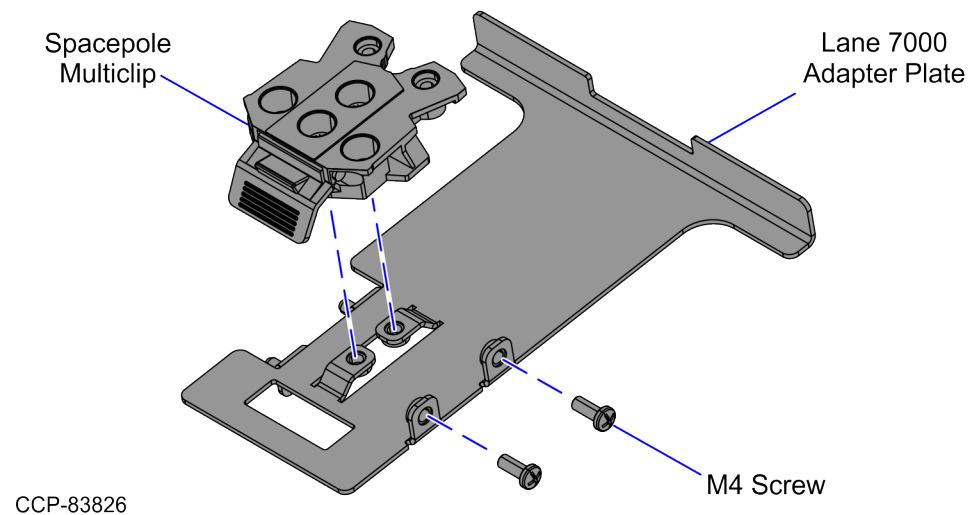
# 7371-K352 Front Mount Multiclip (Ingenico Lane 3000/5000/7000)

This publication provides procedures for installing a Front Mount Multiclip for an Ingenico Lane 3000/5000/7000 PIN Pad device on either of the following NCR Self-Checkout Hardware (7371) configurations:

- Full Function Self-Checkout units
- Full Function Self-Checkout (Hybrid) units

**i Note**  
The Ingenico Lane 3000/5000/7000 device is supplied by the customer.

## Kit Contents



Part Number	Description
497-0534980	7371-K352 Kit, Front Mount Multiclip (Lane 3000/5000/7000)
497-0532678	Lane 7000 Adapter Plate
006-8608194	Screw,M4X10,Machine,PHIL,PAN,STL,BLACK (2 pcs)
497-0530613	Spacepole Multiclip
* 497-0423108	Instructions Kit (Reference Sheet)

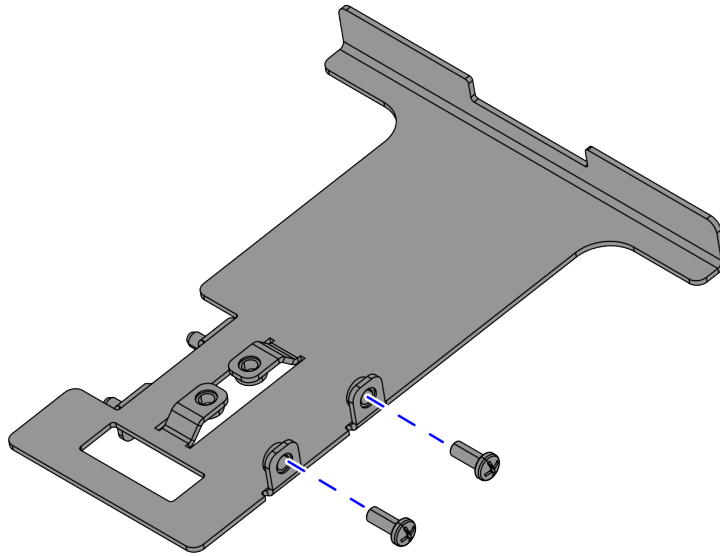
\* Items marked with an asterisk are not called out on the image.

Confidential and proprietary information of NCR Voyix Corporation.  
Unauthorized use, reproduction and/or distribution is strictly prohibited.

# Installation Procedures

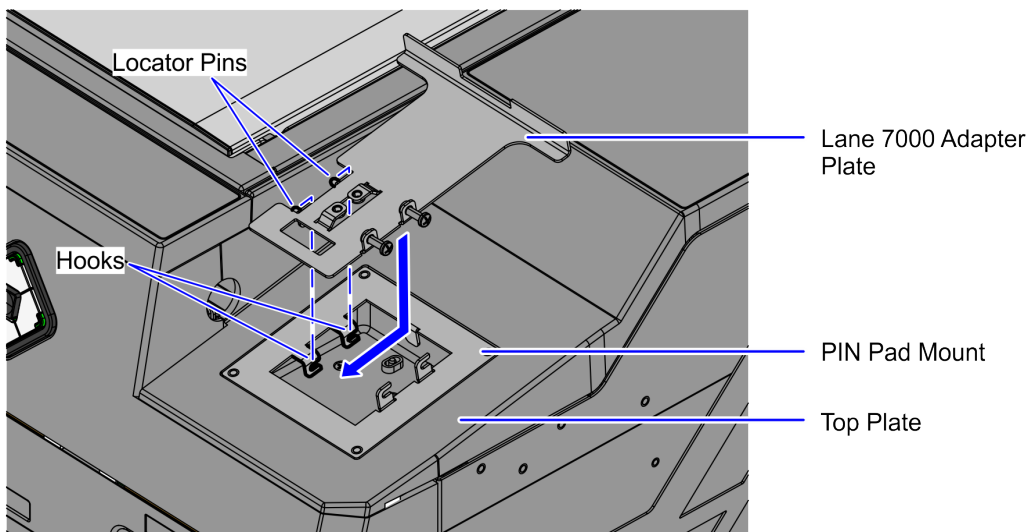
To install the Front Mount Multiclip, follow these steps:

1. Do the following, if necessary:
  - a. Remove the PIN Pad device. For more information, refer to [Removing the PIN Pad device \(Ingenico Lane 3000/5000/7000\)](#).
  - b. Remove the existing Front Mount Multiclip. For more information, refer to [Removing the Front Mount Multiclip](#).
2. Install the Adapter Plate to the PIN Pad mount by doing the following:
  - a. Partially insert the two (2) M4 screws into the screw slots of the mounting plate.



CCP-84264

- b. Slide the locator pins of the Adapter Plate into the bottom hooks of the PIN Pad Mount, as shown in the image below.

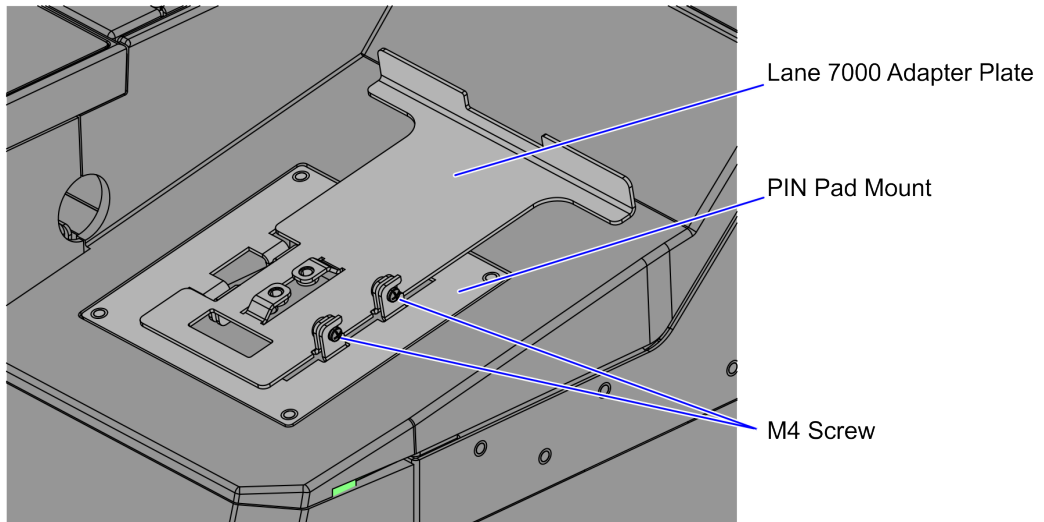


CCP-83845

Confidential and proprietary information of NCR Voyix Corporation.

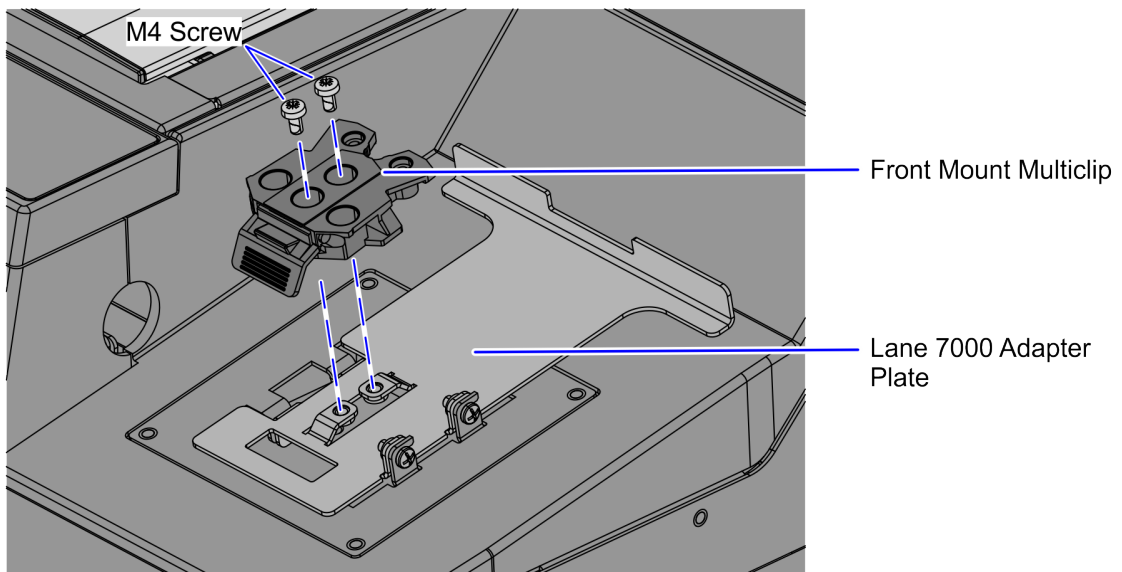
Unauthorized use, reproduction and/or distribution is strictly prohibited.

- c. Secure the Adapter Plate to the PIN Pad Mount by tightening the two (2) M4 pan head screws, as shown in the image below.



CCP-83843

3. Align the Front Mount Multiclip onto the Adapter Plate and then secure it using two (2) M4 pan head screws, as shown in the image below.



CCP-83842

- 4.
5. Install the PIN Pad device. For more information, refer to [Installing the PIN Pad device \(Ingenico Lane 3000/5000/7000\)](#).
6. Route the PIN Pad device cable. For more information, refer to [Routing the PIN Pad cable](#).

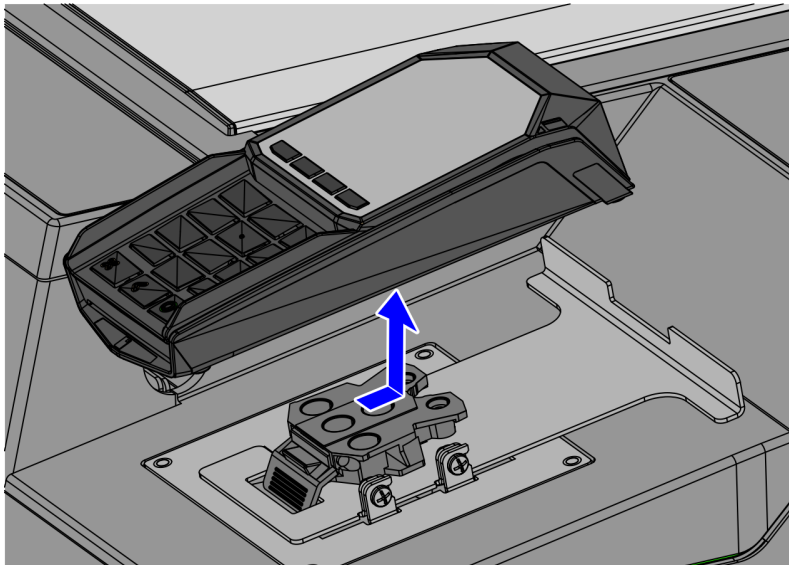
Confidential and proprietary information of NCR Voyix Corporation.

Unauthorized use, reproduction and/or distribution is strictly prohibited.

## Removing the PIN Pad device (Ingenico Lane 3000/5000/7000)

To remove the PIN Pad device, follow these steps:

1. Disconnect the PIN Pad device cable.
2. Detach the PIN Pad device from the Front Mount Multiclip, as shown in the image below.

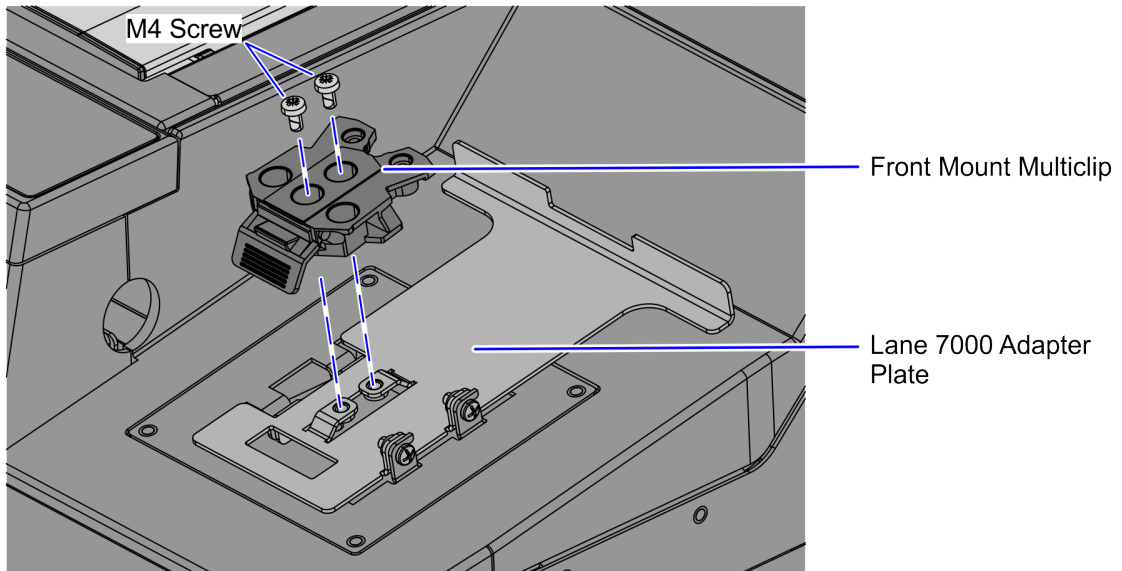


CCP-83877

# Removing the Front Mount Multiclip

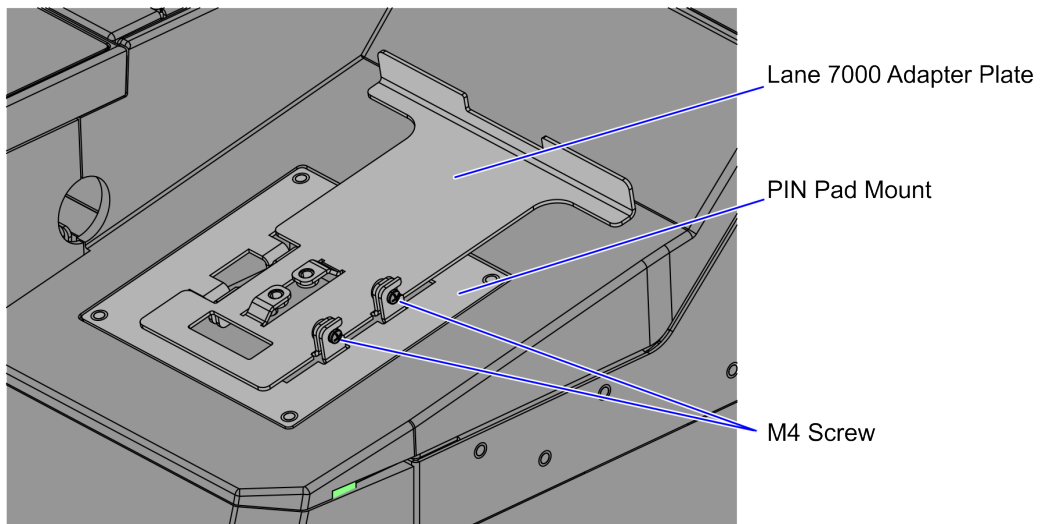
To remove the Front Mount Multiclip, follow these steps:

1. Remove two (2) M4 pan head screws to detach the Front Mount Multiclip from the Adapter Plate, as shown in the image below.



CCP-83842

2. Remove the Adapter Plate by doing the following:
  - a. Remove two (2) M4 pan head screws to detach the Adapter Plate from the PIN Pad Mount, as shown in the image below.

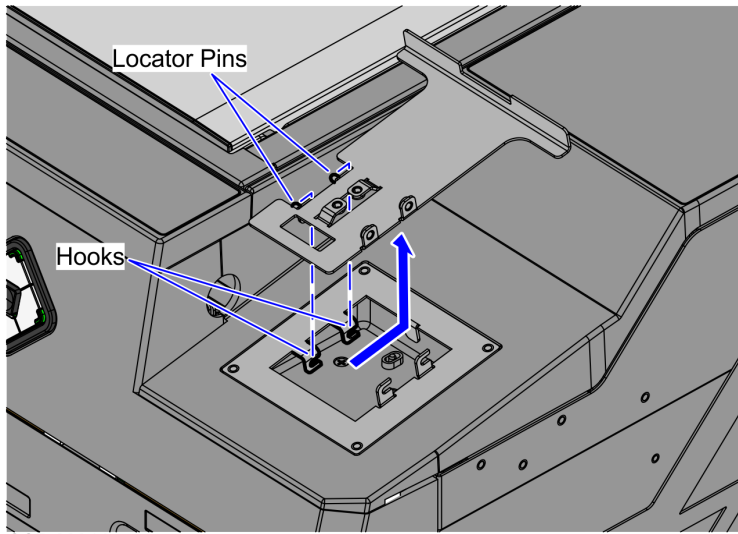


CCP-83843

Confidential and proprietary information of NCR Voyix Corporation.  
Unauthorized use, reproduction and/or distribution is strictly prohibited.



- b. Slide back the Adapter Plate to disengage the locator pins from the bottom hooks of the PIN Pad Mount, as shown in the image below.



Confidential and proprietary information of NCR Voyix Corporation.  
Unauthorized use, reproduction and/or distribution is strictly prohibited.

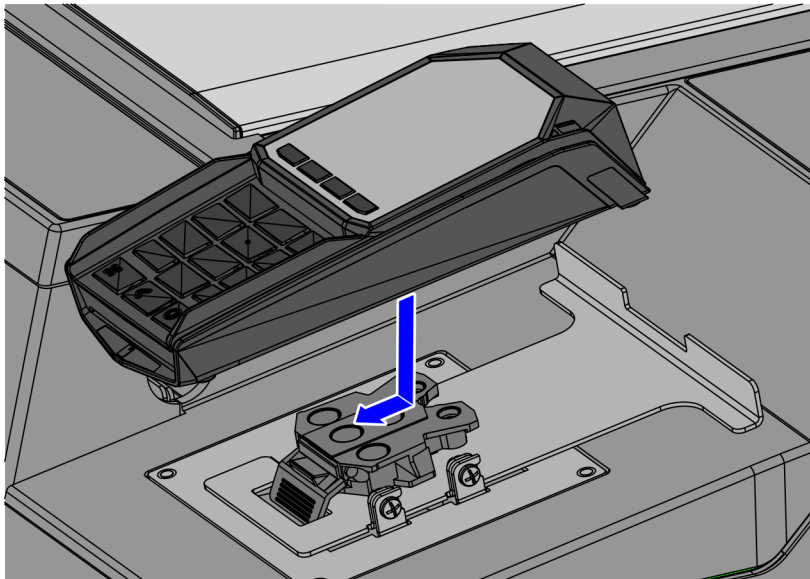
## Installing the PIN Pad device (Ingenico Lane 3000/5000/7000)

To install the PIN Pad device, attach the PIN Pad device to the Front Mount Multiclip, as shown in the image below.



### Note

The Ingenico Lane 3000/5000/7000 PIN Pad device is not included in the 7371-K352 Front Mount Multiclip (Ingenico Lane 3000/5000/7000) Kit. For more information, contact an NCR Customer Service Representative.

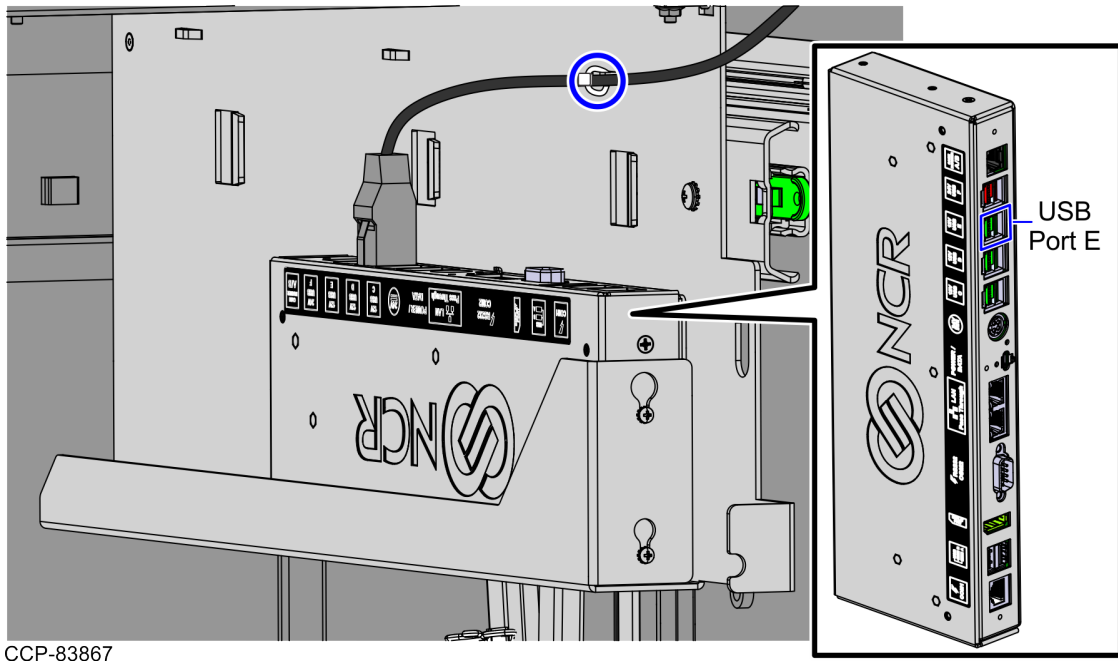


CCP-83846

## Routing the PIN Pad cable

To route the PIN Pad cable, follow these steps:

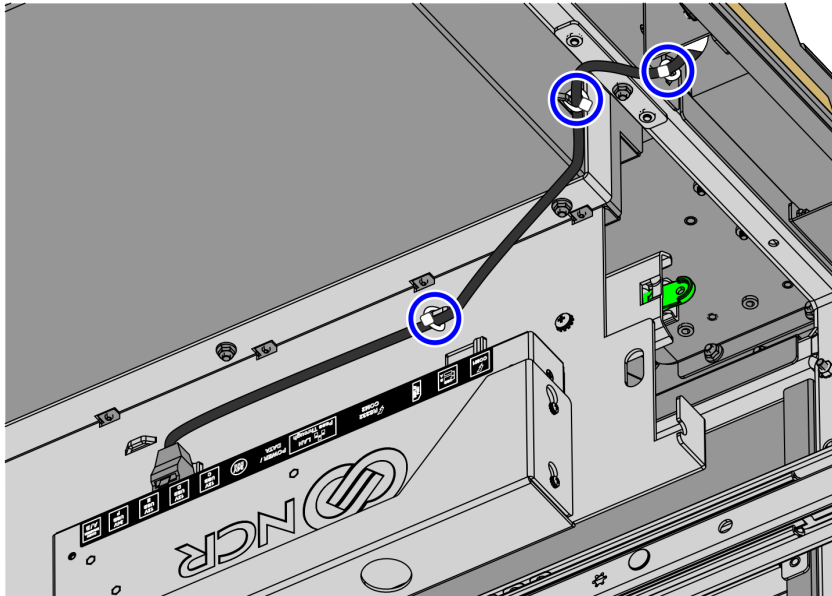
1. Access the Retail I/O Box. For more information, refer to [Accessing the Retail I/O Box](#).
2. Connect the PIN Pad device cable to the **12V powered USB port E** of the Retail I/O Box.
3. Secure the PIN Pad device cable on the Retail I/O Box Mounting Bracket using a cable tie, as shown in the image below.



CCP-83867

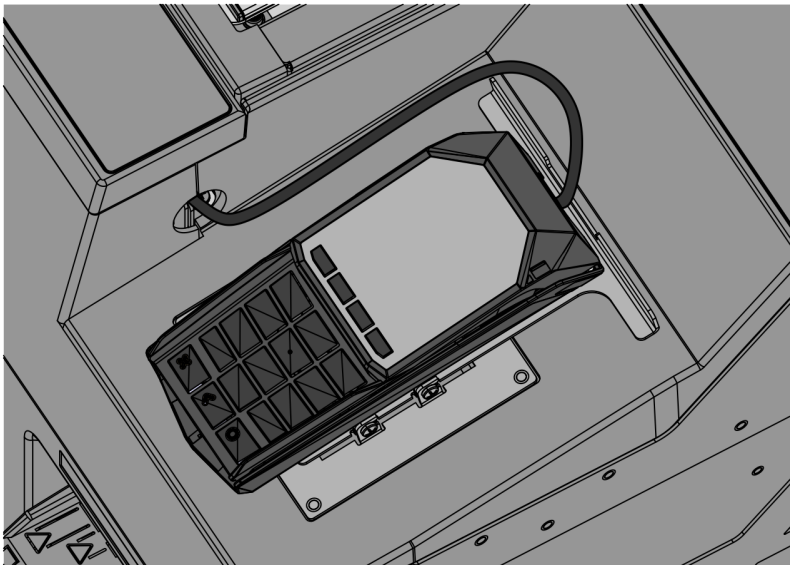
Confidential and proprietary information of NCR Voyix Corporation.  
Unauthorized use, reproduction and/or distribution is strictly prohibited.

4. Do the following:
  - a. Secure the PIN Pad device cable on the lance bridges of the Core (Cabinet).
  - b. Route the cable up and through the cable access hole on the Top Plate, as shown in the image below.



CCP-83870

5. Connect the PIN Pad device cable to the Ingenico Lane 3000/5000/7000 PIN Pad, as shown in the image below.



CCP-83847

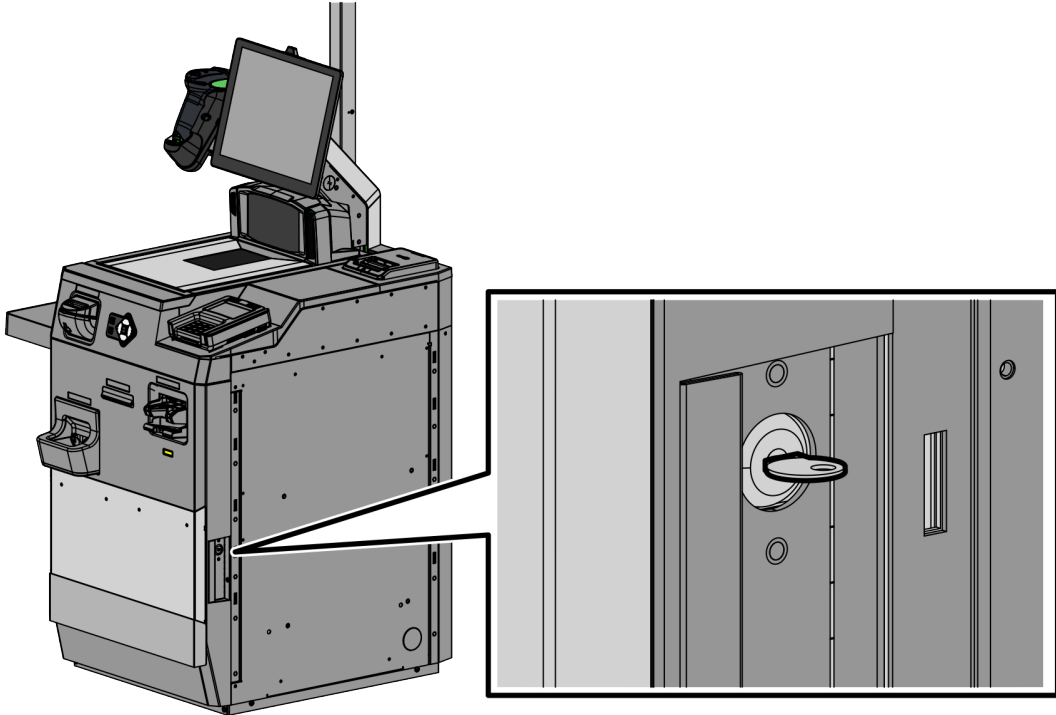
Confidential and proprietary information of NCR Voyix Corporation.  
Unauthorized use, reproduction and/or distribution is strictly prohibited.

# Accessing the Retail I/O Box

To access the Retail I/O Box, follow these steps:

1. Unlock and open the Cosmetic Door using a key.

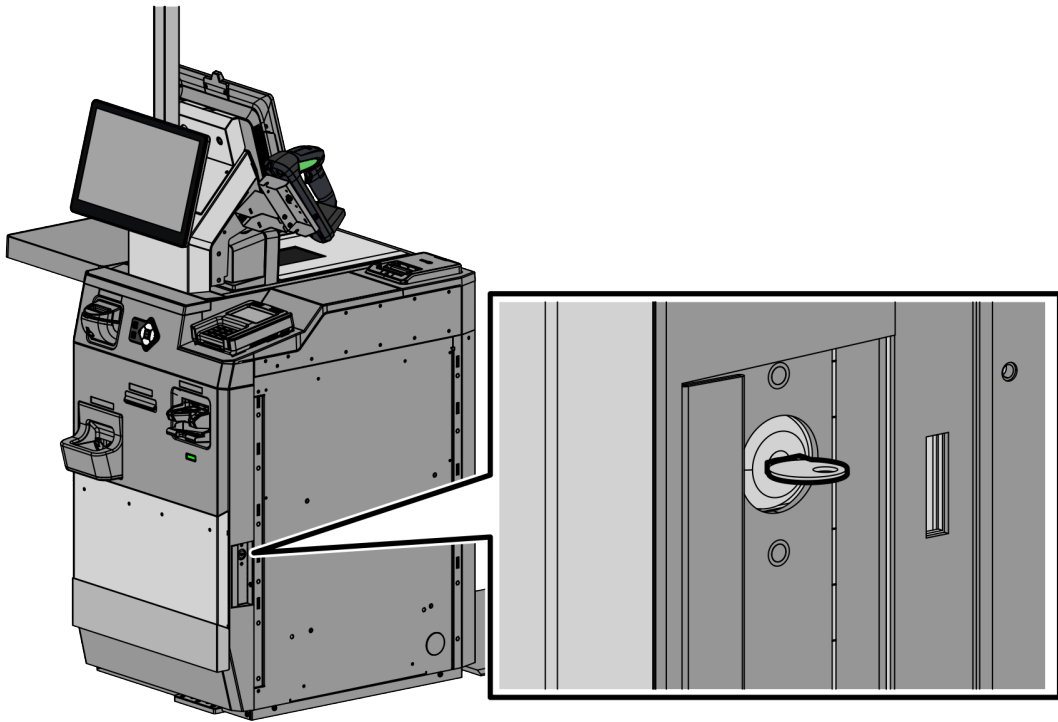
## Fixed Configuration



CCP-84253

Confidential and proprietary information of NCR Voyix Corporation.  
Unauthorized use, reproduction and/or distribution is strictly prohibited.

## Hybrid Configuration



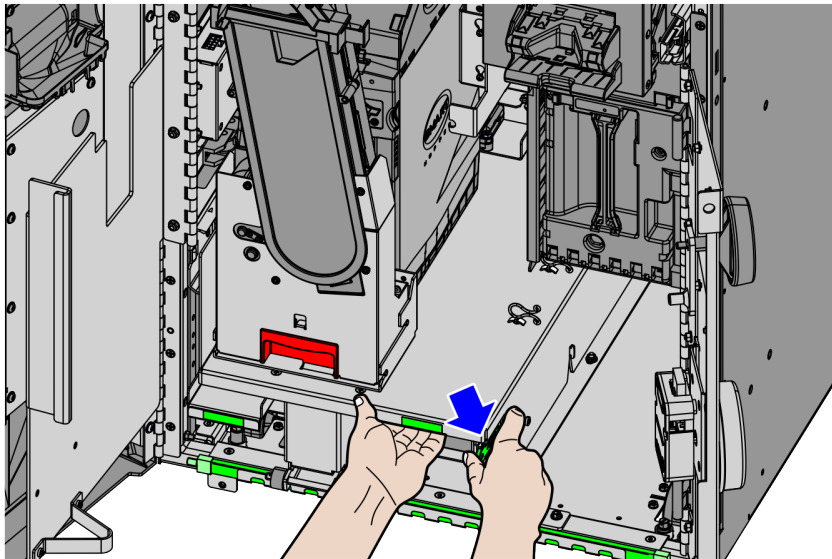
CCP-84254



### Note

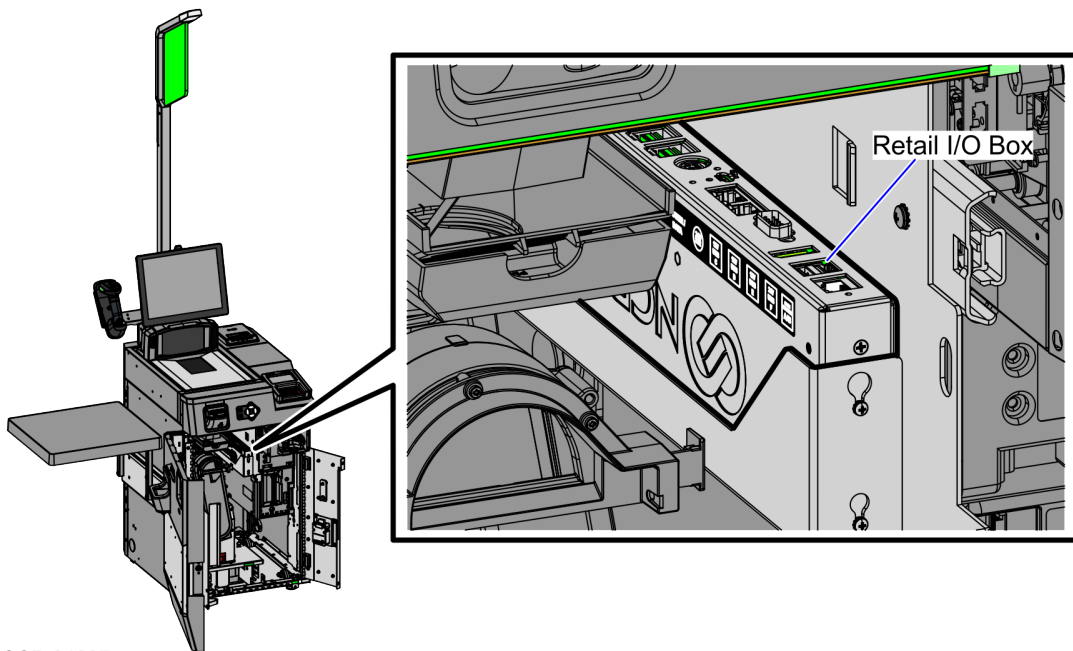
If the unit is configured with a Security Door, refer to [Opening the Security Door](#).

2. Rack out the Coin Recycler Tray.



CCP-84218

The Retail I/O Box is located on the right side of the Cabinet.



CCP-84227

Confidential and proprietary information of NCR Voyix Corporation.  
Unauthorized use, reproduction and/or distribution is strictly prohibited.

## Opening the Security Door

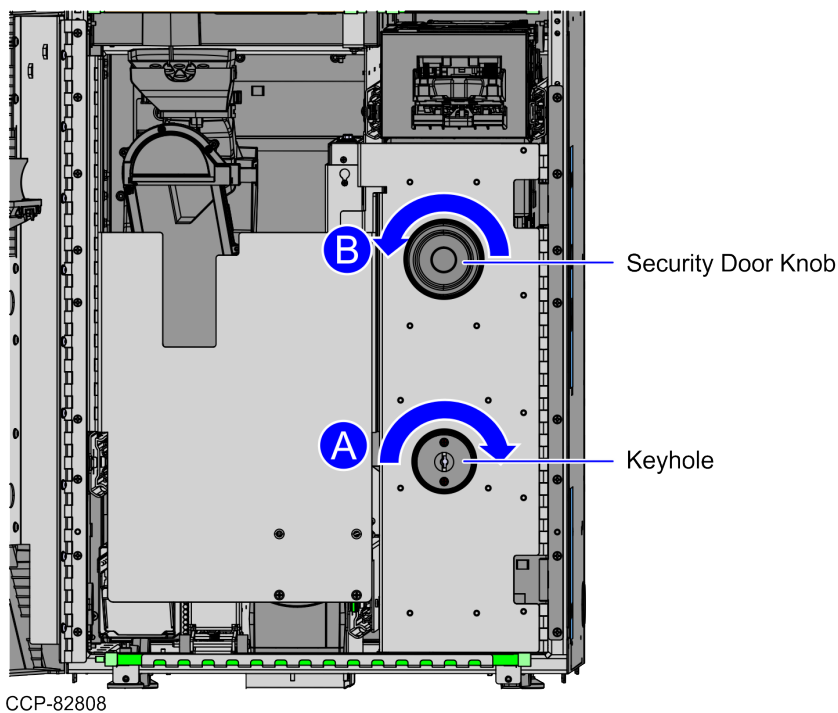
To open the Security Door, follow these steps:

**Note**  
The Security Door is an option for the 7371 Full Function Self-Checkout (Fixed) unit.

1. Do the following:
  - a. Insert the key into the keyhole and then turn the key clockwise.

**Caution**  
Do not force the key into the lock to avoid causing permanent damage to the Lock or Key. Do not apply inward or outward axial force to the Key once it is inserted to avoid causing the Lock from opening incorrectly.

- b. Turn the knob counterclockwise.



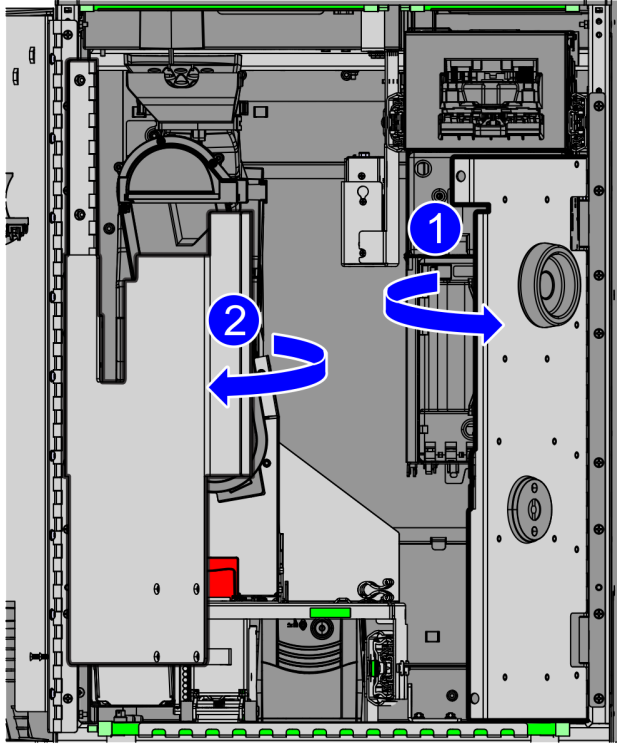
Confidential and proprietary information of NCR Voyix Corporation.  
Unauthorized use, reproduction and/or distribution is strictly prohibited.



2. Open the Security Door, as show in the image below.

**i Note**

Open both sides of the Security Door to access the devices inside the Core Cabinet.



CCP-82809

Confidential and proprietary information of NCR Voyix Corporation.  
Unauthorized use, reproduction and/or distribution is strictly prohibited.