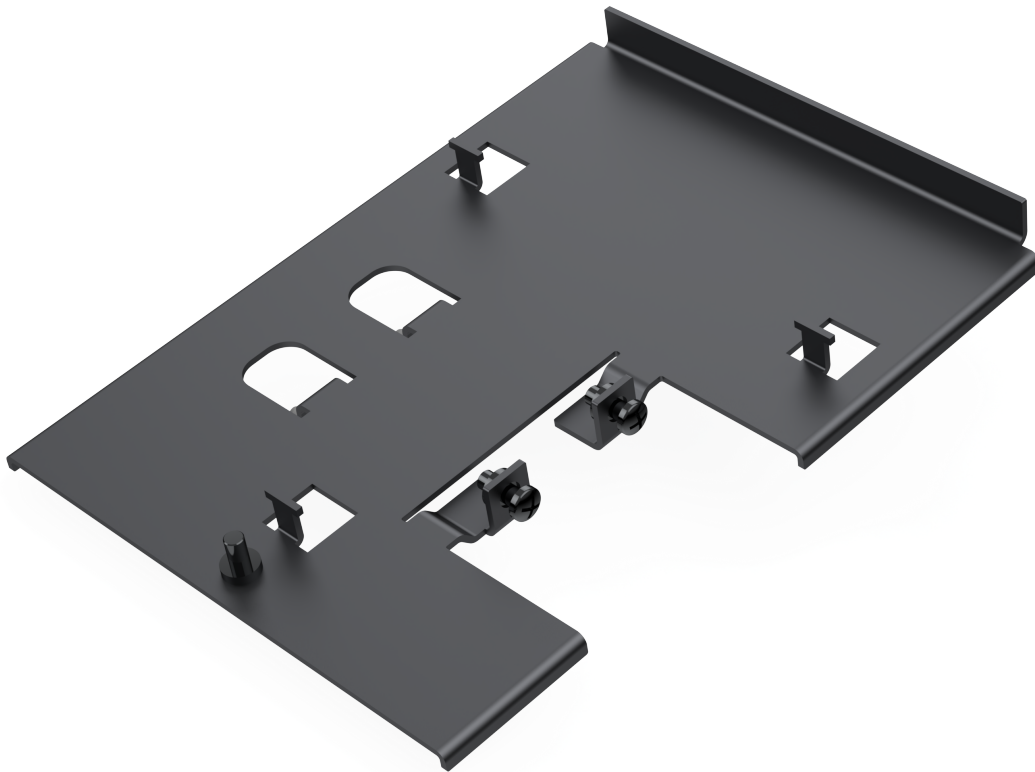




Kit Instructions

Front Mounting Plate (Ingenico ISC250)



7371-K351

Issue A

The product described in this document is a licensed product of NCR Corporation.

NCR is a registered trademark of NCR Corporation. NCR Self-Checkout Hardware is a trademark of NCR Corporation in the United States and/or other countries. Other product names mentioned in this publication may be trademarks or registered trademarks of their respective companies and are hereby acknowledged.

The terms HDMI and HDMI High-Definition Multimedia Interface, and the HDMI Logo are trademarks or registered trademarks of HDMI Licensing LLC in the United States and other countries.

Where creation of derivative works, modifications or copies of this NCR copyrighted documentation is permitted under the terms and conditions of an agreement you have with NCR, NCR's copyright notice must be included.

It is the policy of NCR Corporation (NCR) to improve products as new technology, components, software, and firmware become available. NCR, therefore, reserves the right to change specifications without prior notice.

All features, functions, and operations described herein may not be marketed by NCR in all parts of the world. In some instances, photographs are of equipment prototypes. Therefore, before using this document, consult with your NCR representative or NCR office for information that is applicable and current.

Copyright © 2023

By NCR Voyix Corporation

Global Headquarters

864 Spring St. NW

Atlanta, GA 30308

United States

All Rights Reserved

Confidential and proprietary information of NCR Voyix Corporation.

Unauthorized use, reproduction and/or distribution is strictly prohibited.

Revision Record

Issue	Date	Remarks
A	Oct 2023	First issue.

Confidential and proprietary information of NCR Voyix Corporation.
Unauthorized use, reproduction and/or distribution is strictly prohibited.

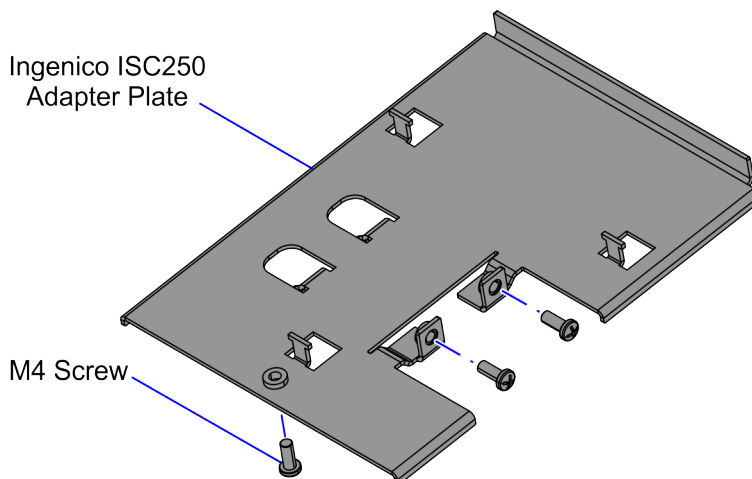
7371-K351 Front Mounting Plate (Ingenico ISC250)

This publication provides procedures for installing a Front Mounting Plate for an Ingenico ISC250 PIN Pad device on either of the following NCR Self-Checkout Hardware (7371) configurations:

- Full Function Self-Checkout units
- Full Function Self-Checkout (Hybrid) units

Note
The Ingenico ISC250 device is supplied by the customer.

Kit Contents



CCP-83825

Part Number	Description
497-0534979	7371-K351 Kit, ISC250 Mounting Plate (Front Mount)
497-0532684	Ingenico ISC250 Adapter Plate
006-8608194	Screw ,M4X10,MACHINE,PHIL,PAN,STL,BLACK (3 pcs)
* 497-0423108	Instructions Kit (Reference Sheet)

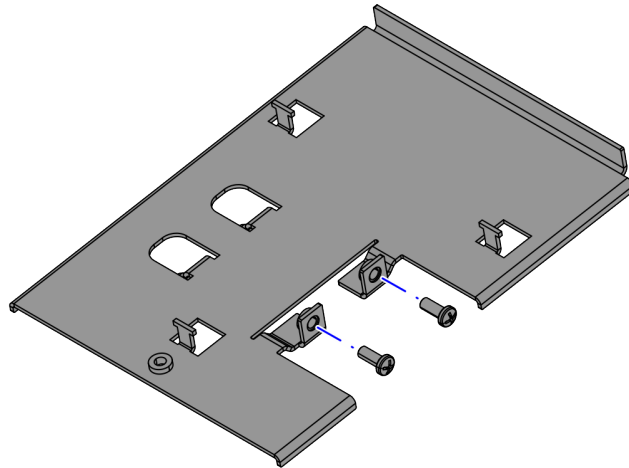
* Items marked with an asterisk are not called out on the image.

Confidential and proprietary information of NCR Voyix Corporation.
Unauthorized use, reproduction and/or distribution is strictly prohibited.

Installation Procedures

To install the Front Mounting Plate, follow these steps:

1. Remove the existing PIN Pad device and Front Mounting Plate, if necessary. For more information, refer to [Removing the PIN Pad \(Ingenico ISC250\)](#).
2. Partially insert the two (2) M4 screws into the screw slots of the mounting plate.

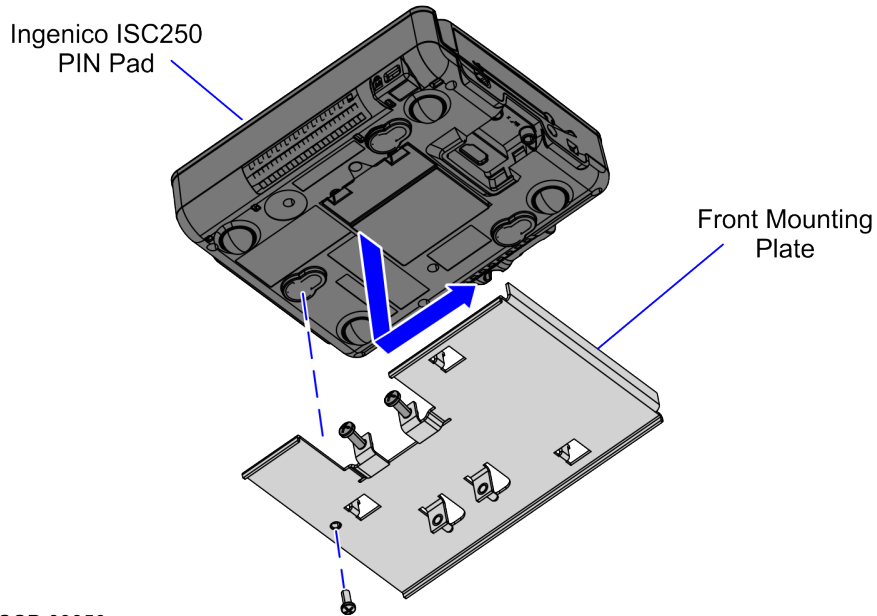


CCP-84266

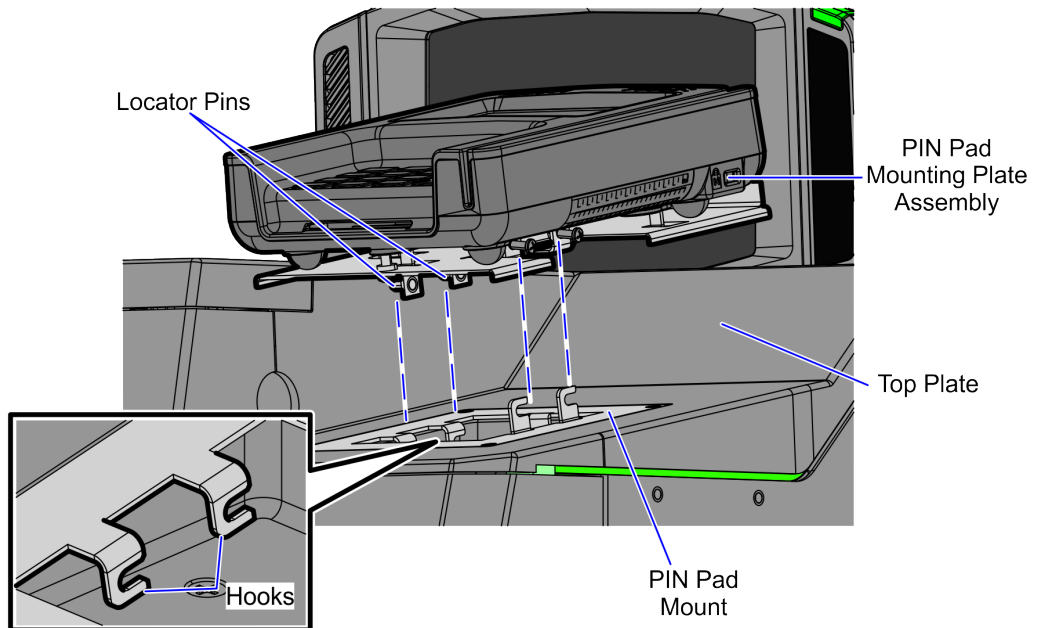
3. Attach the Ingenico ISC250 PIN Pad onto the hooks of the Front Mounting Plate and then secure it with an M4 pan head screw.

i Note

The Ingenico ISC250 PIN Pad is not included in the 7371-K351 *Front Mounting Plate (Ingenico ISC250) Kit*. For more information, contact an NCR Customer Service Representative.

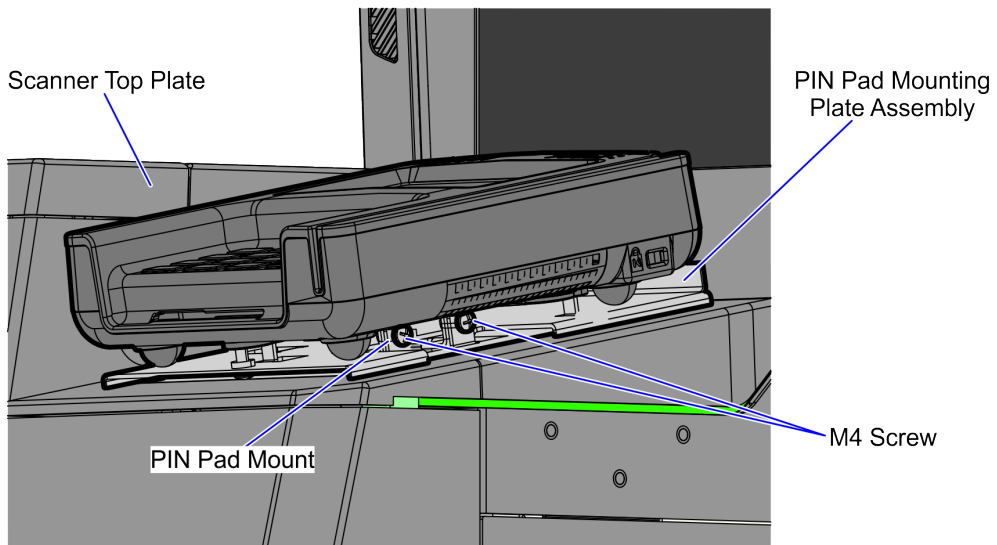


4. Do the following:
 - a. Slide the locator pins of the PIN Pad Mounting Plate Assembly so that the locator pins are engaged with the bottom hooks of the PIN Pad Mount, as shown in the image below.



CCP-83851

- b. Secure the PIN Pad Mounting Plate Assembly to the PIN Pad Mount using two (2) M4 pan head screws, as shown in the image below.



CCP-83848

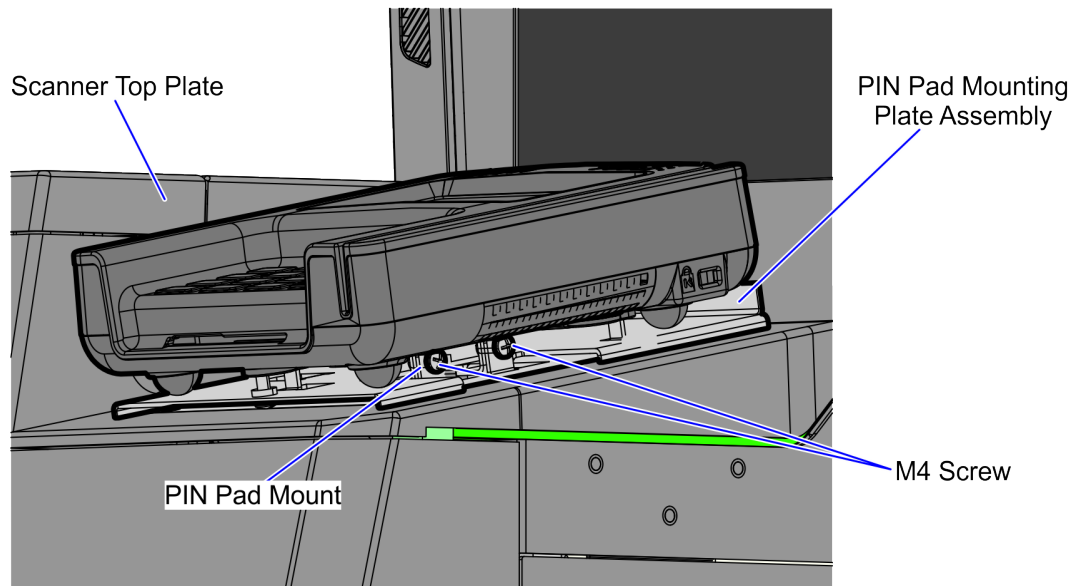
5. Route the PIN Pad device cable. For more information, refer to [Routing the PIN Pad cable](#).

Confidential and proprietary information of NCR Voyix Corporation.
 Unauthorized use, reproduction and/or distribution is strictly prohibited.

Removing the PIN Pad (Ingenico ISC250)

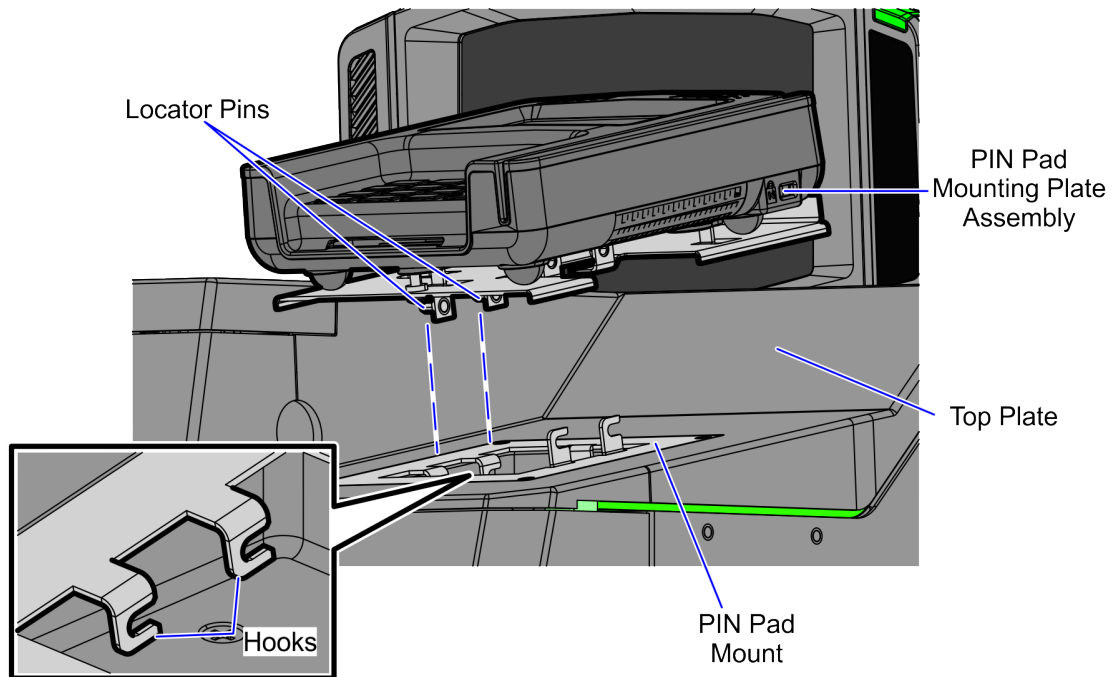
To remove the PIN Pad, follow these steps:

1. Turn off the 7371 Full Function Self-Checkout (Fixed) software and hardware systems.
2. Disconnect the PIN Pad device cable.
3. Remove two (2) M4 pan head screws to detach the PIN Pad Mounting Plate Assembly to the PIN Pad Mount, as shown in the image below.



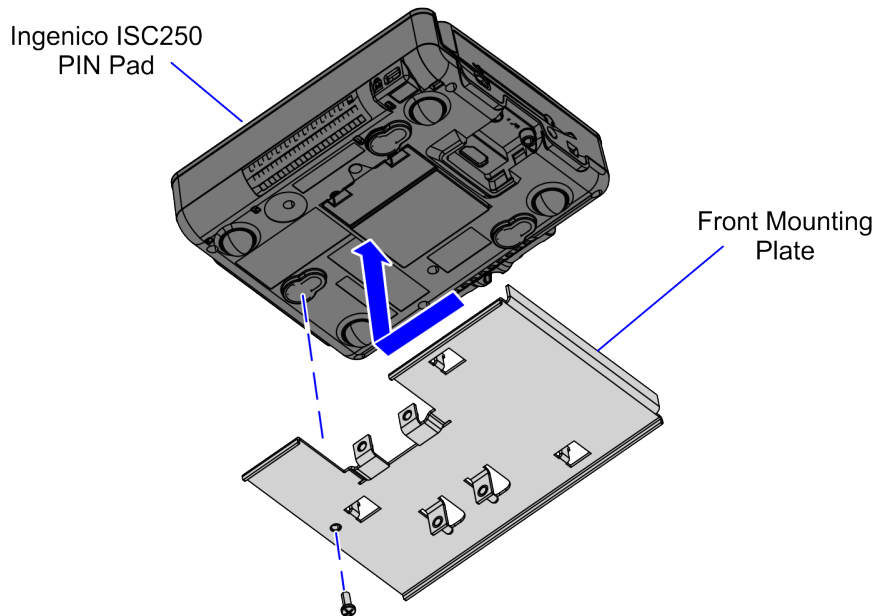
CCP-83848

- Slide the PIN Pad Mounting Plate Assembly to the back so that the locator pins are disengaged from the bottom hooks of the PIN Pad mount, as shown in the image below.



CCP-83849

- Remove one (1) M4 pan head screw to detach the Ingenico ISC250 PIN Pad from the Front Mounting Plate.



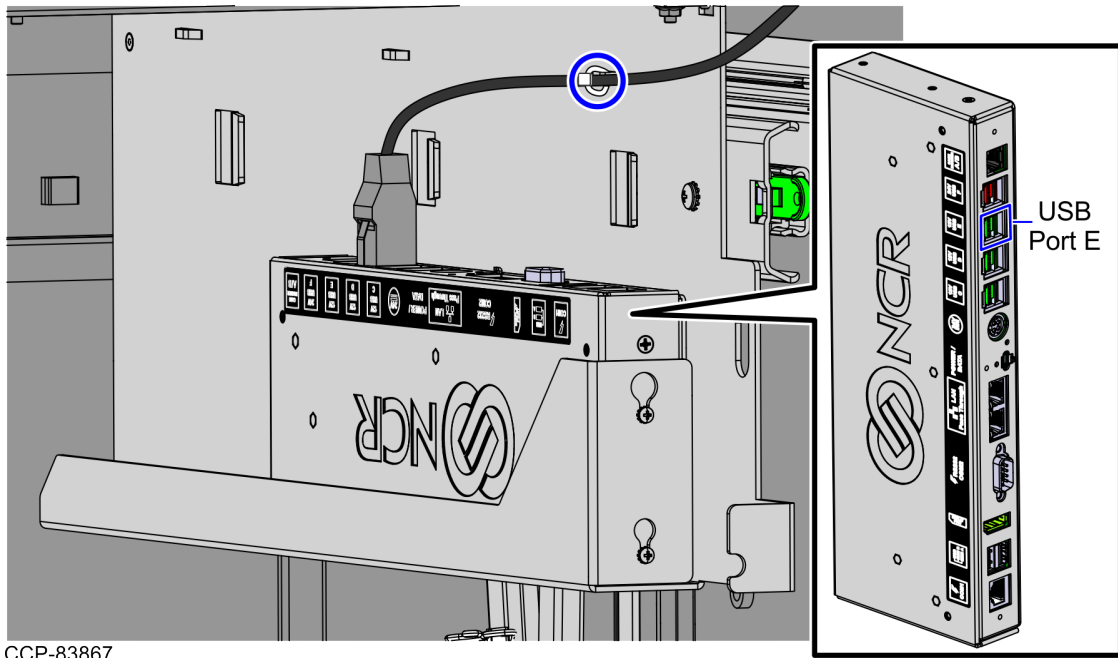
CCP-83866

Confidential and proprietary information of NCR Voyix Corporation.
Unauthorized use, reproduction and/or distribution is strictly prohibited.

Routing the PIN Pad cable

To route the PIN Pad cable, follow these steps:

1. Access the Retail I/O Box. For more information, refer to [Accessing the Retail I/O Box](#).
2. Connect the PIN Pad device cable to the **12V powered USB port E** of the Retail I/O Box.
3. Secure the PIN Pad device cable on the Retail I/O Box Mounting Bracket using a cable tie, as shown in the image below.

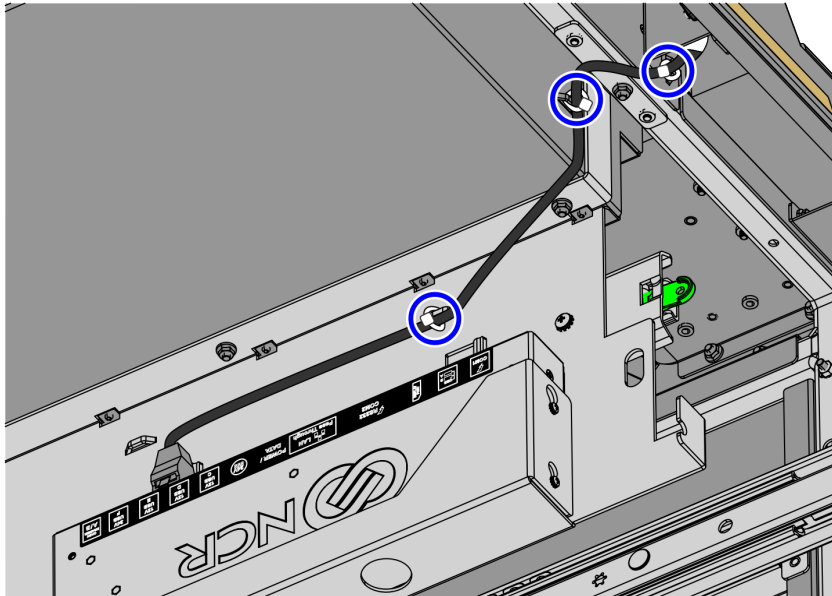


CCP-83867

Confidential and proprietary information of NCR Voyix Corporation.

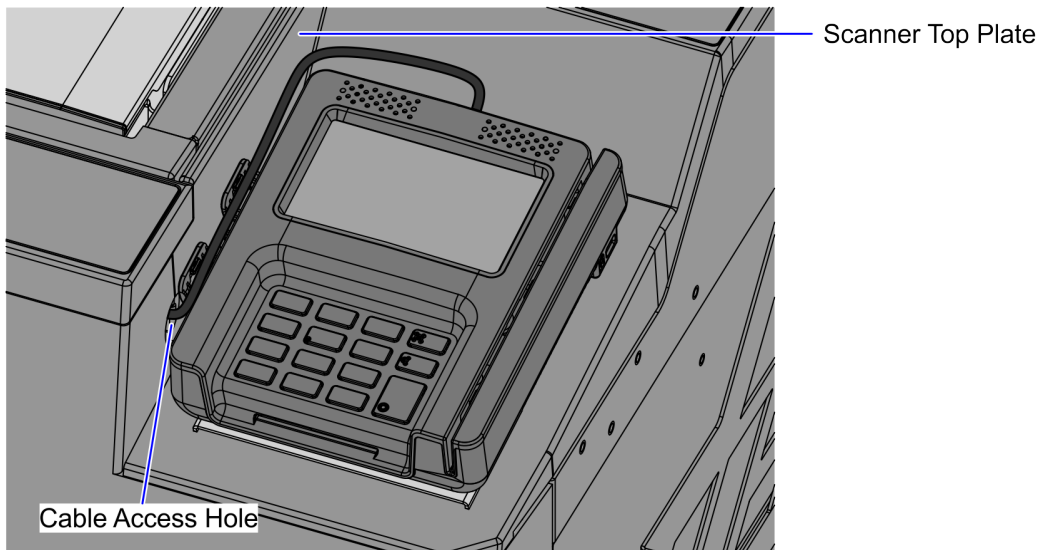
Unauthorized use, reproduction and/or distribution is strictly prohibited.

4. Do the following:
 - a. Secure the PIN Pad device cable on the lance bridges of the Core (Cabinet).
 - b. Route the cable up and through the cable access hole on the Top Plate, as shown in the image below.



CCP-83870

5. Connect the PIN Pad cable to the Ingenico ISC250 PIN Pad.



CCP-83852

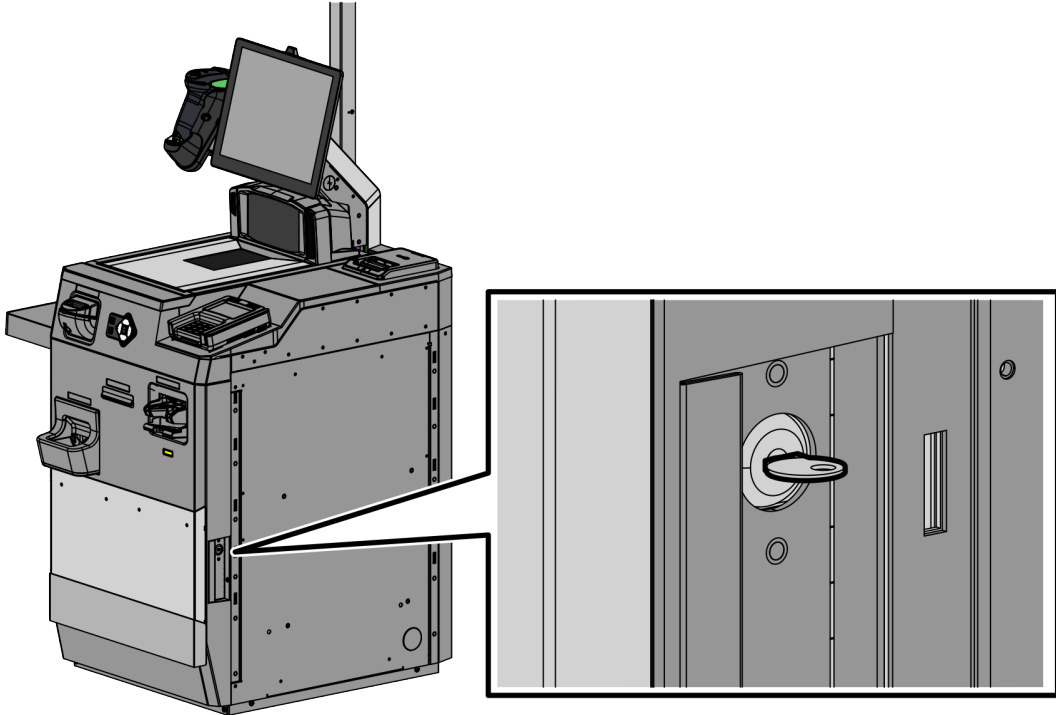
Confidential and proprietary information of NCR Voyix Corporation.
Unauthorized use, reproduction and/or distribution is strictly prohibited.

Accessing the Retail I/O Box

To access the Retail I/O Box, follow these steps:

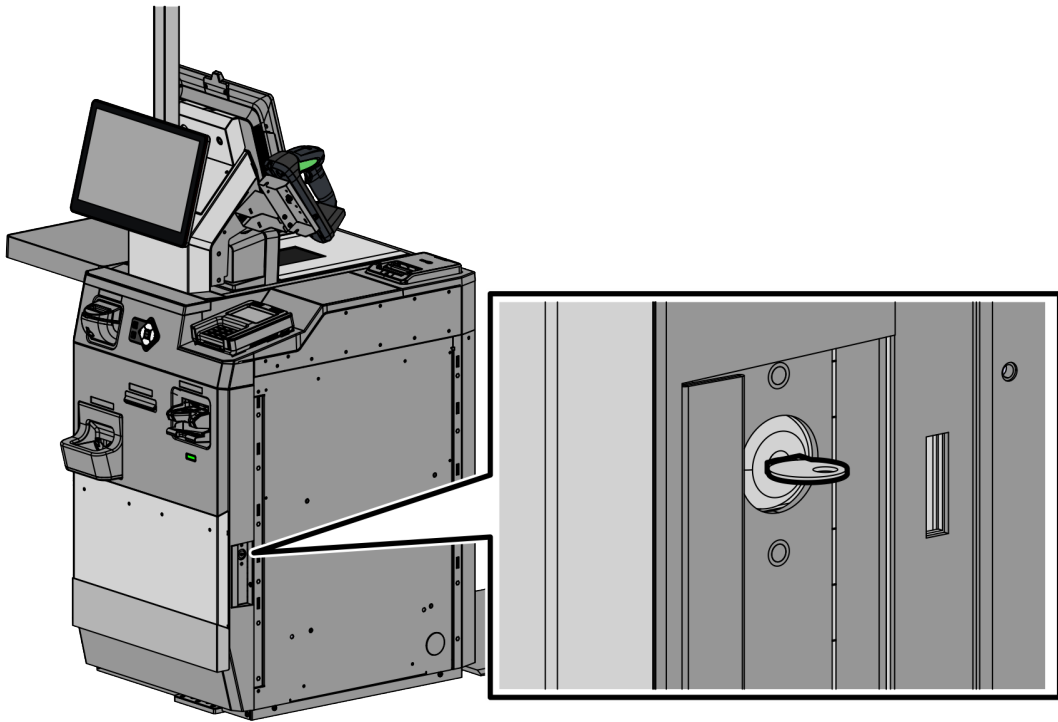
1. Unlock and open the Cosmetic Door using a key.

Fixed Configuration



CCP-84253

Hybrid Configuration



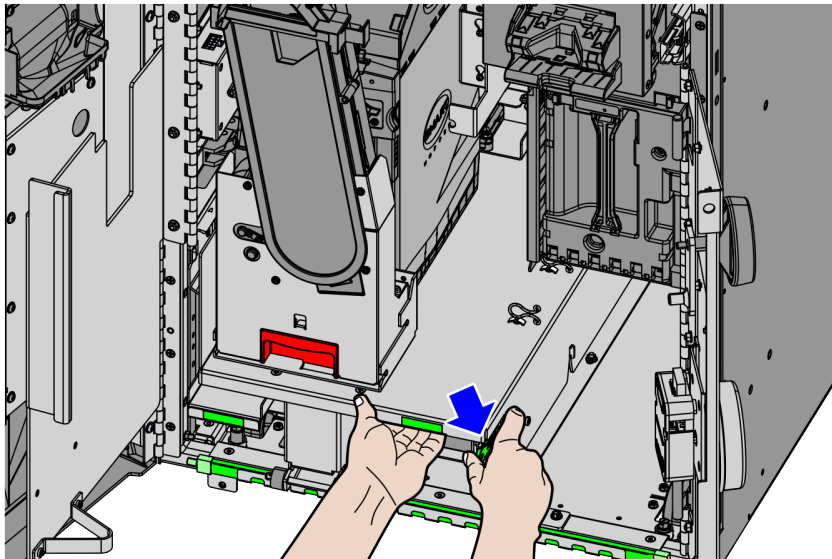
CCP-84254



Note

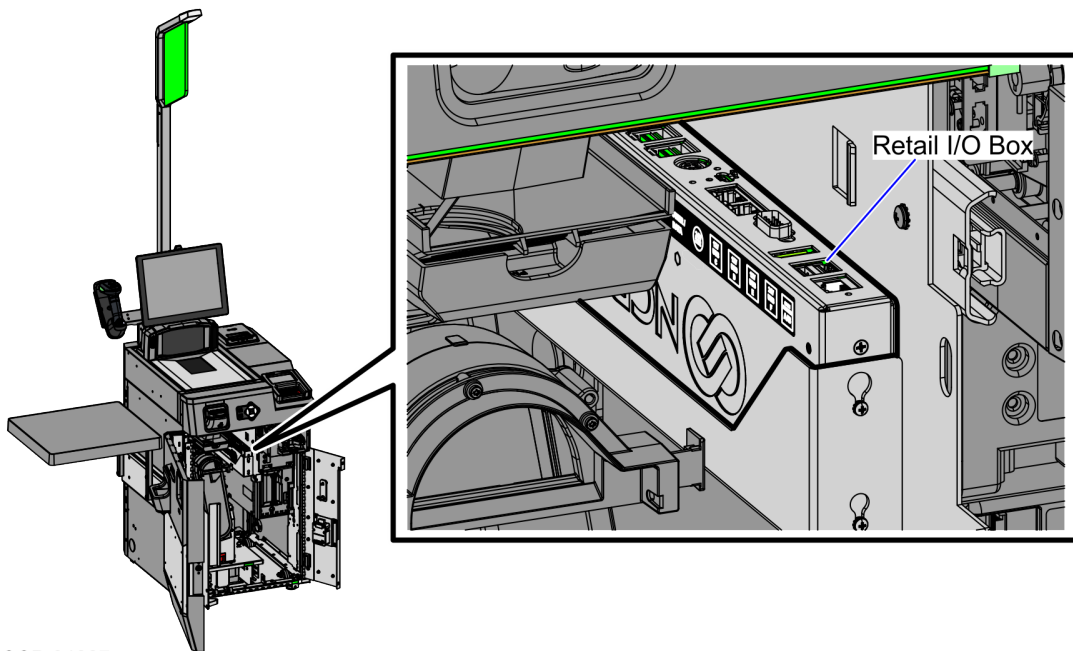
If the unit is configured with a Security Door, refer to [Opening the Security Door](#).

2. Rack out the Coin Recycler Tray.



CCP-84218

The Retail I/O Box is located on the right side of the Cabinet.



CCP-84227

Confidential and proprietary information of NCR Voyix Corporation.
Unauthorized use, reproduction and/or distribution is strictly prohibited.

Opening the Security Door

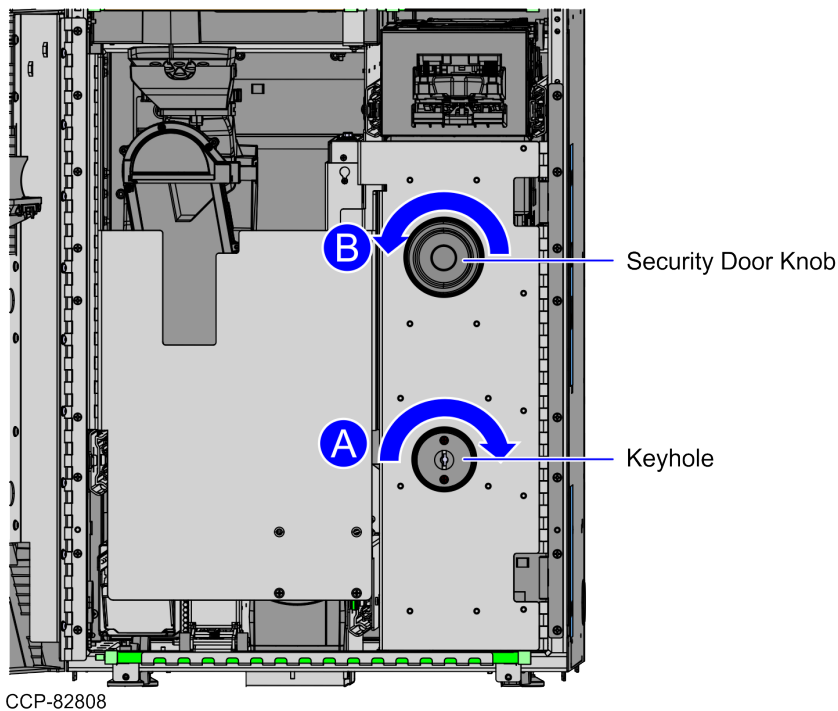
To open the Security Door, follow these steps:

Note
The Security Door is an option for the 7371 Full Function Self-Checkout (Fixed) unit.

1. Do the following:
 - a. Insert the key into the keyhole and then turn the key clockwise.

Caution
Do not force the key into the lock to avoid causing permanent damage to the Lock or Key. Do not apply inward or outward axial force to the Key once it is inserted to avoid causing the Lock from opening incorrectly.

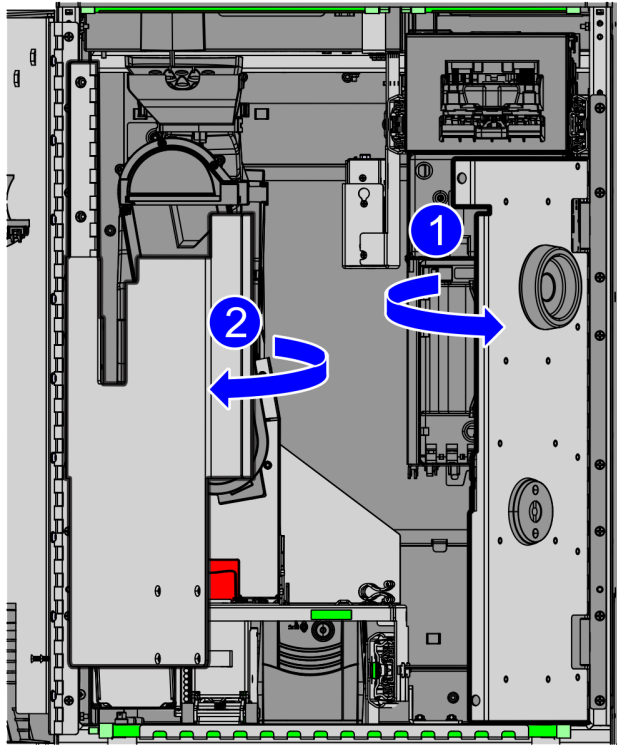
- b. Turn the knob counterclockwise.



Confidential and proprietary information of NCR Voyix Corporation.
Unauthorized use, reproduction and/or distribution is strictly prohibited.

2. Open the Security Door, as show in the image below.

i Note
Open both sides of the Security Door to access the devices inside the Core Cabinet.



CCP-82809

Confidential and proprietary information of NCR Voyix Corporation.
Unauthorized use, reproduction and/or distribution is strictly prohibited.