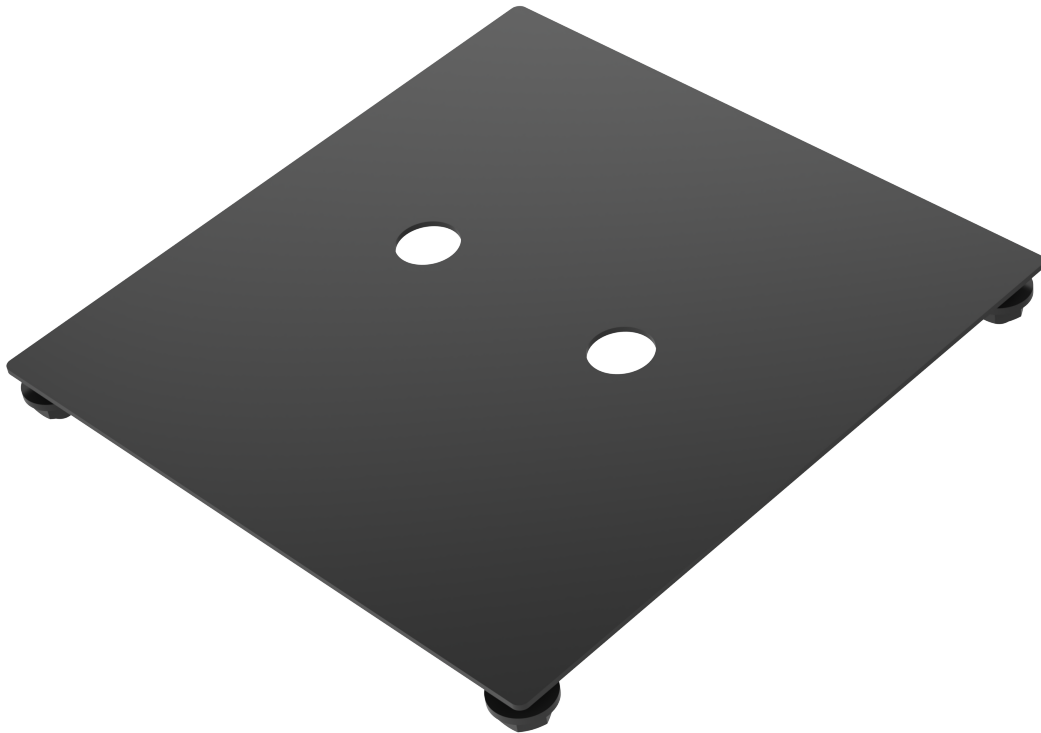




Kit Instructions

PIN Pad Blanking Plate



7371-K349

Issue A

Copyright and Trademark Information

The product described in this document is a licensed product of NCR Voyix Corporation.

NCR Voyix SCO Hardware is a trademark of NCR Voyix Corporation in the United States and/or other countries. Other product names mentioned in this publication may be trademarks or registered trademarks of their respective companies and are hereby acknowledged.

Where creation of derivative works, modifications or copies of this NCR Voyix copyrighted documentation is permitted under the terms and conditions of an agreement you have with NCR Voyix, NCR Voyix's copyright notice must be included.

Disclaimer:

It is the policy of NCR Voyix Corporation to improve products as technology, components, software and firmware become available. NCR Voyix therefore reserves the right to change specifications without prior notice.

All features, functions and operations described herein may not be marketed by NCR Voyix in all parts of the world. In some instances, photographs are of equipment prototypes.

Therefore, before using this document, consult with your NCR Voyix representative or NCR Voyix office for information that is applicable and current.

© 2024

By NCR Voyix Corporation

Atlanta, Georgia, USA

All Rights Reserved

Confidential and proprietary information of NCR Voyix.

Use and disclose solely pursuant to company instructions.

Revision Record

Publication issue	Date	Description of change
A	Jul 2024	First issue.

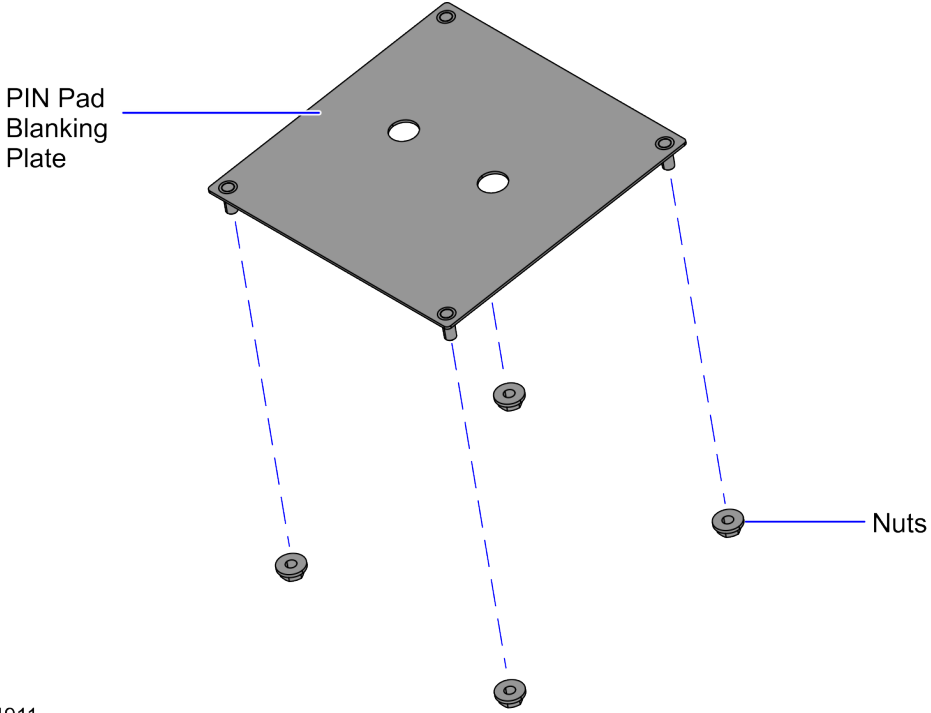
Confidential and proprietary information of NCR Voyix.

Use and disclose solely pursuant to company instructions.

7371-K349 PIN Pad Blanking Plate

This publication provides procedures for installing the 7371-K349 PIN Pad Blanking Plate to the 7371 NCR Voyix SCO Hardware.

Kit Contents



CCP-84911

Part Number	Description
497-0537594	7371-K349 PIN Pad Blanking Plate
497-0533941	Plate Blanking Pin Pad Ff
* 497-0534482	Hole Cover Label - Impact Black (Blk7)
006-8628727	Serrated Nut - Self Locking (M4, 4.2) (4 pcs)

* Items marked with an asterisk are not called out on the image.

Confidential and proprietary information of NCR Voyix.
 Use and disclose solely pursuant to company instructions.

Installation Procedures

Installing the 7371-K349 PIN Pad Blanking Plate involves the following procedures:

1. Shut down the Self-Checkout software and hardware systems.
2. Remove the NCR 7895 Scanner/Scale. For more information, refer to "[Removing the 7895 Scanner/Scale from Full Function Configuration](#)" on the next page.
3. Remove the PIN Pad Mount from the Scanner Top Plate (Plastic). For more refer to "[Removing the Front PIN Pad Mount](#)" on page 9.
4. Install the PIN Pad Blanking Plate on the Scanner Top Plate (Plastic). For more information, refer to "[Installing the PIN Pad Blanking Plate](#)" on page 16.

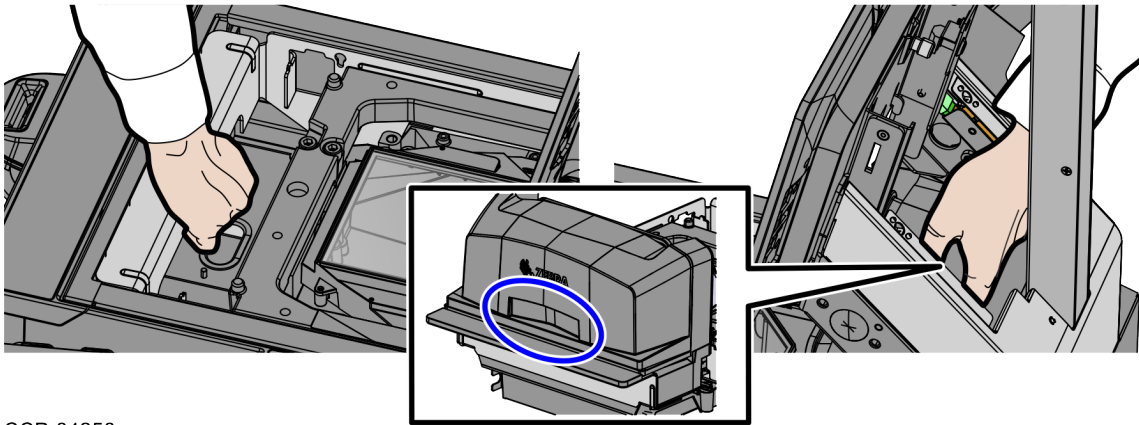
Confidential and proprietary information of NCR Voyix.

Use and disclose solely pursuant to company instructions.

Removing the 7895 Scanner/Scale from Full Function Configuration

To remove the NCR 7895 Scanner/Scale, follow these steps:

1. Remove the Scanner/Scale Top Plate. For more information, refer to "[Removing the 7895 Scanner/Scale Top Plate](#)" on page 26.
2. Grasp the front of the Scanner/Scale and the back of the Scanner/Scale through the Tower Cabinet rear opening, as shown in the image below.

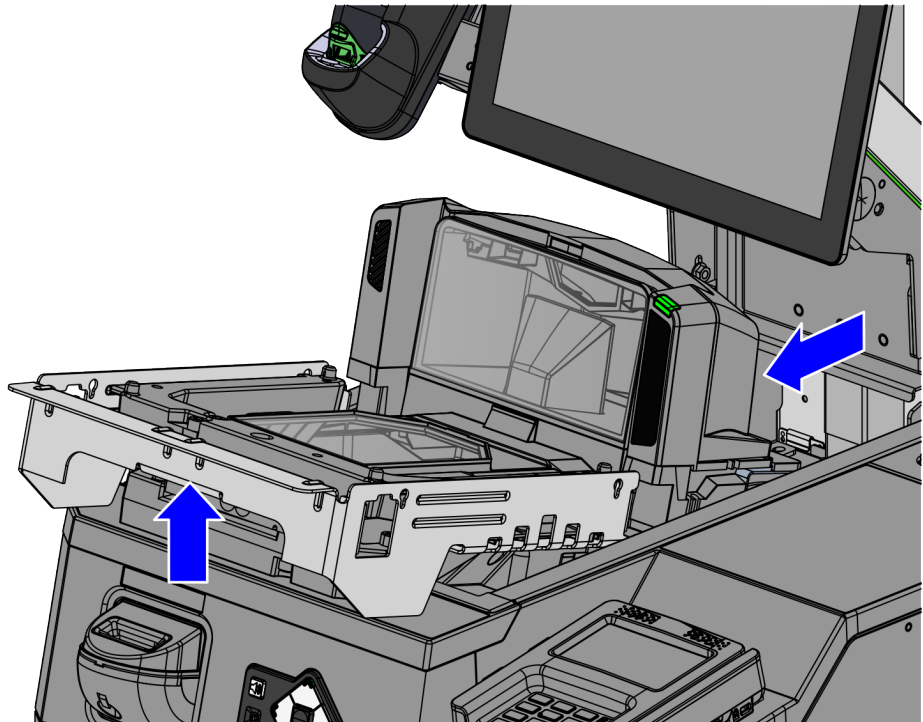


CCP-84256

Confidential and proprietary information of NCR Voyix.

Use and disclose solely pursuant to company instructions.

- Lift the front handle of the Scanner/Scale and then push the back of the Scanner/Scale to the front to remove it from the Scanner Bucket, as shown in the image below.



CCP-84257

- Disconnect the cables from the NCR 7895 Scanner/Scale.

Note

If removing Scanner/Scale with Sensormatic® features, remove the Sensormatic® Interface cable.

Tip

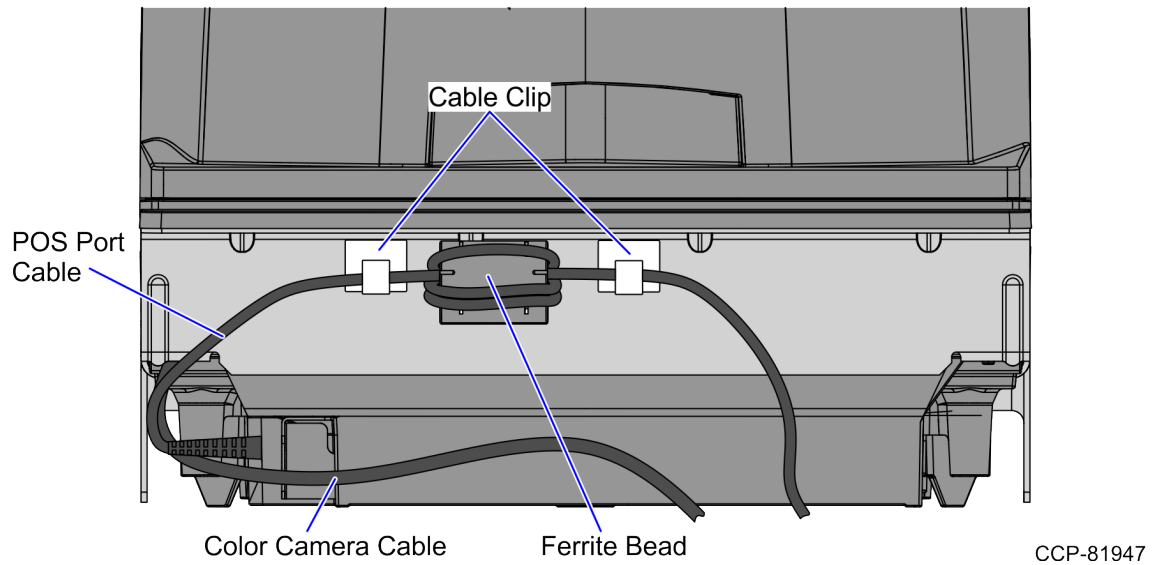
Mark all cables as to where they are connected to quickly determine the corresponding port when reconnecting the cables.

Cable	Scanner/Scale Port
Camera cable	Internal Port
Main cable	POS Port
Scale Display (If applicable)	7895 Single or Dual Head Scale Pole Display

Confidential and proprietary information of NCR Voyix.

Use and disclose solely pursuant to company instructions.

1. Remove the POS Port cable from the cable clips at the rear of the Scanner/Scale, as shown in the image below.



2. Bundle the disconnected cables in a loop and secure it in the Scanner Bucket.

Confidential and proprietary information of NCR Voyix.

Use and disclose solely pursuant to company instructions.

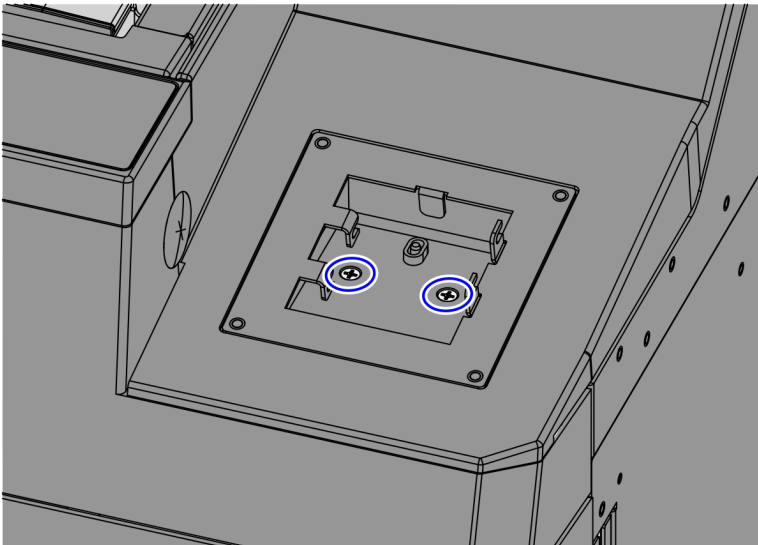
Removing the Front PIN Pad Mount

To remove the Front PIN Pad Mount from the Scanner Top Plate (Plastic), follow these steps:

1. Remove the PIN Pad device. Depending on the PIN Pad device, refer to the procedure in any of the following Kit Instructions:
 - [7371-K350 Universal PIN Pad Plate \(Front Mount\)](#)
 - [7371-K351 Front Mounting Plate \(Ingenico ISC250\)](#)
 - [7371-K352 Front Mount Multiclip \(Ingenico Lane 3000/5000/7000\)](#)
 - [7371-K355 Front Mounting Plate \(Verifone P400\)](#)
2. Remove two (2) screws from the PIN Pad Mount Base Plate, as shown in the image below.

Note

Set aside the removed screws. These will be reused when installing PIN Pad Blanking Plate.



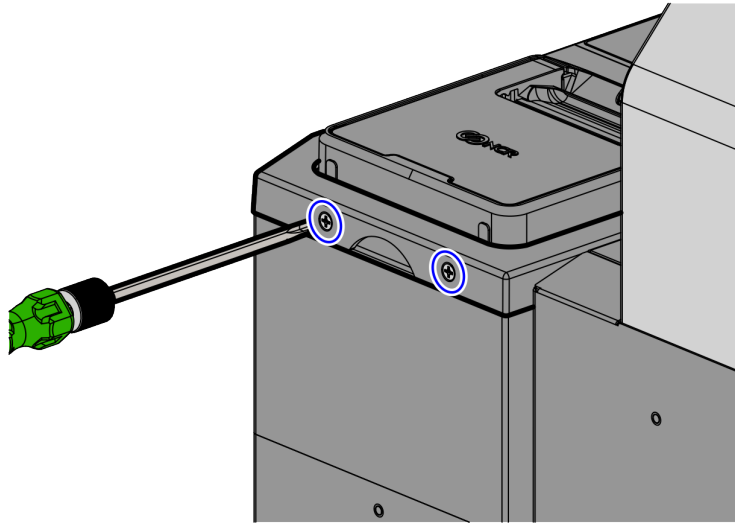
CCP-84570

Confidential and proprietary information of NCR Voyix.

Use and disclose solely pursuant to company instructions.

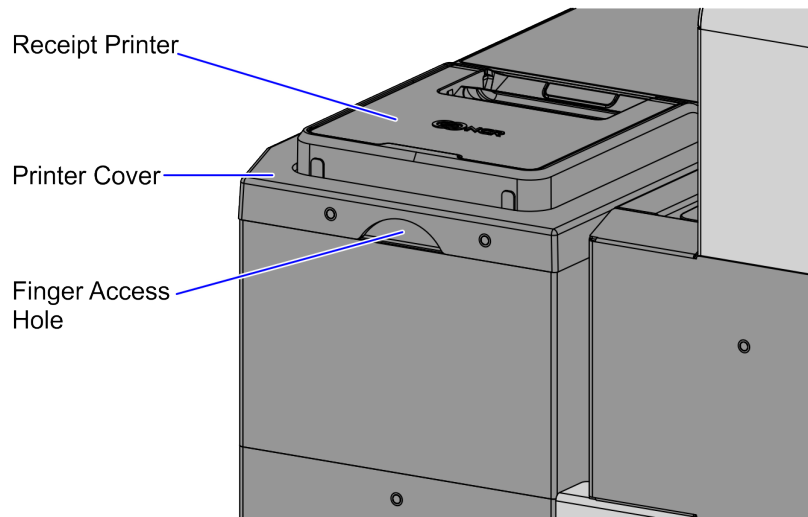
3. Remove the Printer Cover by doing the following:

- a. Remove two (2) screws from the rear of the Printer Cover, as shown in the image below.



CCP-84571

- a. Hold the Finger Access hole to detach and lift the Printer Cover.

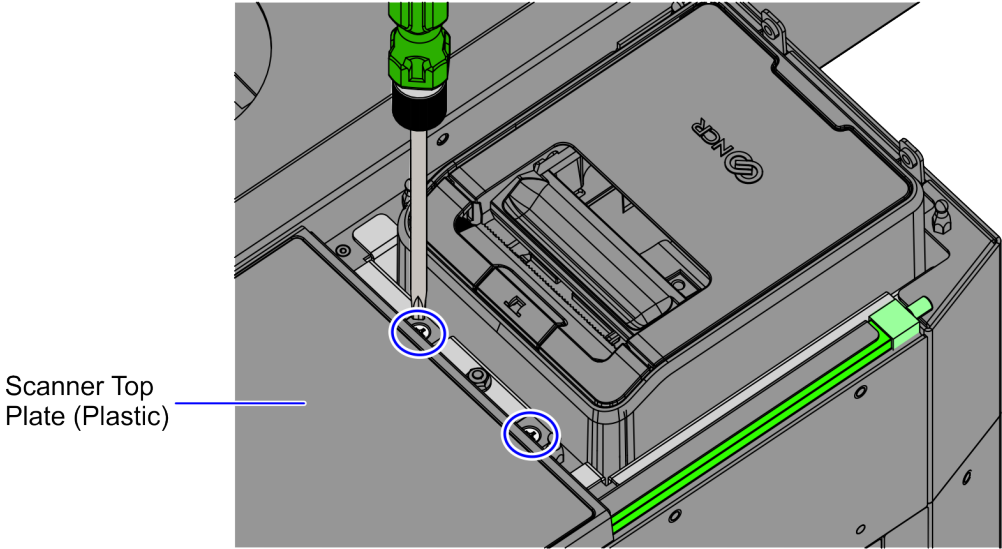


CCP-84572

Confidential and proprietary information of NCR Voyix.

Use and disclose solely pursuant to company instructions.

4. Remove two (2) screws at the rear of the Scanner Top Plate (Plastic), as shown in the image below.



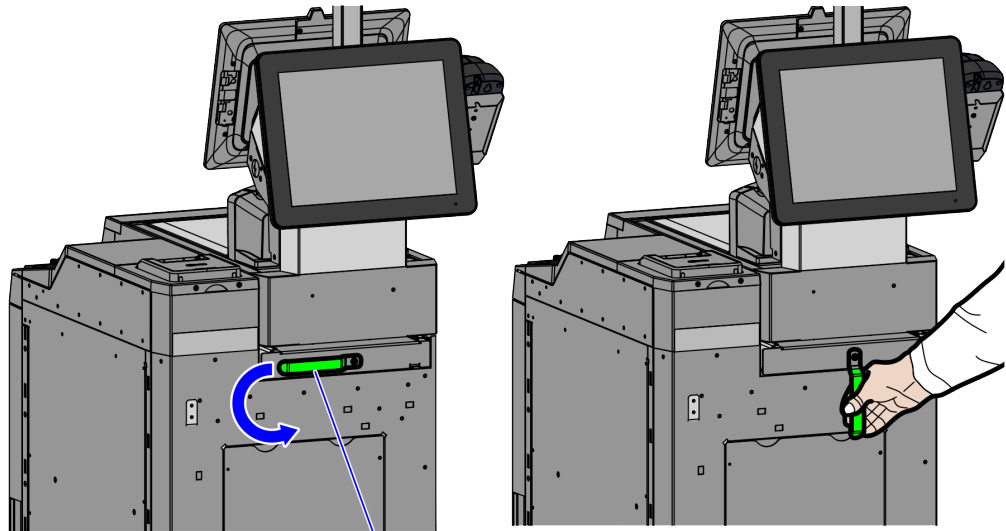
CCP-84573

Confidential and proprietary information of NCR Voyix.

Use and disclose solely pursuant to company instructions.

5. Depending on the unit, do either of the following:

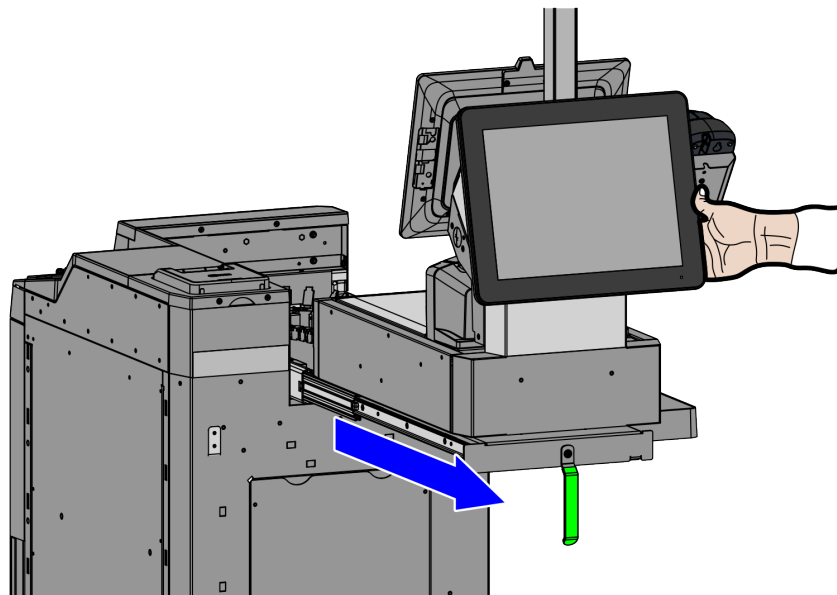
- If the unit is a SCO Full Function Hybrid, rack out the Tower Module assembly.
 - a. Turn the Conversion Handle down to 90 degrees to unlock the Tower assembly, as shown in the image below.



CCP-83191

Conversion Handle

- b. Pull the Tower assembly forward. Ensure that the Tower assembly is fully racked out.

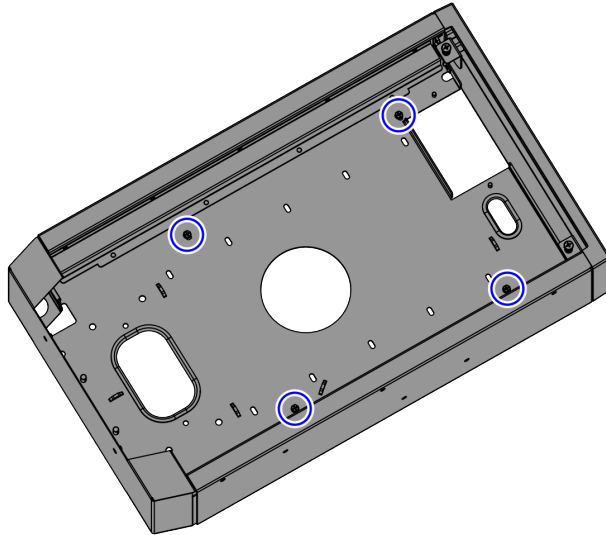


CCP-83192

Confidential and proprietary information of NCR Voyix.

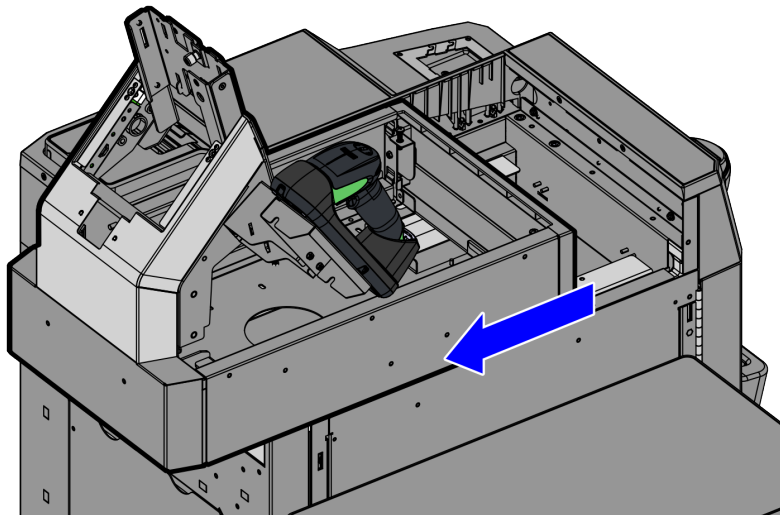
Use and disclose solely pursuant to company instructions.

- If the unit is a SCO Full Function Fixed, do the following:
 - a. Remove the Scanner/Scale. For more information, refer to ["Removing the 7895 Scanner/Scale from Full Function Configuration"](#) on page 6.
 - b. Remove four (4) screws from the bottom of the Scanner Bucket, as shown in the image below.



CCP-84574

- a. Slightly push the Tower Module assembly to the back, as shown in the image below.



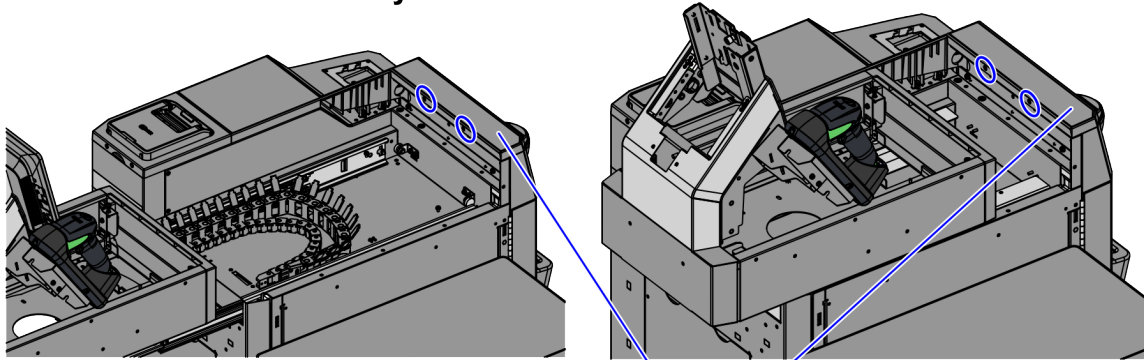
CCP-84575

Confidential and proprietary information of NCR Voyix.
Use and disclose solely pursuant to company instructions.

6. Remove two (2) screws to detach the Scanner Top Plate Fascia.

7371 SCO Full Function Hybrid

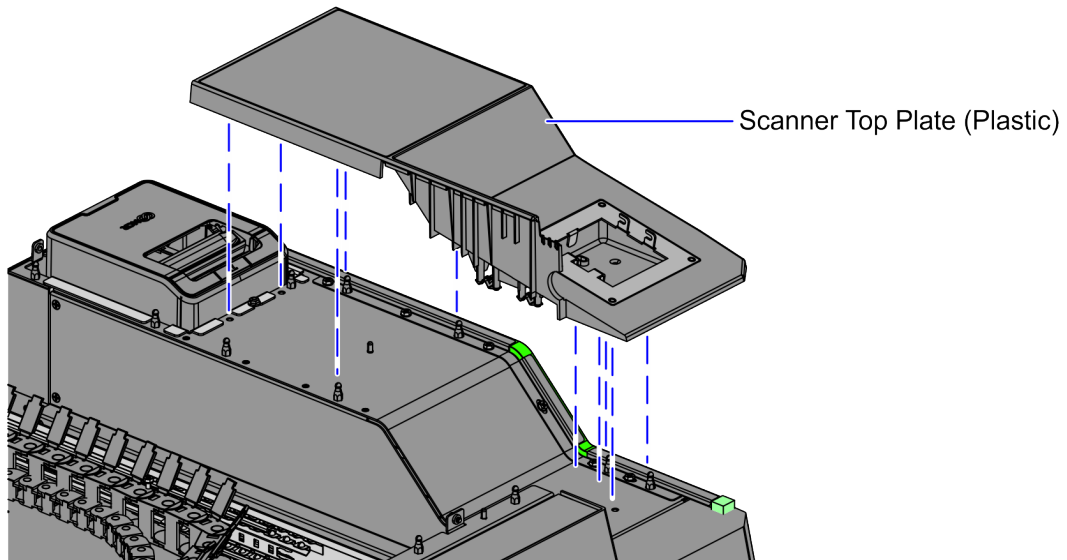
7371 SCO Full Function



CCP-84576

Scanner Top Plate Fascia

7. Lift and remove the Scanner Top Plate (Plastic) from the Core (Cabinet), as shown in the image below.

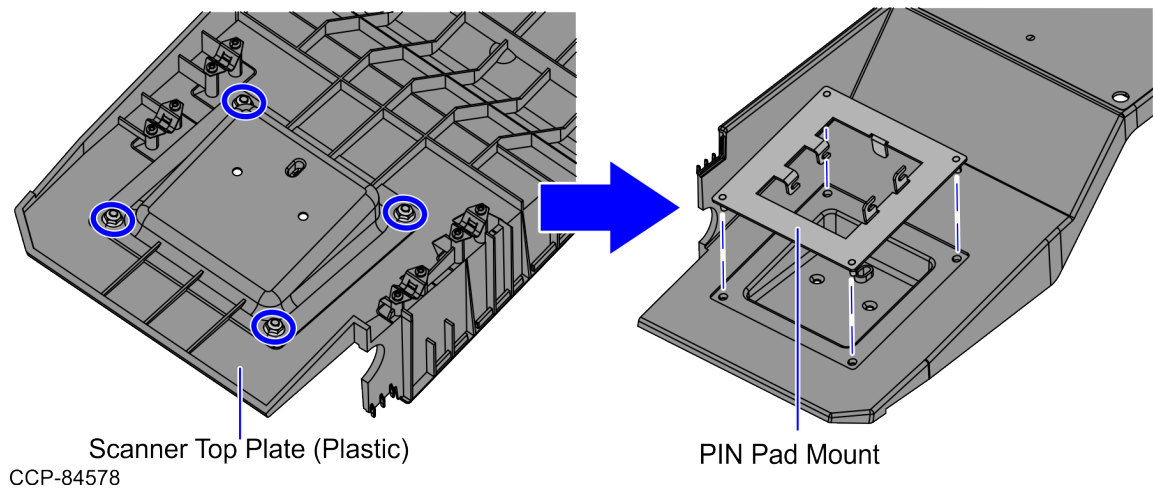


CCP-84577

Confidential and proprietary information of NCR Voyix.

Use and disclose solely pursuant to company instructions.

8. From the rear of the Scanner Top Plate (Plastic), remove four (4) nuts to detach the PIN Pad Mount.



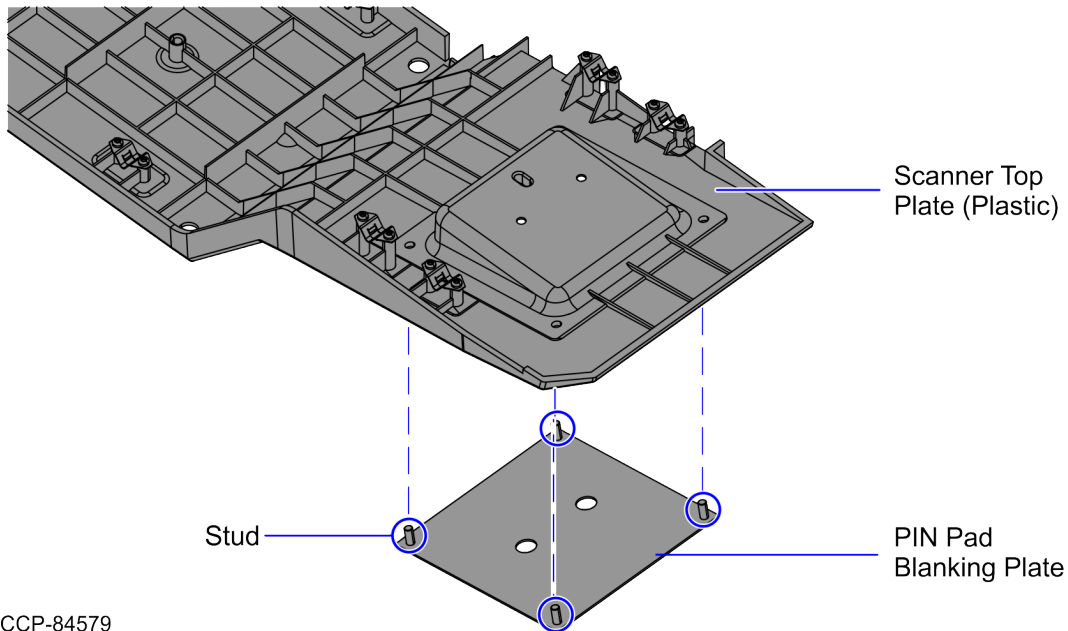
Confidential and proprietary information of NCR Voyix.

Use and disclose solely pursuant to company instructions.

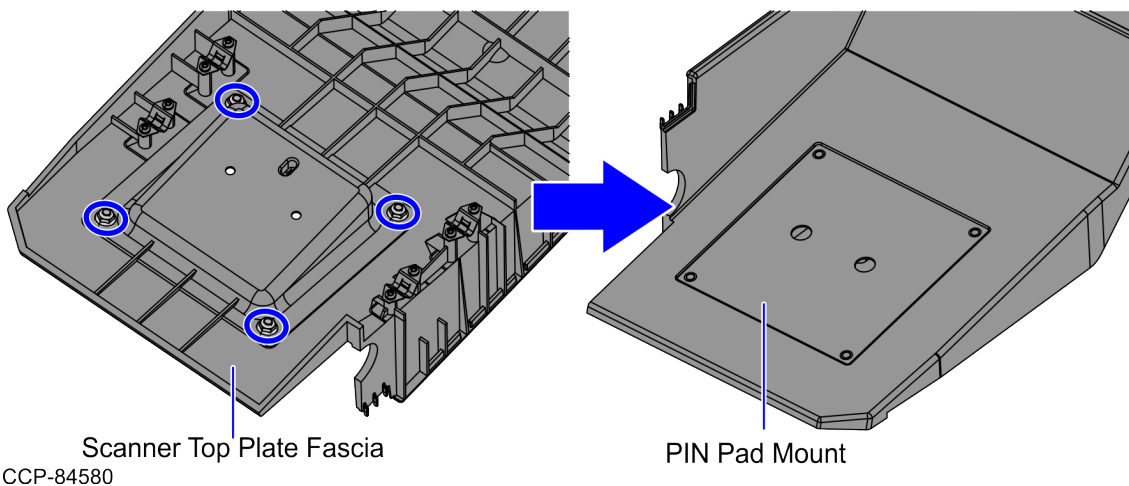
Installing the PIN Pad Blanking Plate

To install PIN Pad Blanking Plate, follow these steps:

1. Remove the Front PIN Pad Mount. For more information, refer to "[Removing the Front PIN Pad Mount](#)" on page 9.
2. Align and insert the studs of the Blanking Plate into the corresponding holes on the Scanner Top Plate (Plastic), as shown in the image below.



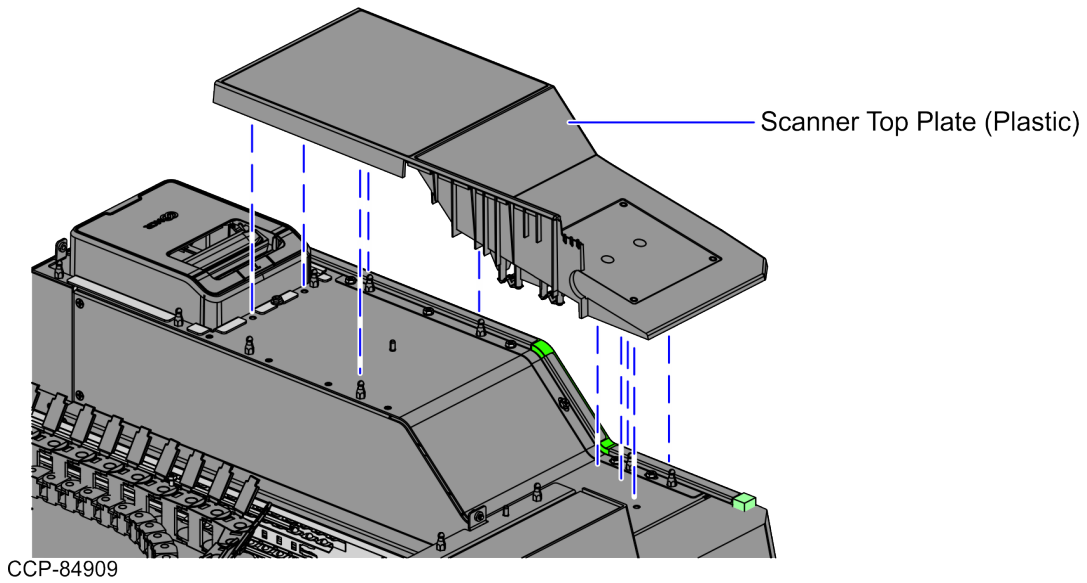
3. Secure the Blanking Plate using four (4) nuts from the rear of the Scanner Top Plate (Plastic).



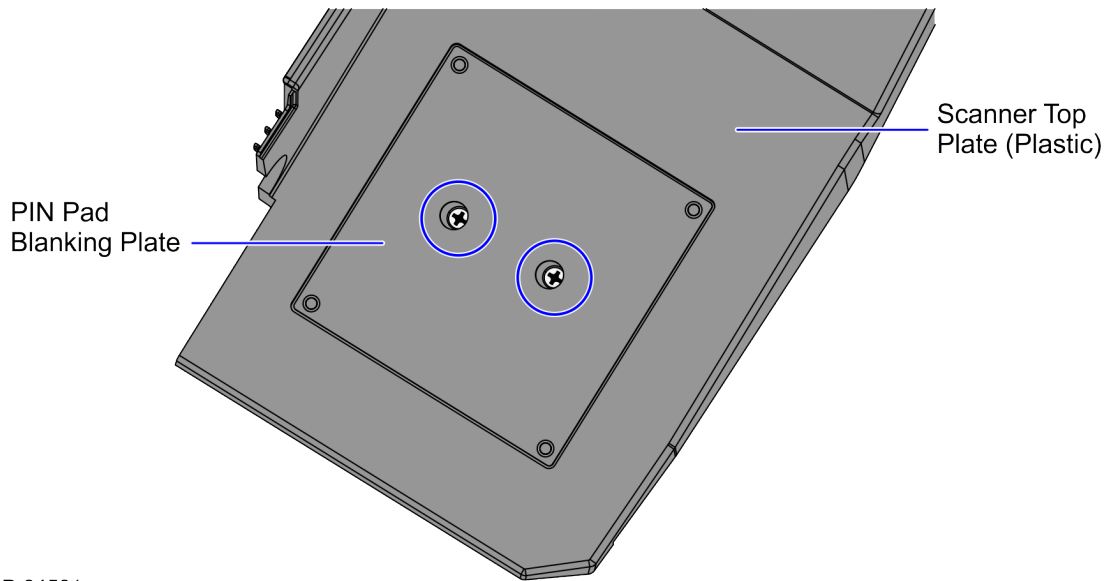
Confidential and proprietary information of NCR Voyix.

Use and disclose solely pursuant to company instructions.

4. Install the Scanner Top Plate (Plastic) from the Core (Cabinet), as shown in the image below.

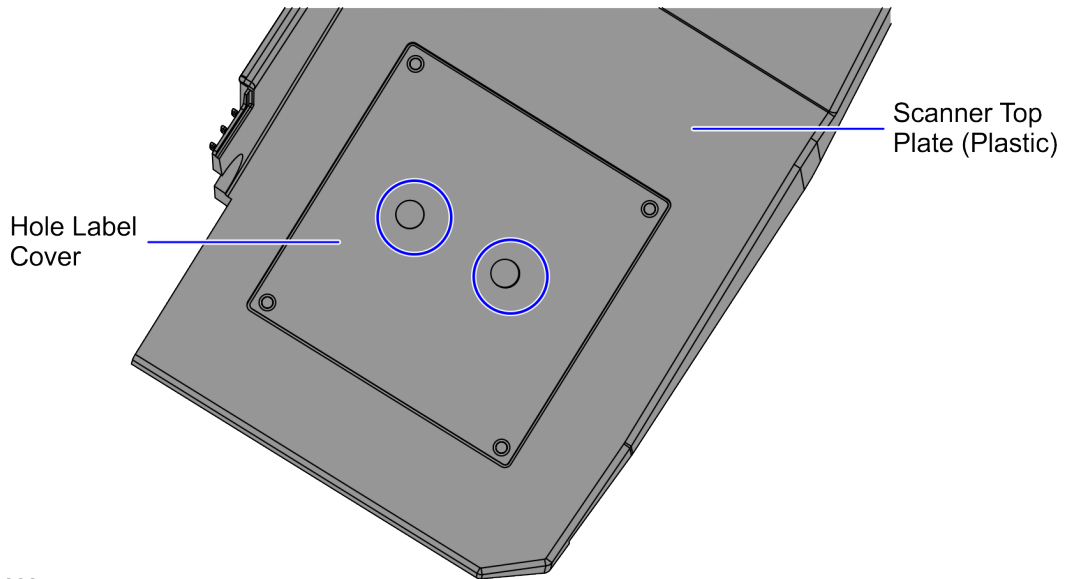


5. Install two (2) screws on the Blanking Plate, as shown in the image below.



Confidential and proprietary information of NCR Voyix.
Use and disclose solely pursuant to company instructions.

6. Cover the two (2) holes on the Blanking Plate with two (2) Hole Cover labels, as shown in the image below.

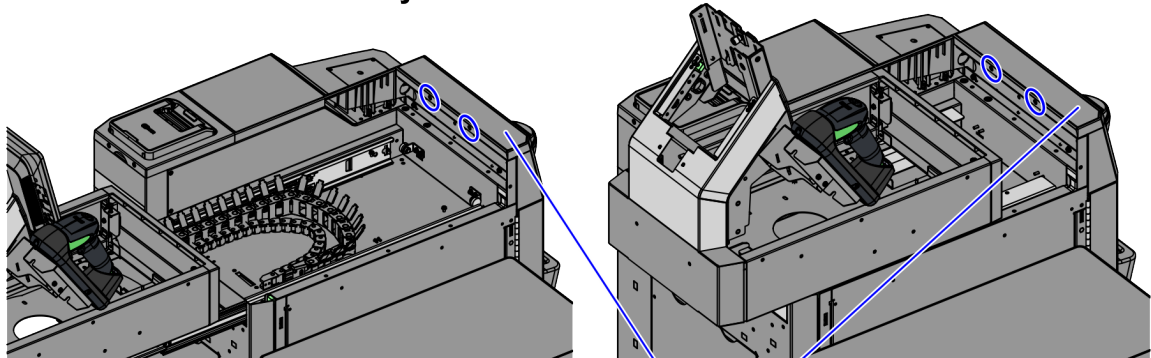


CCP-84908

7. Install the Scanner Top Plate Fascia on the Core (Cabinet) and then secure using two (2) screws.

7371 SCO Full Function Hybrid

7371 SCO Full Function

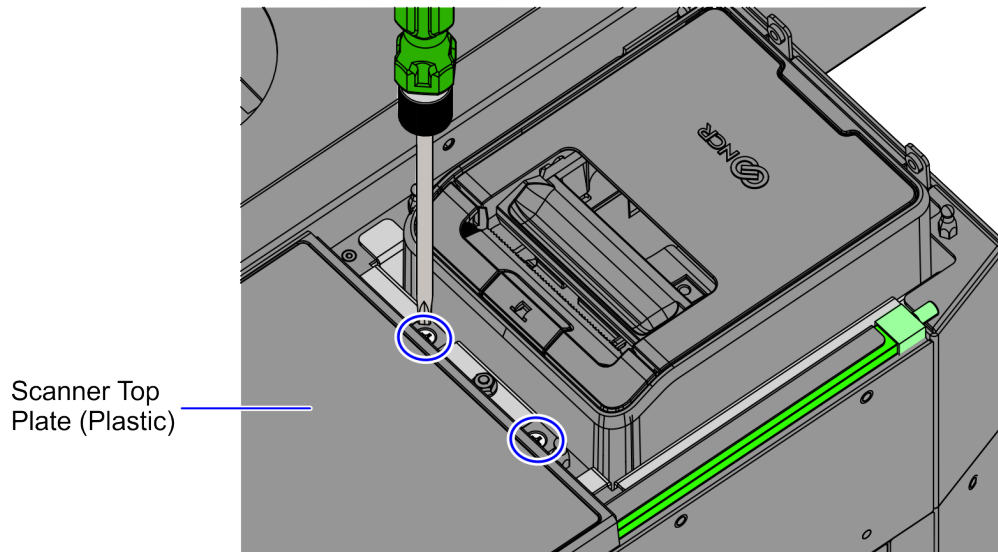


CCP-84595

Confidential and proprietary information of NCR Voyix.

Use and disclose solely pursuant to company instructions.

- Secure the Scanner Top Plate (Plastic) using two (2) screws to the Core (Cabinet), as shown in the image below.



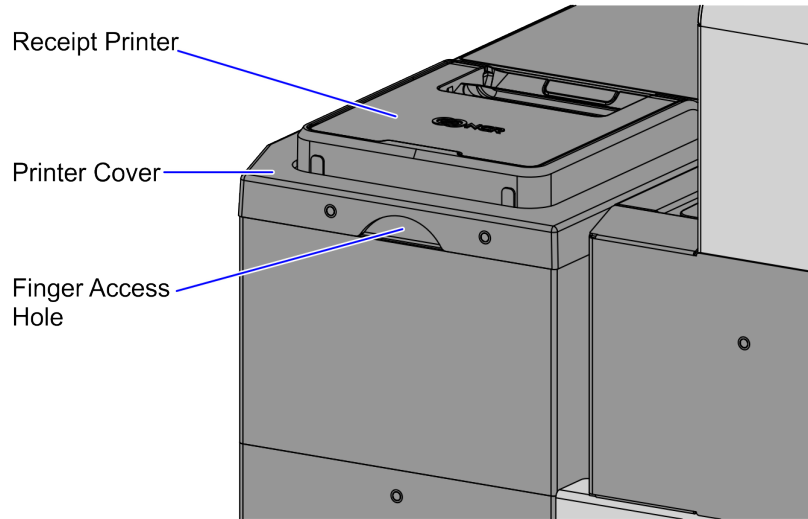
CCP-84573

Confidential and proprietary information of NCR Voyix.

Use and disclose solely pursuant to company instructions.

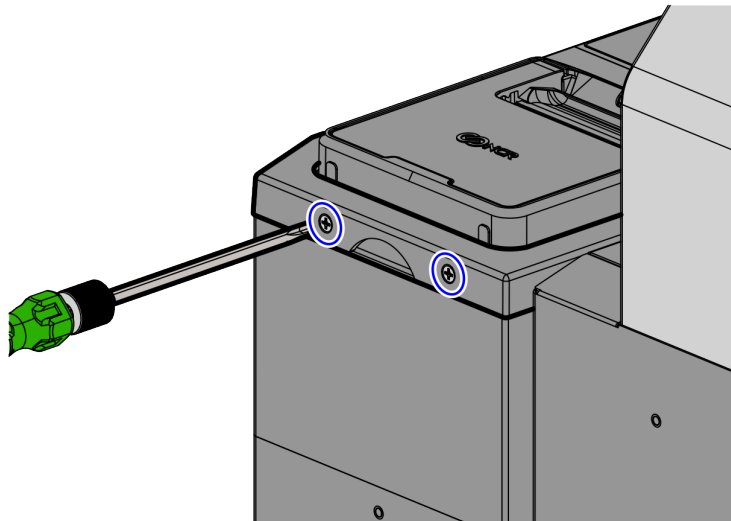
9. Install the Printer Cover by doing the following:

- a. Hold the Finger Access hole to attach the Printer Cover on the Receipt Printer.



CCP-84572

- a. Secure the Printer Cover to the Core (Cabinet) using two (2) screws, as shown in the image below.



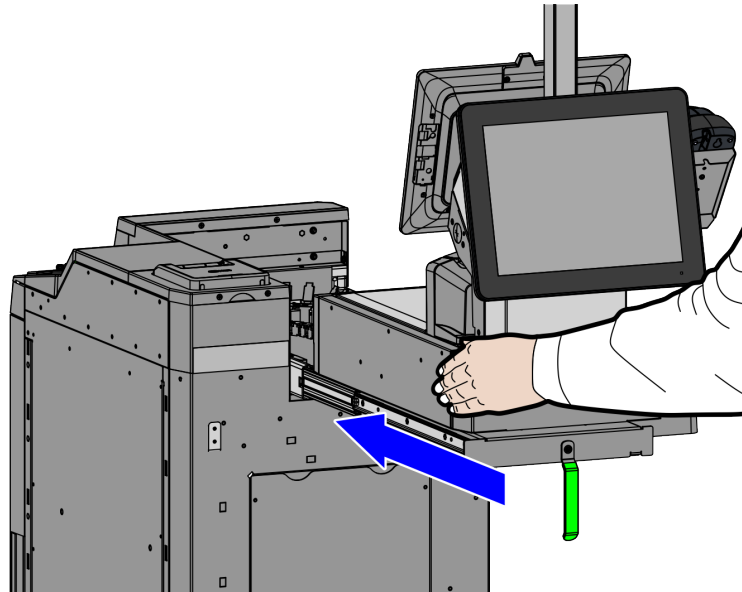
CCP-84571

Confidential and proprietary information of NCR Voyix.

Use and disclose solely pursuant to company instructions.

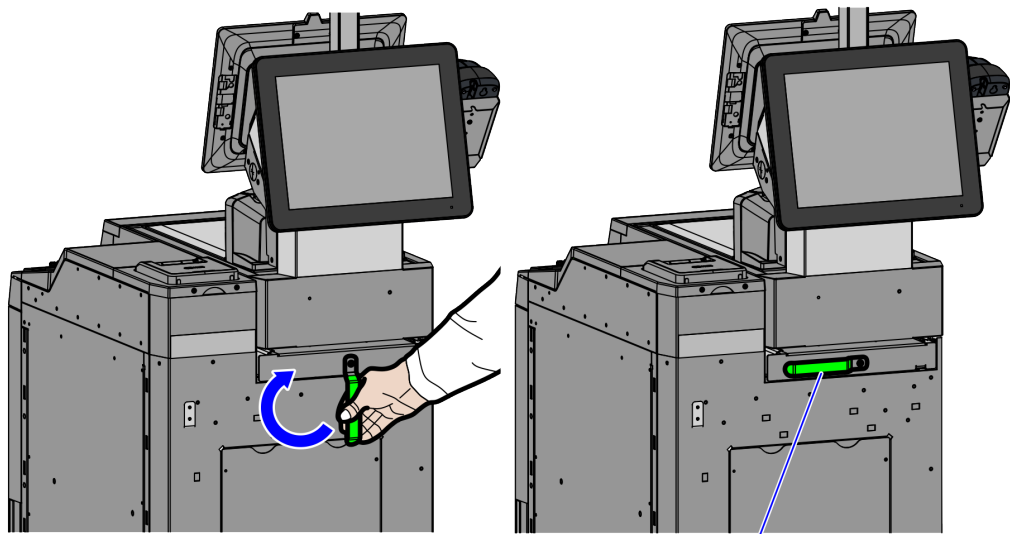
1. Depending on the unit, do either of the following:

- If the unit is a SCO Full Function Hybrid, do the follow these steps:
 - a. Push the Tower assembly back into the Scanner Bucket.



CCP-83199

- a. Turn the Conversion Handle to the left to lock the Tower assembly into the Scanner Bucket, as shown in the image below.



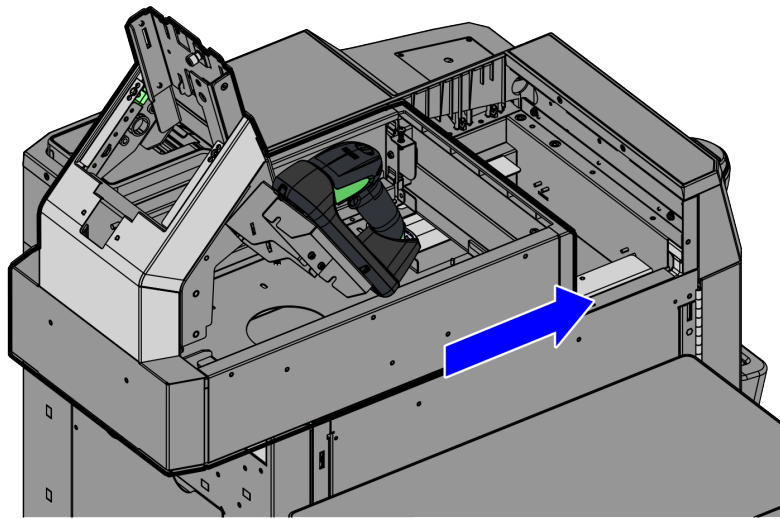
CCP-84400

Conversion Handle

Confidential and proprietary information of NCR Voyix.

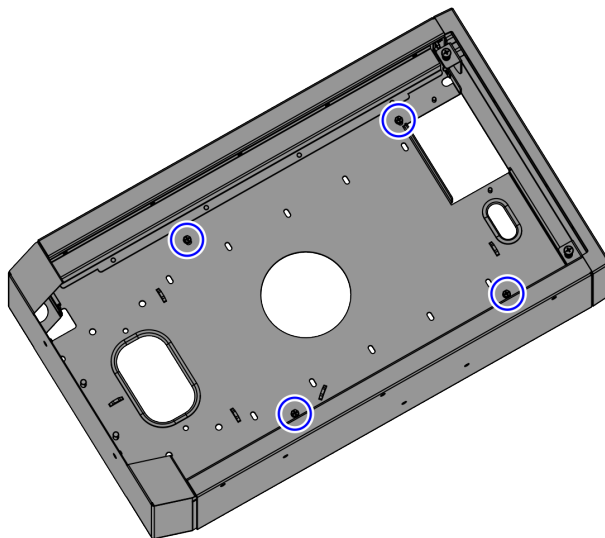
Use and disclose solely pursuant to company instructions.

- If the unit is a SCO Full Function Fixed, follow these steps:
 - a. Push the Tower Module assembly to the front of the unit, as shown in the image below.



CCP-84597

- b. Secure the Scanner Bucket using four (4) screws, as shown in the image below.



CCP-84574

- c. Install the Scanner/Scale. For more information, refer to ["Installing the 7895 Scanner/Scale"](#) on the next page.

Confidential and proprietary information of NCR Voyix.

Use and disclose solely pursuant to company instructions.

Installing the 7895 Scanner/Scale

To install the NCR 7895 Scanner/Scale in the Self-Checkout unit, follow these steps:

 **Note**

Remove the existing 7895 Scanner/Scale. To streamline the installation procedure, install the Electronic Article Surveillance (EAS) components before installing the Scanner/Scale in the Self-Checkout unit.

1. Check and ensure that the leveling screws of the Scanner/Scale are leveled. If necessary, adjust the four (4) leveling screws located on the bottom of the device.
1. Connect the cables to their corresponding ports on the Scanner/Scale.

 **Caution**

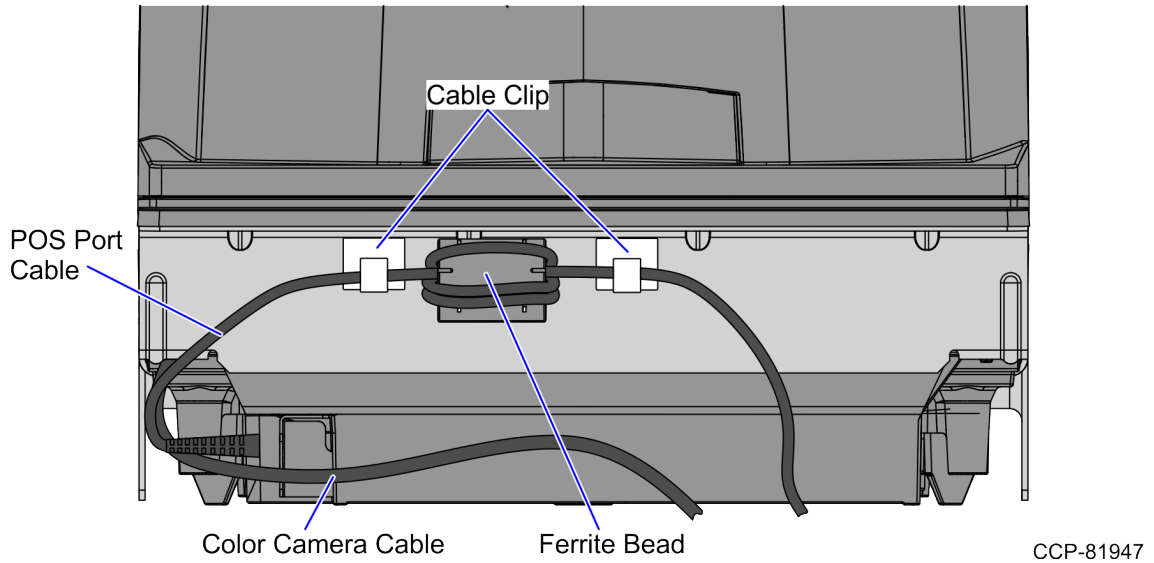
Check and ensure that the right cables are correctly plugged into the Scanner/Scale Ports.

Cable	Scanner/Scale Port
Camera cable Note The Color Camera USB Cable is not shipped with the 7895 Scanner/Scale unit. It is purchased separately and needs to be installed during the initial setup of the unit.	Internal Port
Main cable	POS Port
Scale Display (if applicable)	7895 Single or Dual Head Scale Pole Display

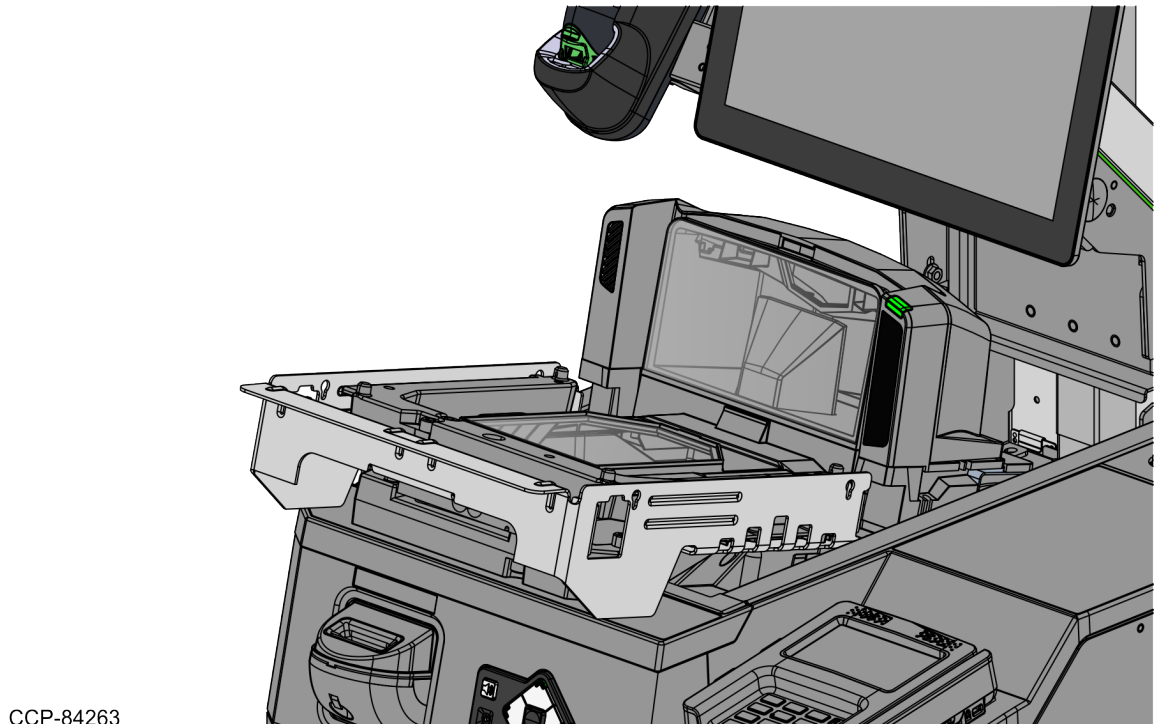
Confidential and proprietary information of NCR Voyix.

Use and disclose solely pursuant to company instructions.

2. Route the POS Port cable to the rear of the Scanner/Scale and secure the cable at each end of the Ferrite Bead to the corresponding cable clips, as shown in the image below.



3. Tilt the Scanner/Scale while placing it in the Scanner Bucket, as shown in the image below.



Confidential and proprietary information of NCR Voyix.

Use and disclose solely pursuant to company instructions.

4. Install the Scanner/Scale Top Plate. For more information, refer to "[Installing the 7895 Scanner/Scale Top Plate](#)" on page 27.

 **Caution**

The Top of the Top Plate is still part of the weighing surface. Ensure that the cables are not touching the Top of the Top Plate.

 **Note**

The Scanner/Scale must be calibrated before the system goes live. For more information, refer to [NCR 7895 Scanner/Scale Calibration Quick Reference Guide](#) (BCC5-0000-5605).

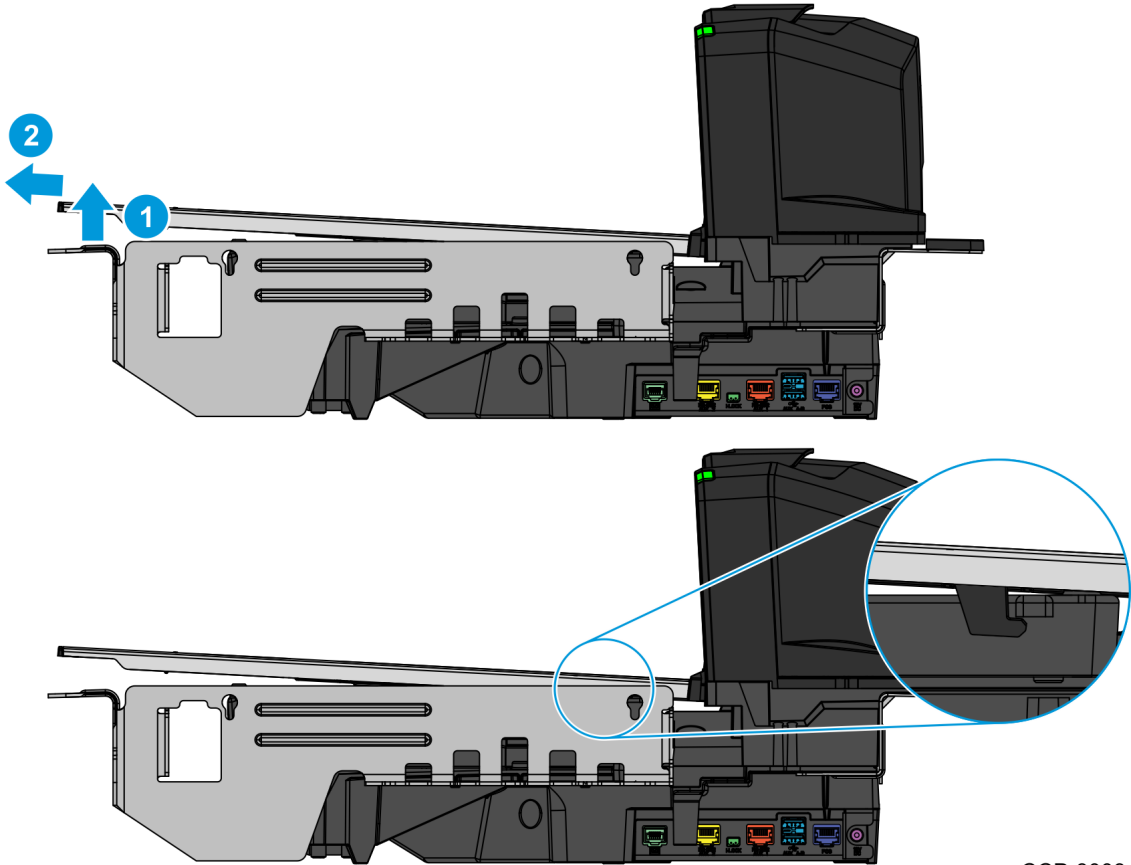
Confidential and proprietary information of NCR Voyix.

Use and disclose solely pursuant to company instructions.

Removing the 7895 Scanner/Scale Top Plate

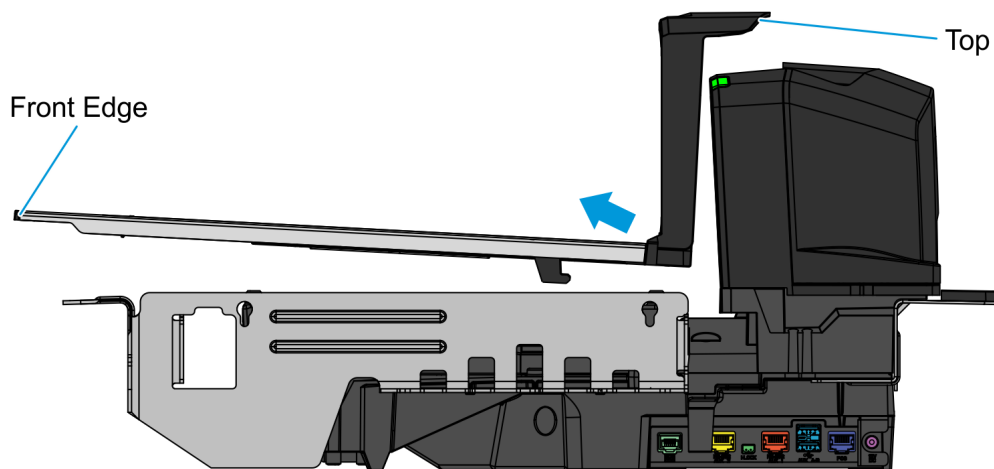
To remove the 7895 Scanner/Scale Top Plate, follow these steps:

1. Slightly lift up the front edge of the Top Plate and slide the Top Plate forward until its hooks are released from the positioning tabs on the scale.



CCP-80081

2. Hold the front edge and the top of the Top Plate to lift it off the Scanner/Scale.



CCP-80080

Confidential and proprietary information of NCR Voyix.

Use and disclose solely pursuant to company instructions.

Installing the 7895 Scanner/Scale Top Plate

To install the 7895 Scanner/Scale Top Plate, follow these steps:

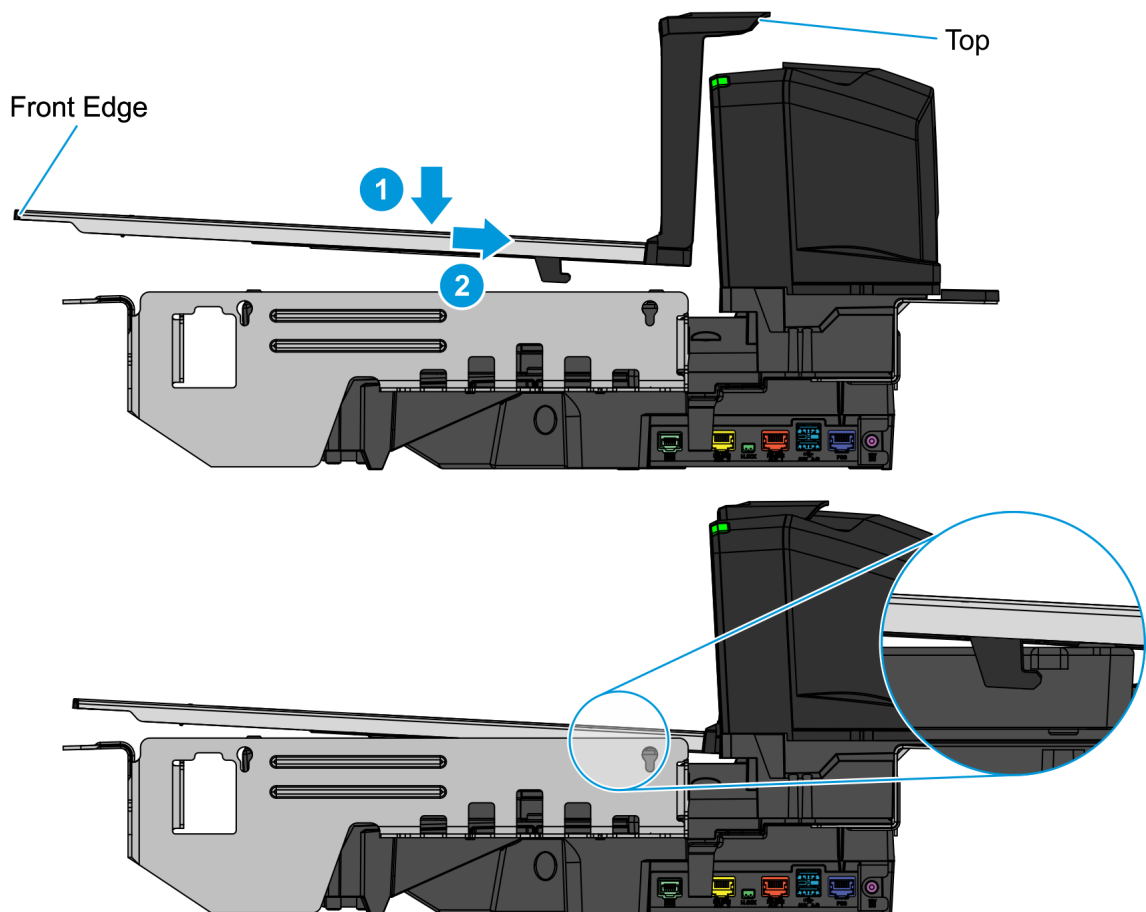
Note

If necessary, remove the Scanner/Scale from the unit and adjust the leveling feet.

1. Hold the front edge and the top of the Top Plate while slightly tilting the Top Plate and then position the Top Plate on top of the scanner base.
2. Slide the Top Plate onto the scanner base until the hooks on the bottom of the Top Plate are positioned under the tabs on the scale.

Caution

The Top of the Top Plate is still part of the weighing surface. Ensure that the cables are not touching the Top of the Top Plate.

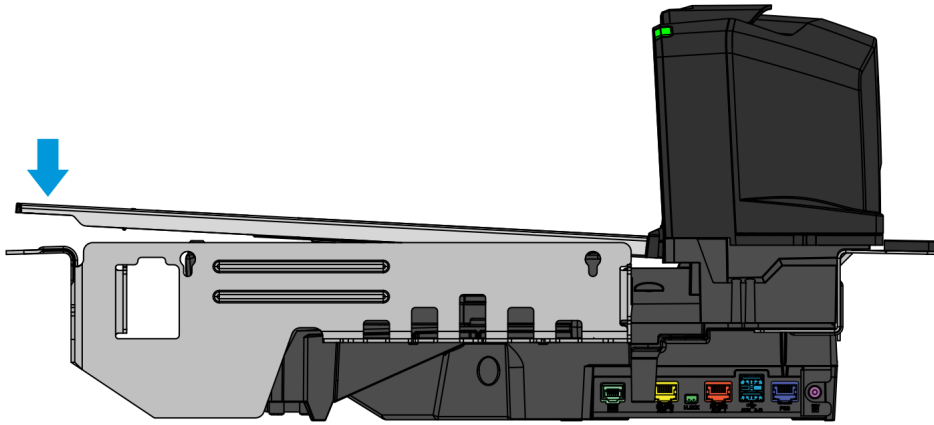


CCP-80079

Confidential and proprietary information of NCR Voyix.

Use and disclose solely pursuant to company instructions.

1. Lower the front edge of the Top Plate until the Top Plate sits securely on the scanner base.



CCP-80078

Confidential and proprietary information of NCR Voyix.

Use and disclose solely pursuant to company instructions.