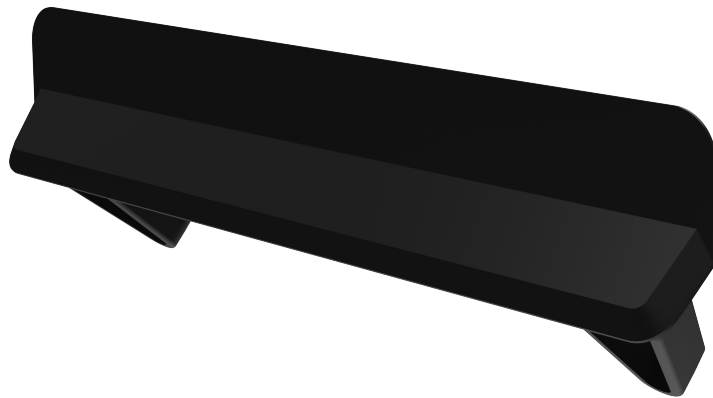




Kit Instructions

Coupon Bin Blank (Multipack)



7371-K320

Issue A

The product described in this document is a licensed product of NCR Corporation.

NCR is a registered trademark of NCR Corporation. NCR Self-Checkout Hardware is a trademark of NCR Corporation in the United States and/or other countries. Other product names mentioned in this publication may be trademarks or registered trademarks of their respective companies and are hereby acknowledged.

The terms HDMI and HDMI High-Definition Multimedia Interface, and the HDMI Logo are trademarks or registered trademarks of HDMI Licensing LLC in the United States and other countries.

Where creation of derivative works, modifications or copies of this NCR copyrighted documentation is permitted under the terms and conditions of an agreement you have with NCR, NCR's copyright notice must be included.

It is the policy of NCR Corporation (NCR) to improve products as new technology, components, software, and firmware become available. NCR, therefore, reserves the right to change specifications without prior notice.

All features, functions, and operations described herein may not be marketed by NCR in all parts of the world. In some instances, photographs are of equipment prototypes. Therefore, before using this document, consult with your NCR representative or NCR office for information that is applicable and current.

Copyright © 2023

By NCR Corporation
Global Headquarters
864 Spring St. NW
Atlanta, GA 30308
United States
All Rights Reserved

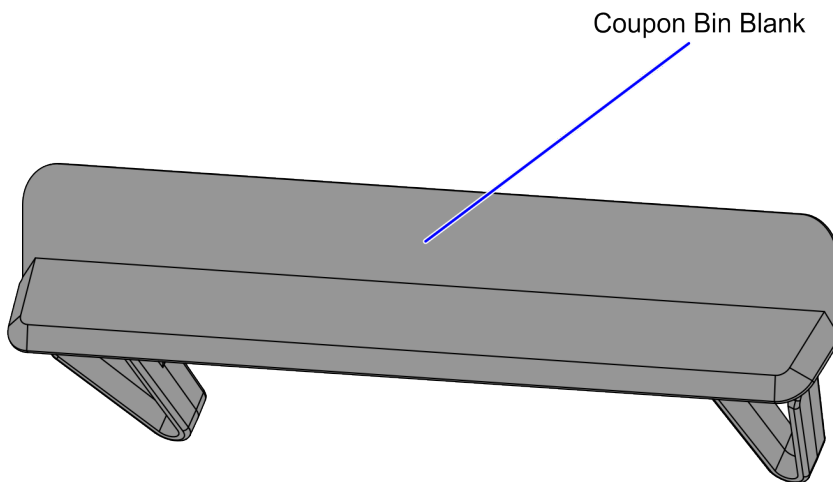
Revision Record

| Issue | Date | Remarks |
|-------|----------|--------------|
| A | Oct 2023 | First issue. |
| | | |

Coupon Bin Blank (Multipack)

This publication provides procedures on installing a Coupon Bin Blank to the 7371 NCR Self-Checkout Hardware.

Kit Contents



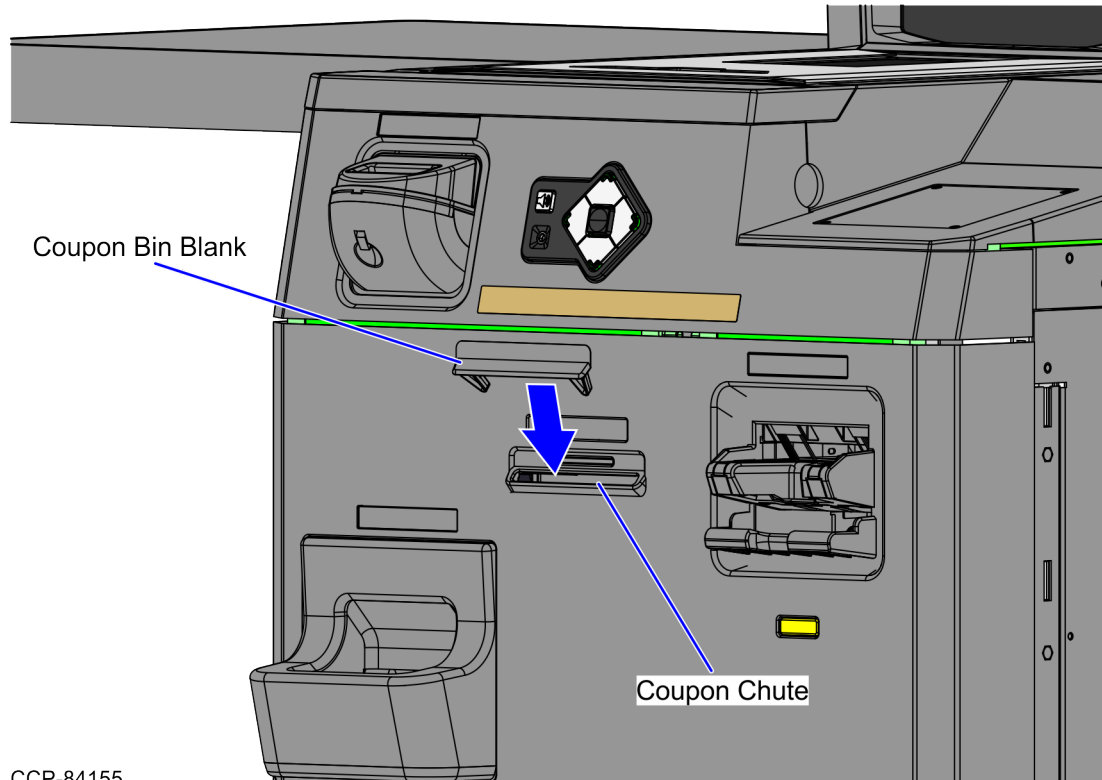
CCP-84155

| Part Number | Description |
|--------------|--|
| 497-0534953 | 7371-K320 Coupon Bin Blank - Multipack |
| 497-0533449 | Coupon Blank (5 pcs) |
| *497-0423108 | Instructions Kit (Reference Sheet) |

* Items marked with an asterisk are not called out on the image.

Installation Procedure

To install the Coupon Bin Blank, mount the Coupon Bin Blank by snapping it on the Coupon Chute slot



CCP-84155

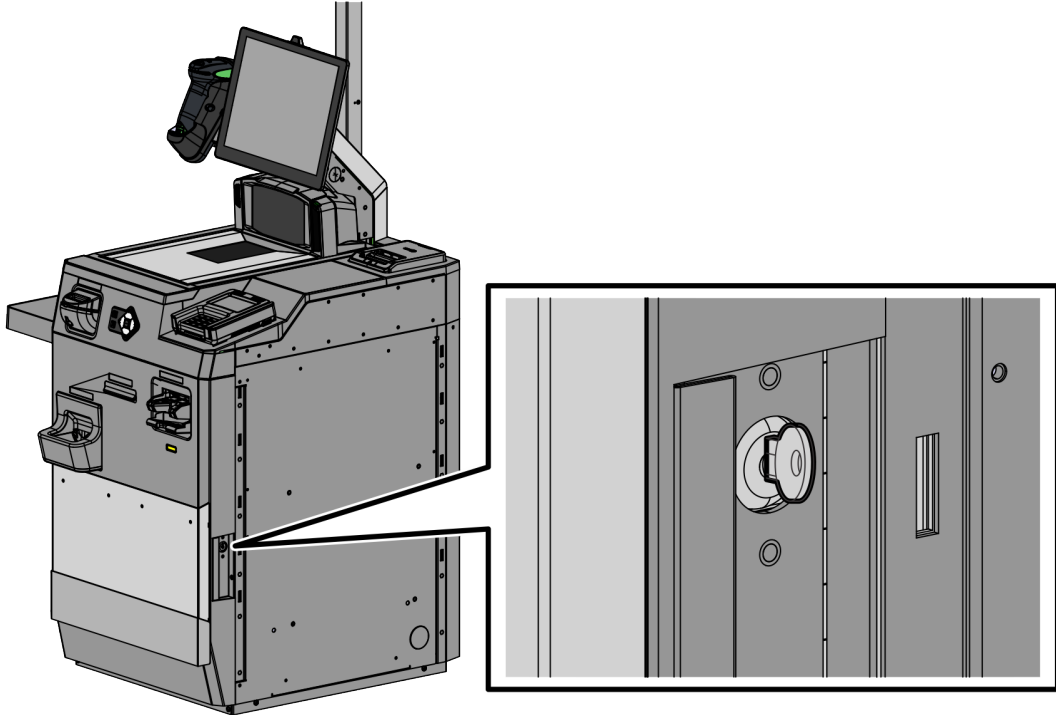
i Note

To remove the Coupon Bin Blank, refer to [Removing the Coupon Bin Blank on the next page.](#)

Removing the Coupon Bin Blank

To remove the Coupon Bin Blank, follow these steps:

1. Unlock and open the Cosmetic Door using a key.



CCP-82806

2. Hold and press the self-locking mechanism at the back of the Coupon Bin Blank to release it from the Coupon Chute.

