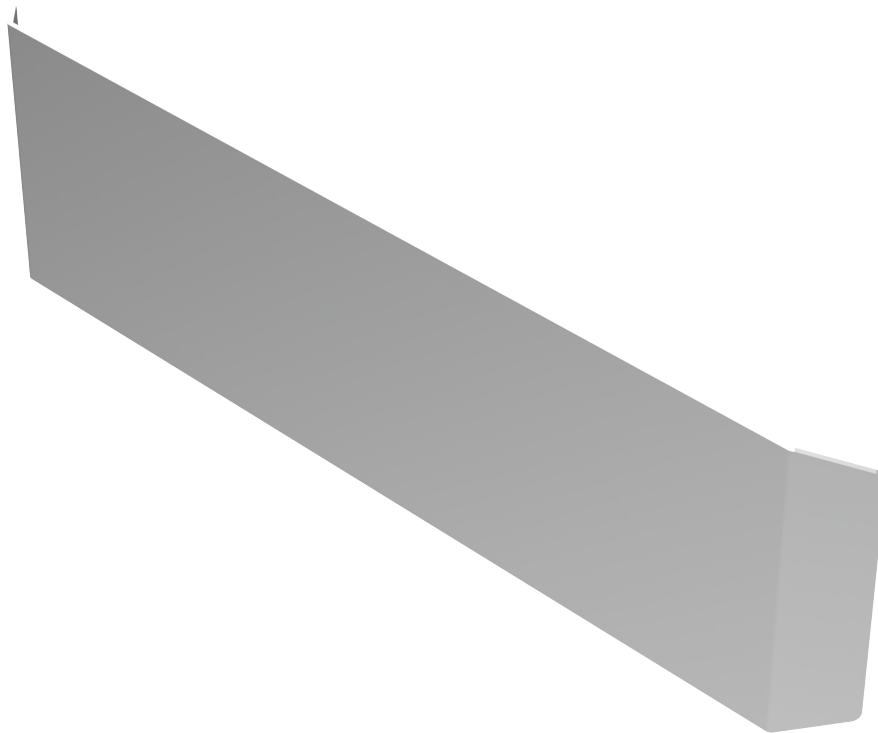




# Kit Instructions

## 1-Bag Front Bagwell Bumper

---



7371-K209

Issue A

# Copyright and Trademark Information

---

The product described in this document is a licensed product of NCR Voyix Corporation.

NCR Voyix SCO Hardware is a trademark of NCR Voyix Corporation in the United States and/or other countries. Other product names mentioned in this publication may be trademarks or registered trademarks of their respective companies and are hereby acknowledged.

Where creation of derivative works, modifications or copies of this NCR Voyix copyrighted documentation is permitted under the terms and conditions of an agreement you have with NCR Voyix, NCR Voyix's copyright notice must be included.

Disclaimer:

It is the policy of NCR Voyix Corporation to improve products as technology, components, software and firmware become available. NCR Voyix therefore reserves the right to change specifications without prior notice.

All features, functions and operations described herein may not be marketed by NCR Voyix in all parts of the world. In some instances, photographs are of equipment prototypes.

Therefore, before using this document, consult with your NCR Voyix representative or NCR Voyix office for information that is applicable and current.

© 2025

By NCR Voyix Corporation

Atlanta, Georgia, USA

All Rights Reserved

# Revision Record

---

Issue	Date	Remarks
A	Feb 2025	First issue.

# 1-Bag Front Bagwell Bumper

This publication provides procedures for installing the 7371-K209 1-Bag Front Bagwell Bumper to the Bagwell.

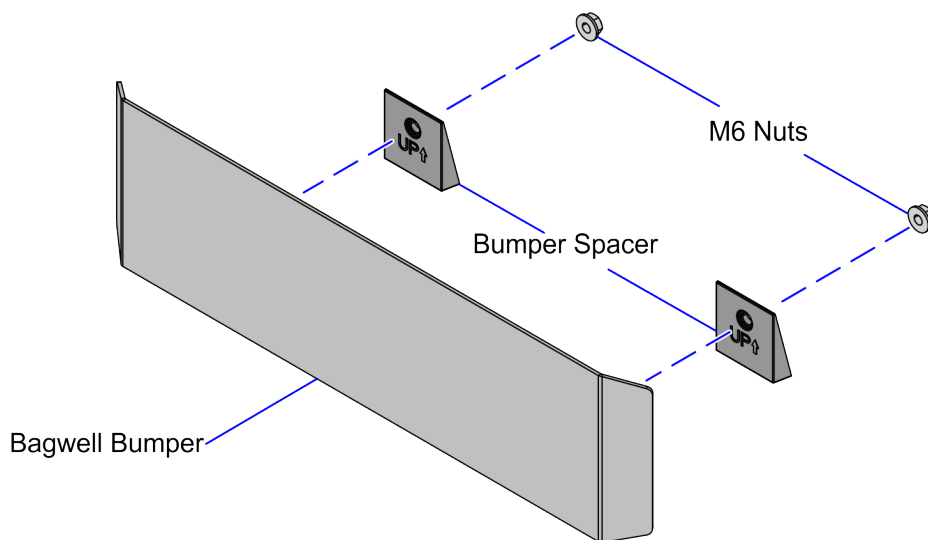


## Note

The 7371-K209 1-Bag Front Bagwell Bumper kit is only compatible to units using any of the following Bagwell kits:

- [7371-K201 1-Bag Bagwell \(With Scale\)](#)
- [7371-K203 1-Bag Bagwell \(Non-Scale Tray\)](#)

## Kit Contents



CCP-84876

Part Number	Description
497-0537224	7371-K209 Kit - 1 Bag Bumper - Front Only
497-0534270	Bumper , Spacer (2 Pcs)
497-0534269	Bagwell, Bumper
006-8628707	Serrated Nut - Self Locking (M6, 6 (2 Pcs)

Confidential and proprietary information of NCR Voyix.  
Use and disclose solely pursuant to company instructions.

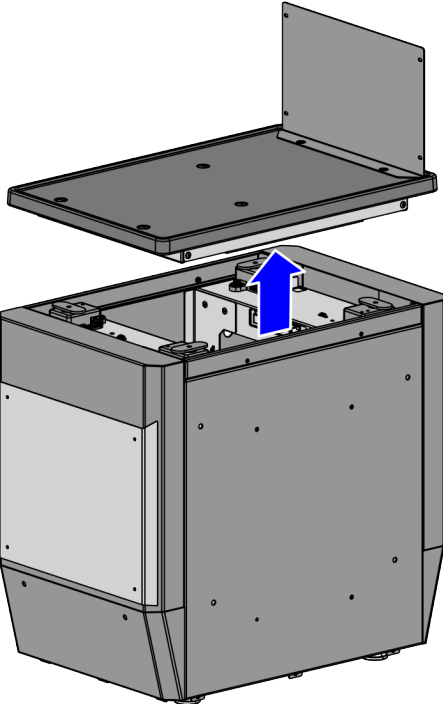
Part Number	Description
* 497-0534680	Roll End Folder, 376 X 105 X 33 Mm Id

\* Items marked with an asterisk are not called out on the image.

# Installation Procedure

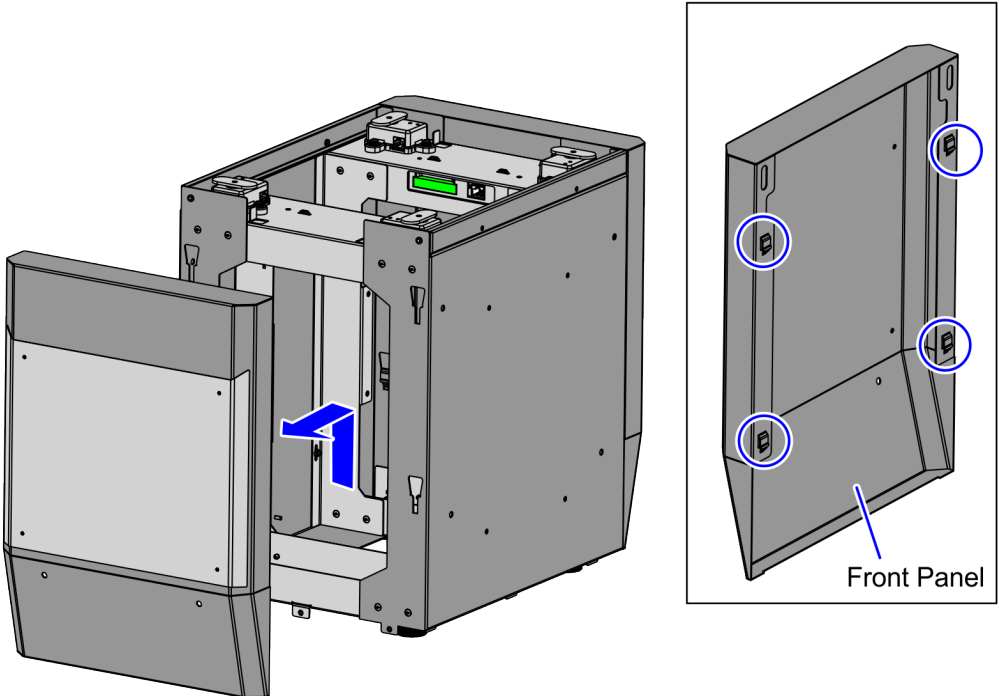
To install the 7371-K209 Front Bagwell Bumper, follow these steps:

1. Lift and remove the Scale Tray from the Bagwell.



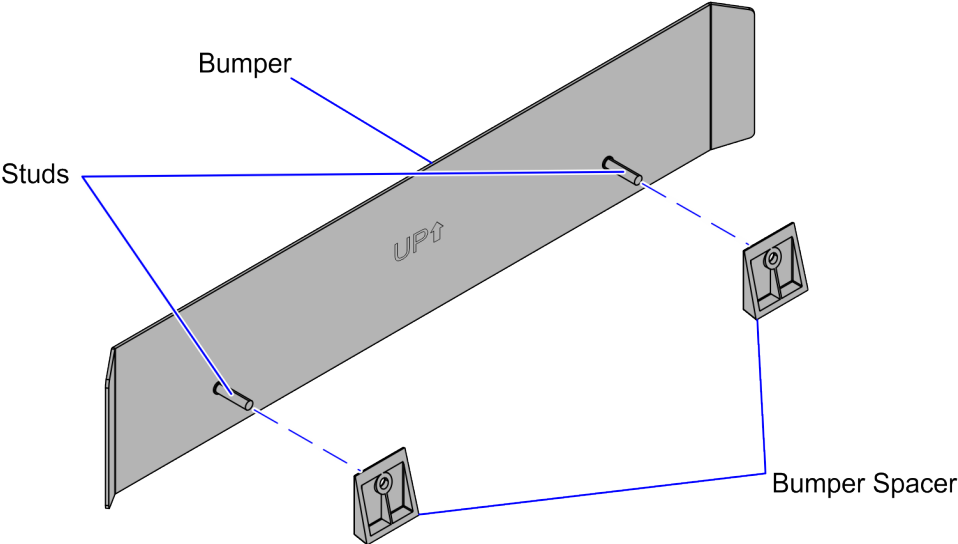
CCP-85148

2. Pull the Front panel up to disengage all four (4) clips of the panel from the Bagwell Frame, as shown in the image below.



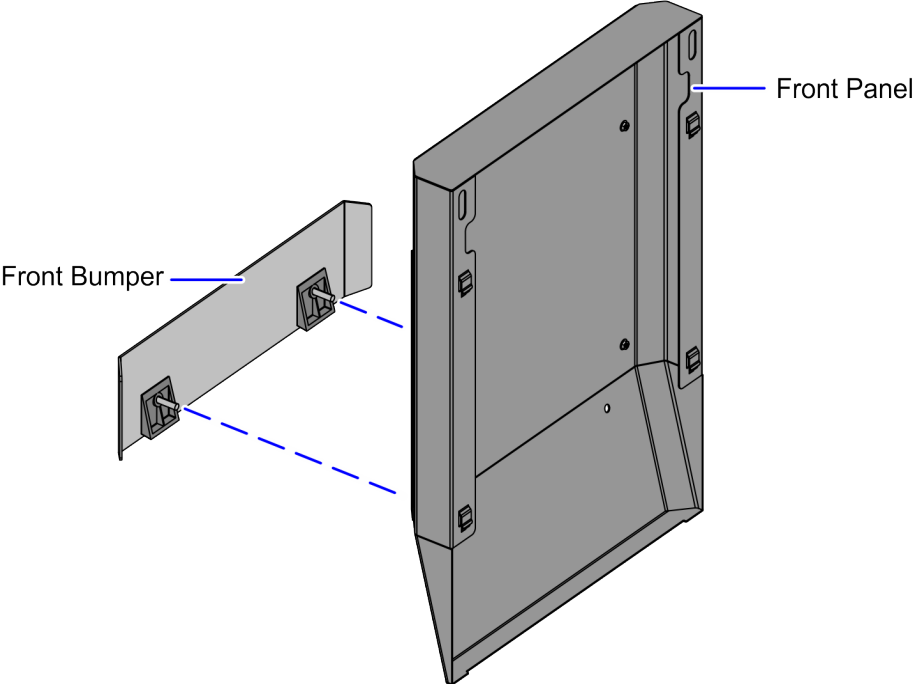
CCP-85134

1. Attach the Bumper Spacers to each Bumper stud.



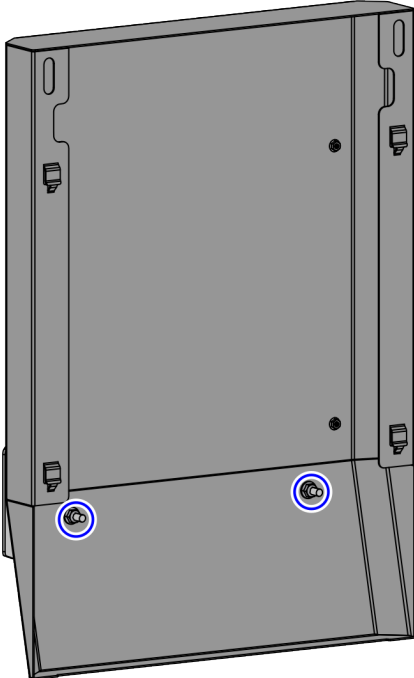
CCP-83093

- 2. Insert the Bumper Studs with Spacers into the corresponding holes on the Bagwell Front Panel, as shown in the image below.



CCP-85144

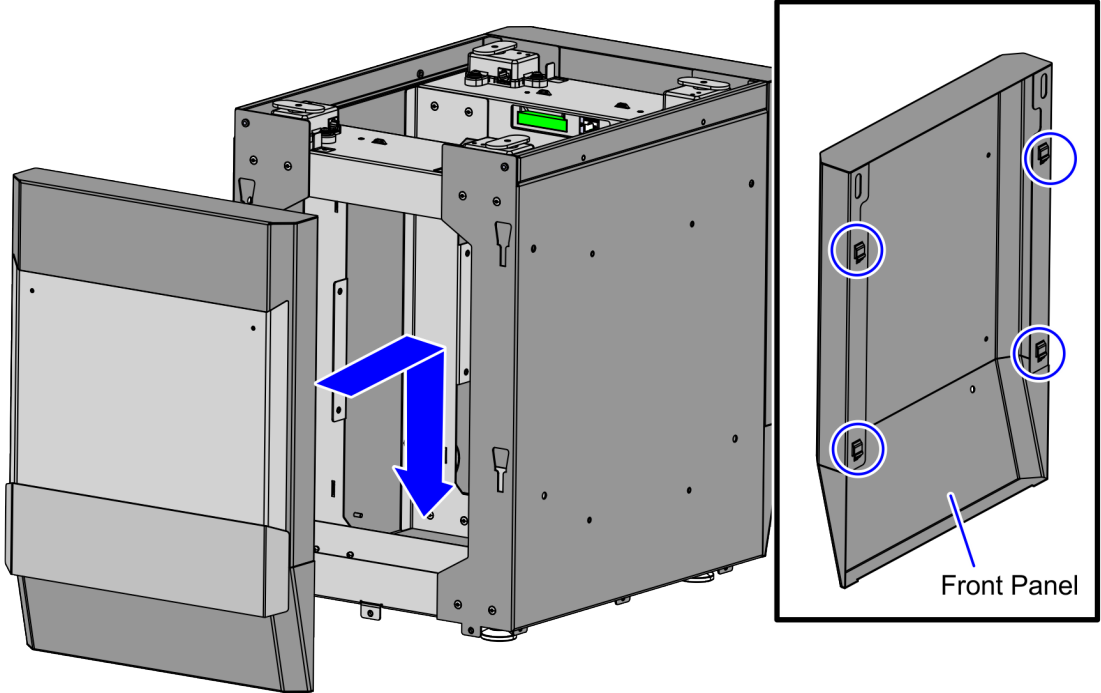
- 3. Secure the Bumper assembly to the Bagwell Front Panel using two (2) nuts.



CCP-85145

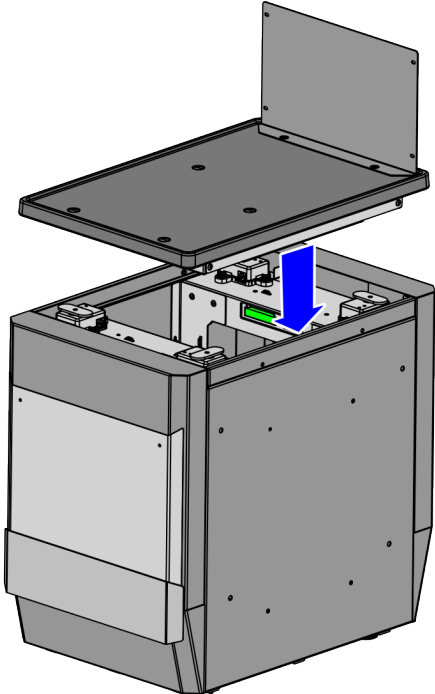


- 4. Mount and slide down the Front Panel onto the Bagwell Frame until all four (4) clips on each panel click and lock into place.



CCP-85146

- 5. Place the Scale Tray with Backsplash on the Bagwell.



CCP-85147