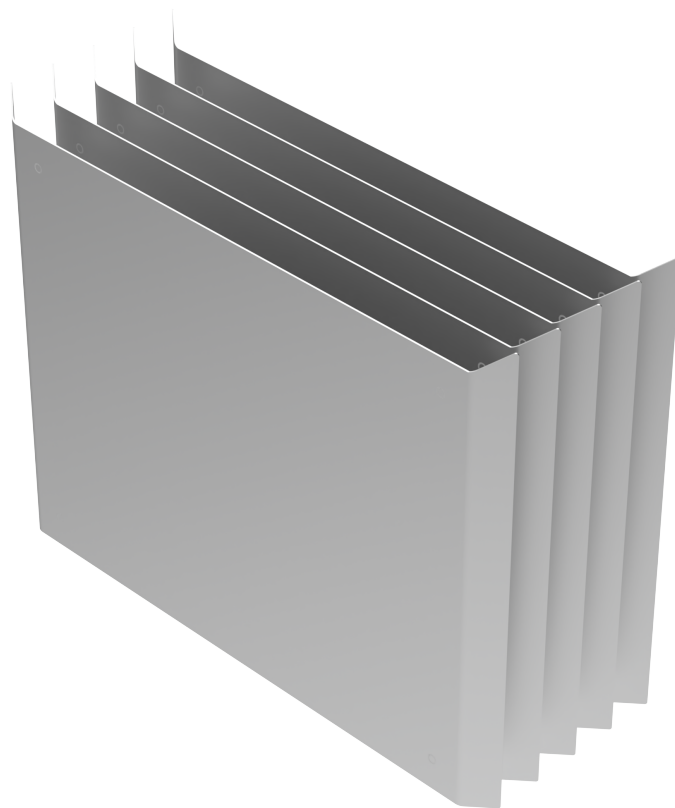




Kit Instructions

1-Bag Bagwell Color Panel Cover (Mid-Impact Silver)



7371-K207

Issue A

Copyright and Trademark Information

The product described in this document is a licensed product of NCR Voyix Corporation.

NCR Voyix SCO Hardware is a trademark of NCR Voyix Corporation in the United States and/or other countries. Other product names mentioned in this publication may be trademarks or registered trademarks of their respective companies and are hereby acknowledged.

Where creation of derivative works, modifications or copies of this NCR Voyix copyrighted documentation is permitted under the terms and conditions of an agreement you have with NCR Voyix, NCR Voyix's copyright notice must be included.

Disclaimer:

It is the policy of NCR Voyix Corporation to improve products as technology, components, software and firmware become available. NCR Voyix therefore reserves the right to change specifications without prior notice.

All features, functions and operations described herein may not be marketed by NCR Voyix in all parts of the world. In some instances, photographs are of equipment prototypes.

Therefore, before using this document, consult with your NCR Voyix representative or NCR Voyix office for information that is applicable and current.

© 2025

By NCR Voyix Corporation

Atlanta, Georgia, USA

All Rights Reserved

Revision Record

Issue	Date	Remarks
A	Feb 2025	First issue.

1-Bag Bagwell Color Panel Cover (Mid Impact Silver)

This publication provides procedures for installing the 7371-K207 1-Bag Bagwell Color (Mid Impact Silver) panel cover to the 7371 Bagwell Panel (Front).

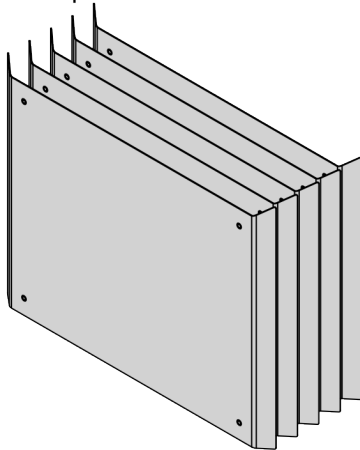
Note

The 7371-K207 1-Bag Bagwell Color Panel Cover (Mid-Impact Silver) is only compatible to units using any of the following Bagwell kits:

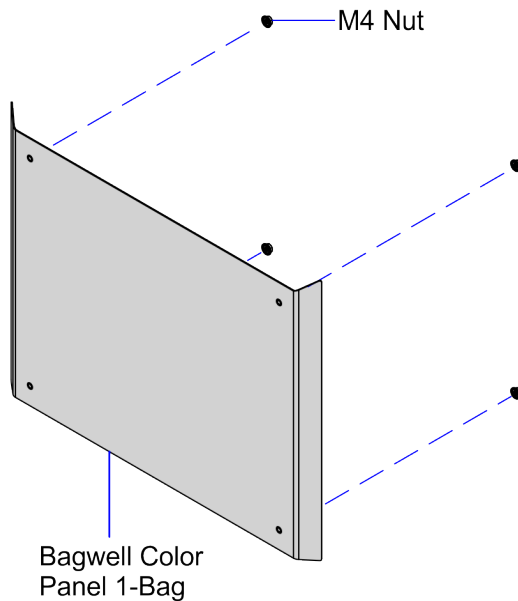
- [7371-K201 1-Bag Bagwell \(With Scale\)](#)
- [7371-K203 1-Bag Bagwell \(Non-Scale Tray\)](#)

Kit Contents

7371-K207
1-Bag Color Panel
Mid-Impact Silver



CCP-84874



Part Number	Description
497-0537222	7371-K207 Kit - 1 Bag Color Panel - Mid-Impact Silver (Qty 5)
006-8628648	Nut - M4 X 0.7Mm Serrated Flange Locknut,Zinc-Plated Steel (20 pcs)

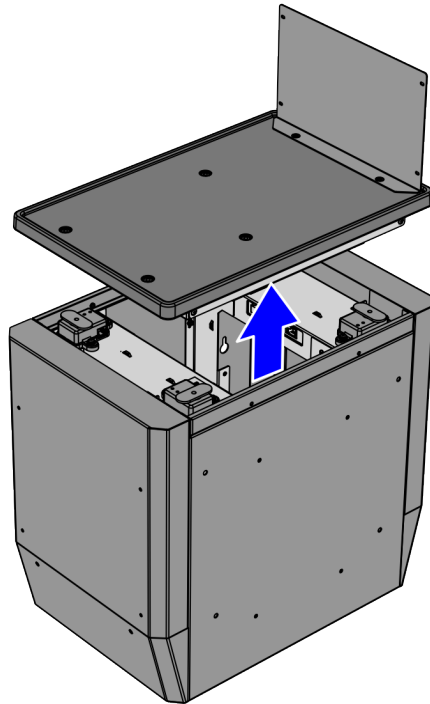
Part Number	Description
795-0302235	Bagwell Color Panel 1-Bag (Mid-Impact Silver) (5 pcs)

* Items marked with an asterisk are not called out on the image.

Installation Procedure

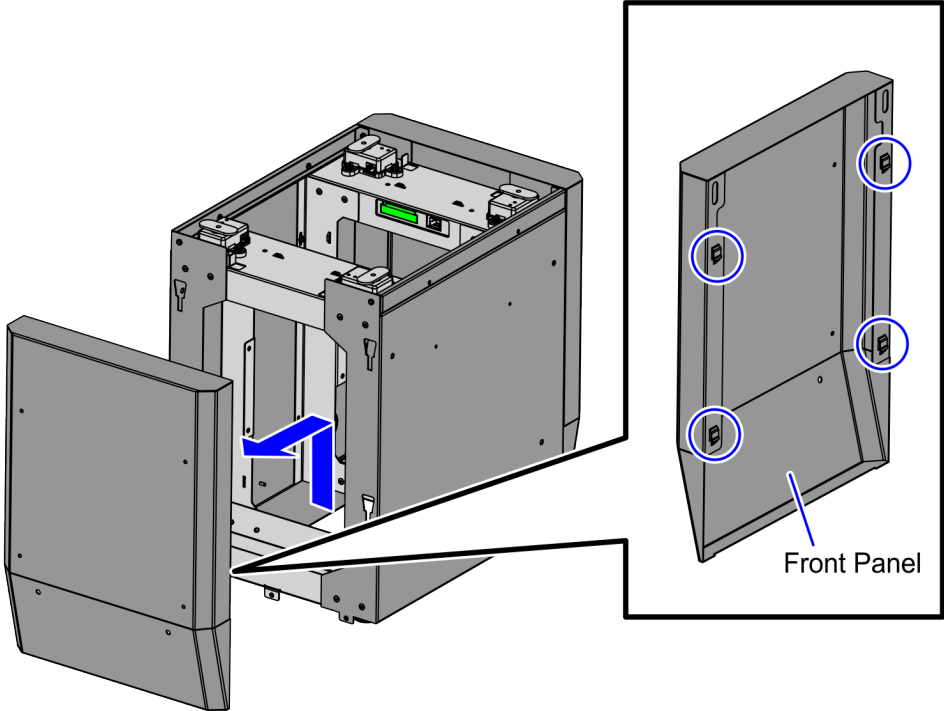
To install the 7371-K207 1-Bag Bagwell Color (Mid Impact Silver) panel cover to the 7371 Bagwell Panel (Front), follow these steps:

1. Lift and remove the Scale Tray from the Bagwell.



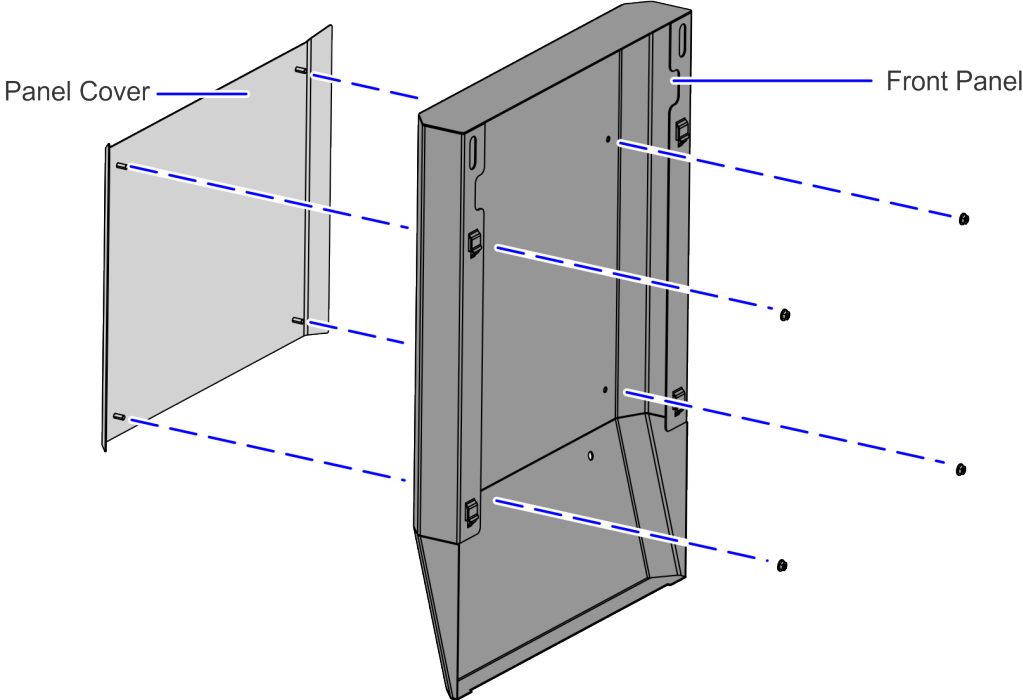
CCP-85127

2. Pull the Front panels up to disengage all four (4) clips of the panel from the Bagwell Frame, as shown in the image below.



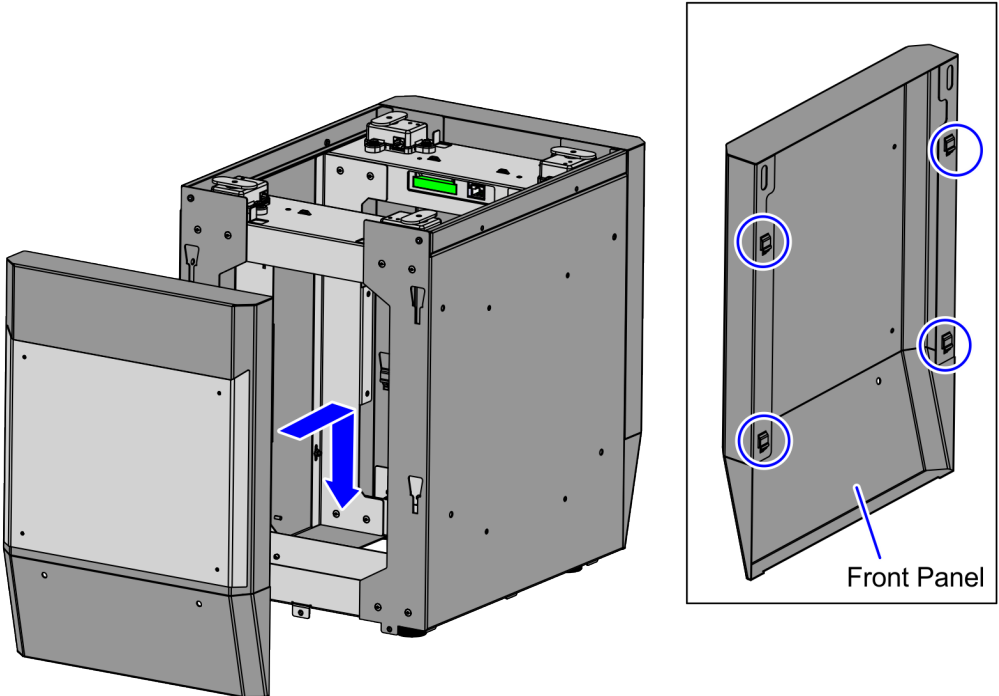
CCP-85128

- 3. Do the following:
 - a. Insert the Bumper studs of the Panel Cover into the corresponding holes on the Front Panel.
 - b. Secure the Panel Cover to the Front Panel using four (4) nuts, as shown in the image below.



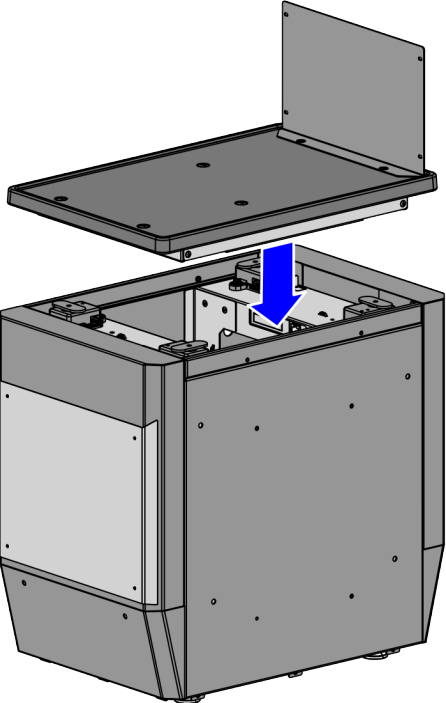
CCP-85129

4. Mount and slide down the Front Panel onto the Bagwell Frame until all four (4) clips on each panel click and lock into place.



CCP-85130

5. Place the Scale Tray with Backsplash on the Bagwell.



CCP-84870