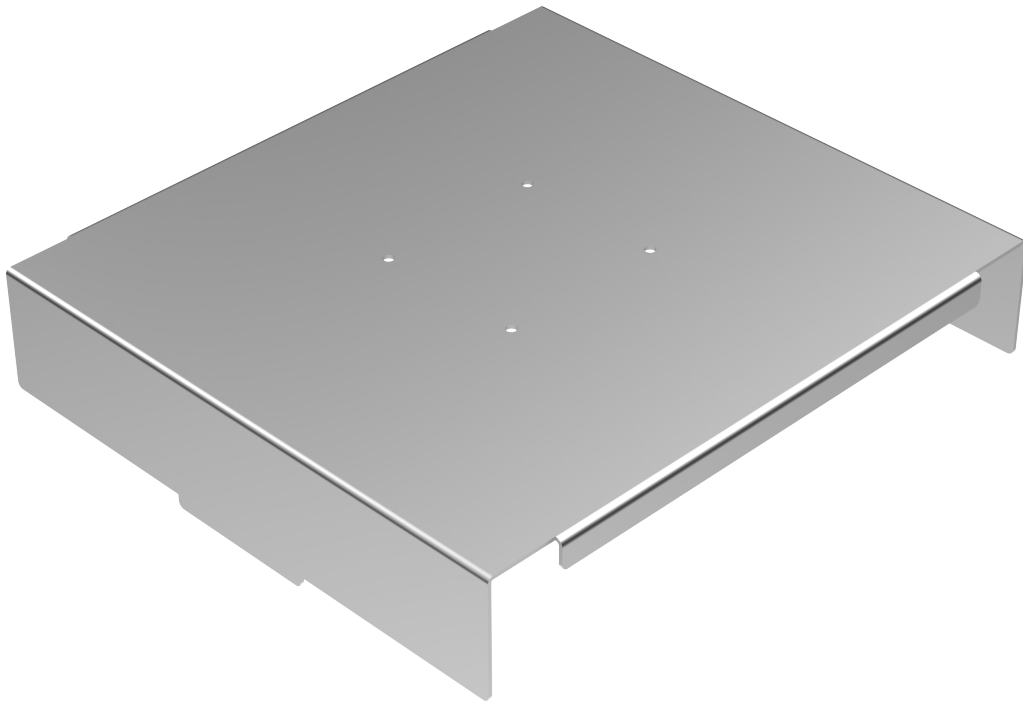




# Kit Instructions

## Bagwell Bottom Shelf

---



7371-K206

Issue A

# Copyright and Trademark Information

---

The product described in this document is a licensed product of NCR Voyix Corporation.

NCR Voyix SCO Hardware is a trademark of NCR Voyix Corporation in the United States and/or other countries. Other product names mentioned in this publication may be trademarks or registered trademarks of their respective companies and are hereby acknowledged.

Where creation of derivative works, modifications or copies of this NCR Voyix copyrighted documentation is permitted under the terms and conditions of an agreement you have with NCR Voyix, NCR Voyix's copyright notice must be included.

Disclaimer:

It is the policy of NCR Voyix Corporation to improve products as technology, components, software and firmware become available. NCR Voyix therefore reserves the right to change specifications without prior notice.

All features, functions and operations described herein may not be marketed by NCR Voyix in all parts of the world. In some instances, photographs are of equipment prototypes.

Therefore, before using this document, consult with your NCR Voyix representative or NCR Voyix office for information that is applicable and current.

© 2025

By NCR Voyix Corporation

Atlanta, Georgia, USA

All Rights Reserved

# Revision Record

---

Issue	Date	Remarks
A	Feb 2025	First issue.

# Bagwell Bottom Shelf

---

This publication provides instructions for installing the 7371-K206 Bagwell Bottom Shelf on the Bagwell of an NCR Voyix SCO Hardware (7371) unit.

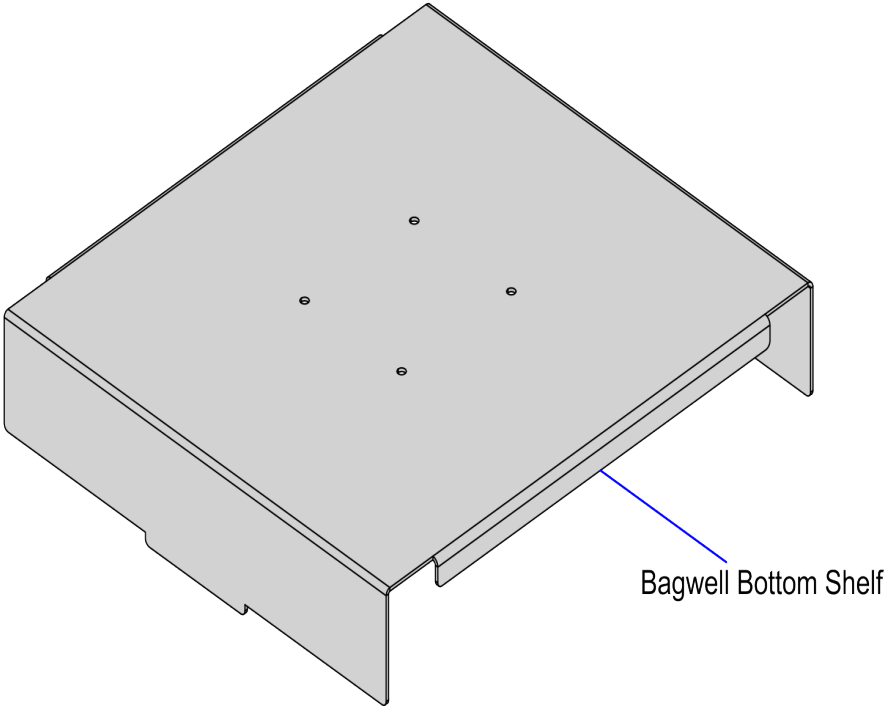


## Note

The 7371-K206 Bagwell Bottom Shelf is only compatible to units using any of the following Bagwell kits:

- [7371-K201 1-Bag Bagwell \(With Scale\)](#)
- [7371-K202 2-Bag Bagwell \(With Scale\)](#)

# Kit Contents



CCP-84873

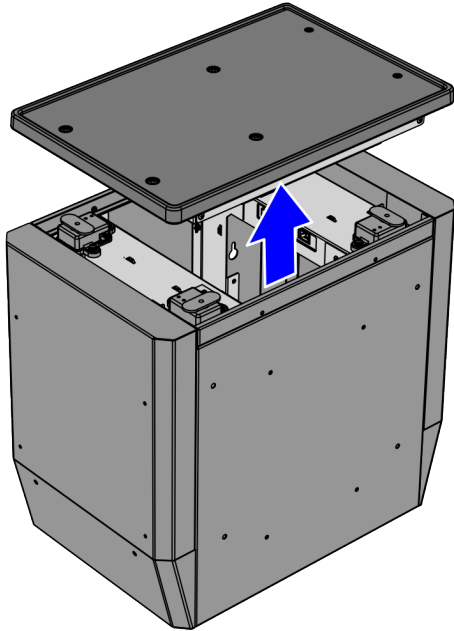
Part Number	Description
497-0537219	7371-K206 Kit -Bagwell Bottom Shelf
497-0536484	Bagwell Bottom Shelf

\* Items marked with an asterisk are not called out on the image.

# Installation Procedure

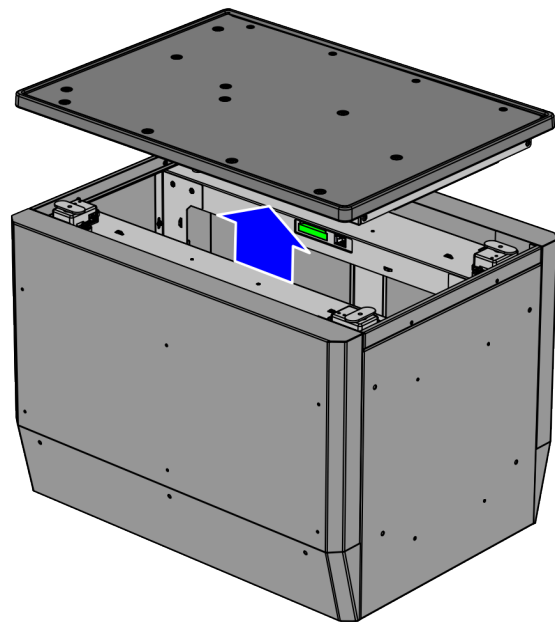
To install the 7371-K206 Bagwell Bottom Shelf, follow these steps:

1. Lift the Scale Tray off the Bagwell and then set it aside.



1-Bag Bagwell

CCP-85122



2-Bag Bagwell

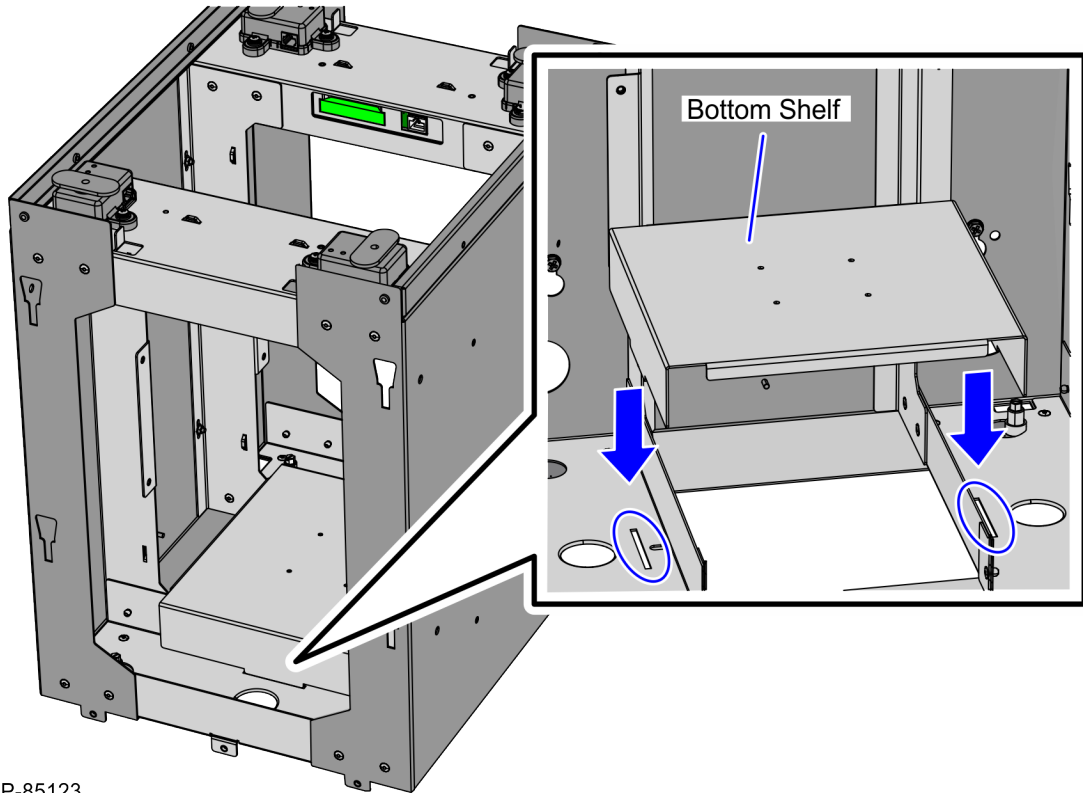
2. Remove the Bagwell Panels (Front and Back). For more information, refer to "[Removing the Bagwell Panels \(Front and Back\)](#)" on page 10.



## Note

This procedure uses images of the Bagwell only for reference. The same procedure applies for both 1-Bag and 2-Bag Bagwells.

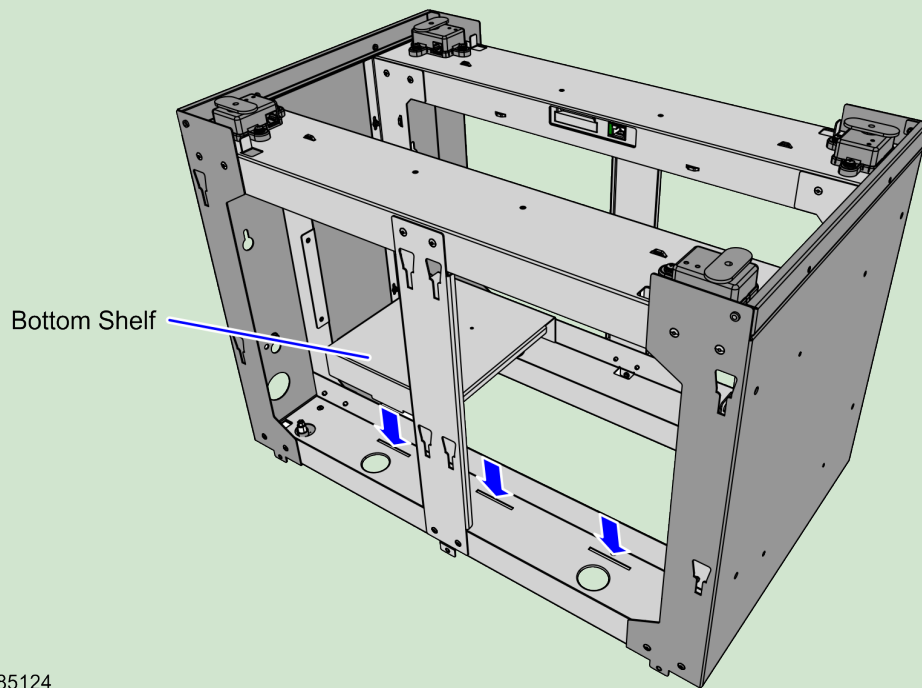
3. Insert the two (2) tabs of the Bottom Shelf into the slots on the bottom frame of the Bagwell, as shown in the image below.



CCP-85123

**Note**

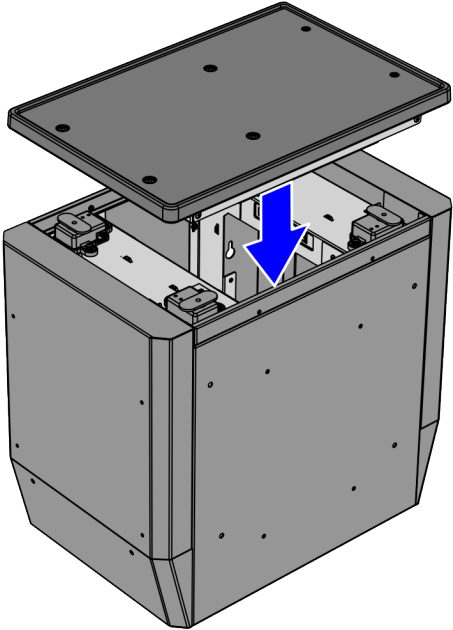
On a 2-Bag Bagwell, the Bottom Shelf may be installed into any of the three (3) locations, as shown in the image below.



4. Install the Bagwell Panels (Front and Back). For more information, refer to "[Installing the Bagwell Panels \(Front and Back\)](#)" on page 11.

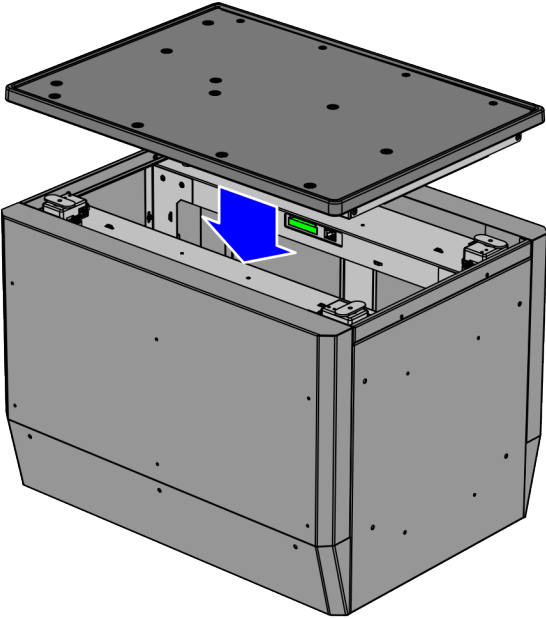


5. Place the Scale Tray on top of the Bagwell.



1-Bag Bagwell

CCP-85125



2-Bag Bagwell

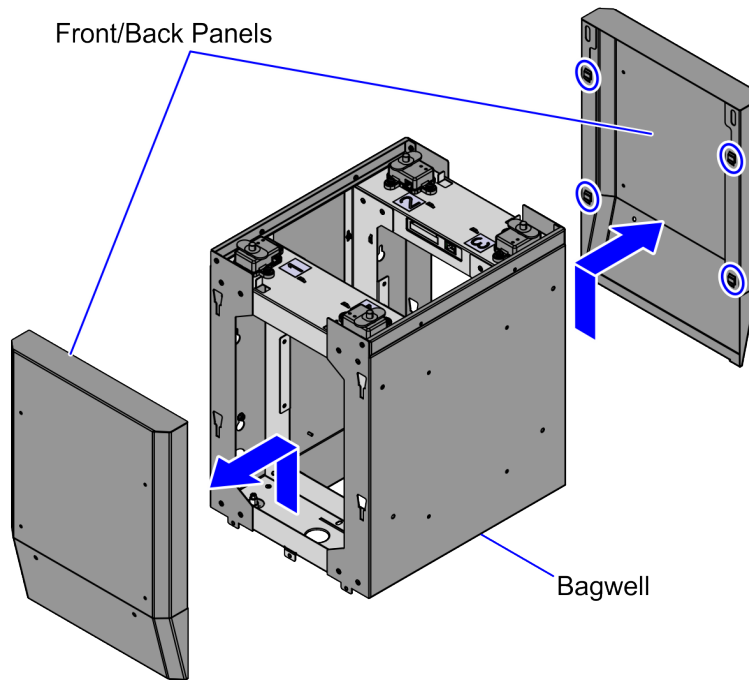
# Removing the Bagwell Panels (Front and Back)

To remove the Front and Back panels from the Bagwell Frame, pull the Front and Back panels up to disengage all four (4) clips of each panel from the Bagwell Frame.



## Note

This procedure uses images of the Bagwell only for reference.

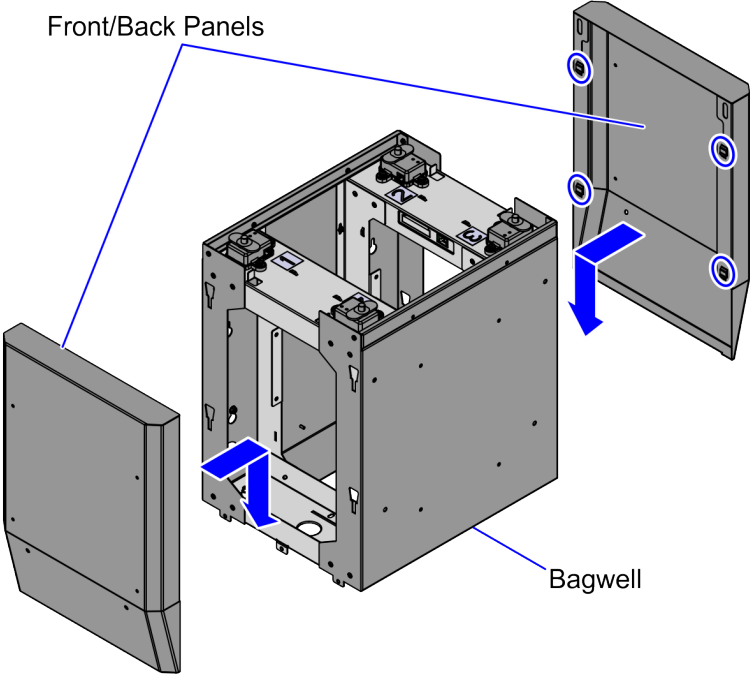


CCP-84853

# Installing the Bagwell Panels (Front and Back)

To install the Front and Back panels to the Bagwell Frame, mount and slide down the Front and Back Panels onto the Bagwell Frame until all four (4) clips on each panel click and lock into place.

**Note**  
This procedure uses images of the Bagwell only for reference.



CCP-84864