



Kit Instructions

Standard Tri-Light/Lane Light



7371-K160

Issue A

Copyright

The product described in this document is a licensed product of NCR Corporation.

NCR is a registered trademark of NCR Corporation. NCR [Product] is a trademark of NCR Corporation in the United States and/or other countries. Other product names mentioned in this publication may be trademarks or registered trademarks of their respective companies and are hereby acknowledged.



Java is a registered trademark of Oracle and/or its affiliates.

The terms HDMI and HDMI High-Definition Multimedia Interface, and the HDMI Logo are trademarks or registered trademarks of HDMI Licensing LLC in the United States and other countries.

Where creation of derivative works, modifications or copies of this NCR copyrighted documentation is permitted under the terms and conditions of an agreement you have with NCR, NCR's copyright notice must be included.

It is the policy of NCR Corporation (NCR) to improve products as new technology, components, software, and firmware become available. NCR, therefore, reserves the right to change specifications without prior notice.

All features, functions, and operations described herein may not be marketed by NCR in all parts of the world. In some instances, photographs are of equipment prototypes. Therefore, before using this document, consult with your NCR representative or NCR office for information that is applicable and current.

Copyright © 2024
By NCR Voyix Corporation
Global Headquarters
864 Spring St. NW
Atlanta, GA 30308
United States
All Rights Reserved

Confidential and proprietary information of NCR Voyix Corporation.
Unauthorized use, reproduction and/or distribution is strictly prohibited.

Revision Record

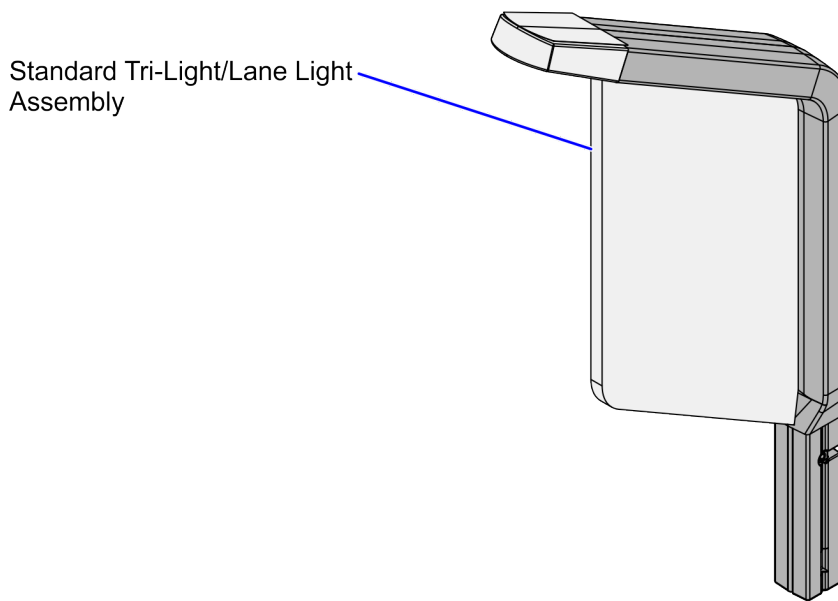
Issue	Date	Remarks
A	Jan 2024	First issue.

Standard Tri-Light/Lane Light

This publication provides procedures for installing the 7371-K160 Standard Tri-Light/Lane Light on either of the following Self-Checkout units:

- NCR Self-Checkout Hardware (7371)
- NCR Self-Checkout Hardware - Card Only Self-Checkout (7372)

Kit Contents



CCP-83466

Part Number	Description
497-0534279	7371-K160 Standard Tri-Light/Lane Light
497-0530373	Tri-Light/Lane Light Housing Assembly, Normal
*497-0423108	Instructions Kit (Reference Sheet)

* Items marked with an asterisk are not called out on the image.

Installation Procedure

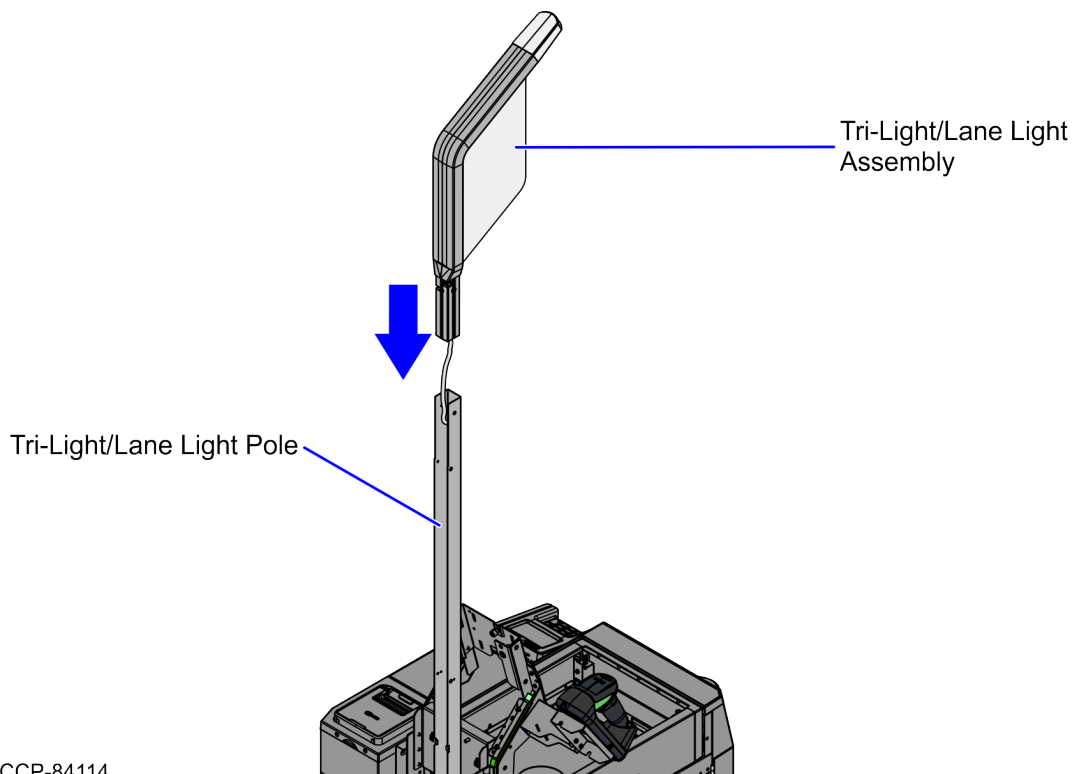
To install the Tri-Light/Lane Light Assembly to the Tri-Light/Lane Light Pole, follow these steps:

1. Install the Tri-Light/Lane Light Pole, if necessary. For more information, refer to [Installing the Tri-Light/Lane Light Pole on page 17](#).
2. Route the Cable Extender, if necessary. For more information, refer to [Routing the Cable Extender on page 21](#).

i Note

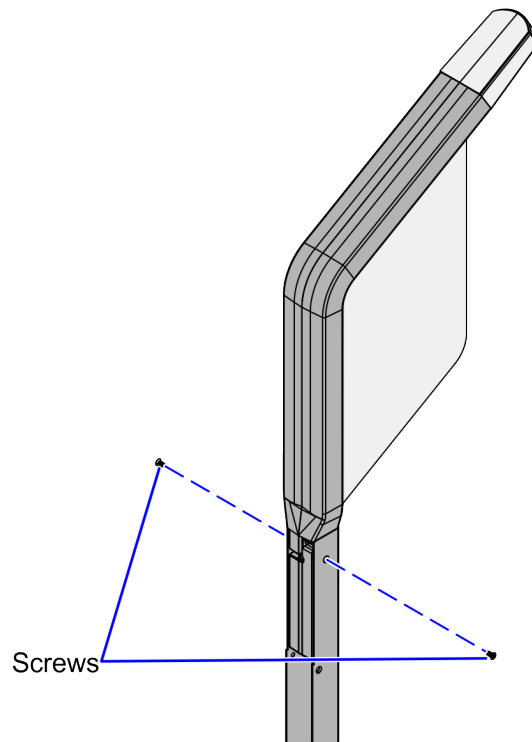
For new Self-Checkout units, the Cable Extender is prerouted to the Tri-Light Port of the R6 I/O Box.

3. Install the Tri-Light/Lane Light Assembly into the Tri-Light/Lane Light Pole.



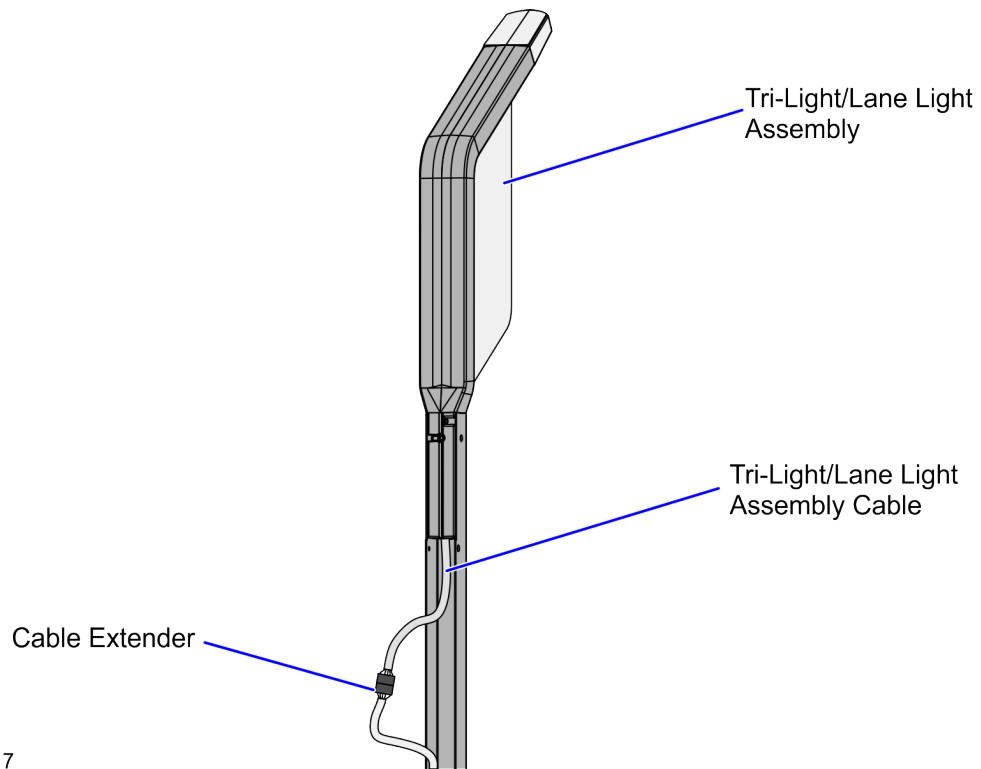
CCP-84114

- Secure the Tri-Light/Lane Light Assembly using one (1) screw on each side of the Tri-Light Pole.



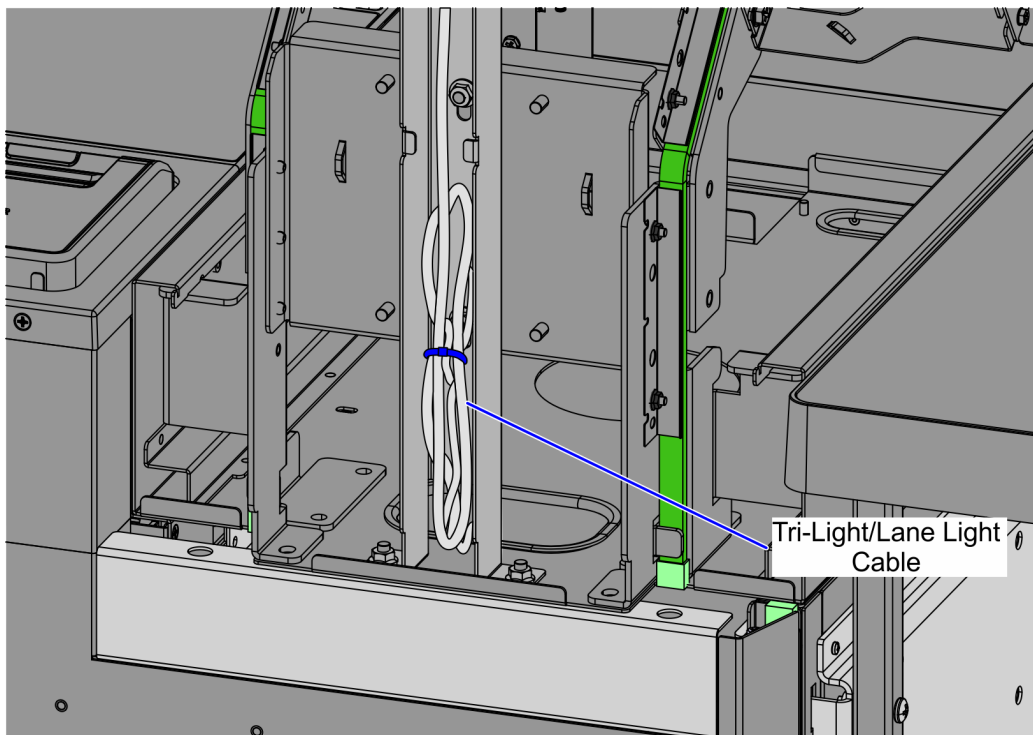
CCP-84115

5. Connect the Tri-Light/Lane Light Assembly Cable to the Cable Extender that extends out through the bottom of the Tri-Light/Lane Light Pole.



CCP-84117

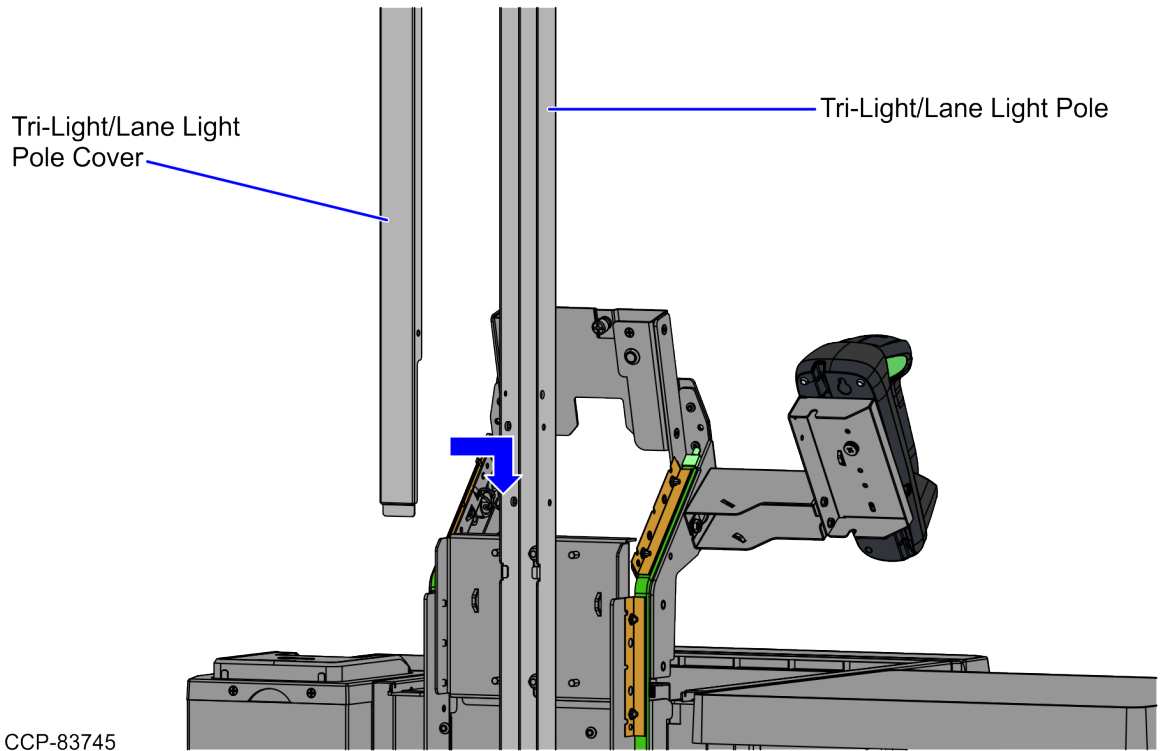
6. Bundle the excess cable inside the pole using a cable tie.



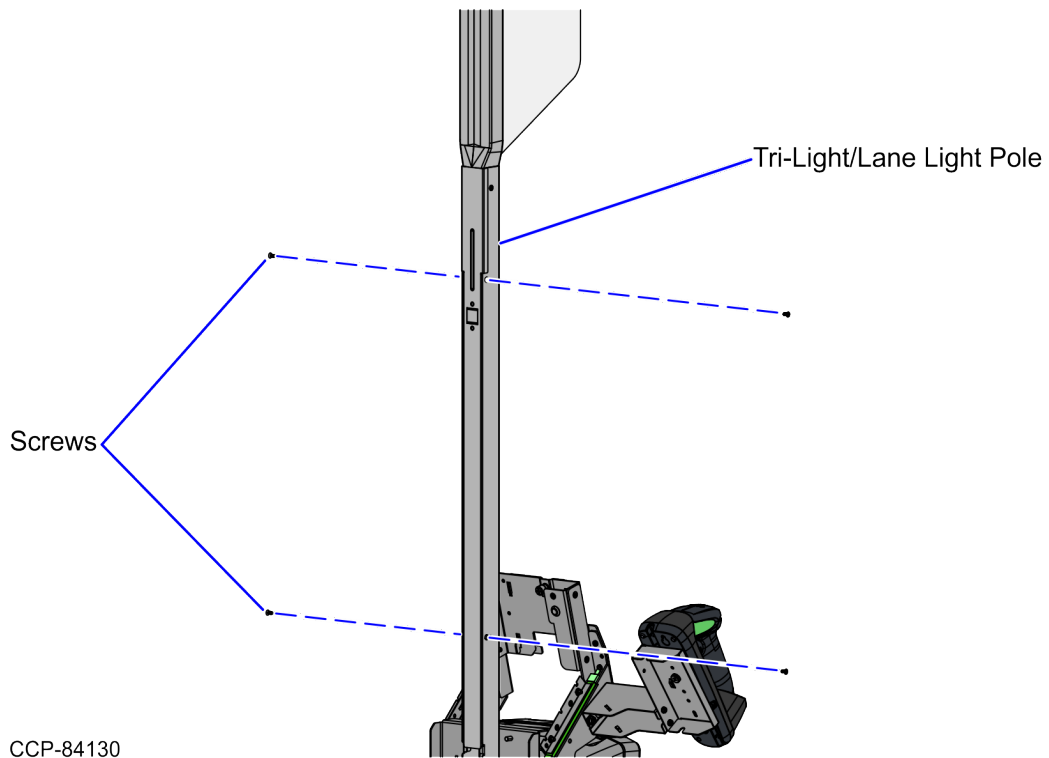
CCP-84102

Confidential and proprietary information of NCR Voyix Corporation.
Unauthorized use, reproduction and/or distribution is strictly prohibited.

- Attach the Tri-Light/Lane Light Pole Cover by mounting it on the hooks of the Tri-Light/Lane Light Pole.

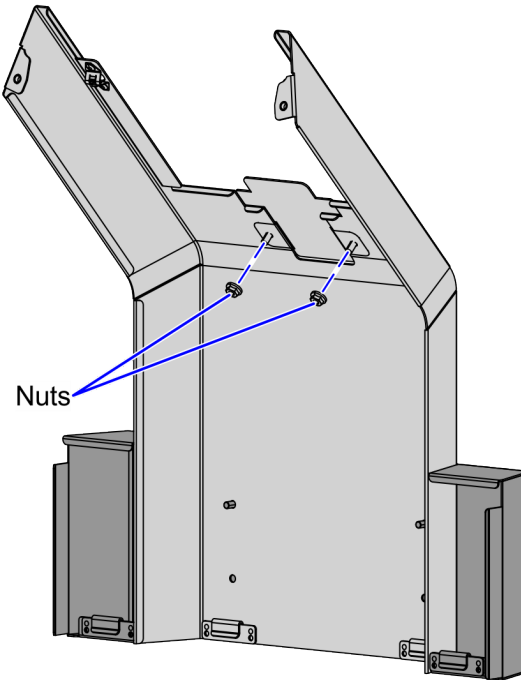


- Secure the Tri-Light/Lane Light Pole Cover to the Tri-Light/Lane Light Pole using two (2) screws on each side.



Confidential and proprietary information of NCR Voyix Corporation.
Unauthorized use, reproduction and/or distribution is strictly prohibited.

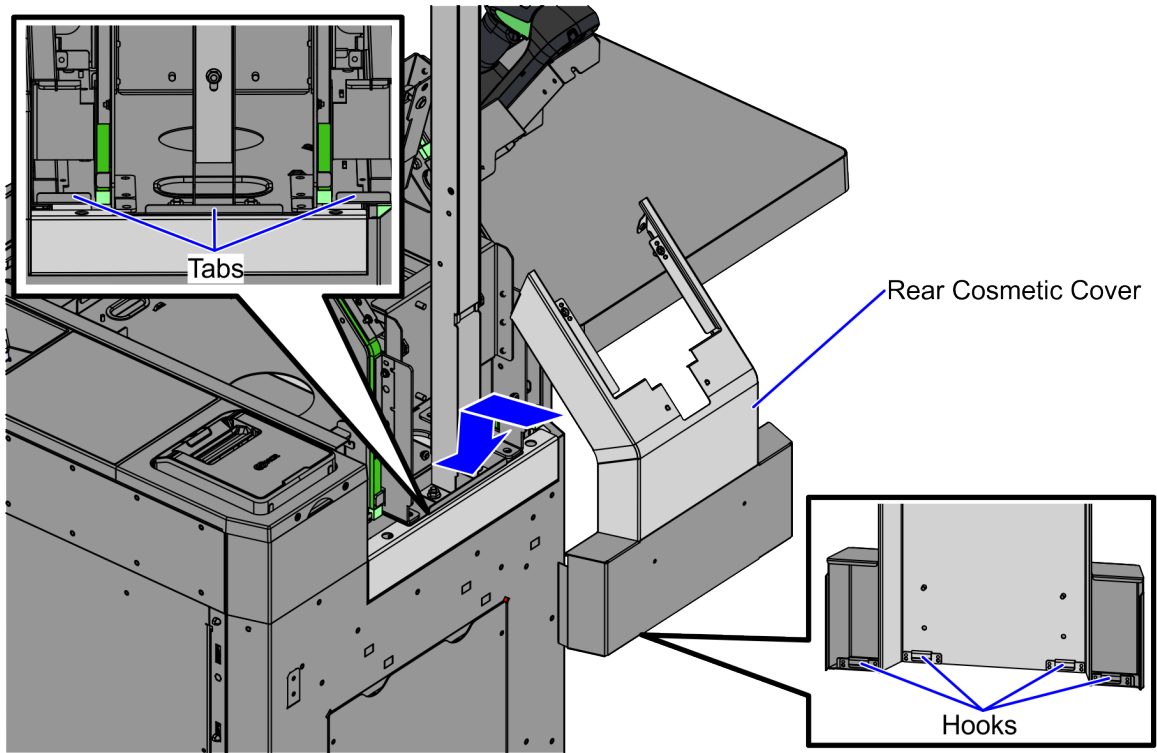
9. If the unit was not configured with a Tri-Light/Lane Light, detach the Tri-Light Pole Blank from the Rear Cosmetic Cover by removing two (2) nuts, as shown in the image below.



CCP-83469

10. Attach the Rear Cosmetic Cover to the Tower Frame.

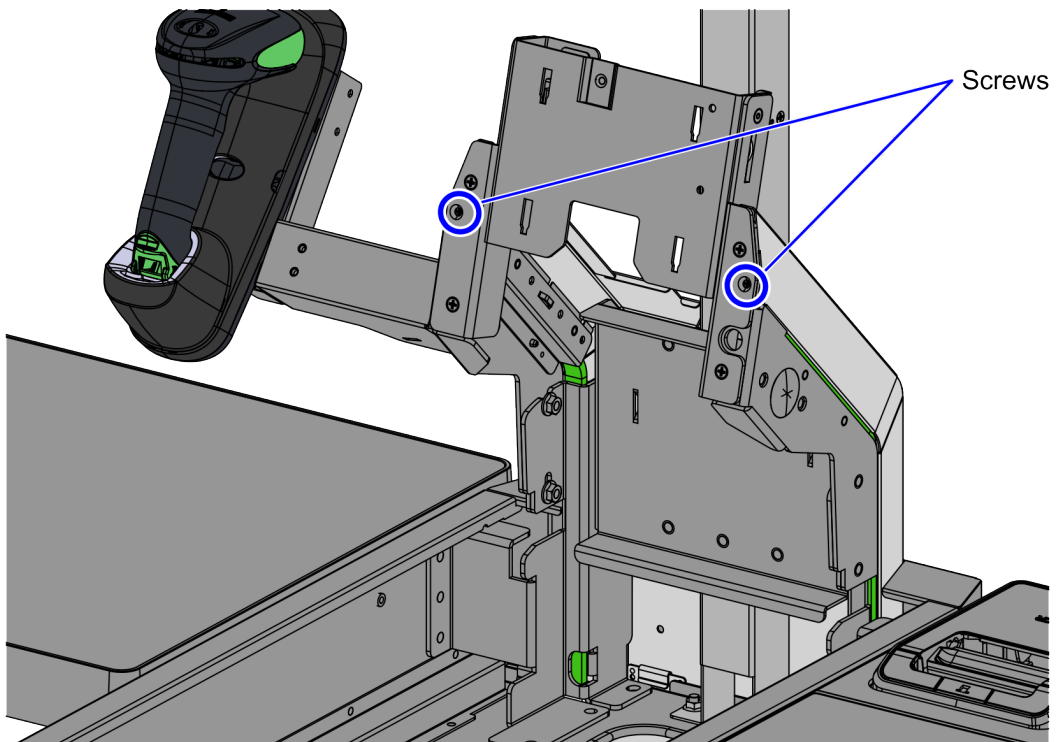
i Note
Ensure that all four (4) hooks are engaged to the tabs.



CCP-84133

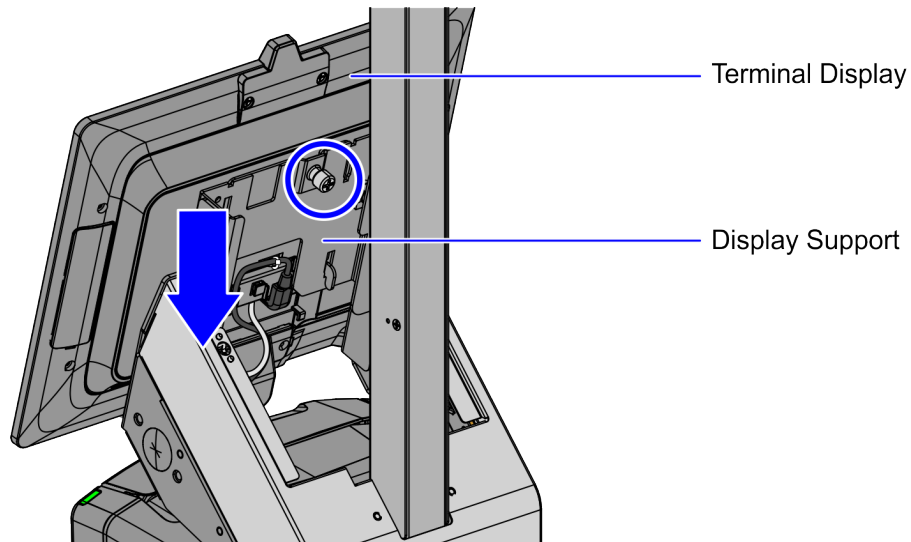
Confidential and proprietary information of NCR Voyix Corporation.
Unauthorized use, reproduction and/or distribution is strictly prohibited.

11. Secure the the Rear Cosmetic Cover to the Tower Frame with two (2) screws.



CCP-83470

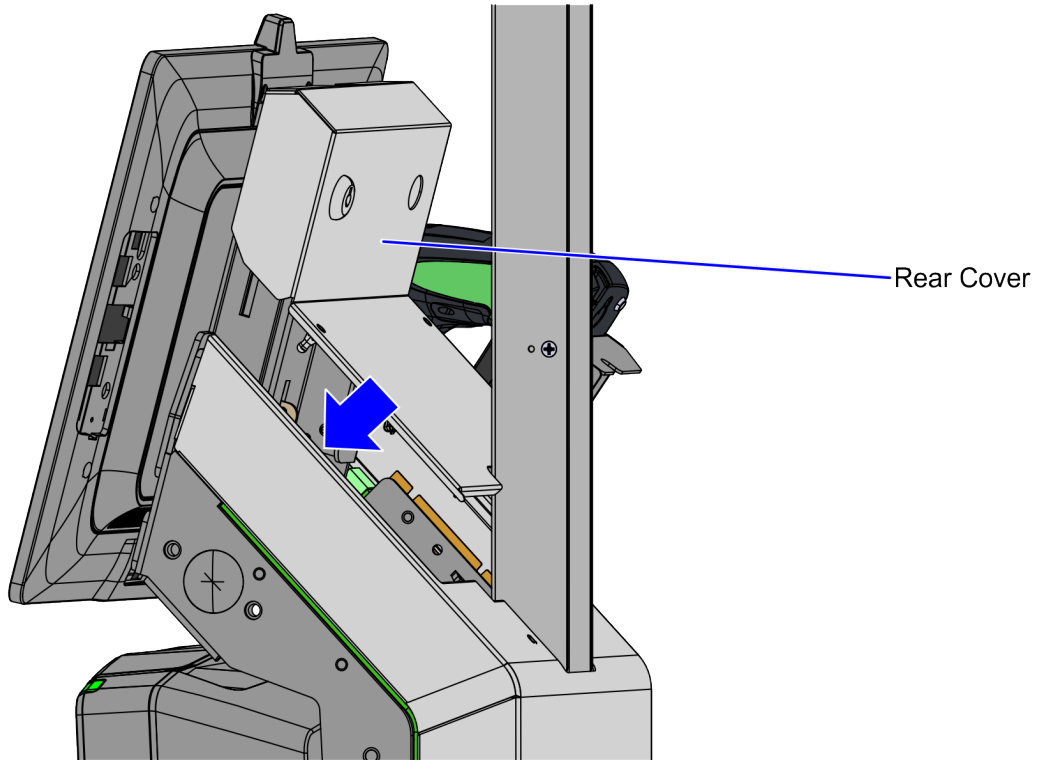
12. Install the Scanner/Scale. For more information, refer to [Removing the 7895 Scanner/Scale from Common Product NameFull Function Configuration on page 30](#).
13. Slide the Terminal Display down the Display Support and then secure it using a thumb screw, as shown in the image below.



CCP-83886

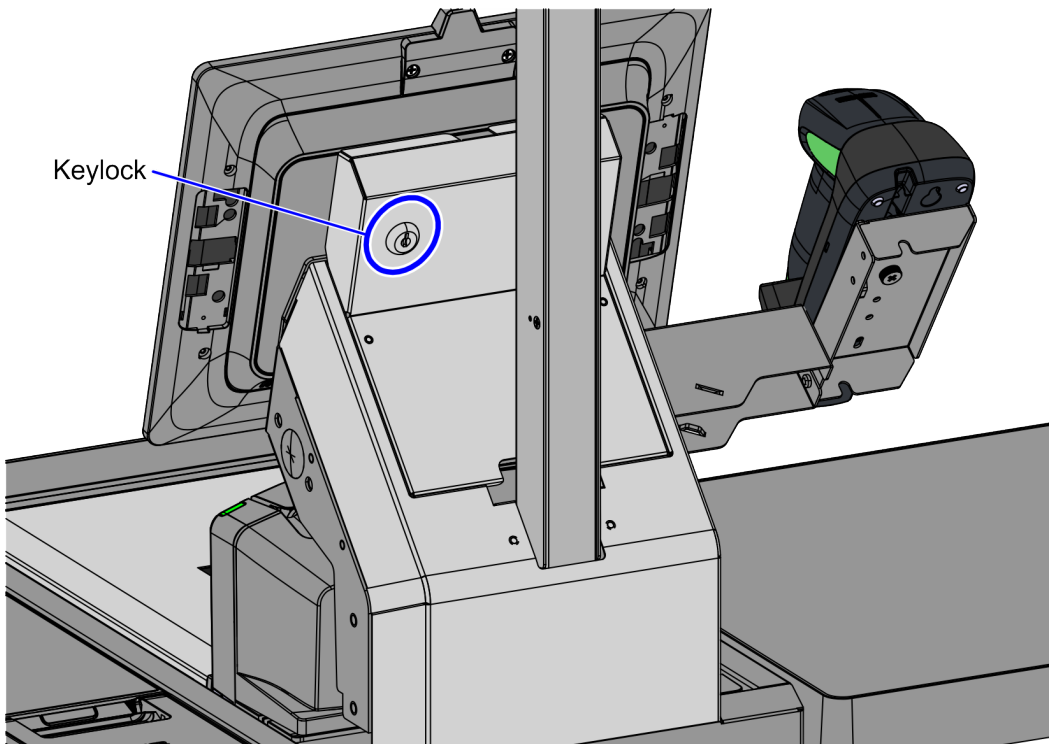
Confidential and proprietary information of NCR Voyix Corporation.
Unauthorized use, reproduction and/or distribution is strictly prohibited.

14. Place the Rear Cover on the back of the Tower Cabinet.



CCP-84127

15. Lock the Rear Cover to the Tower Cabinet using a key.



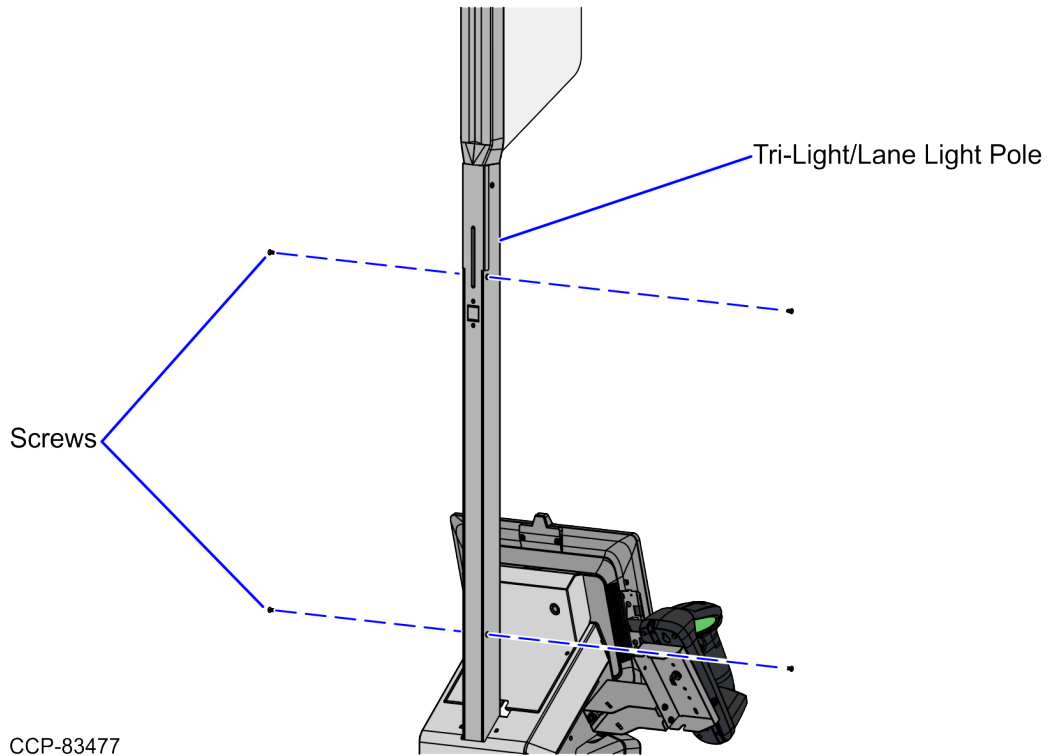
CCP-83498

Confidential and proprietary information of NCR Voyix Corporation.
Unauthorized use, reproduction and/or distribution is strictly prohibited.

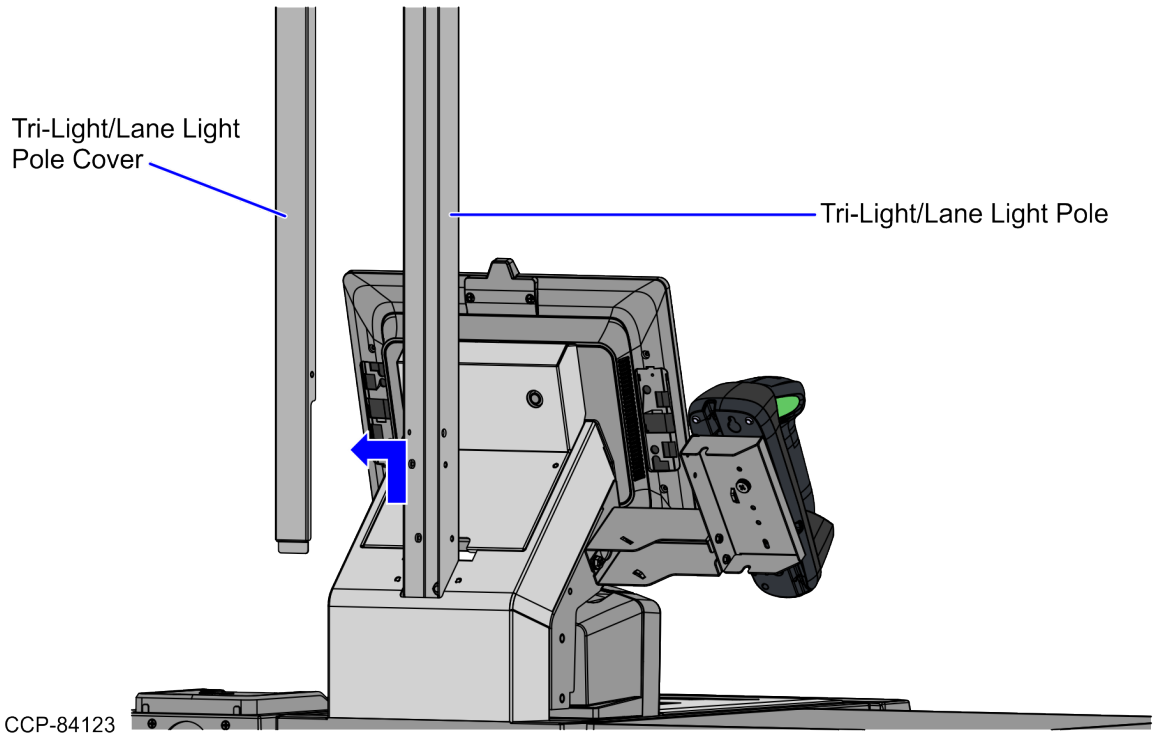
Removing the Tri-Light/Lane Light Assembly

To remove the Tri-Light/Lane Light Assembly from the Tri-Light/Lane Light Pole, follow these steps:

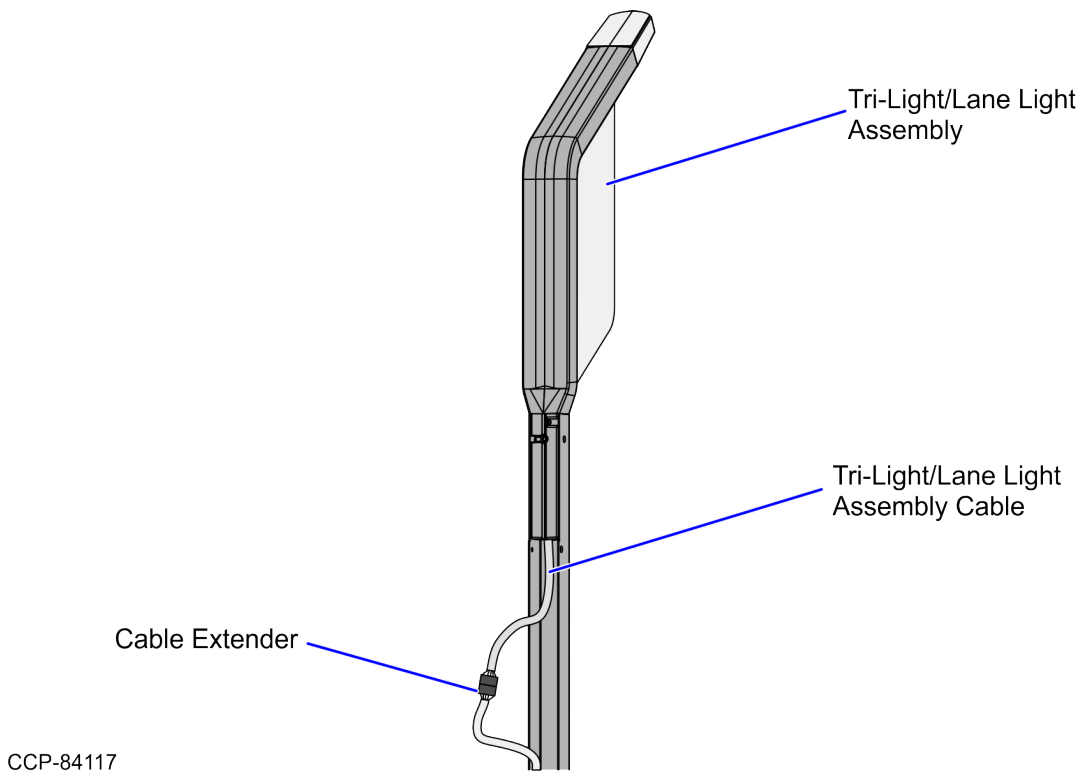
1. Remove two (2) screws from each side of the Tri-Light/Lane Light Pole.



2. Unhook the Tri-Light/Lane Light Pole Cover and remove it from the Tri-Light/Lane Light Pole.

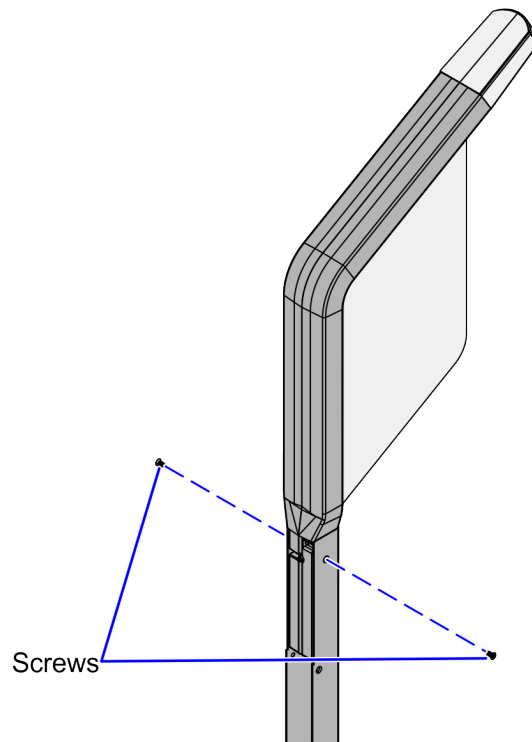


3. Disconnect the Tri-Light/Lane Light Assembly Cable from the Cable Extender.



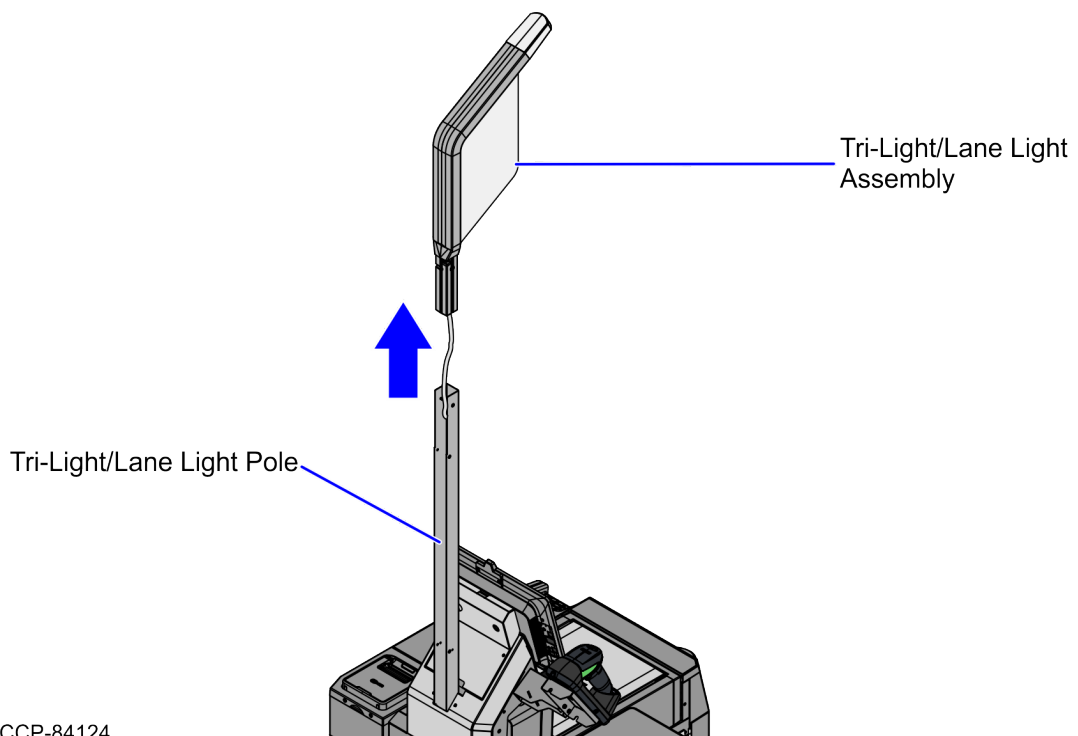
Confidential and proprietary information of NCR Voyix Corporation.
Unauthorized use, reproduction and/or distribution is strictly prohibited.

4. Remove two (2) screws from the Tri-Light/Lane Light Pole.



CCP-84115

5. Remove the Tri-Light/Lane Light Assembly from the Tri-Light/Lane Light Pole.



CCP-84124

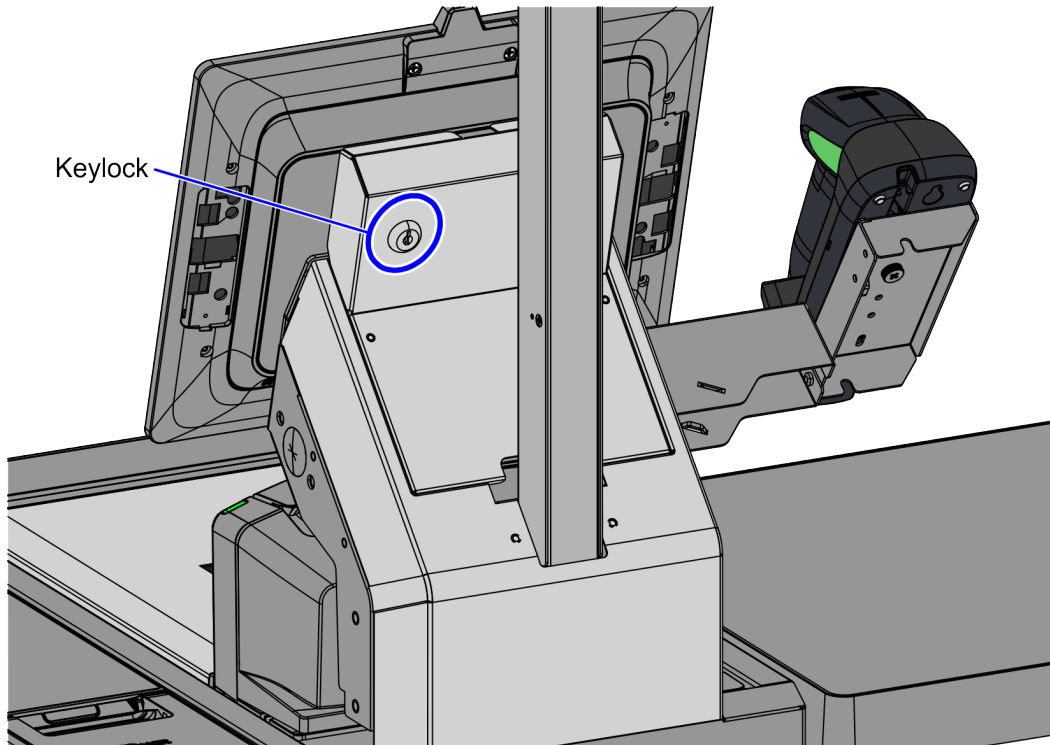
Confidential and proprietary information of NCR Voyix Corporation.
Unauthorized use, reproduction and/or distribution is strictly prohibited.

Removing the Tri-Light/Lane Light Pole

To remove the Tri-Light/Lane Light Pole, follow these steps:

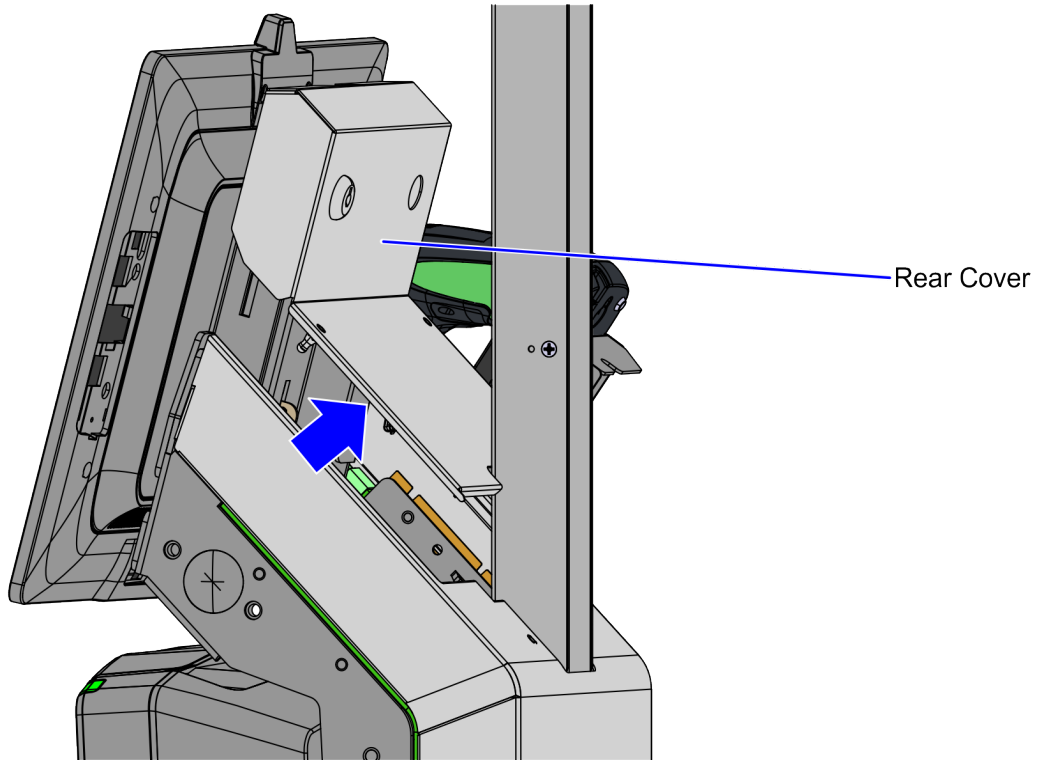
i Note
Remove the Tri-Light/Lane Light Assembly, if necessary. For more information, refer to [Removing the Tri-Light/Lane Light Assembly on page 10](#).

1. Unlock the Rear Cover of the Tower Cabinet using a key.



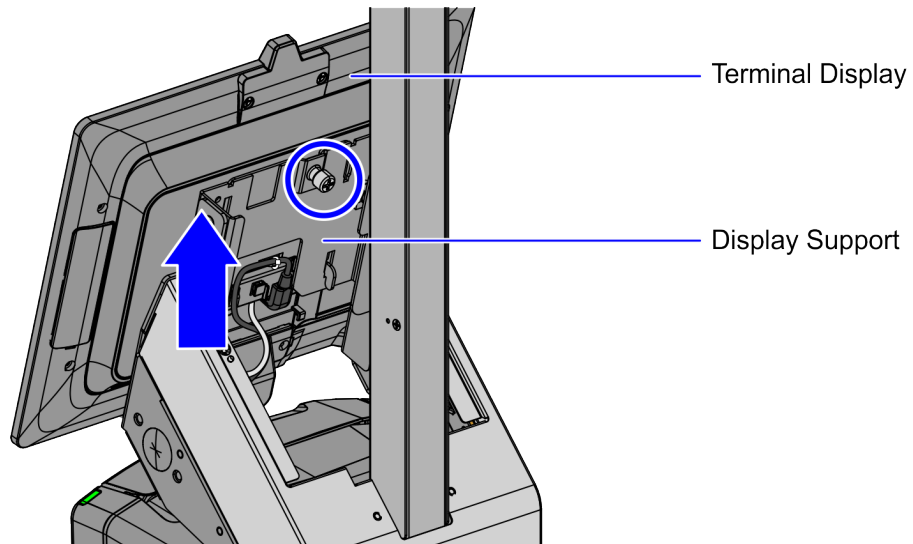
CCP-83498

2. Remove the Rear Cover from the Tower Cabinet.



CCP-84109

3. Loosen the thumb screw and slide the Terminal Display up to remove it from the Display Support, as shown in the image below.



CCP-83859

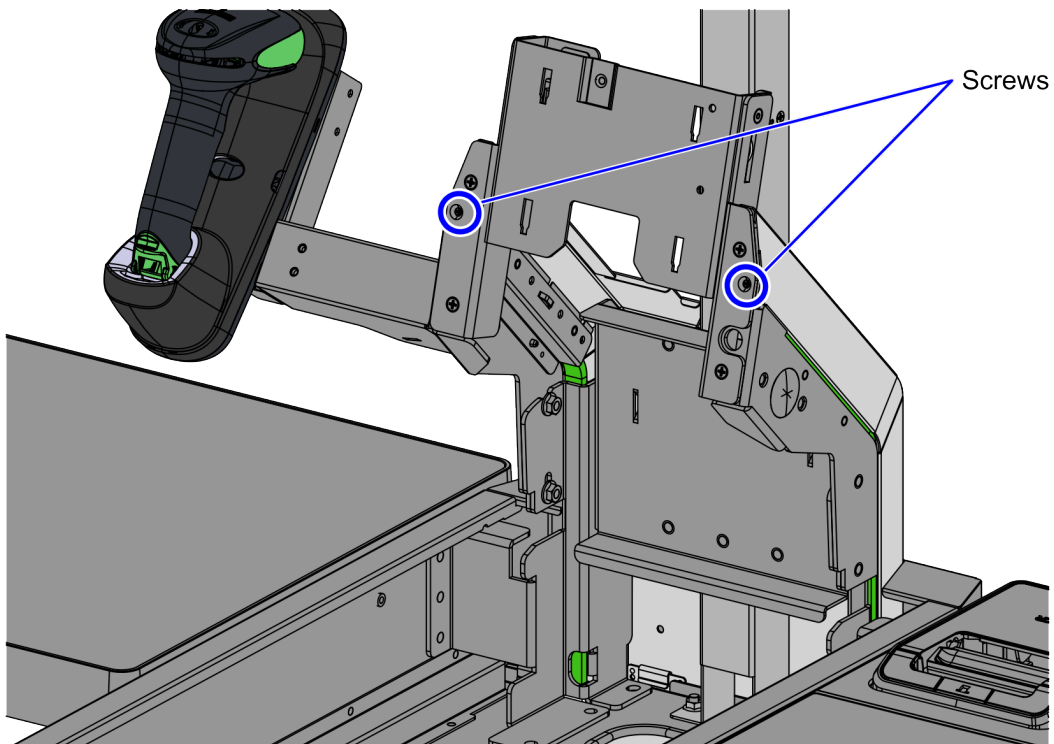
Confidential and proprietary information of NCR Voyix Corporation.
Unauthorized use, reproduction and/or distribution is strictly prohibited.

4. Remove the Terminal Display and lay it face down on a flat surface.

i Note

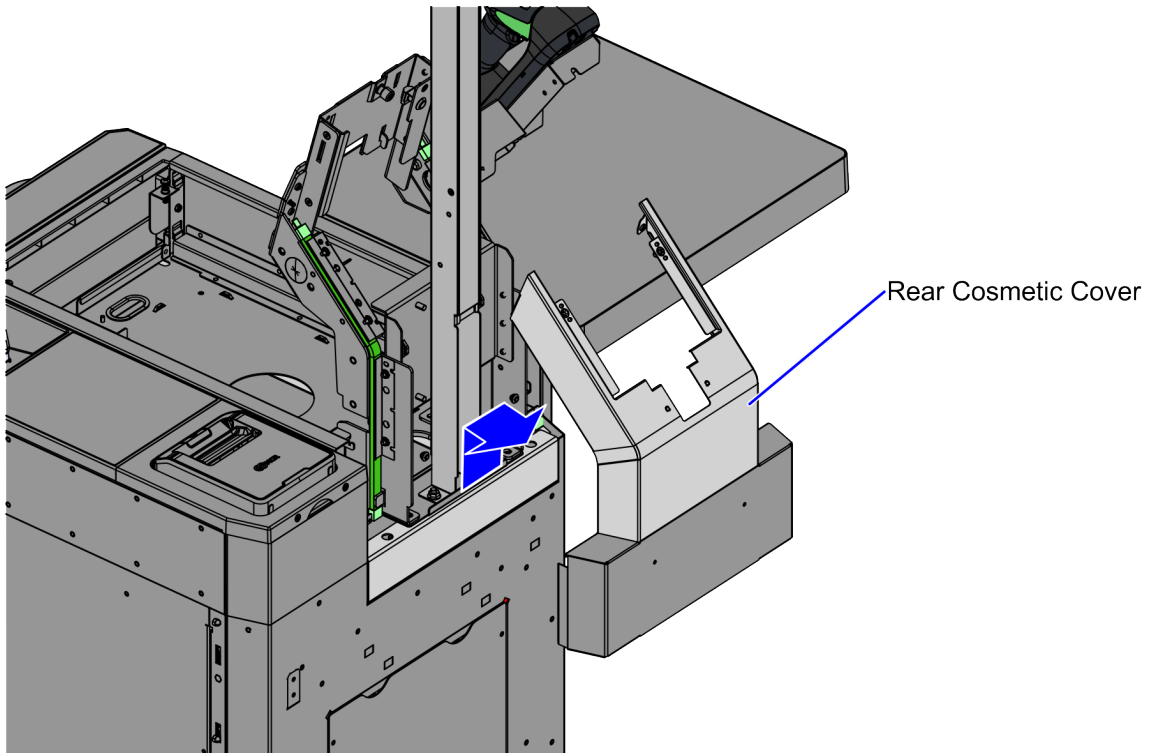
Always use a soft material to protect the display screen when placing the terminal face down.

5. Remove the Scanner/Scale. For more information, refer to [Removing the 7895 Scanner/Scale from Common Product Name Full Function Configuration on page 30](#).
6. Detach the Rear Cosmetic Cover from the Tower Frame by removing two (2) screws, as shown in the image below.



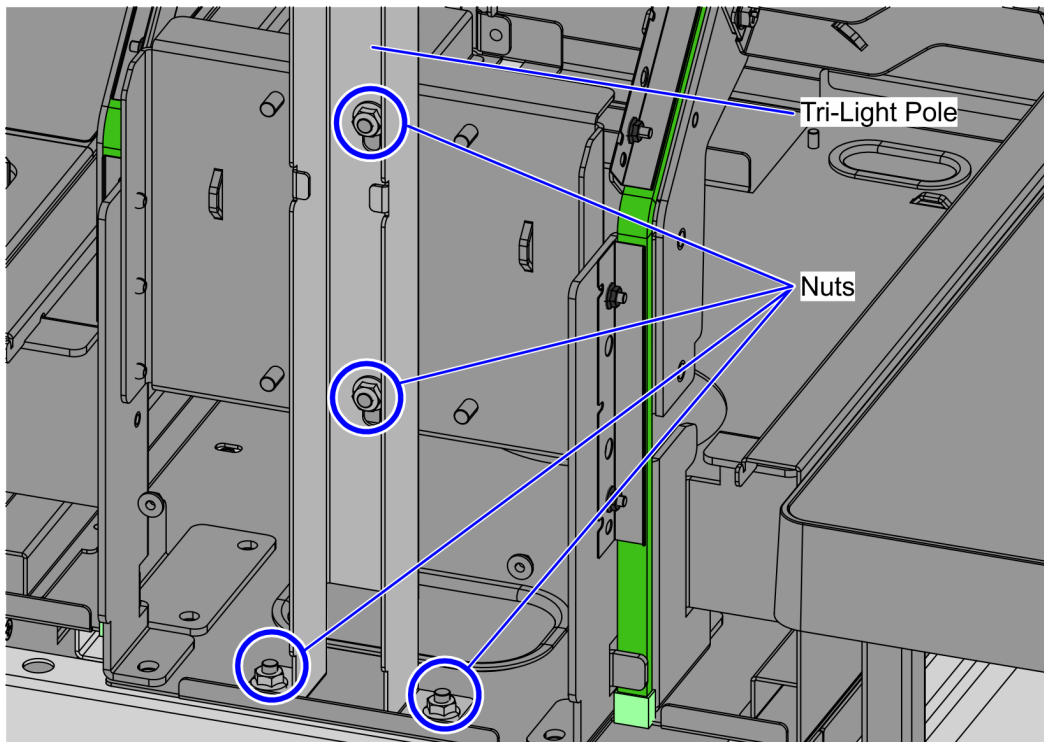
CCP-83470

7. Pull up the the Rear Cosmetic Cover to disengage the four (4) hooks from the tabs on the Scanner/Scale Bucket frame.



CCP-84132

8. Remove four (4) nuts to detach the Tri-Light/Lane Light Pole.



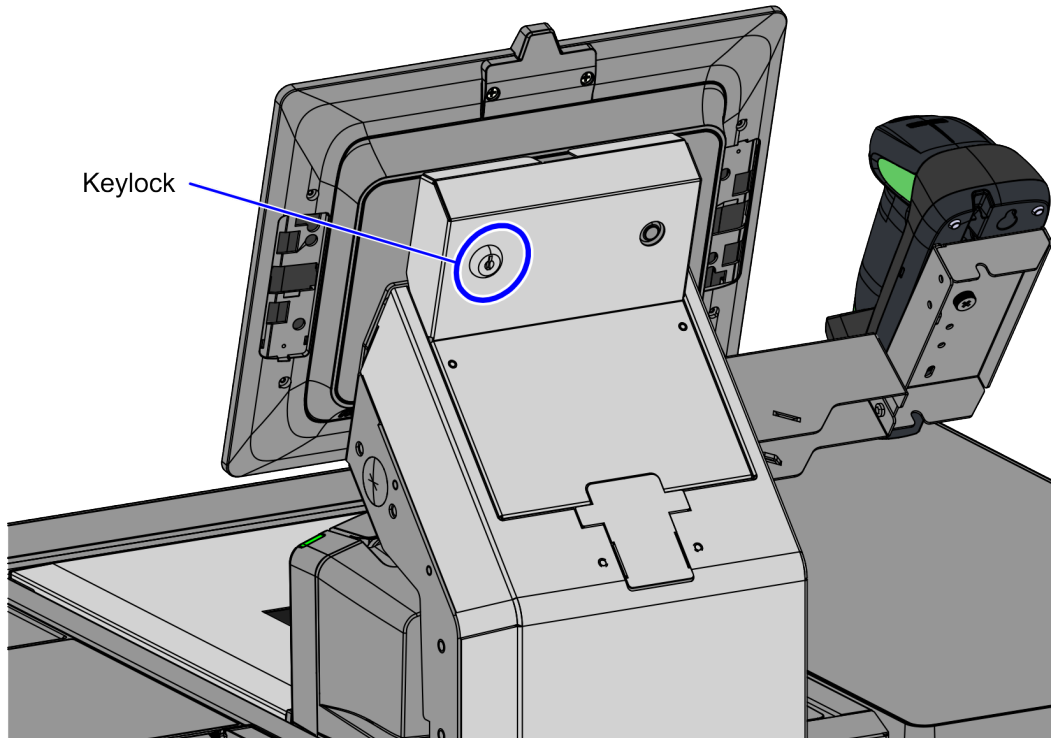
CCP-83474

Confidential and proprietary information of NCR Voyix Corporation.
Unauthorized use, reproduction and/or distribution is strictly prohibited.

Installing the Tri-Light/Lane Light Pole

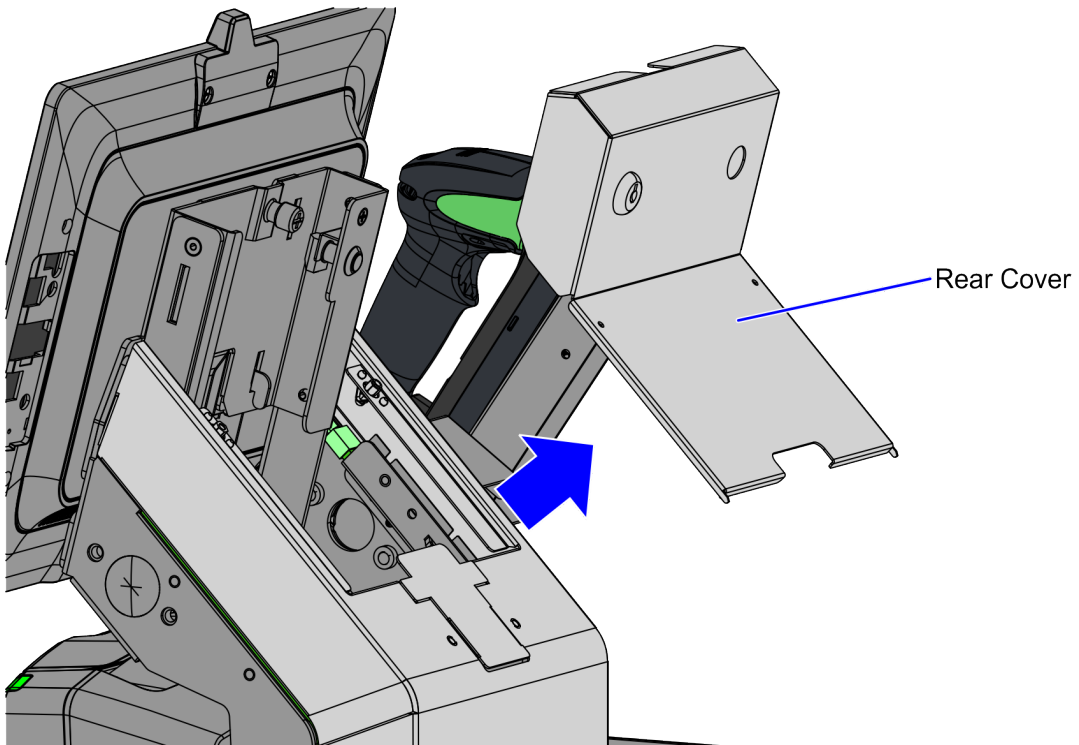
To install the Tri-Light/Lane Light Pole, follow these steps:

1. Unlock the Rear Cover of the Tower Cabinet using a key.

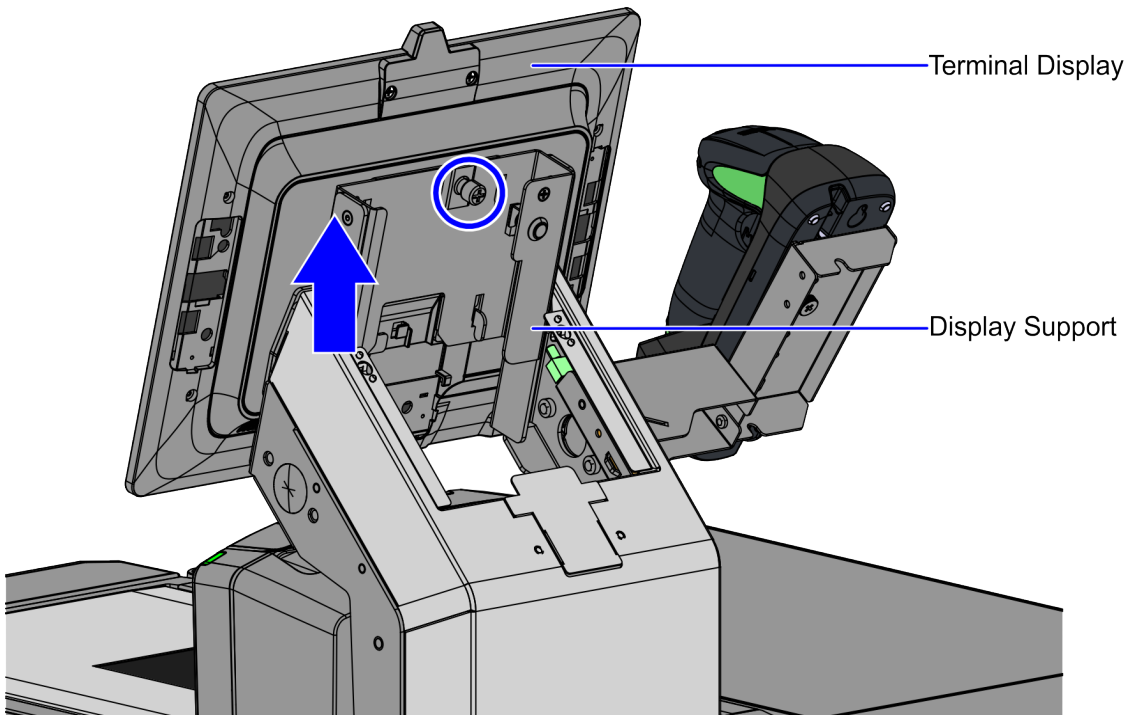


CCP-84107

2. Remove the Rear Cover from the Tower Cabinet.



3. Loosen the thumb screw and slide the Terminal Display up to remove it from the Display Support, as shown in the image below.



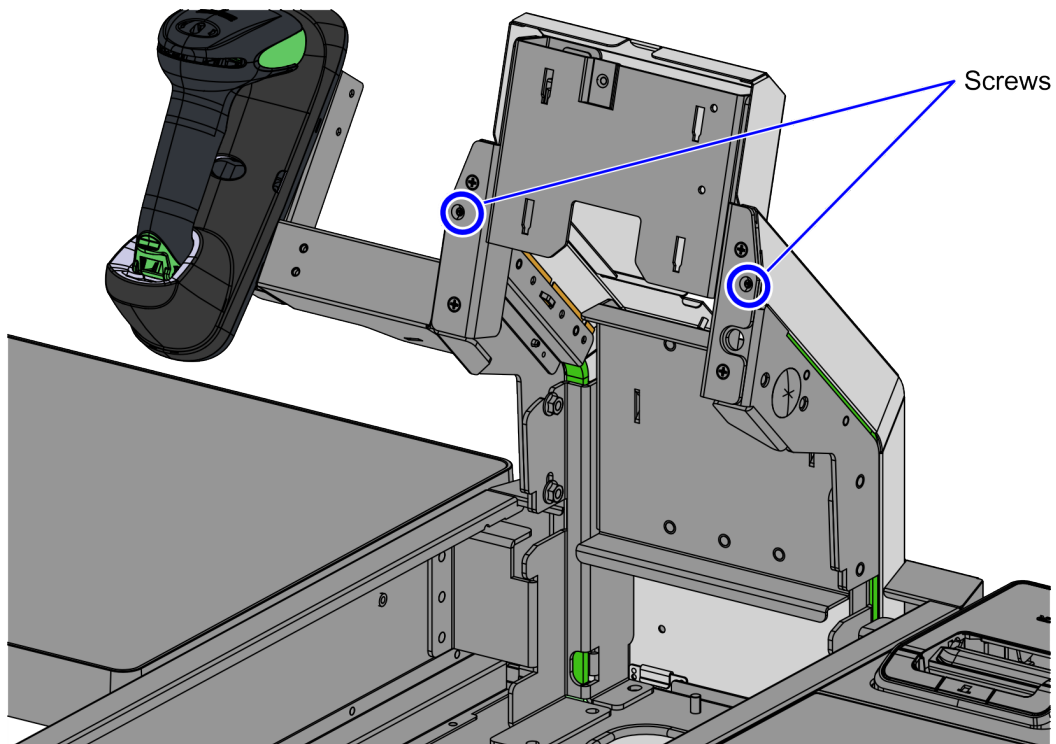
Confidential and proprietary information of NCR Voyix Corporation.
Unauthorized use, reproduction and/or distribution is strictly prohibited.

4. Remove the Terminal Display and lay it face down on a flat surface.

i Note

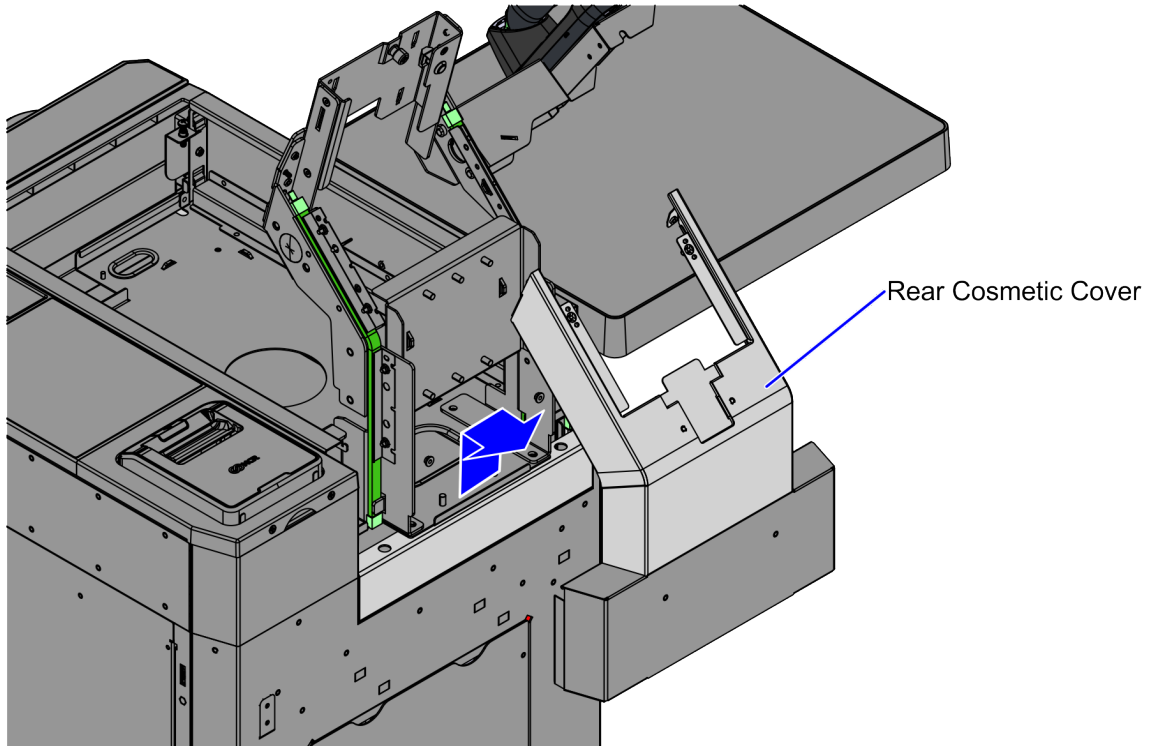
Always use a soft material to protect the display screen when placing the terminal face down.

5. Remove the Scanner/Scale. For more information, refer to [Removing the 7895 Scanner/Scale from Common Product Name Full Function Configuration on page 30](#).
6. Remove two (2) screws to detach the Rear Cosmetic Cover from the Tower Frame.



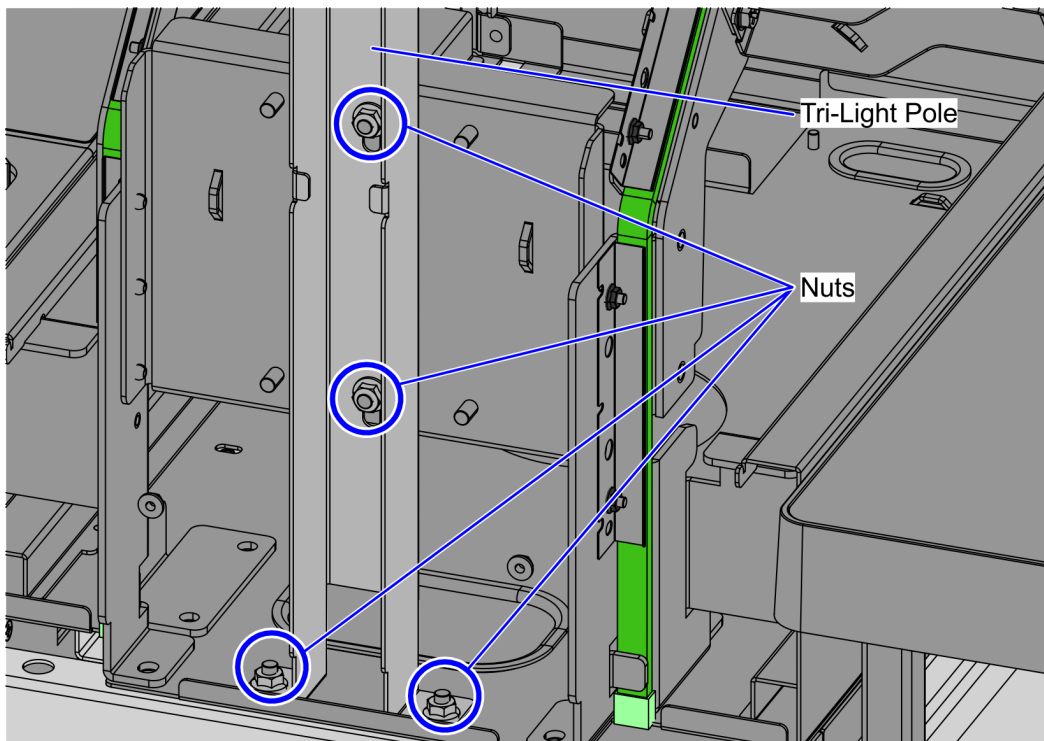
CCP-84112

7. Pull up the the Rear Cosmetic Cover to disengage the four (4) hooks from the tabs on the Scanner/Scale Bucket frame.



CCP-84119

8. Attach the Tri-Light Pole to the Tower Frame and secure it using four (4) nuts.



CCP-83474

Confidential and proprietary information of NCR Voyix Corporation.
Unauthorized use, reproduction and/or distribution is strictly prohibited.

Routing the Cable Extender

Depending on the configuration, refer to the following procedures:

- [Routing the Tri-Light/Lane Light Cable Extender: NCR Self-Checkout Hardware \(7371\) Fixed unit on the next page](#)
- [Routing the Tri-Light/Lane Light Cable Extender: NCR Self-Checkout Hardware \(7371\) Hybrid unit on page 25](#)
- [Routing the Tri-Light/Lane Light Cable Extender: NCR Self-Checkout Hardware - Card Only \(7372\) unit on page 28](#)



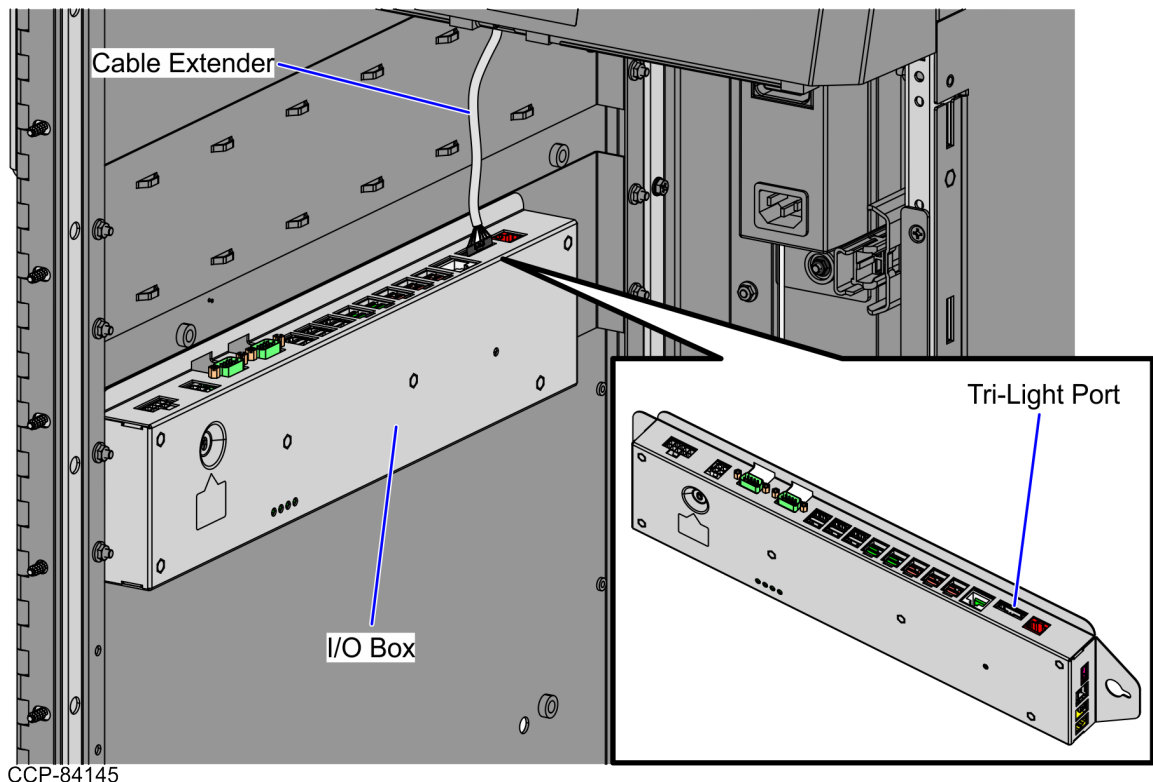
Note

For new Self-Checkout units, the Cable Extender is prerouted to the Tri-Light Port of the R6 I/O Box.

Routing the Tri-Light/Lane Light Cable Extender: NCR Self-Checkout Hardware (7371) Fixed unit

To route the Cable Extender in the NCR Self-Checkout Hardware (7371) Fixed unit, follow these steps:

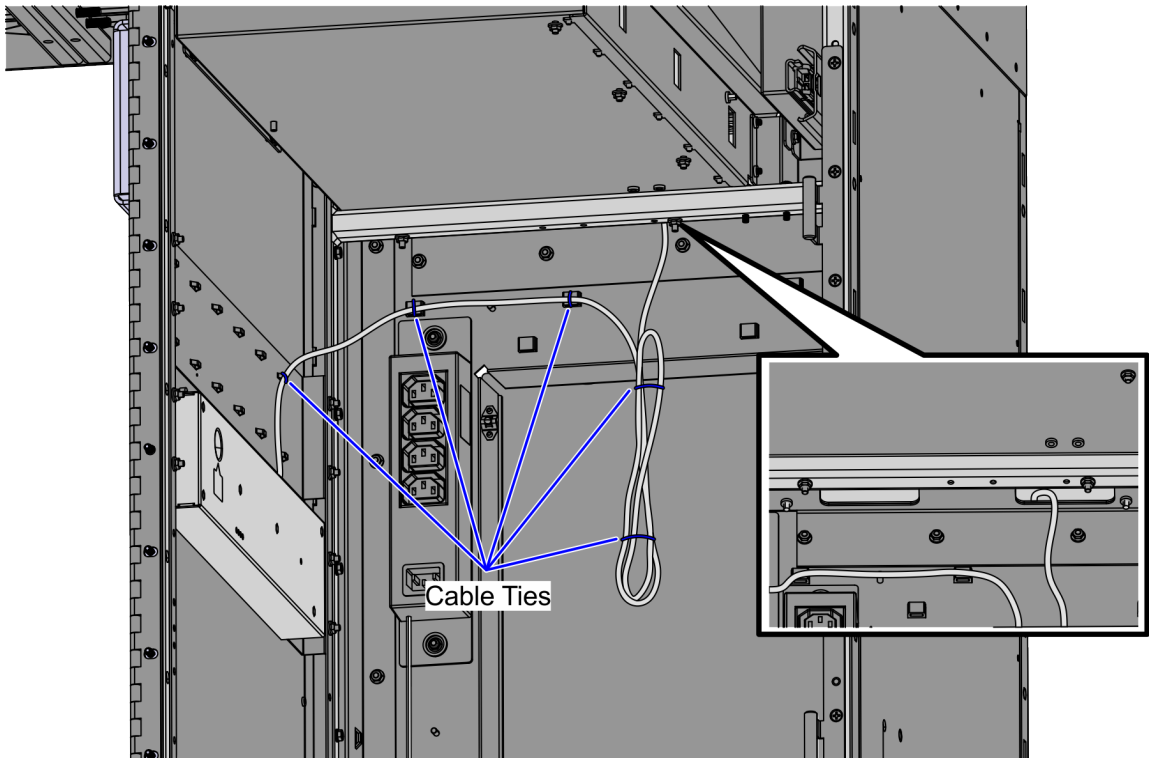
1. Connect the Tri-Light/Lane Light Cable Extender to the Tri-Light Port of the R6 I/O Box.



2. Route the Tri-Light/Lane Light Cable Extender up to the Upper Core (Tower) Module through the right side access hole.

i Note

Ensure to leave enough service loop for the cable that goes into the pole and connects to the Tri-Light/Lane Light Assembly.

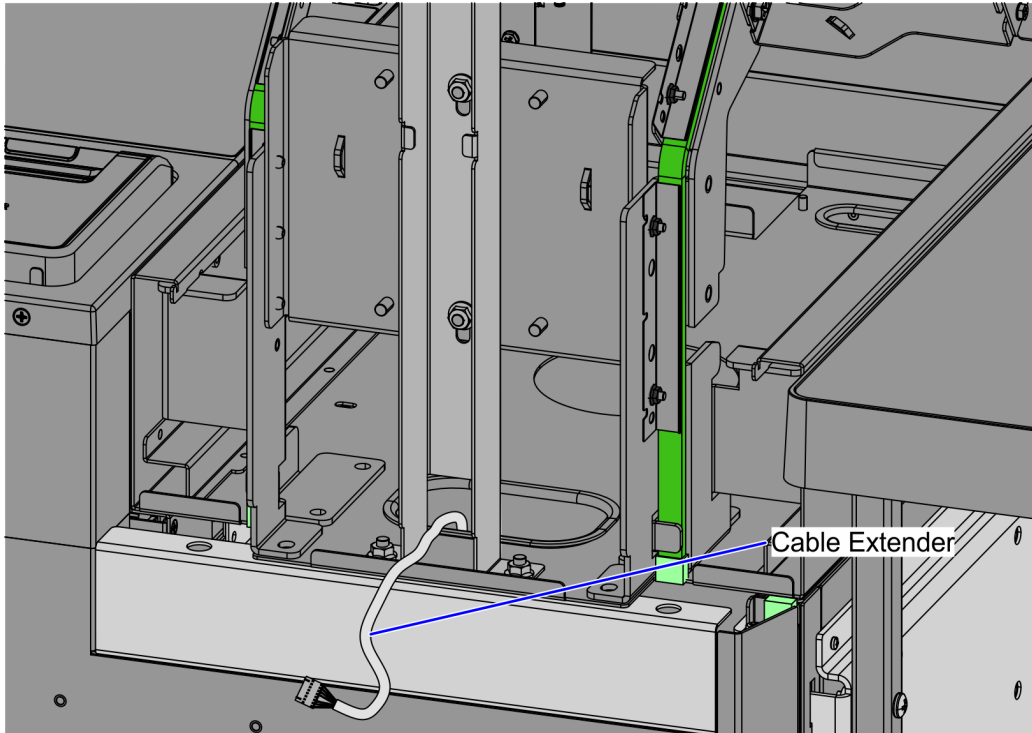


3. Secure the cable to the lance bridges using three (3) cable ties and bundle the excess cable with two (2) cable ties, as shown in the image above.

i Note

Ensure that the bundled cable does not interfere with the Coin Recycler.

4. From the Tri-Light Port of the R6 I/O Box, route the Cable Extender through the bottom of the Tri-Light/Lane Light Pole.

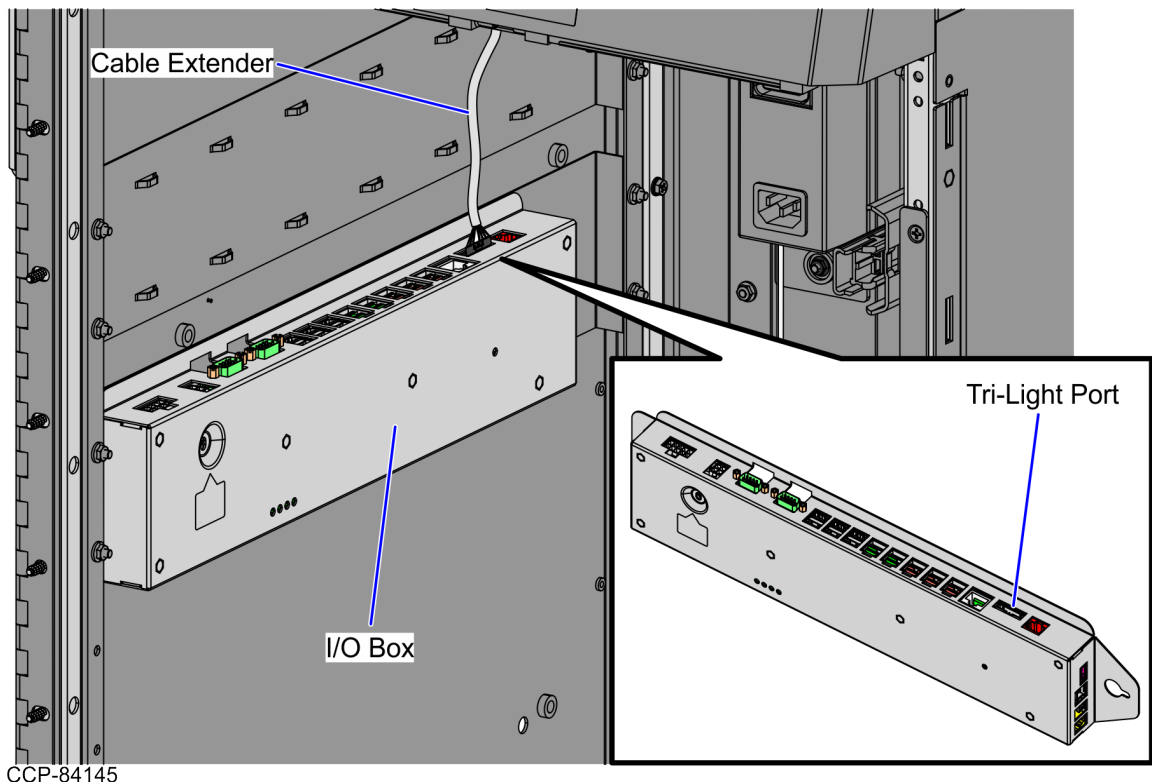


CCP-83499

Routing the Tri-Light/Lane Light Cable Extender: NCR Self-Checkout Hardware (7371) Hybrid unit

To route the Cable Extender in the NCR Self-Checkout Hardware (7371) Hybrid unit, follow these steps:

1. Connect the Tri-Light/Lane Light Cable Extender to the Tri-Light Port of the R6 I/O Box.



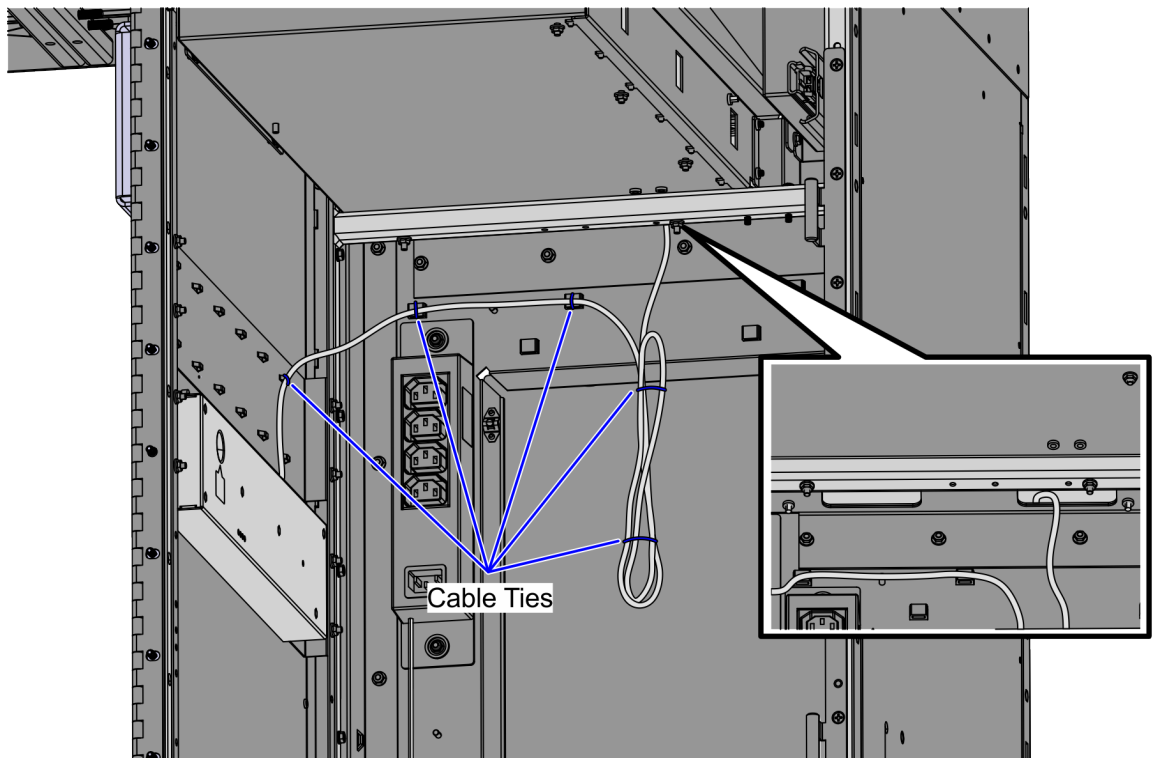
2. Do the following:

- a. Route the Tri-Light/Lane Light Cable Extender up to the Upper Core (Tower) Module through the right side access hole.



Note

Ensure to leave enough service loop for the cable that goes into the pole and connects to the Tri-Light/Lane Light Assembly.



CCP-84146

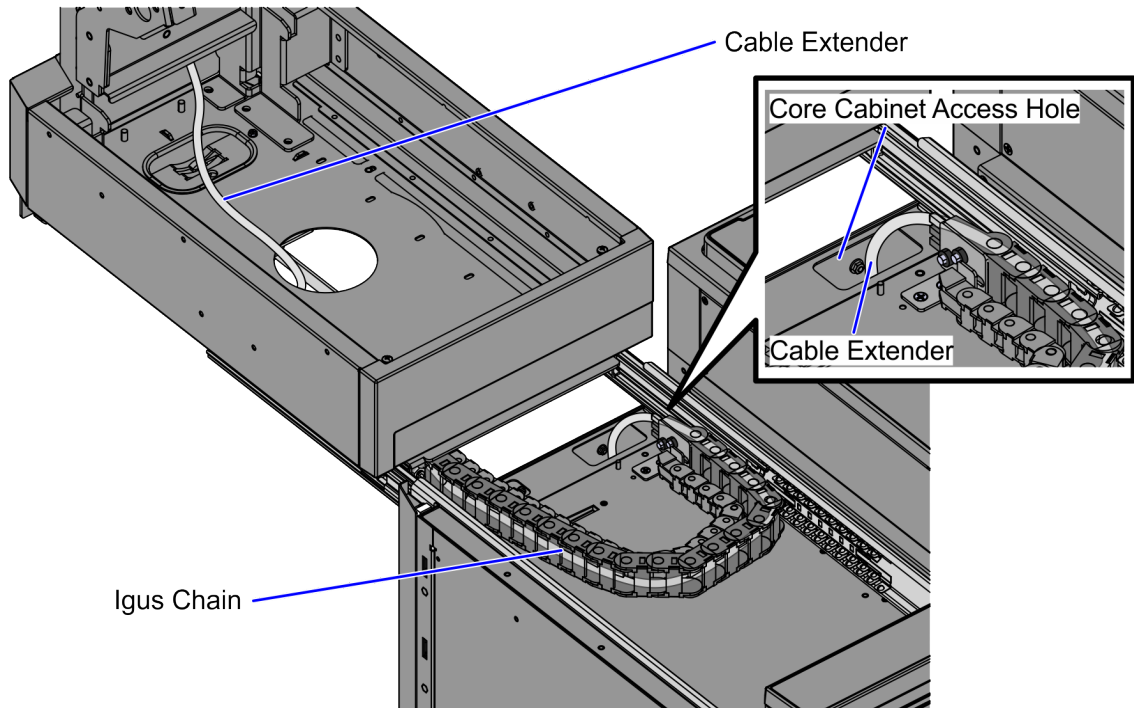
- b. Secure the cable to the lance bridges using three (3) cable ties and bundle the excess cable using two (2) cable ties, as shown in the image above.



Note

Ensure that the bundled cable does not interfere with the Coin Recycler.

3. From the Core Cabinet access hole, route the cable inside the Igus Chain and into the middle access hole on the Scanner/Scale Bucket and out through the bottom of the Tri-Light/Lane Light Pole, as shown in the image below.



CCP-84150

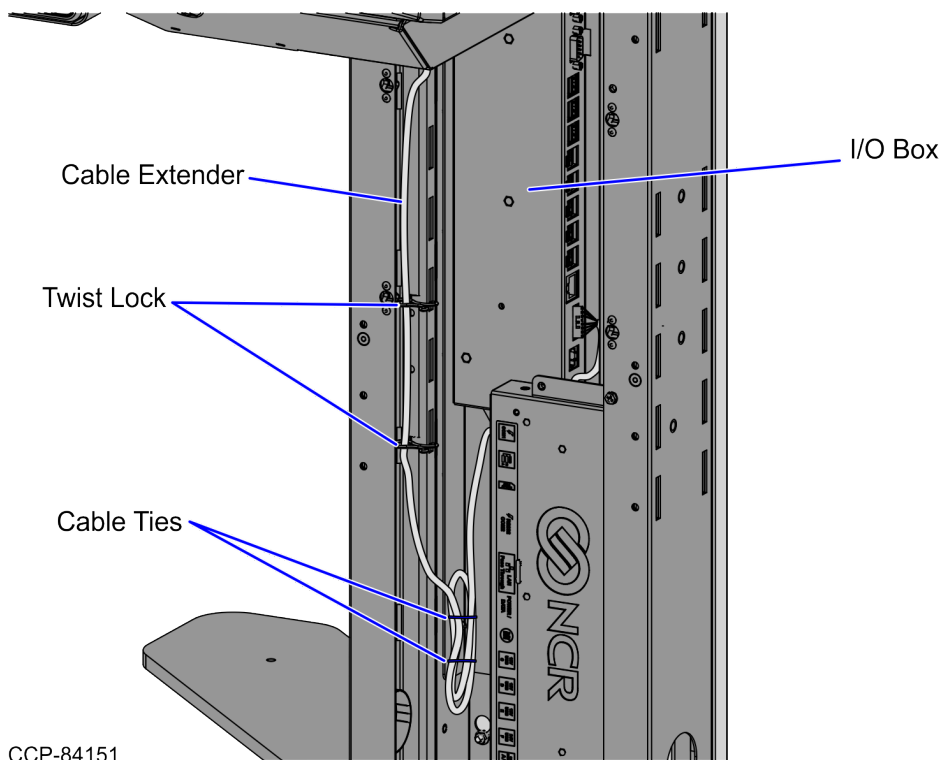
Routing the Tri-Light/Lane Light Cable Extender: NCR Self-Checkout Hardware - Card Only (7372) unit

To route the Cable Extender in the NCR Self-Checkout Hardware - Card Only (7372) unit, follow these steps:

1. Connect the Tri-Light/Lane Light Cable Extender to the Tri-Light Port of the R6 I/O Box.
2. Route the Cable Extender inside the Core (Cabinet) and secure it with two (2) twist locks, as shown in the image below.

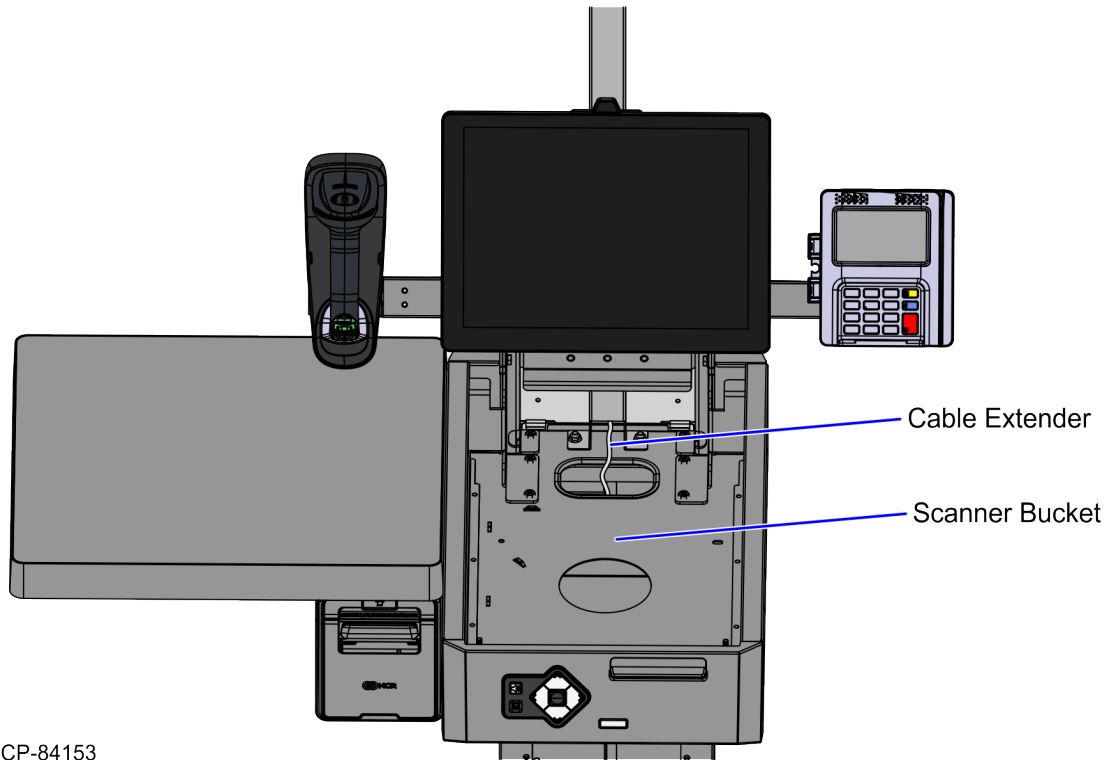
i Note

- Do not bundle the Cable Extender with the Sensormatic®/Checkpoint® cables.
- Ensure to leave enough service loop for the cable that goes into the pole and connects to the Tri-Light/Lane Light Assembly.



3. Bundle the excess Cable Extender near the bottom of the Core (Cabinet) and secure it with two (2) cable ties, as shown in the image above.

4. Route the Cable Extender out through the Scanner/Scale Bucket access hole and into the bottom of the Tri-Light/Lane Light Pole.

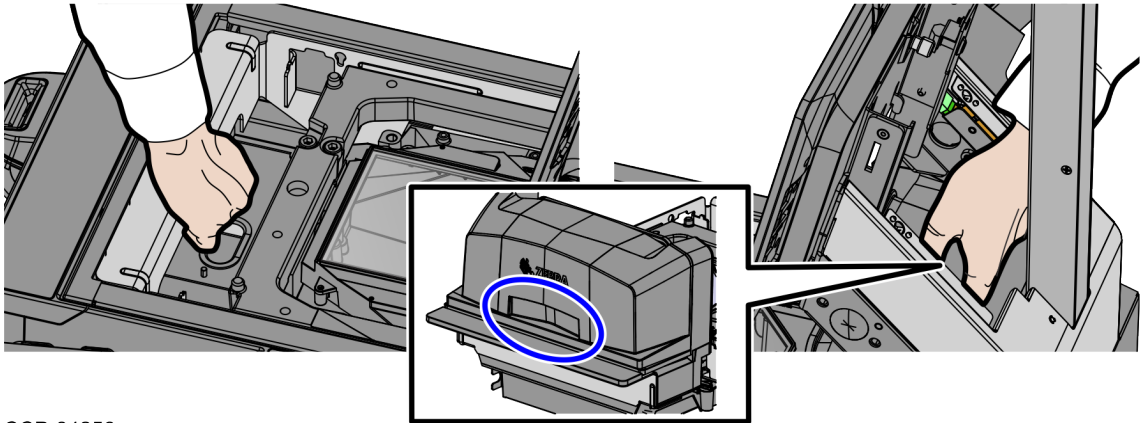


CCP-84153

Removing the 7895 Scanner/Scale from Common Product NameFull Function Configuration

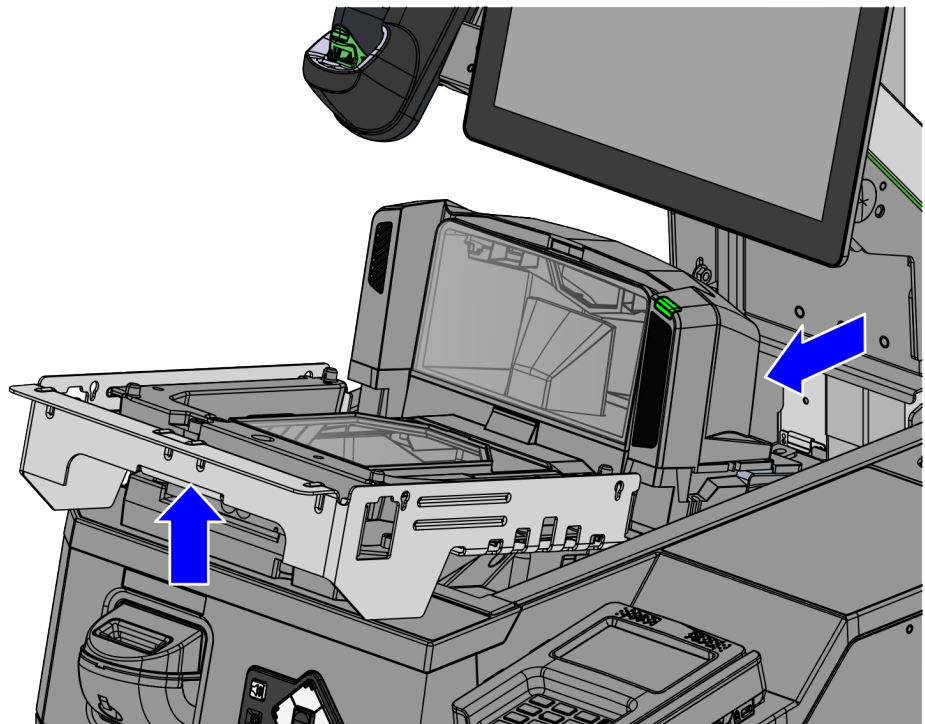
To remove the NCR 7895 Scanner/Scale, follow these steps:

1. Remove the Scanner/Scale Top Plate. For more information, refer to [Removing the 7895 Scanner/Scale Top Plate on page 36](#).
2. Grasp the front of the Scanner/Scale and the back of the Scanner/Scale through the Tower Cabinet rear opening, as shown in the image below.



CCP-84256

3. Lift the front handle of the Scanner/Scale and then push the back of the Scanner/Scale to the front to remove it from the Scanner Bucket, as shown in the image below.



CCP-84257

Confidential and proprietary information of NCR Voyix Corporation.
Unauthorized use, reproduction and/or distribution is strictly prohibited.

- Disconnect the cables from the 7895.

Note

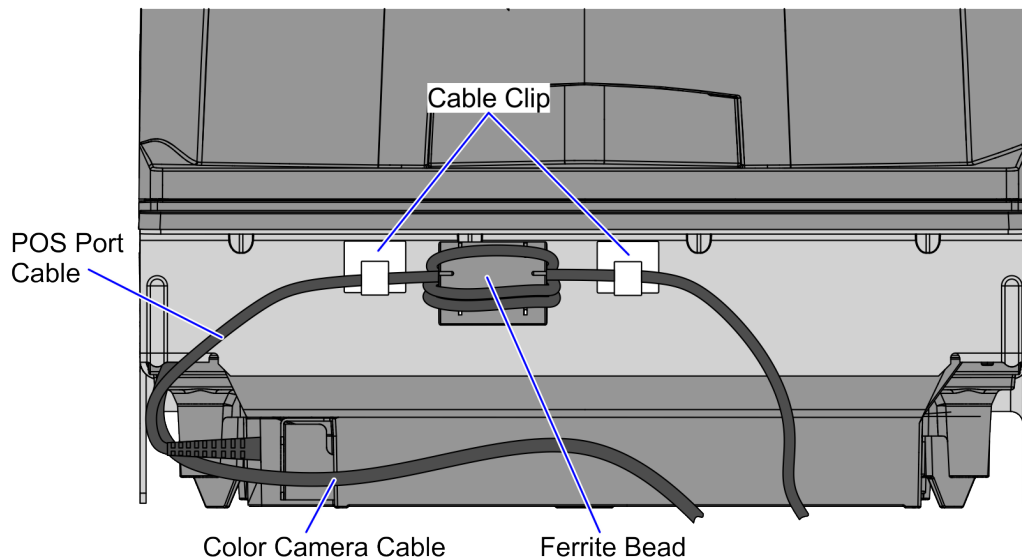
If removing Scanner/Scale with Sensormatic® features, remove the Sensormatic® Interface cable.

Tip

Mark all cables as to where they are connected to quickly determine the corresponding port when reconnecting the cables.

Cable	Scanner/Scale Port
Camera cable	Internal Port
Main cable	POS Port
Scale Display (If applicable)	7895 Single or Dual Head Scale Pole Display

- Remove the POS Port cable from the cable clips at the back of the, as shown in the image below.



CCP-81947

- Bundle the disconnected cables in a loop and secure it in the Scanner Bucket.

Installing the 7895 Scanner/Scale

To install the NCR 7895 Scanner/Scale in the Self-Checkout unit, follow these steps:



Note

Remove the existing 7895 Scanner/Scale. To streamline the installation procedure, install the Electronic Article Surveillance (EAS) components before installing the Scanner/Scale in the Self-Checkout unit.

1. Check and ensure that the leveling screws of the Scanner/Scale are leveled. If necessary, adjust the four (4) leveling screws located on the bottom of the device.
2. Connect the cables to their corresponding ports on the Scanner/Scale.

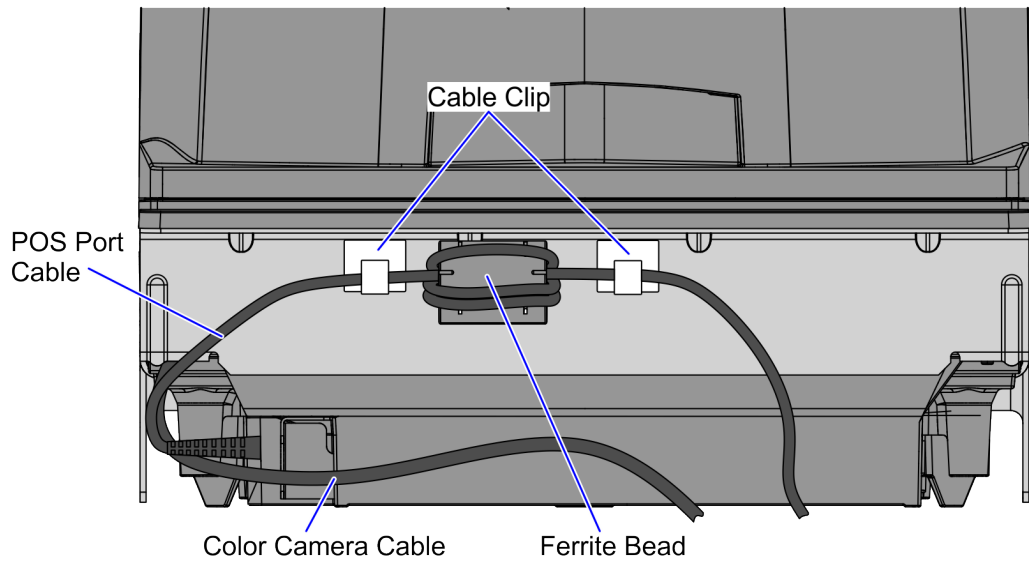


Caution

Check and ensure that the right cables are correctly plugged into the Scanner/Scale Ports.

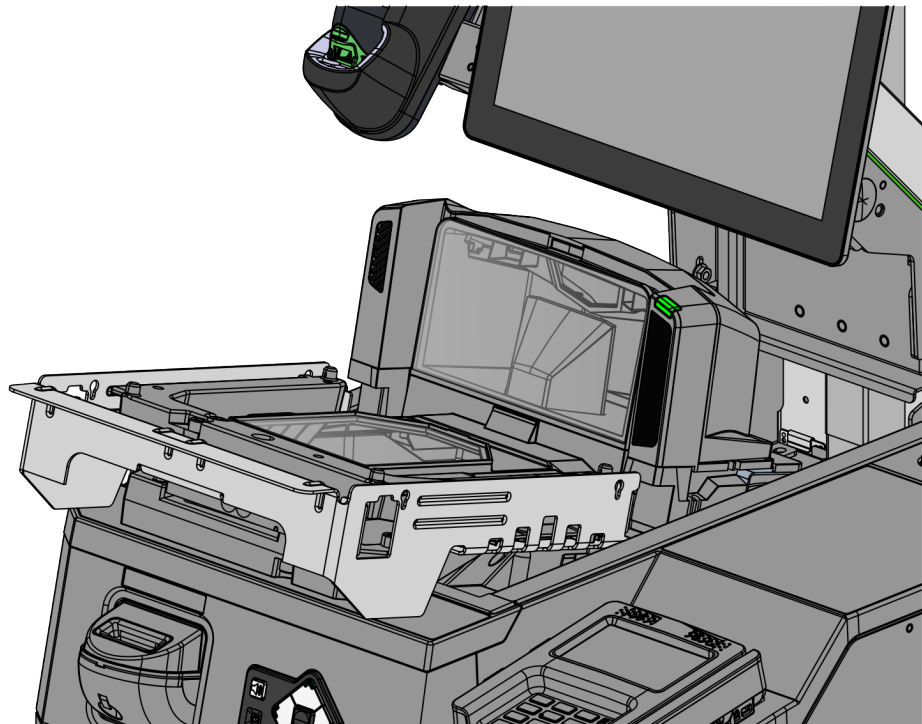
Cable	Scanner/Scale Port
Camera cable <div data-bbox="304 1021 689 1357">Note The Color Camera USB Cable is not shipped with the 7895 Scanner/Scale unit. It is purchased separately and needs to be installed during the initial setup of the unit.</div>	Internal Port
Main cable	POS Port
Scale Display (if applicable)	7895 Single or Dual Head Scale Pole Display

3. Route the POS Port cable to the back of the Scanner/Scale and secure the cable at each end of the Ferrite Bead to the corresponding cable clips, as shown in the image below.



CCP-81947

4. Tilt the Scanner/Scale while placing it in the Scanner Bucket, as shown in the image below.



CCP-84263

Confidential and proprietary information of NCR Voyix Corporation.
Unauthorized use, reproduction and/or distribution is strictly prohibited.

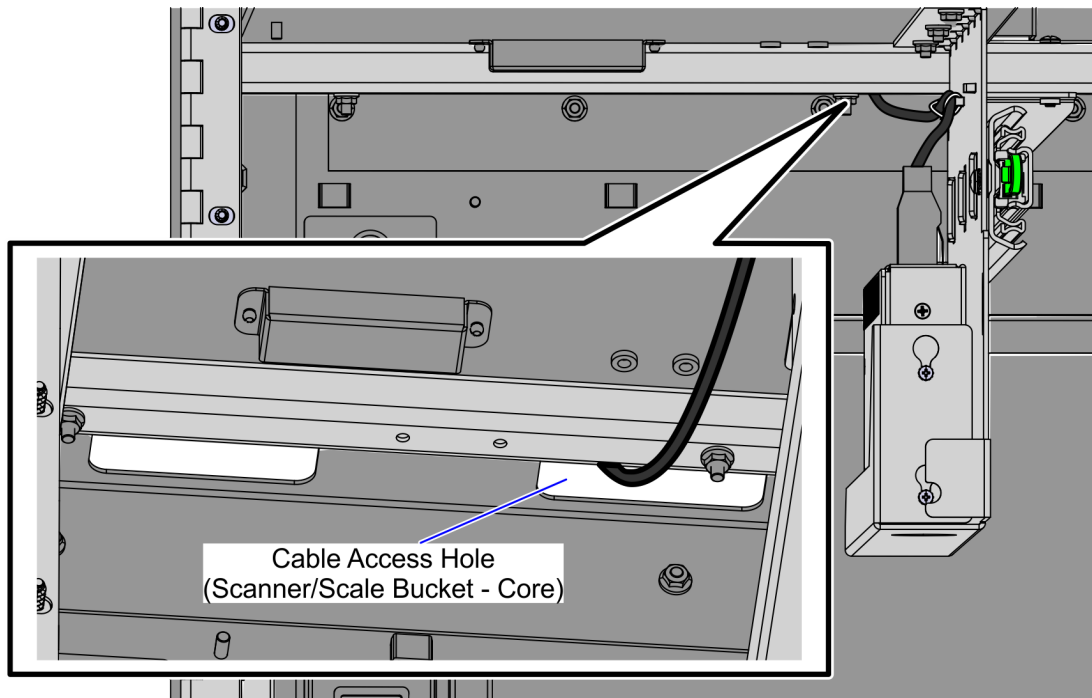
5. Install the Scanner/Scale Top Plate. For more information, refer to [Installing the 7895 Scanner/Scale Top Plate on page 37](#).



Caution

The Top of the Top Plate is still part of the weighing surface. Ensure that the cables are not touching the Top of the Top Plate.

6. From the Scanner Bucket, route the cable down through the cable access hole going to the Core (Cabinet), as shown in the image below.

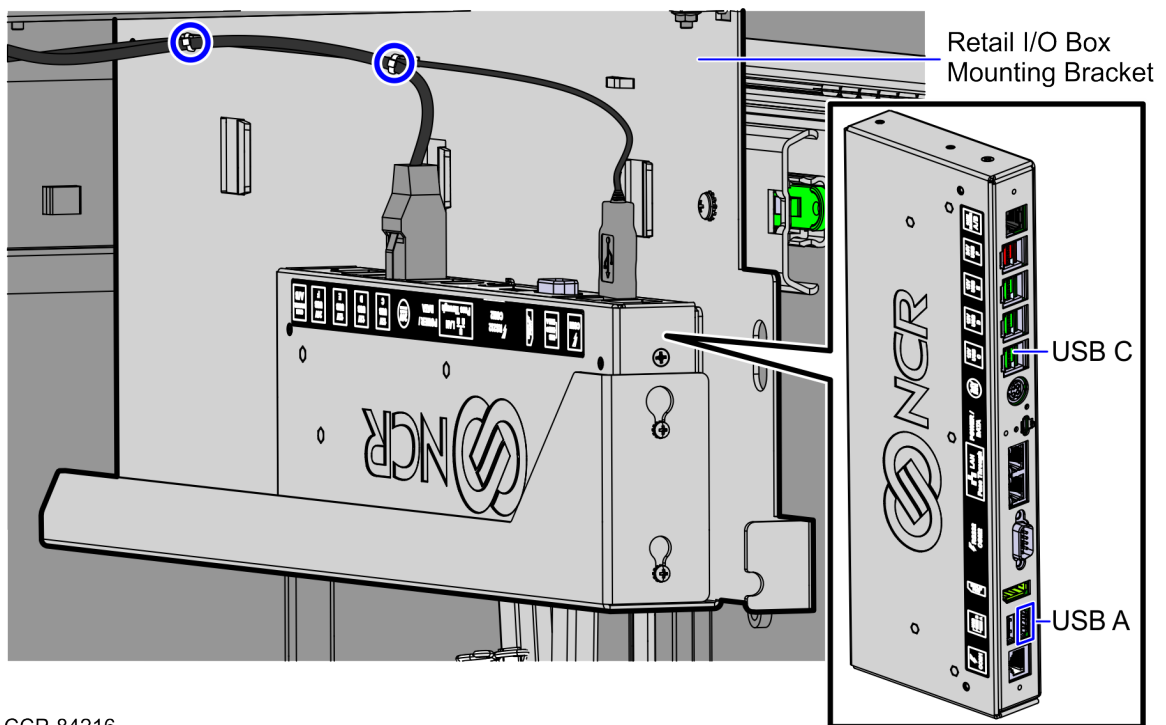


CCP-83864

- Connect the other end of the scanner cables to the corresponding ports in the Retail I/O Box and then secure the cables on the lance bridges using cable ties.

⚠ Caution
Check and ensure that the right cables are correctly plugged into the Retail I/O Box.

Cable	Retail I/O Box Port
Camera cable	Retail I/O Box (USB 3.0 Port A)
Main cable	Retail I/O Box (USB + Power Port C (+12 V @ 2.0 A))



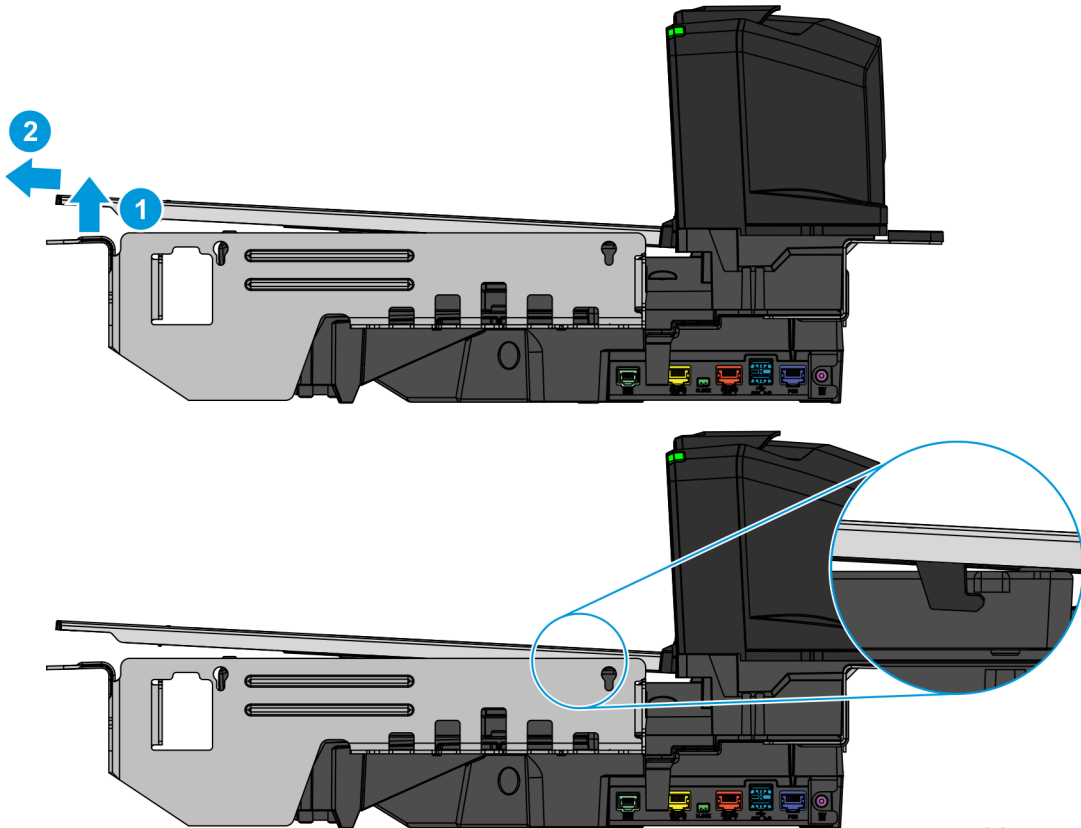
CCP-84216

i Note
The Scanner/Scale must be calibrated before the system goes live. For more information, refer to [NCR 7895 Scanner/Scale Calibration Quick Reference Guide](#) (BCC5-0000-5605).

Removing the 7895 Scanner/Scale Top Plate

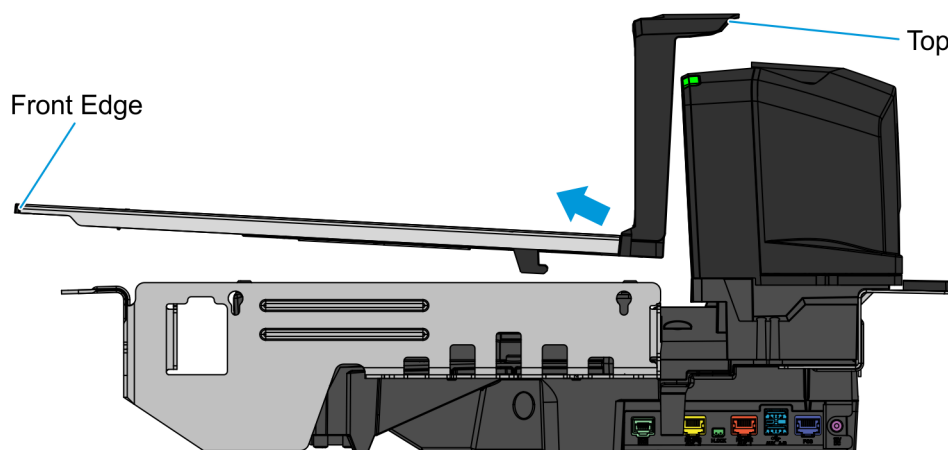
To remove the 7895 Scanner/Scale Top Plate, follow these steps:

1. Slightly lift up the front edge of the Top Plate and slide the Top Plate forward until its hooks are released from the positioning tabs on the scale.



CCP-80081

2. Hold the front edge and the top of the Top Plate to pull lift it off the Scanner/Scale.



CCP-80080

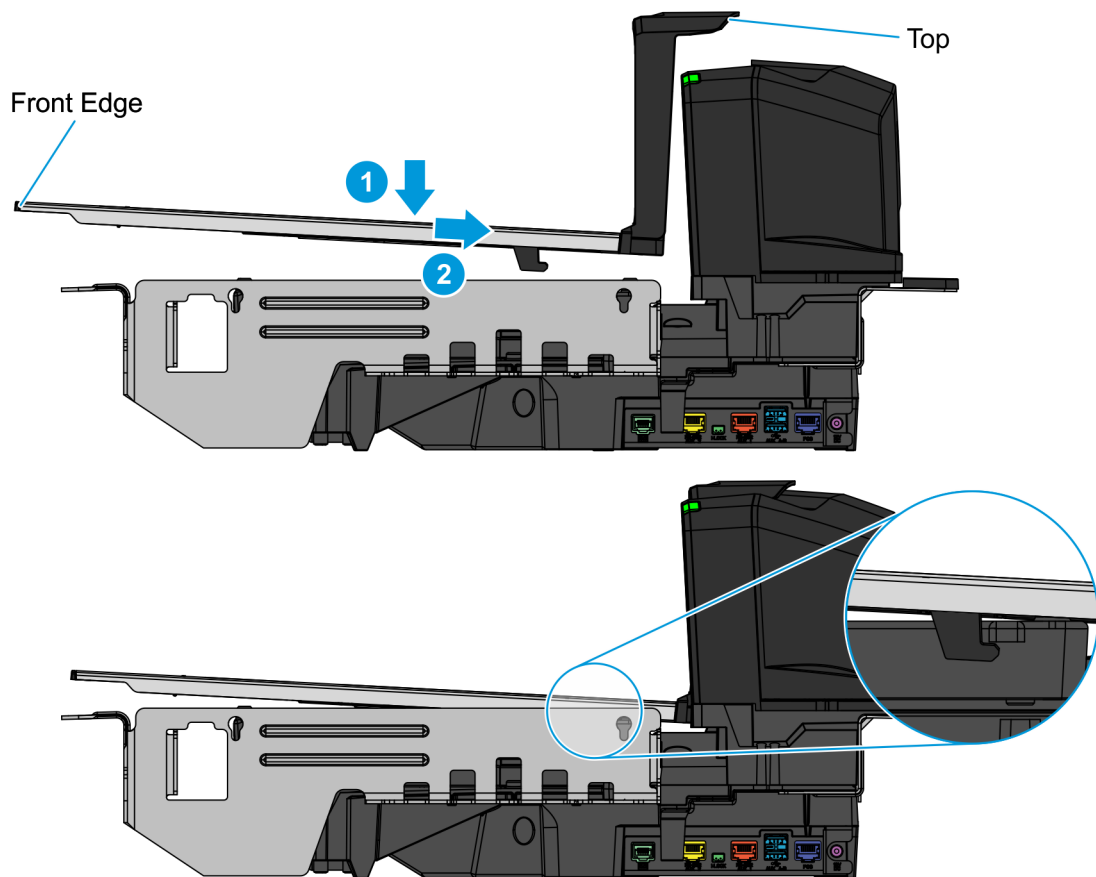
Installing the 7895 Scanner/Scale Top Plate

To install the 7895 Scanner/Scale Top Plate, follow these steps:

Note
If necessary, remove the Scanner/Scale from the unit and adjust the leveling feet.

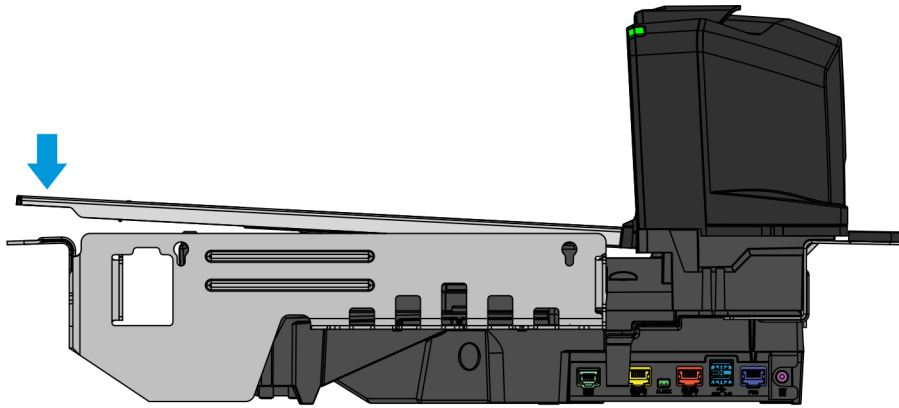
1. Hold the front edge and the top of the Top Plate while slightly tilting the Top Plate and then position the Top Plate on top of the scanner base.
2. Slide the Top Plate onto the scanner base until the hooks on the bottom of the Top Plate are positioned under the tabs on the scale.

Caution
The Top of the Top Plate is still part of the weighing surface. Ensure that the cables are not touching the Top of the Top Plate.



CCP-80079

3. Lower the front edge of the Top Plate until the Top Plate sits securely on the scanner base.



CCP-80078