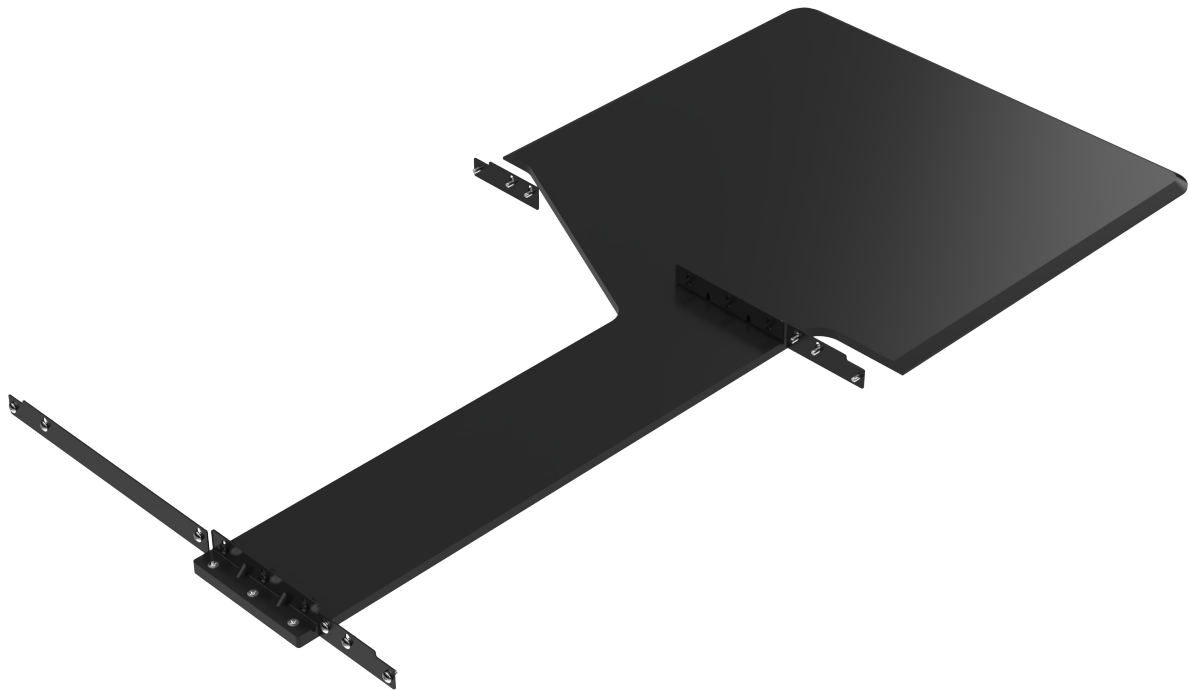




Kit Instructions

Hybrid Anti-Tipping Plate



7371-K155

Issue A

The product described in this document is a licensed product of NCR Corporation.

NCR is a registered trademark of NCR Corporation. NCR Self-Checkout Hardware is a trademark of NCR Corporation in the United States and/or other countries. Other product names mentioned in this publication may be trademarks or registered trademarks of their respective companies and are hereby acknowledged.

The terms HDMI and HDMI High-Definition Multimedia Interface, and the HDMI Logo are trademarks or registered trademarks of HDMI Licensing LLC in the United States and other countries.

Where creation of derivative works, modifications or copies of this NCR copyrighted documentation is permitted under the terms and conditions of an agreement you have with NCR, NCR's copyright notice must be included.

It is the policy of NCR Corporation (NCR) to improve products as new technology, components, software, and firmware become available. NCR, therefore, reserves the right to change specifications without prior notice.

All features, functions, and operations described herein may not be marketed by NCR in all parts of the world. In some instances, photographs are of equipment prototypes. Therefore, before using this document, consult with your NCR representative or NCR office for information that is applicable and current.

Copyright © 2023

By NCR Voyix Corporation
Global Headquarters
864 Spring St. NW
Atlanta, GA 30308
United States
All Rights Reserved

Confidential and proprietary information of NCR Voyix Corporation.
Unauthorized use, reproduction and/or distribution is strictly prohibited.

Revision Record

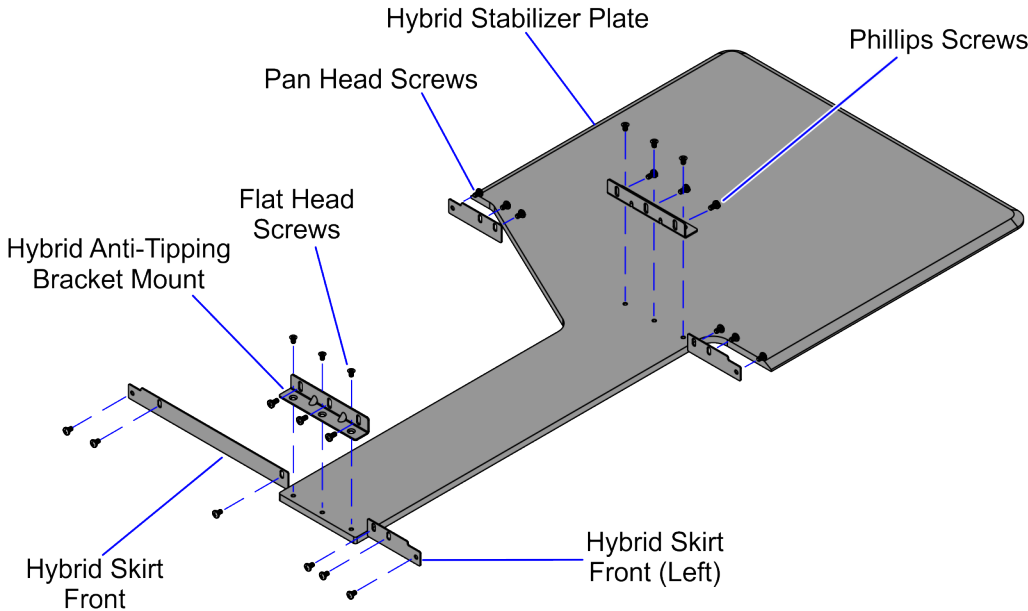
Issue	Date	Remarks
A	Oct 2023	First issue.

Confidential and proprietary information of NCR Voyix Corporation.
Unauthorized use, reproduction and/or distribution is strictly prohibited.

Hybrid Anti-Tipping Plate

This publication provides procedures for installing the 7371-K155 Hybrid Anti-Tipping Plate to the 7371 NCR Self-Checkout Hardware - Full Function Self-Checkout (Hybrid) unit.

Kit Contents



CCP-83051

Part Number	Description
497-0535653	7371-K155 Hybrid Anti-Tipping Plate
497-0535224	Hybrid Stabilizer Plate (1 pc)
497-0535578	Bracket Mount Anti-Tipping Hybrid (2 pcs)
006-8624481	Screw - M5X8, Flat Head, Phillips, Machine Screw (6 pcs)
006-8628720	Black-Oxide 18-8 Stainless Steel Pan Head Phillips Screws M5 x 0.80 mm Thread, 10mm Long (6 pcs)
497-0535649	Skirt Front Hybrid 1 pc)
497-0535650	Skirt Front Hybrid Left (3 pcs)

Confidential and proprietary information of NCR Voyix Corporation.
 Unauthorized use, reproduction and/or distribution is strictly prohibited.

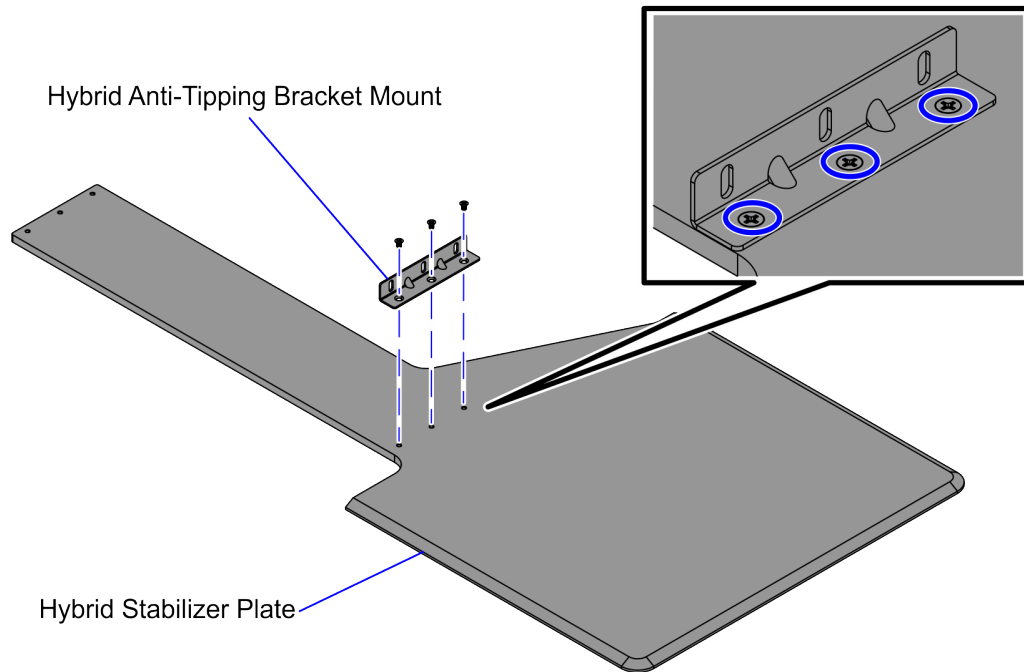
Part Number	Description
006-8623181	Screw – M5 x 0.8, 8mm length, Machine, Pan Head, Black Zinc (12 pcs)
* 497-0423108	Instructions Kit (Reference Sheet)

* Items marked with an asterisk are not called out on the image.

Installation Procedure

To install the 7371-K155 Hybrid Anti-Tipping Plate, follow these steps:

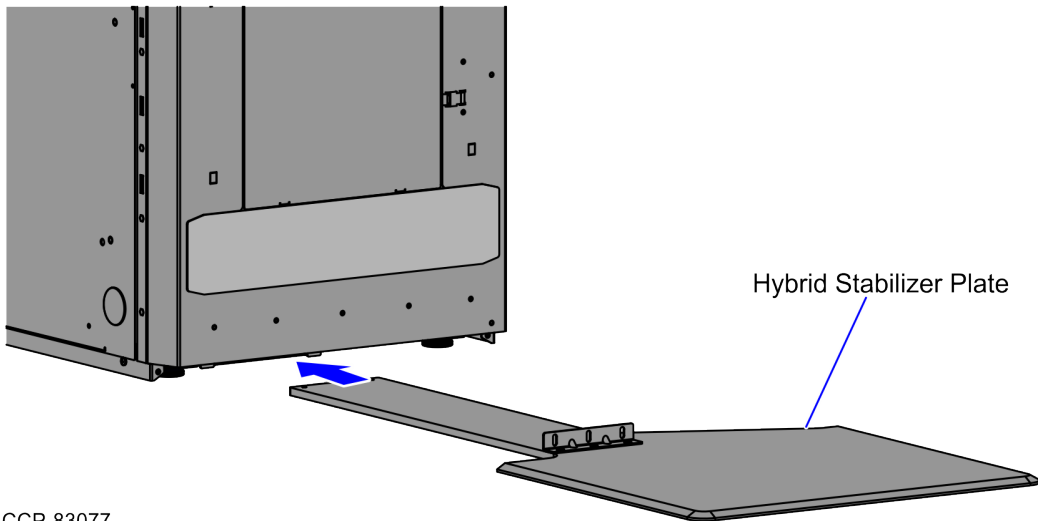
1. Install one (1) Hybrid Anti-Tipping Bracket Mount to the rear of the Hybrid Stabilizer Plate, as shown in the image below. Secure the bracket using three (3) pan head screws.



CCP-83076

Confidential and proprietary information of NCR Voyix Corporation.
Unauthorized use, reproduction and/or distribution is strictly prohibited.

- From the back of the unit, slide the Hybrid Stabilizer Plate through the bottom of the Core (Cabinet).

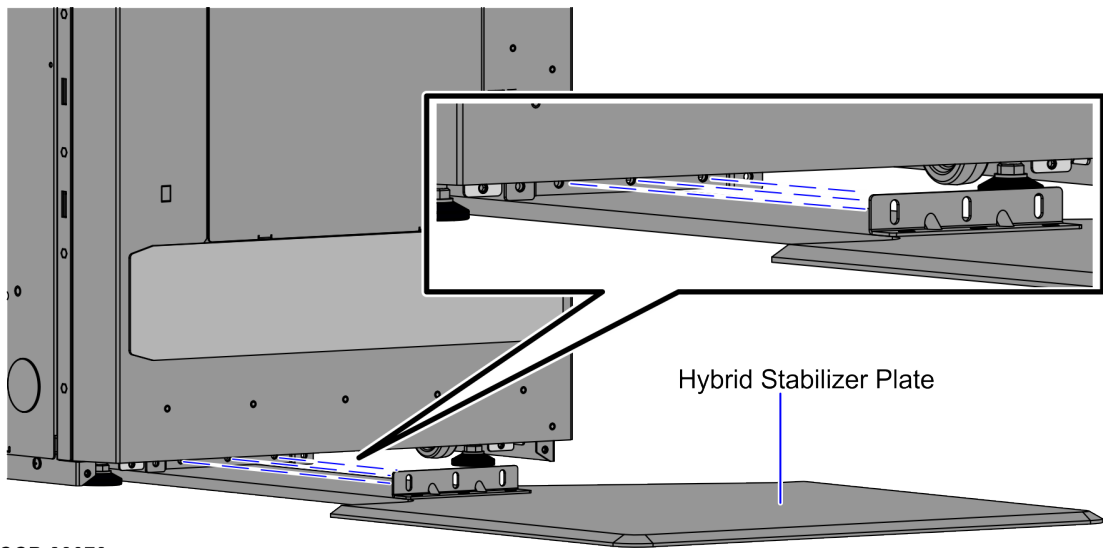


CCP-83077

i Note

Adjust the leveling feet to easily slide the Hybrid Stabilizer Plate.

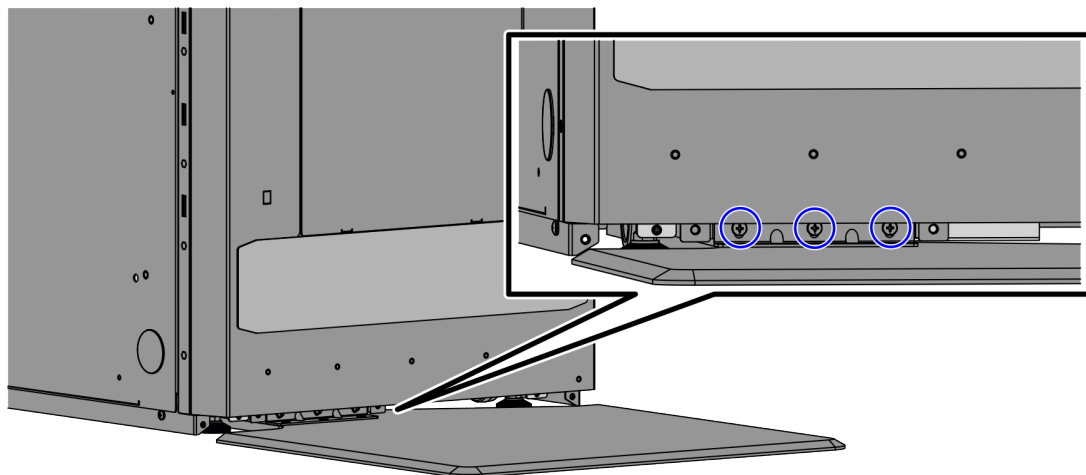
- Drop all of the leveling feet until the holes of the Hybrid Anti-Tipping Bracket Mount are aligned with the corresponding holes on the Core (Cabinet) bracket.



CCP-83078

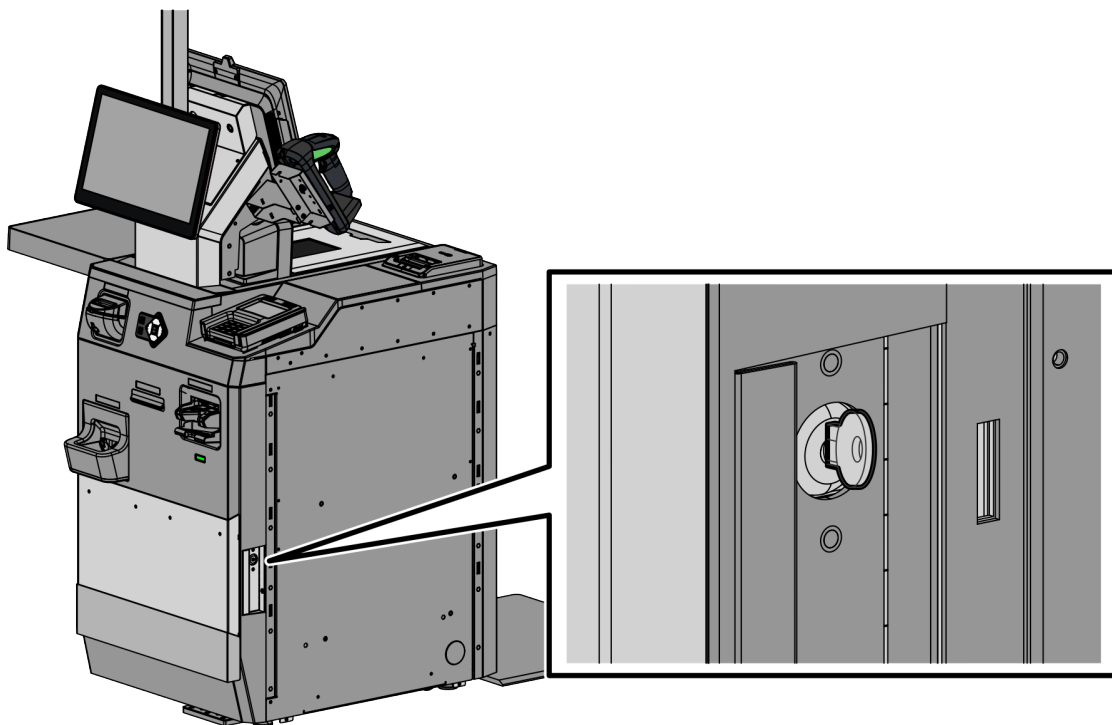
Confidential and proprietary information of NCR Voyix Corporation.
Unauthorized use, reproduction and/or distribution is strictly prohibited.

4. Secure the Hybrid Stabilizer Plate assembly to the cabinet bracket using three (3) flat head screws.



CCP-83079

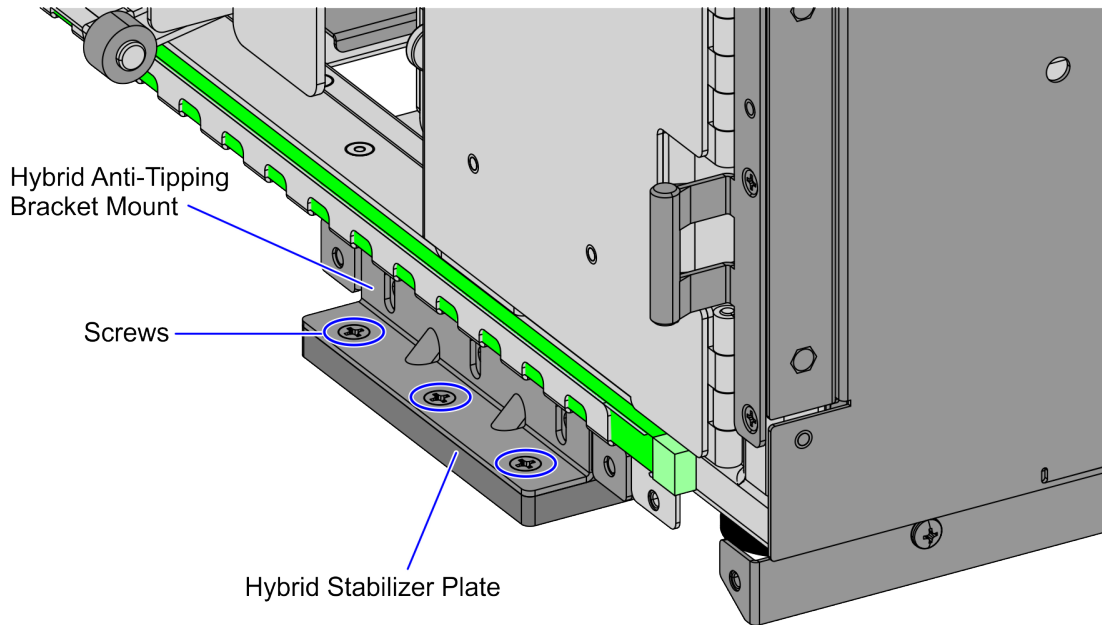
5. Unlock and open the Cosmetic Door using a key.



CCP-83080

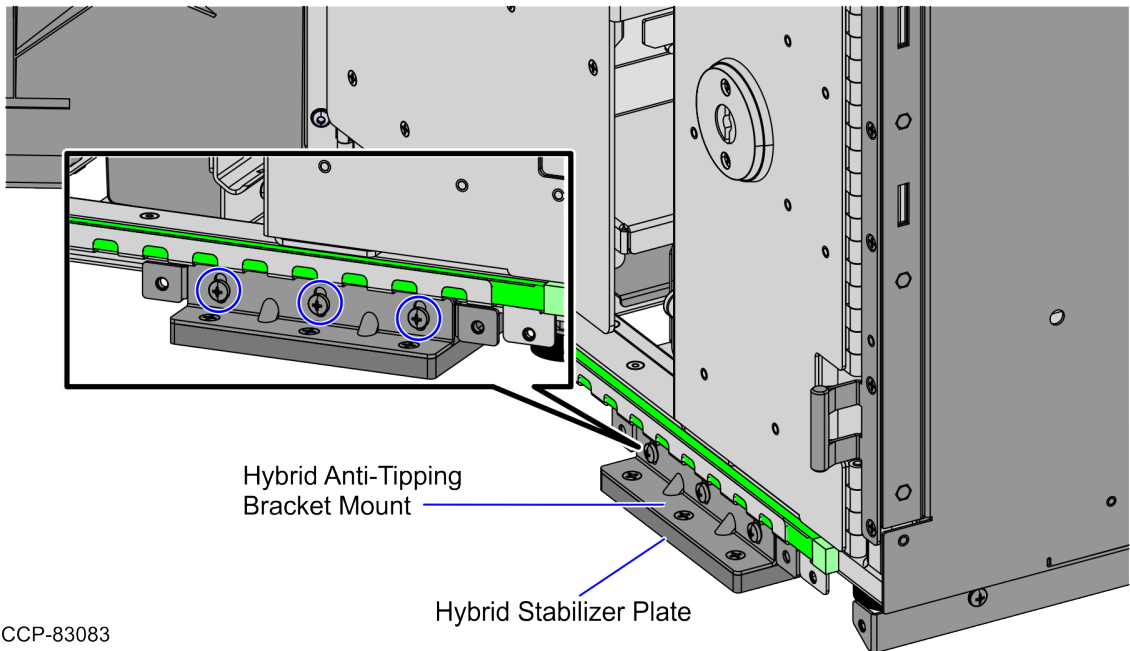
Confidential and proprietary information of NCR Voyix Corporation.
Unauthorized use, reproduction and/or distribution is strictly prohibited.

6. Secure the Hybrid Anti-Tipping Bracket Mount to the front of the Hybrid Stabilizer Plate using three (3) flat head screws, as shown in the image below.



CCP-83082

7. Secure the Hybrid Stabilizer Plate assembly to the front cabinet bracket using three (3) flat head screws, as shown in the image below.



CCP-83083

Confidential and proprietary information of NCR Voyix Corporation.
Unauthorized use, reproduction and/or distribution is strictly prohibited.

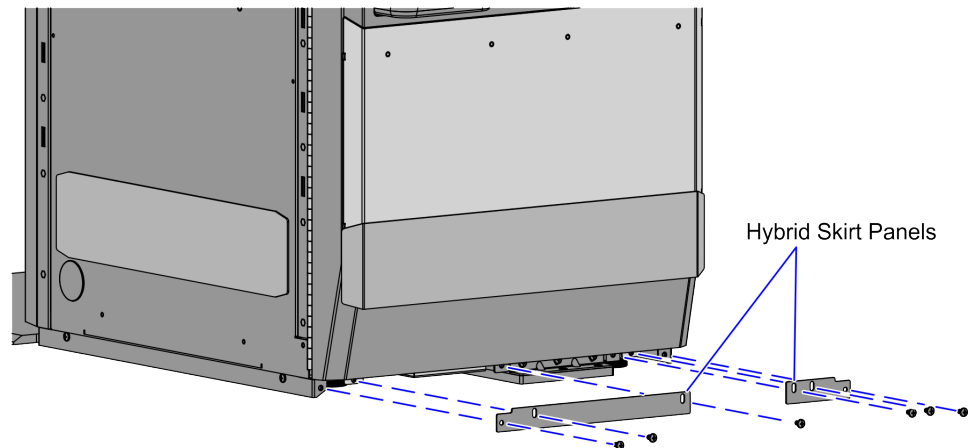
8. Install the Skirt panels on the sides of the Core (Cabinet). For more information, refer to [7371-K150 Core \(Cabinet\) Skirt \(No-Bag\)](#).

i Note
The Side Skirt panels must be installed before the front and back skirt panels.

9. Install the Hybrid Skirts on the front and back of the Core (Cabinet) by doing the following:

i Note
The Hybrid Skirt panels must be installed after the Core (Cabinet) Side Skirt panels.

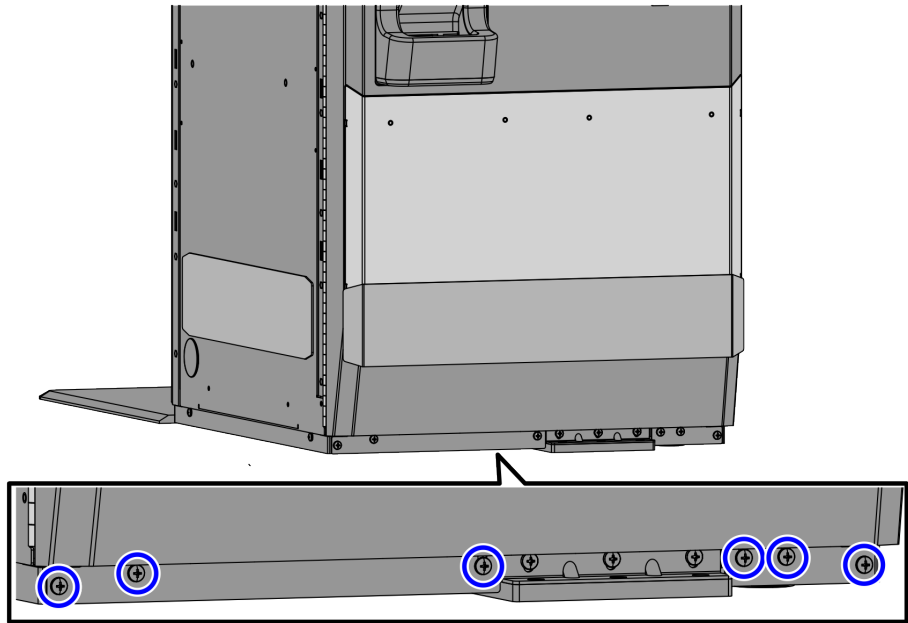
- a. On the front of the Core (Cabinet), do the following:
 - i. Attach the Hybrid Skirt panels to the skirt bracket by aligning the open slots in the skirt panel with the screw holes in the skirt bracket.



CCP-83061

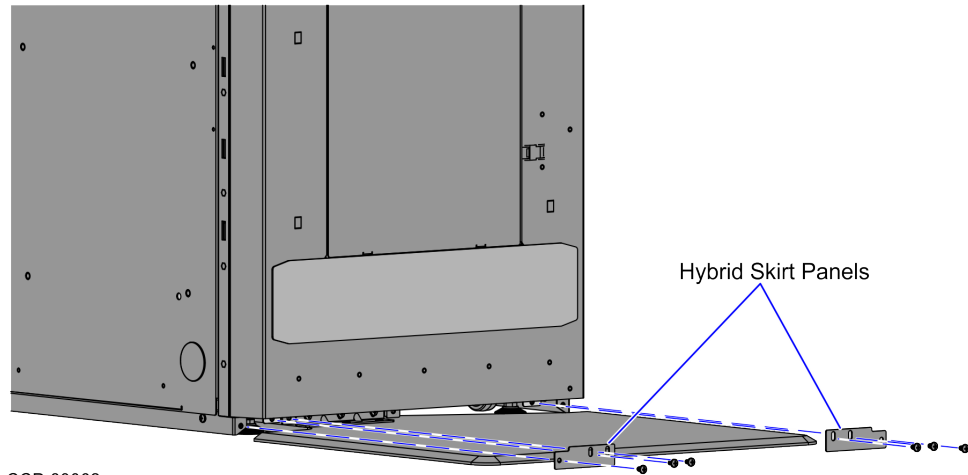
- ii. Secure each skirt panel to the bracket using three (3) screws.
 - iii. Adjust the skirt panels so that each panel is flush with the floor.

- iv. Tighten the screws to secure the skirts in place.



CCP-83073

- b. On the back of the Core (Cabinet), do the following:
 - i. Attach the Hybrid Skirt panels to the skirt bracket by aligning the open slots in the skirt panel with the screw holes in the skirt bracket.



CCP-83062

- ii. Secure each skirt panel to the bracket using three (3) screws.
- iii. Adjust the skirt panels so that each panel is flush with the floor.
- iv. Tighten the screws to secure the skirts in place.

