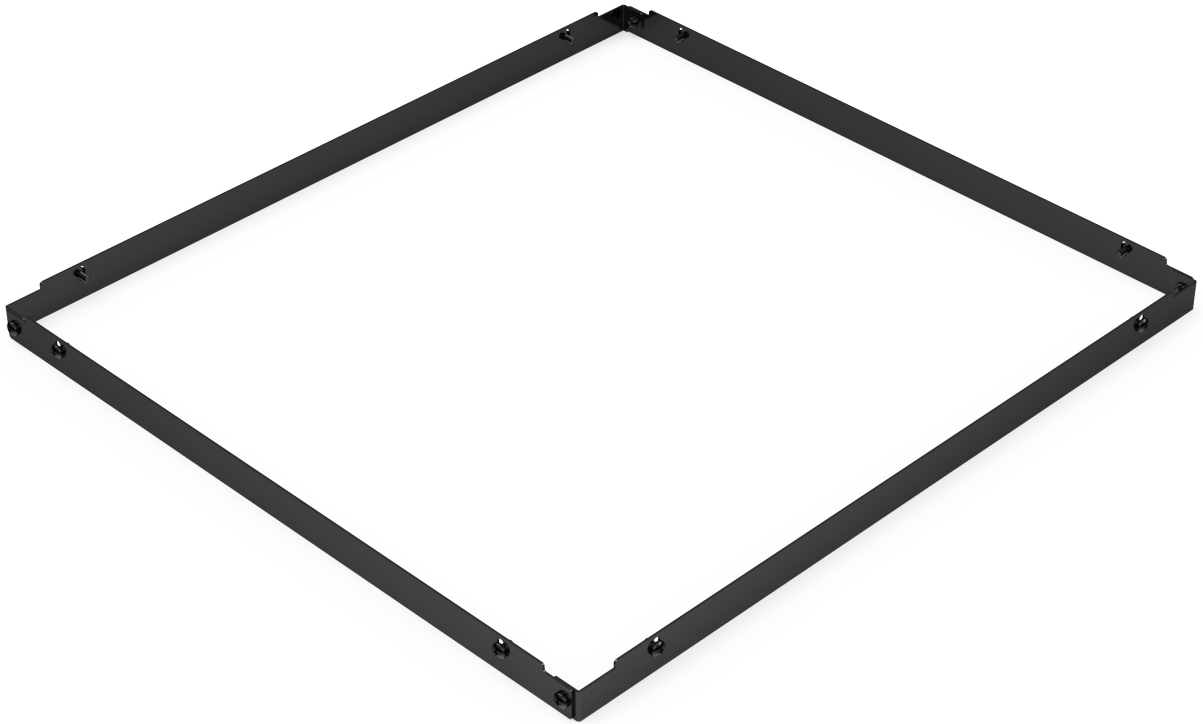




Kit Instructions

Core Cabinet Skirt (No-Bag)



7371-K150

Issue A

The product described in this document is a licensed product of NCR Corporation.

NCR is a registered trademark of NCR Corporation. NCR Self-Checkout Hardware is a trademark of NCR Corporation in the United States and/or other countries. Other product names mentioned in this publication may be trademarks or registered trademarks of their respective companies and are hereby acknowledged.

The terms HDMI and HDMI High-Definition Multimedia Interface, and the HDMI Logo are trademarks or registered trademarks of HDMI Licensing LLC in the United States and other countries.

Where creation of derivative works, modifications or copies of this NCR copyrighted documentation is permitted under the terms and conditions of an agreement you have with NCR, NCR's copyright notice must be included.

It is the policy of NCR Corporation (NCR) to improve products as new technology, components, software, and firmware become available. NCR, therefore, reserves the right to change specifications without prior notice.

All features, functions, and operations described herein may not be marketed by NCR in all parts of the world. In some instances, photographs are of equipment prototypes. Therefore, before using this document, consult with your NCR representative or NCR office for information that is applicable and current.

Copyright © 2023

By NCR Voyix Corporation

Global Headquarters

864 Spring St. NW

Atlanta, GA 30308

United States

All Rights Reserved

Confidential and proprietary information of NCR Voyix Corporation.

Unauthorized use, reproduction and/or distribution is strictly prohibited.

Revision Record

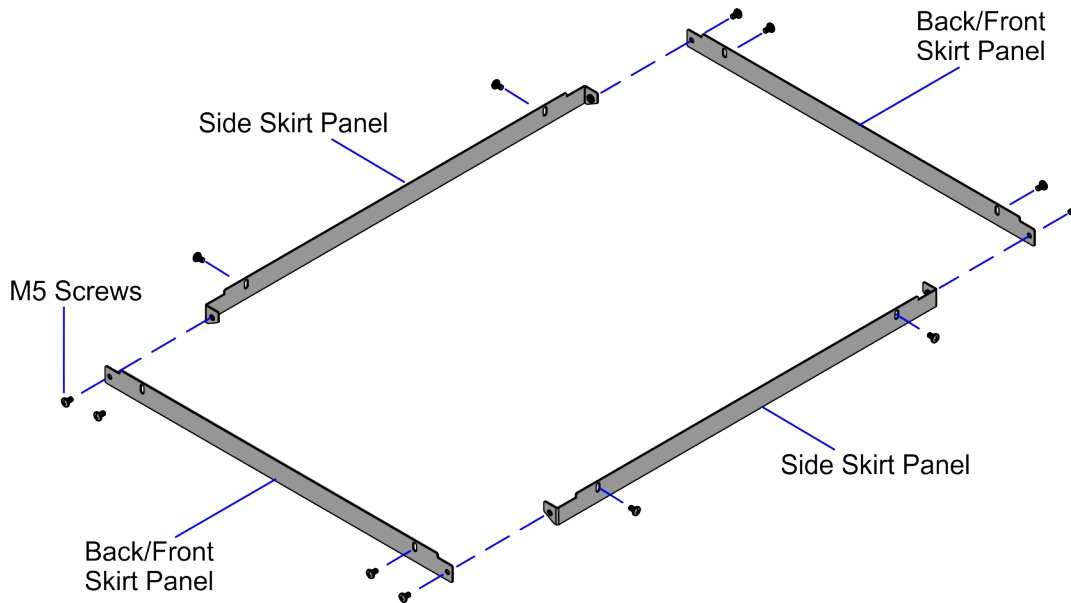
| Issue | Date | Remarks |
|-------|----------|--------------|
| A | Nov 2023 | First issue. |
| | | |

Confidential and proprietary information of NCR Voyix Corporation.
Unauthorized use, reproduction and/or distribution is strictly prohibited.

Core Cabinet Skirt (No-Bag)

This publication provides instructions for installing the 7371-K150 Core Cabinet Skirt (No-Bag) kit on the NCR Self-Checkout Hardware (7371) unit.

Kit Contents



CCP-82781

| | Description |
|---------------|---|
| 497-0534354 | Kit - Skirt - No Bag |
| 006-8623181 | Screw – M5 X 0.8, 8Mm Length, Machine, Pan Head, Black Oxide (12 Pcs) |
| 497-0534355 | Skirt - Side (2 Pcs) |
| 497-0534356 | Skirt - Front / Back (2 Pcs) |
| * 497-0423108 | Instructions Kit (Reference Sheet) |

* Items marked with an asterisk are not called out on the image.

Confidential and proprietary information of NCR Voyix Corporation.
Unauthorized use, reproduction and/or distribution is strictly prohibited.

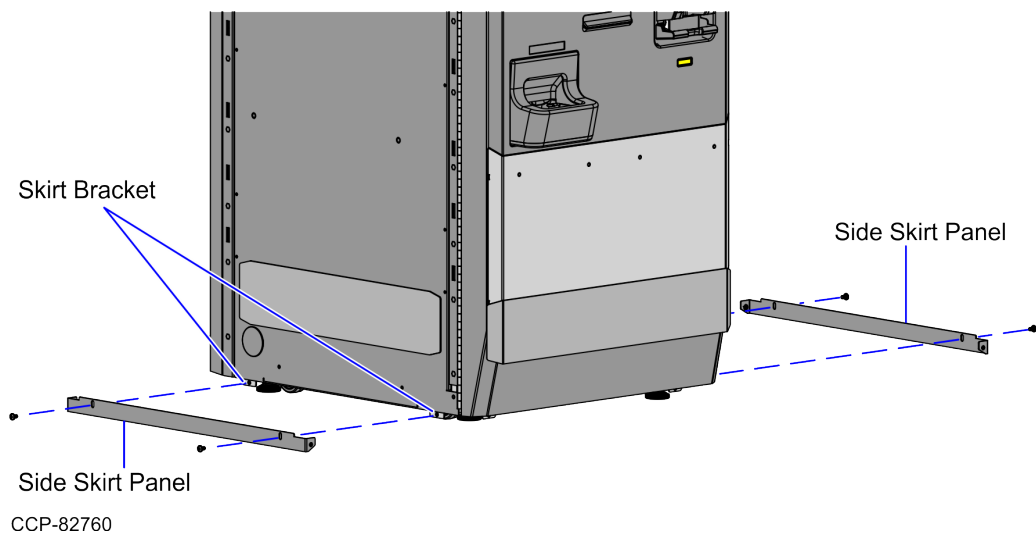
Installation Procedure

To install the 7371-K150 No-Bag Skirt Panels kit, follow these steps:

1. On either sides of the Core (Cabinet), do the following:

i Note
The side skirt panels must be installed before the front and back skirt panels.

- a. Detach the Side Panels from each side of the Core Cabinet. For more information, refer to [Removing the side panels from the Core \(Cabinet\)](#).
- b. Attach the skirt panel to the skirt bracket by aligning the open slots in the skirt panel with the screw holes in the skirt bracket.



- c. Secure each skirt panel to the bracket using two (2) screws.
- d. Adjust the skirt panel so that it is flush with the floor.
- e. Tighten the screws to secure the skirts in place.
- f. Attach the Side Panels on each side of the Core Cabinet. For more information, refer to [Installing the side panels on the Core \(Cabinet\)](#).

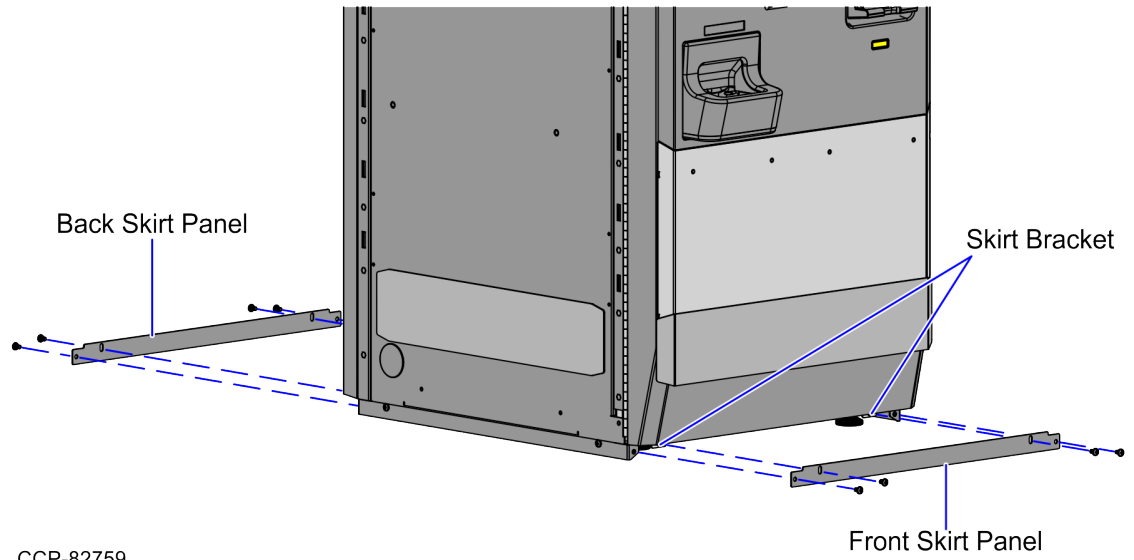
2. On the front or back of the Core (Cabinet), do the following:

i Note
The front and back skirt panels must be installed after the side skirt panels.

- a. Attach the skirt panel to the skirt bracket by aligning the open slots in the skirt panel with the screw holes in the skirt bracket.

Confidential and proprietary information of NCR Voyix Corporation.

Unauthorized use, reproduction and/or distribution is strictly prohibited.



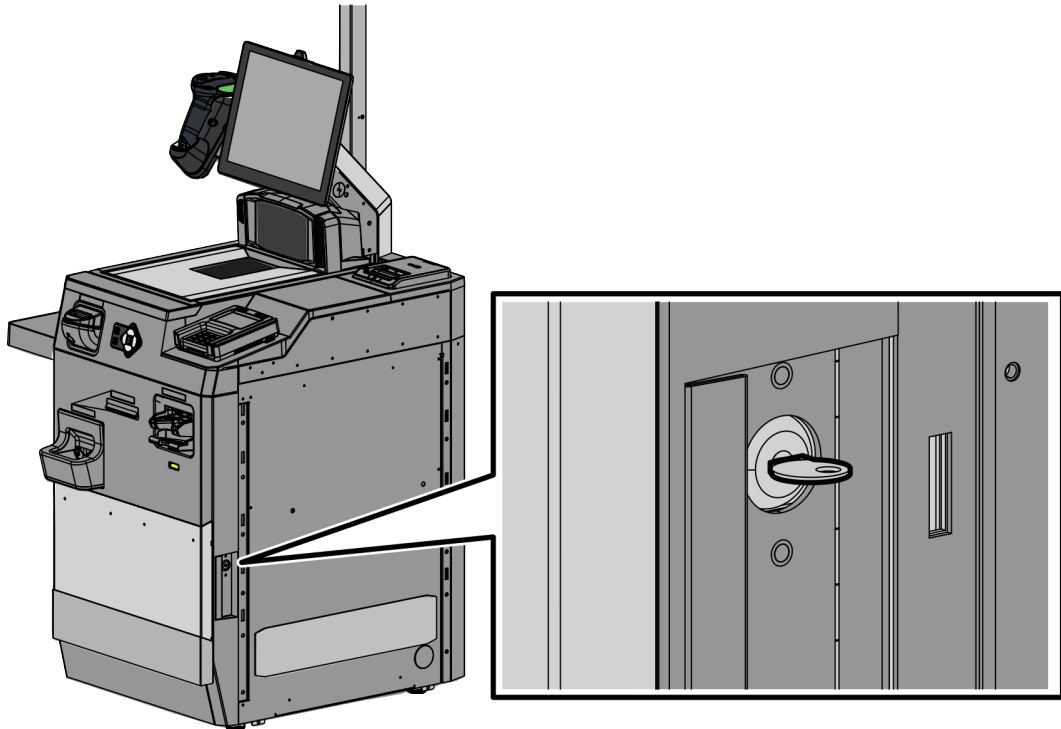
CCP-82759

- b. Secure each skirt panel to the bracket using four (4) screws.
- c. Adjust the skirt panel so that it is flush with the floor.
- d. Tighten the screws to secure the skirts in place.

Removing the side panels from the Core (Cabinet)

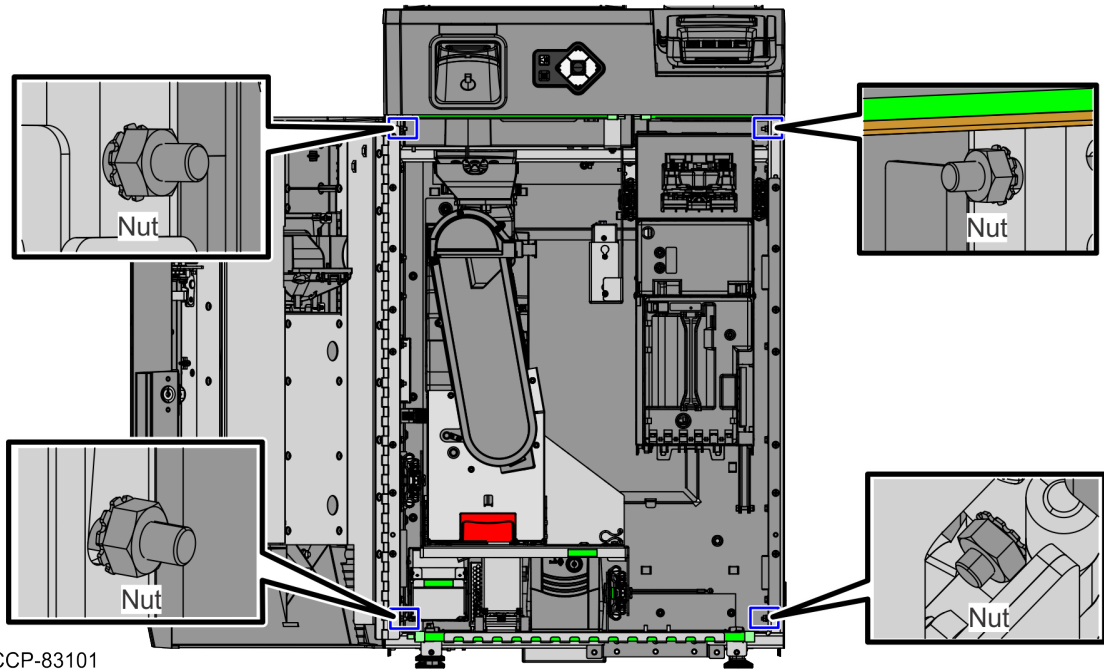
To remove the side panels from the Core (Cabinet), follow these steps:

1. Unlock and open the Cosmetic Door using a key.



CCP-83102

2. Detach the Side Panels by removing two (2) nuts from each side of the Core (Cabinet), as shown in the image below.



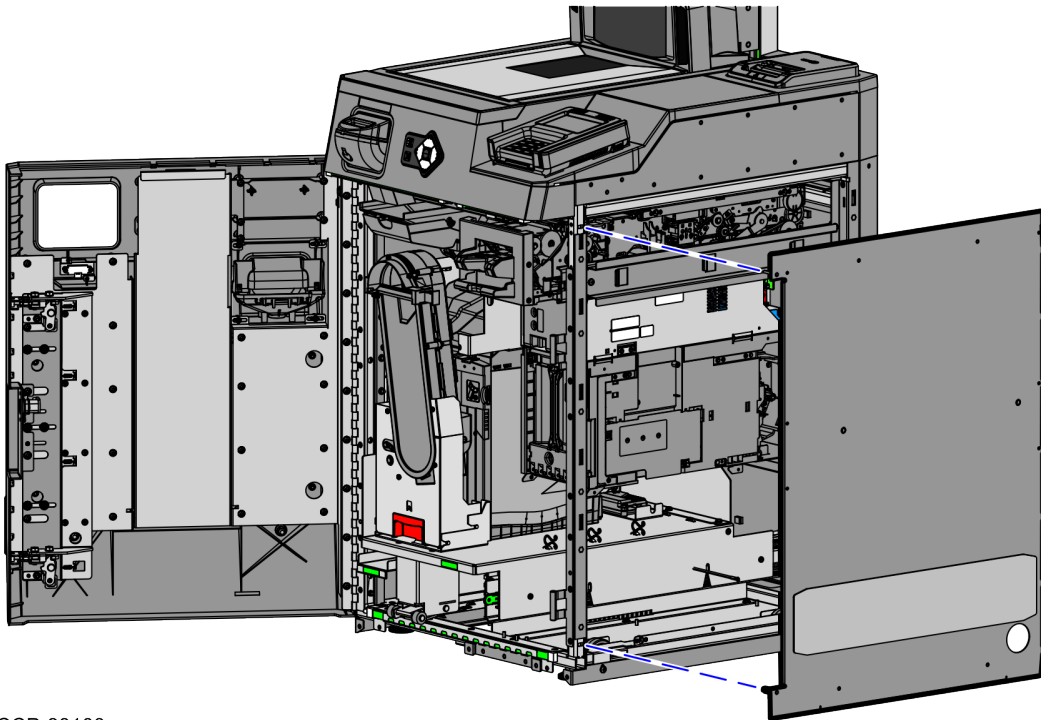
CCP-83101

Confidential and proprietary information of NCR Voyix Corporation.
Unauthorized use, reproduction and/or distribution is strictly prohibited.

Installing the side panels on the Core (Cabinet)

To install the side panels on the Core (Cabinet), follow these steps:

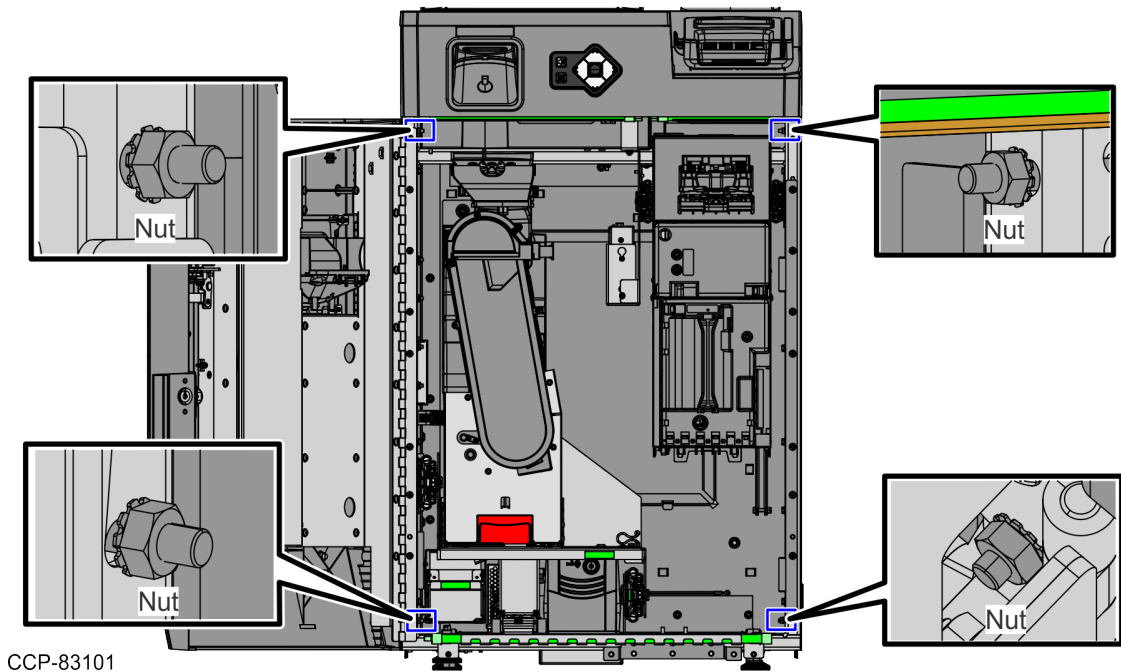
1. On each side of the Core (Cabinet), align the studs on the side panel to the corresponding holes on the Core (Cabinet) Frame, as shown in the example below.



CCP-83103

Confidential and proprietary information of NCR Voyix Corporation.
Unauthorized use, reproduction and/or distribution is strictly prohibited.

2. Secure each side panel using two (2) nuts, as shown in the image below.



CCP-83101

Confidential and proprietary information of NCR Voyix Corporation.
Unauthorized use, reproduction and/or distribution is strictly prohibited.