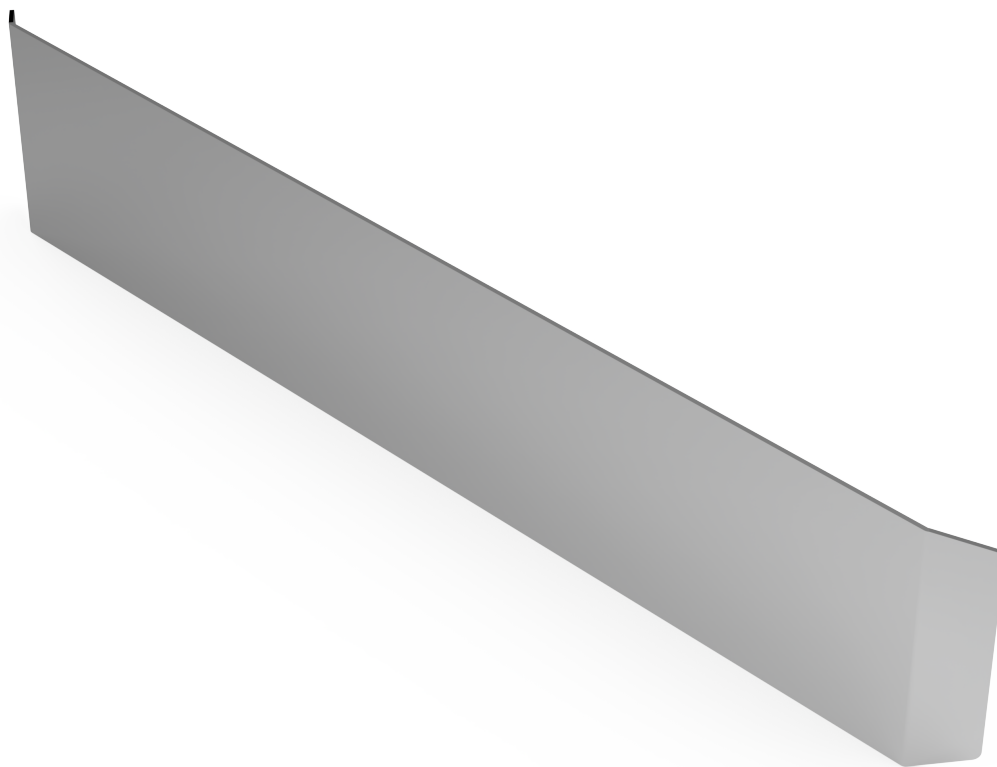




Kit Instructions

Core Cabinet Lower Bumper (Front Only)



7371-K140

Issue A

Copyright

The product described in this document is a licensed product of NCR Corporation.

NCR is a registered trademark of NCR Corporation. NCR [Product] is a trademark of NCR Corporation in the United States and/or other countries. Other product names mentioned in this publication may be trademarks or registered trademarks of their respective companies and are hereby acknowledged.



Java is a registered trademark of Oracle and/or its affiliates.

The terms HDMI and HDMI High-Definition Multimedia Interface, and the HDMI Logo are trademarks or registered trademarks of HDMI Licensing LLC in the United States and other countries.

Where creation of derivative works, modifications or copies of this NCR copyrighted documentation is permitted under the terms and conditions of an agreement you have with NCR, NCR's copyright notice must be included.

It is the policy of NCR Corporation (NCR) to improve products as new technology, components, software, and firmware become available. NCR, therefore, reserves the right to change specifications without prior notice.

All features, functions, and operations described herein may not be marketed by NCR in all parts of the world. In some instances, photographs are of equipment prototypes. Therefore, before using this document, consult with your NCR representative or NCR office for information that is applicable and current.

Copyright © 2024
By NCR Voyix Corporation
Global Headquarters
864 Spring St. NW
Atlanta, GA 30308
United States
All Rights Reserved

Confidential and proprietary information of NCR Voyix Corporation.
Unauthorized use, reproduction and/or distribution is strictly prohibited.

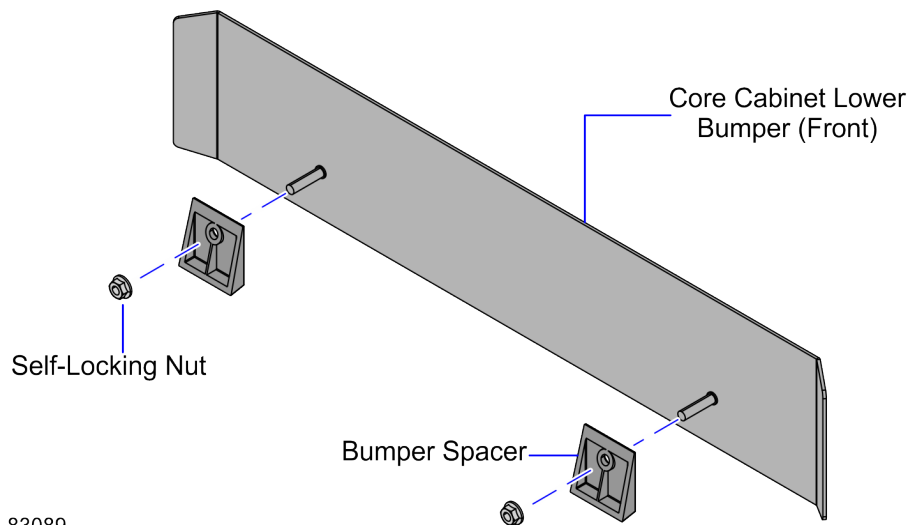
Revision Record

Issue	Date	Remarks
A	Feb 2024	First issue.

Core Cabinet Lower Bumper (Front Only)

This publication provides procedures or installing the 7371-K140 Core Cabinet Lower Bumper (Front Only) to the NCR Self-Checkout Hardware (7371).

Kit Contents



CCP-83089

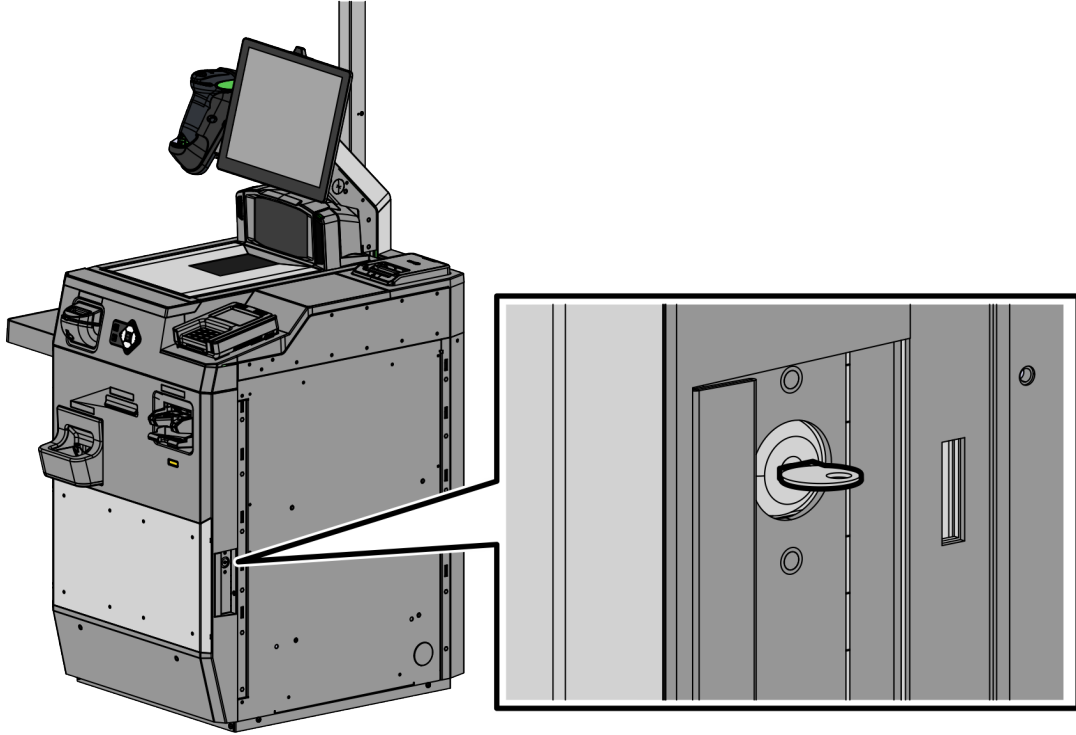
Part Number	Description
497-0534278	7371-K140 Core Cabinet Lower Bumper (Front Only)
497-0534277	Bumper, Core, Lower, Front
497-0534270	Bumper , Spacer (2 pcs)
006-8628707	Serrated Nut - Self Locking (M6, 6 (2 pcs)
497-0534576	Roll End Folder, 528 X 105 X 33 Mm Id
497-0423108	Instructions Kit (Reference Sheet)

* Items marked with an asterisk are not called out on the image.

Installation Procedure

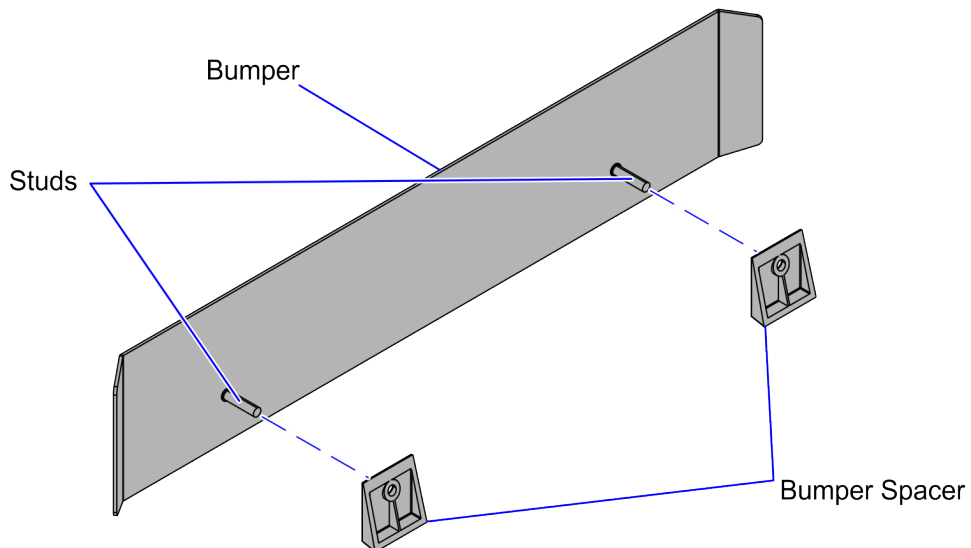
To install the 7371-K140 Core Cabinet Lower Bumper (Front Only), follow these steps:

1. Unlock and open the Cosmetic Door using a key.



CCP-83094

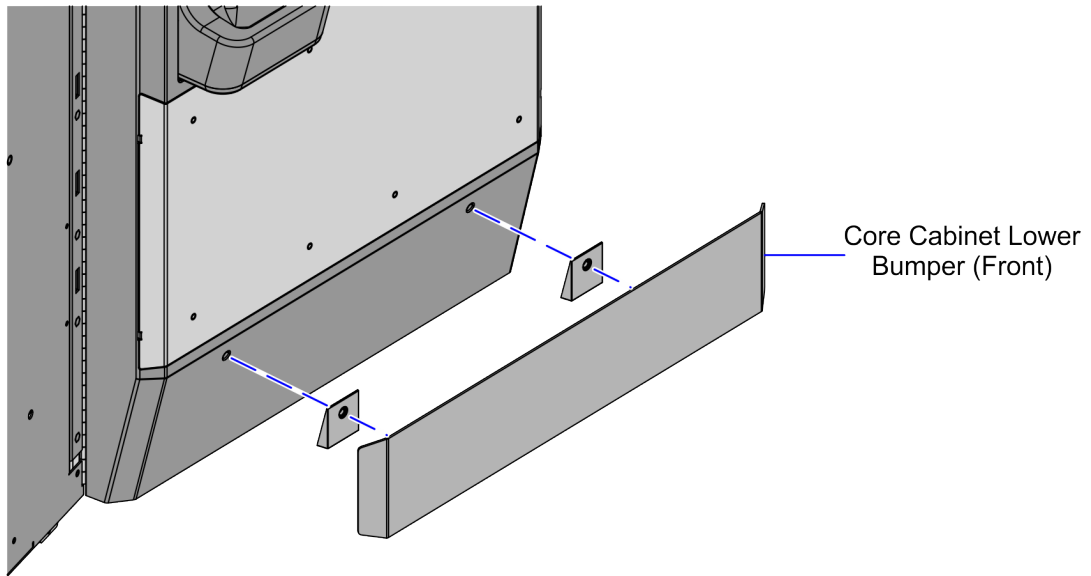
2. Attach the Bumper Spacers to each Bumper stud.



CCP-83093

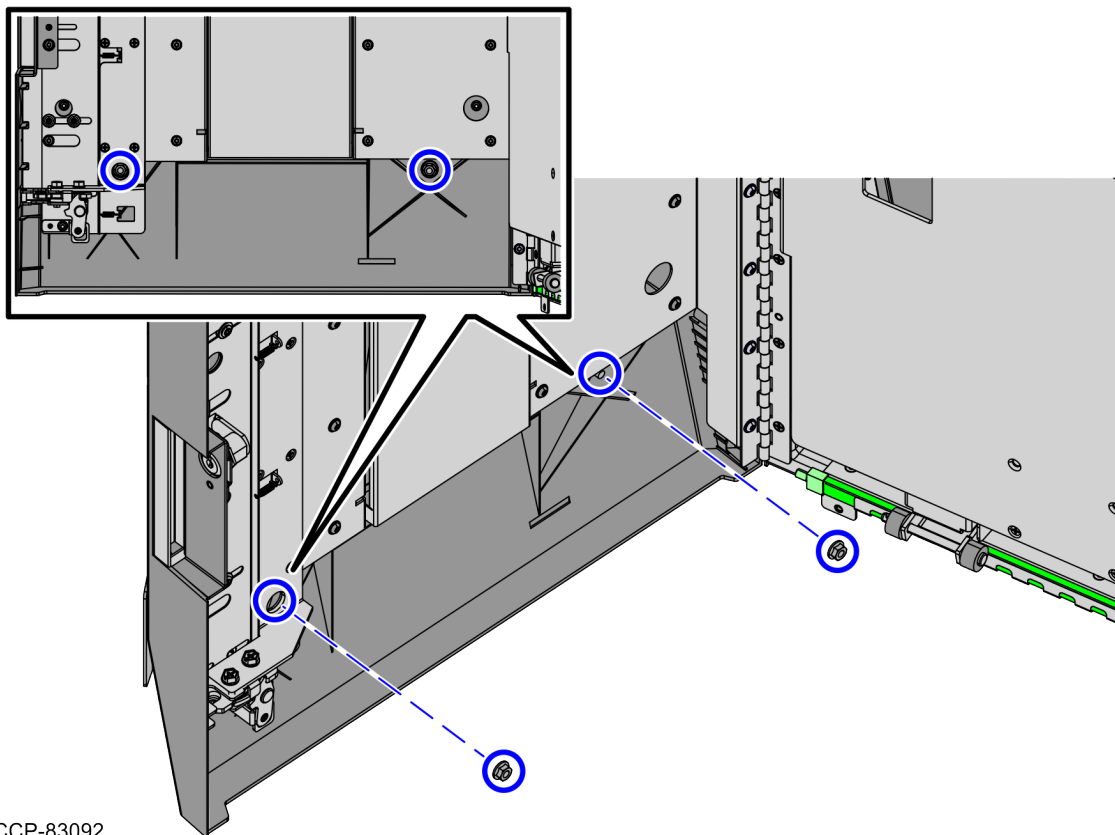
Confidential and proprietary information of NCR Voyix Corporation.
Unauthorized use, reproduction and/or distribution is strictly prohibited.

3. Insert the Bumper Studs with Spacers into the corresponding holes on the Cosmetic Door, as shown in the image below.



CCP-83091

4. Secure the Bumper assembly to the Cosmetic Door using two (2) nuts, as shown in the image below.



CCP-83092

Confidential and proprietary information of NCR Voyix Corporation.
Unauthorized use, reproduction and/or distribution is strictly prohibited.