



# Kit Instructions

## XL15 (Secondary Display) Mount

---



7371-K110

Issue A

# Copyright and Trademark Information

---

The product described in this document is a licensed product of NCR Voyix Corporation.

NCR Voyix SCO Hardware is a trademark of NCR Voyix Corporation in the United States and/or other countries. Other product names mentioned in this publication may be trademarks or registered trademarks of their respective companies and are hereby acknowledged.

Where creation of derivative works, modifications or copies of this NCR copyrighted documentation is permitted under the terms and conditions of an agreement you have with NCR, NCR's copyright notice must be included.

Disclaimer:

It is the policy of NCR Voyix Corporation to improve products as technology, components, software and firmware become available. NCR Voyix therefore reserves the right to change specifications without prior notice.

All features, functions and operations described herein may not be marketed by NCR Voyix in all parts of the world. In some instances, photographs are of equipment prototypes.

Therefore, before using this document, consult with your NCR Voyix representative or NCR Voyix office for information that is applicable and current.

© 2024

By NCR Voyix Corporation

Atlanta, Georgia, USA

All Rights Reserved

# Revision Record

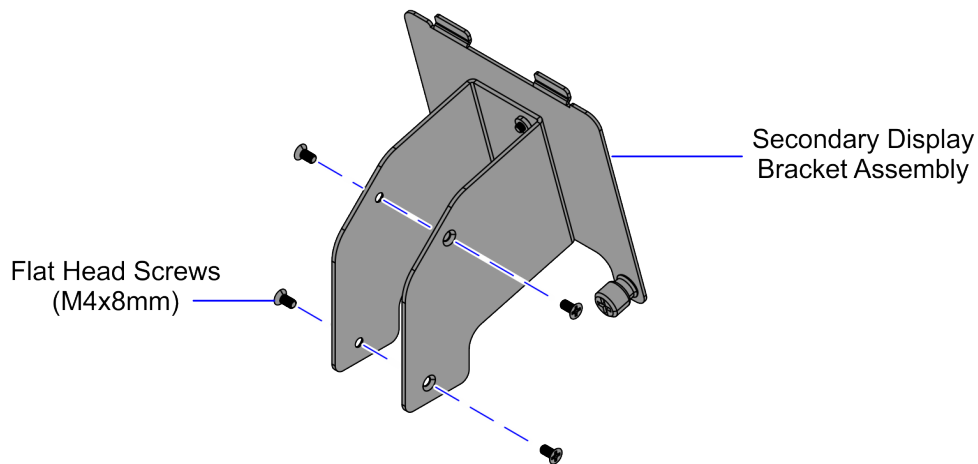
---

Issue	Date	Remarks
A	Jun 2024	First issue.

# XL15 (Secondary Display) Mount

This publication provides procedures on installing the 7371-K110 XL15 (Secondary Display) Mount to the NCR Voyix SCO Hardware (7371).

## Kit Contents



CCP-83088

Part Number	Description
497-0536629	7371-K110 XL15 (2nd Display) Mount
497-0536628	Secondary Display Bracket Assembly
006-8624498	Screw - M4X.7X8Mm, Flat Head, Stainless (4 pcs)
* 497-0423108	Instructions Kit (Reference Sheet)

\* Items marked with an asterisk are not called out on the image.

# Installation Procedure

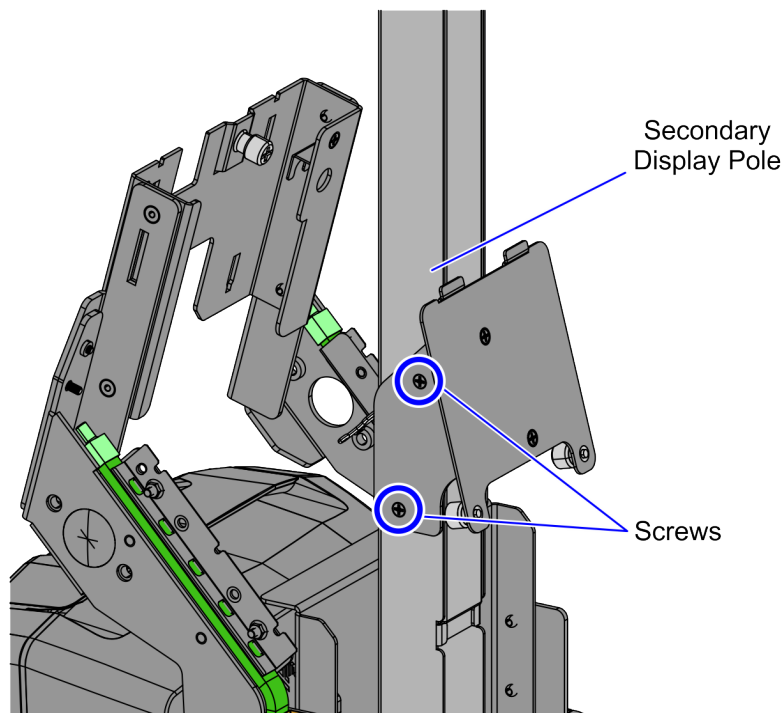
---

To install the 7371-K110 XL15 (Secondary Display) Mount, follow these steps:

1. Remove the primary Terminal Display. For more information, refer to "[Removing the primary Terminal Display](#)" on page 11.
2. Remove the Rear Cosmetic Cover. For more information, refer to "[Removing the Rear Cosmetic Cover](#)" on page 12.
3. Attach the Bracket Assembly to the Secondary Display Pole and secure using two (2) M4 screws on each side, as shown in the image below.

## Note

The Secondary Display can also be attached to the Tri-Light/Lane Light Pole, which has the same mounting holes with the Secondary Display Pole.

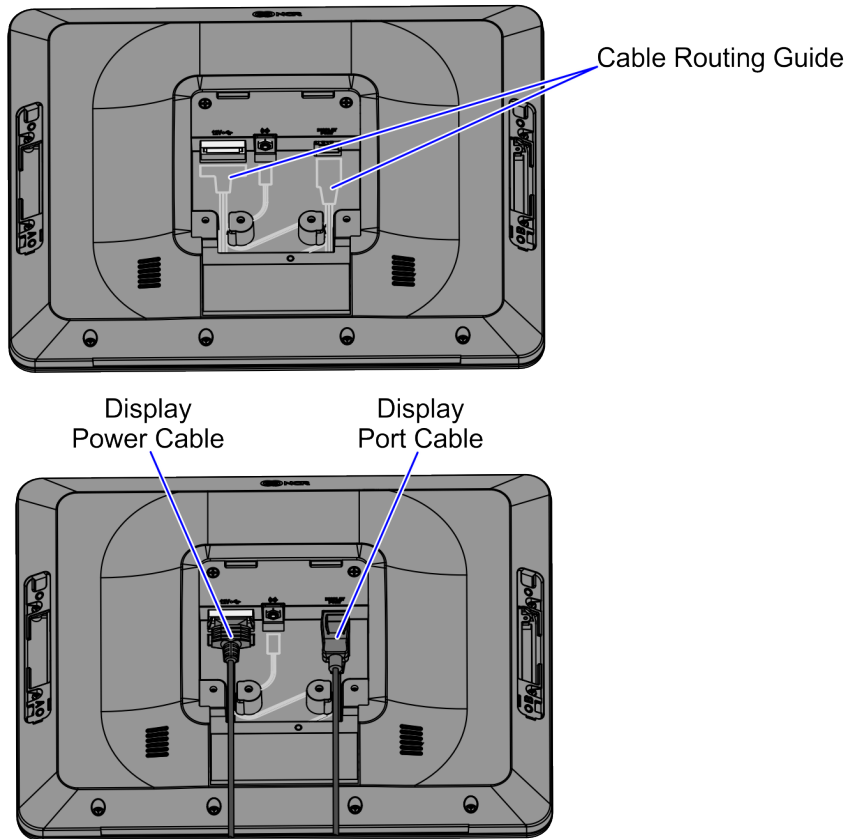


CCP-84494

4. Connect the Display cables and route them according to the imprinted routing guide, as shown in the image below.
  - a. Connect the Display Power Cable and route straight down.
  - b. Connect the Display Port Cable and route straight down.

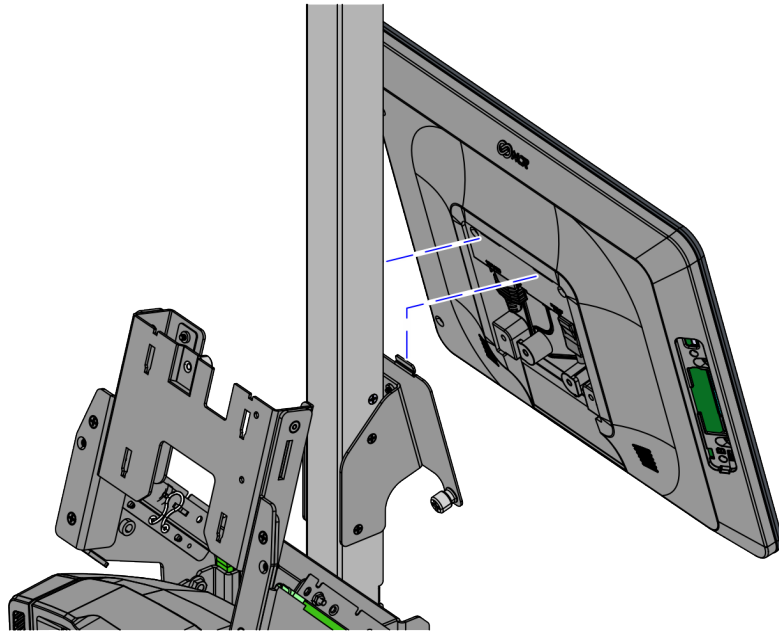
**Note**

The Audio Cable is not installed in the unit.



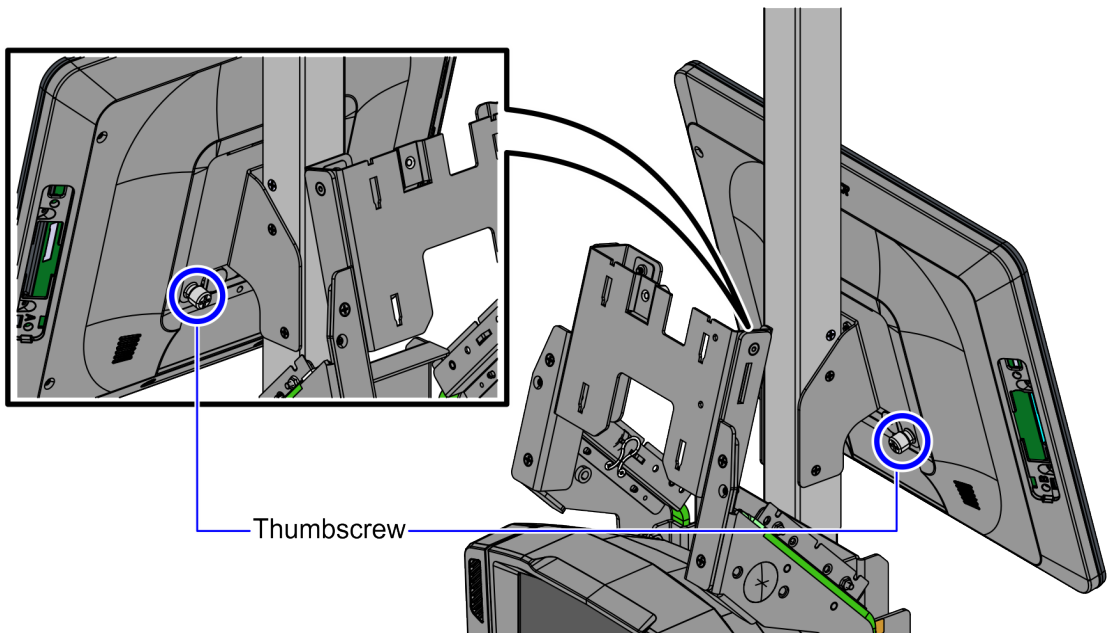
CCP-84495

5. Slide the XL15 (5915) Display down the Bracket tabs.



CCP-84496

6. Secure the XL15 (5915) Display using the thumbscrews on each side.



CCP-84497

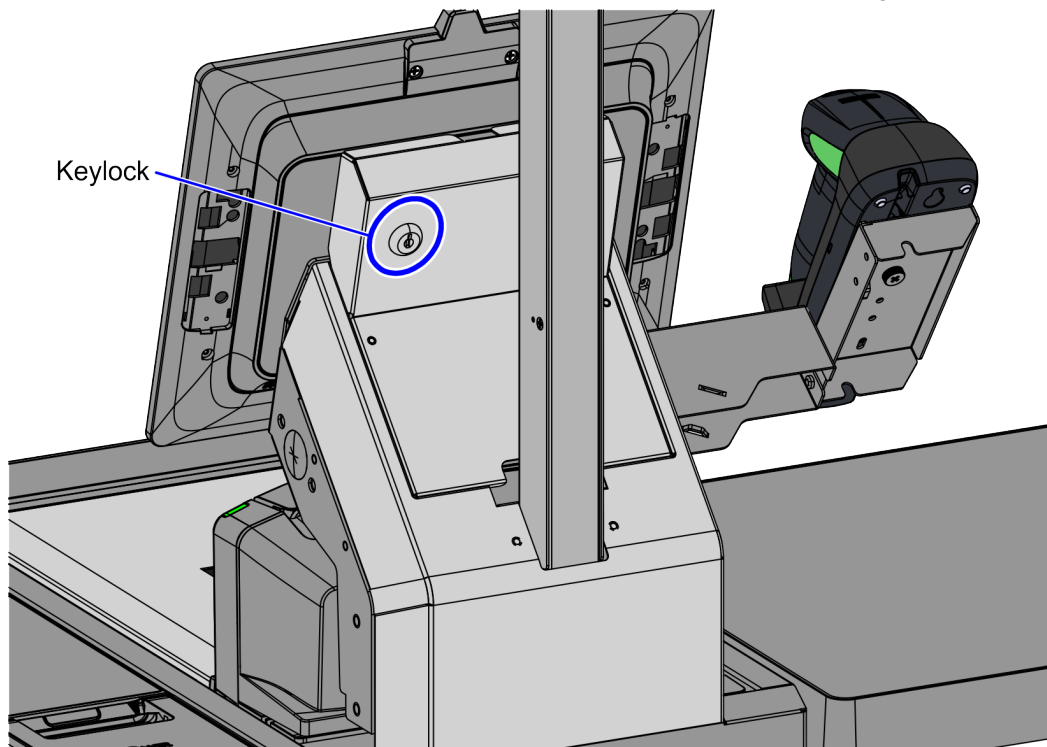
7. Install the Rear Cosmetic Cover. For more information, refer to "[Installing the Rear Cosmetic Cover](#)" on page 14.
8. Install the primary Terminal Display. For more information, refer to "[Installing the Primary Terminal Display](#)" on page 16.
9. Close the Tower Cabinet. For more information, refer to "[Closing the Tower Cabinet](#)" on page 17.



# Opening the Tower Cabinet

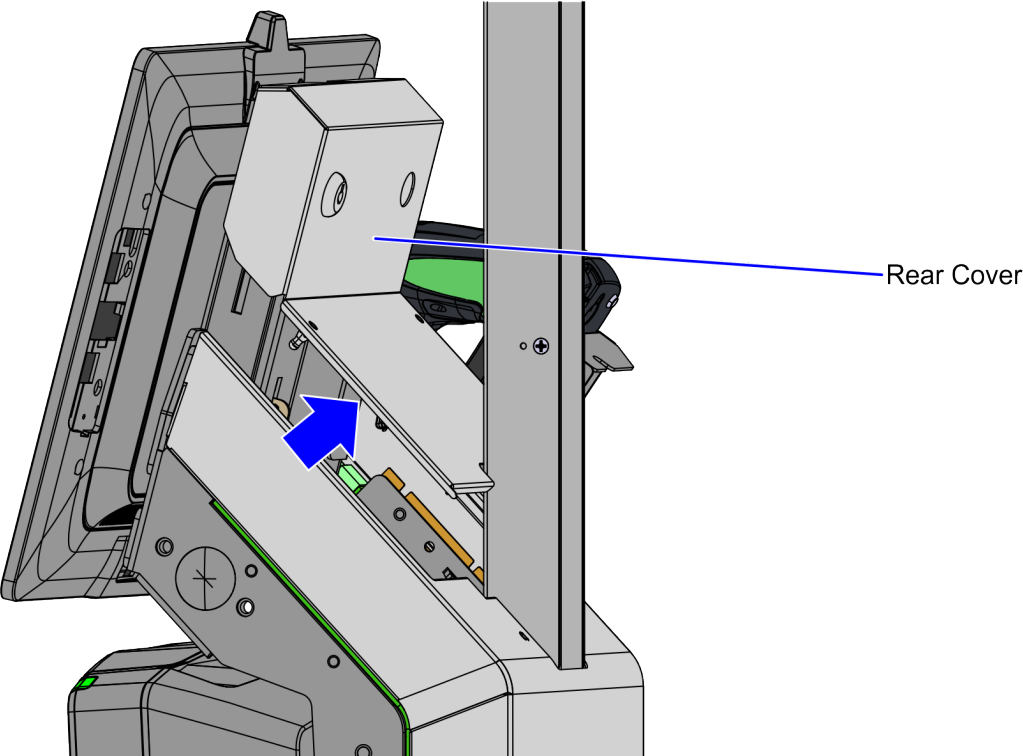
To open the Tower Cabinet, follow these steps;

1. Unlock the Rear Cover of the Tower Cabinet, as shown in the image below.



CCP-83498

2. Remove the Rear Cover from the Tower Cabinet.

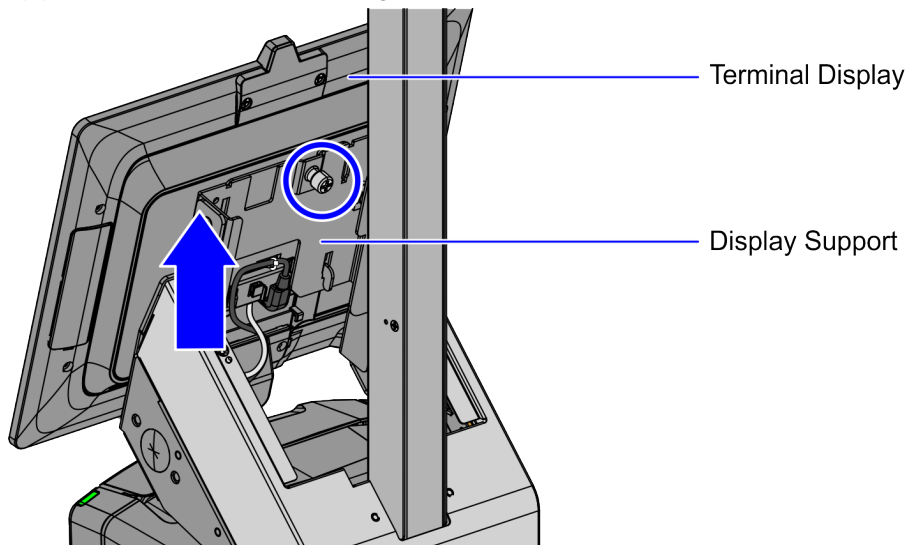


CCP-84109

# Removing the primary Terminal Display

To remove the primary Terminal Display, follow these steps:

1. Turn off the Common Product Name software and hardware systems.
2. Open the Tower Cabinet. For more information, refer to "[Opening the Tower Cabinet](#)" on page 9.
3. Loosen the thumb screw and slide the Terminal Display up to remove it from the Display Support, as shown in the image below.



CCP-83859

4. Disconnect the cables from the Terminal Display.

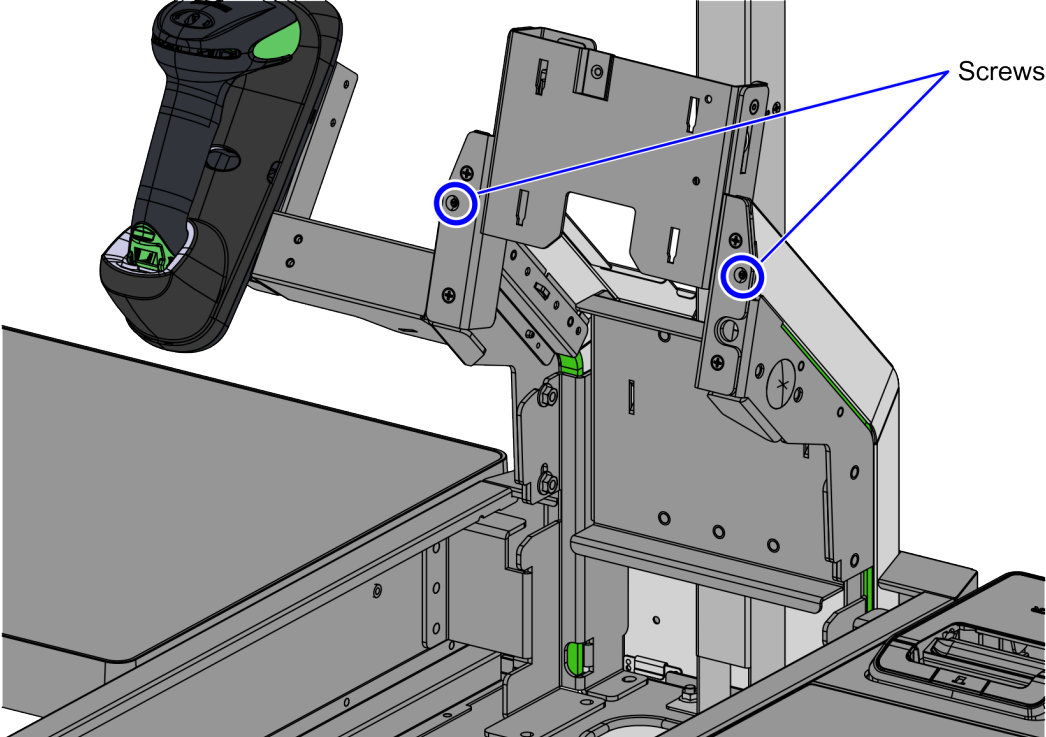
## Tip

Mark all cables as to where they are connected to quickly determine the corresponding port when reconnecting the cables.

# Removing the Rear Cosmetic Cover

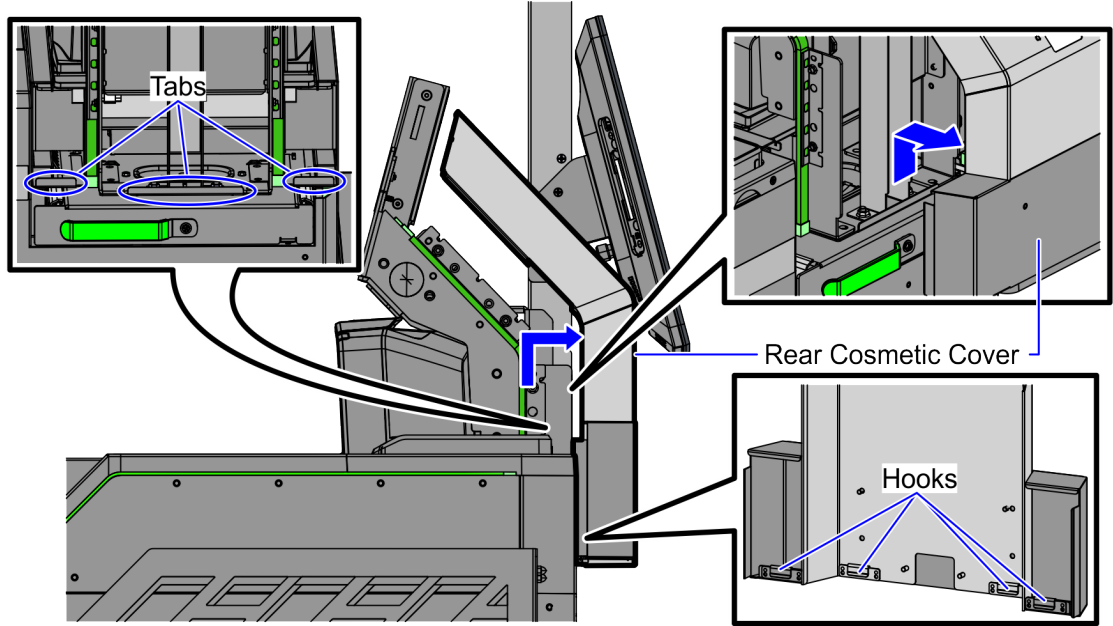
To remove the Rear Cosmetic Cover, follow these steps:

1. Remove two (2) screws to detach the Lower Rear Cosmetic Cover from the Tower Frame.



CCP-83470

2. Detach the Lower Rear Cosmetic Cover from the Scanner/Scale Bucket by disengaging four (4) hooks from the Scanner Bucket tabs.



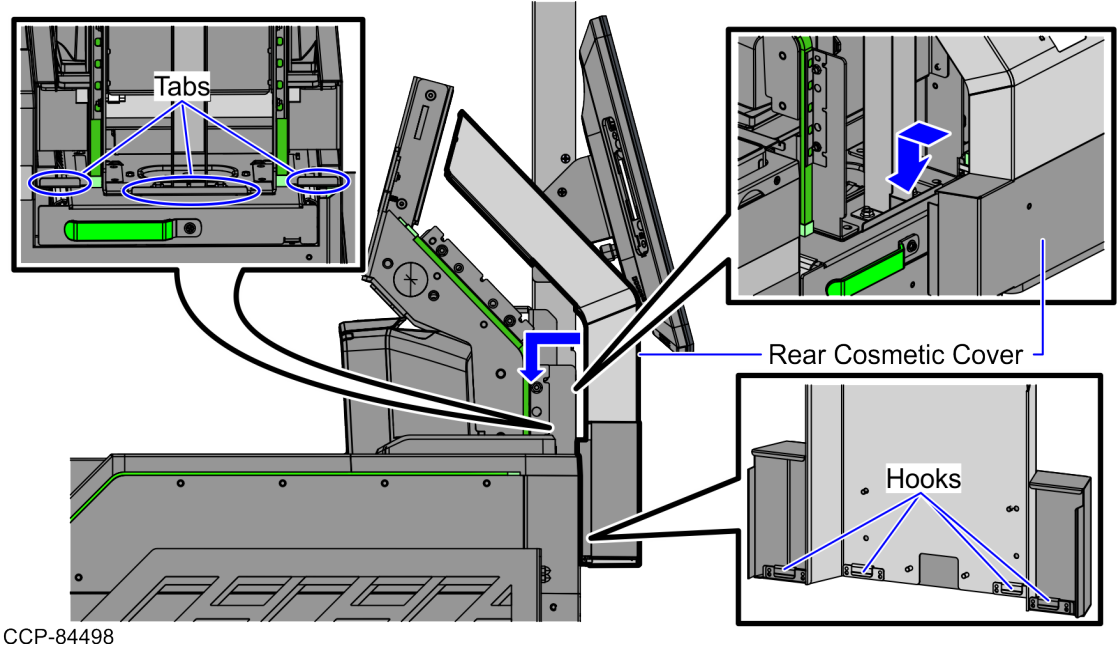
CCP-84504

# Installing the Rear Cosmetic Cover

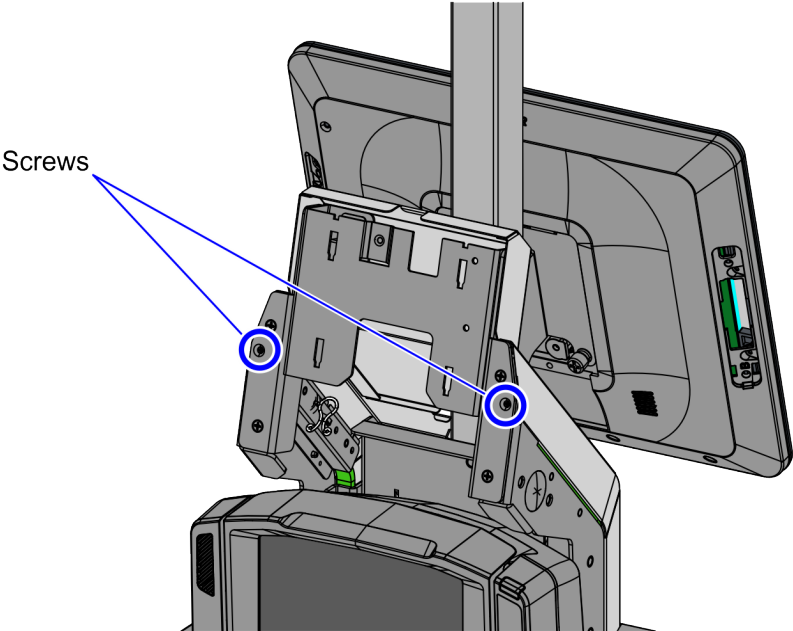
To install the Rear Cosmetic Cover, follow these steps:

1. Attach the Lower Rear Cosmetic Cover to the Scanner/Scale Bucket.

**Note**  
Ensure that all four (4) hooks are engaged to the tabs.



2. Secure the the Lower Rear Cosmetic Cover to the Tower Frame with two (2) screws.

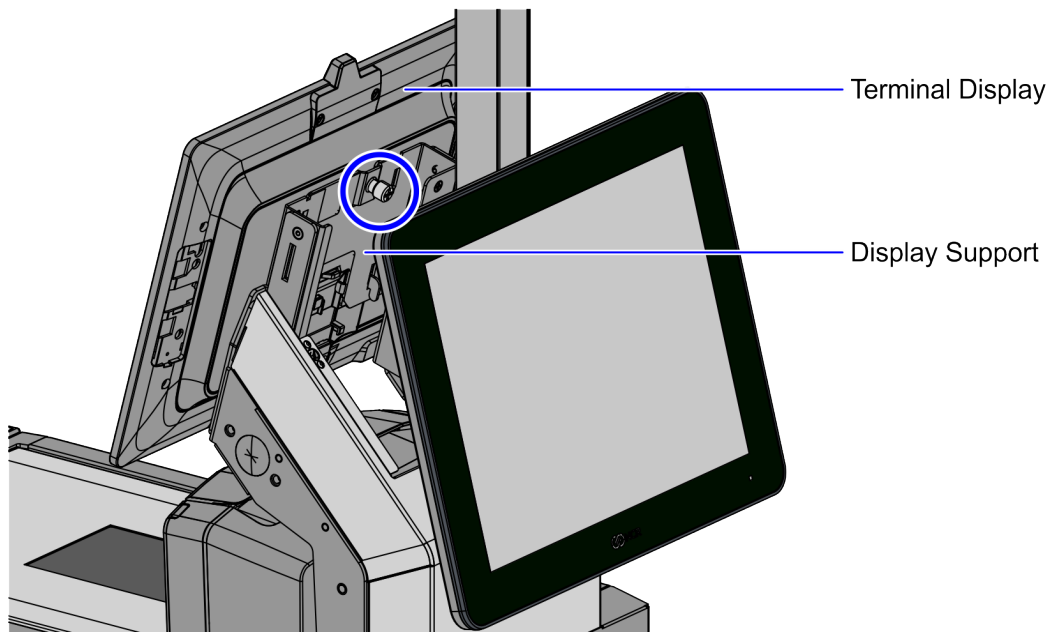


CCP-84505

# Installing the Primary Terminal Display

To install the primary Terminal Display, follow these steps:

1. Connect the cables to the primary Terminal Display.
2. Slide the primary Terminal Display down the Display Support and then secure using a thumb screw, as shown in the image below.



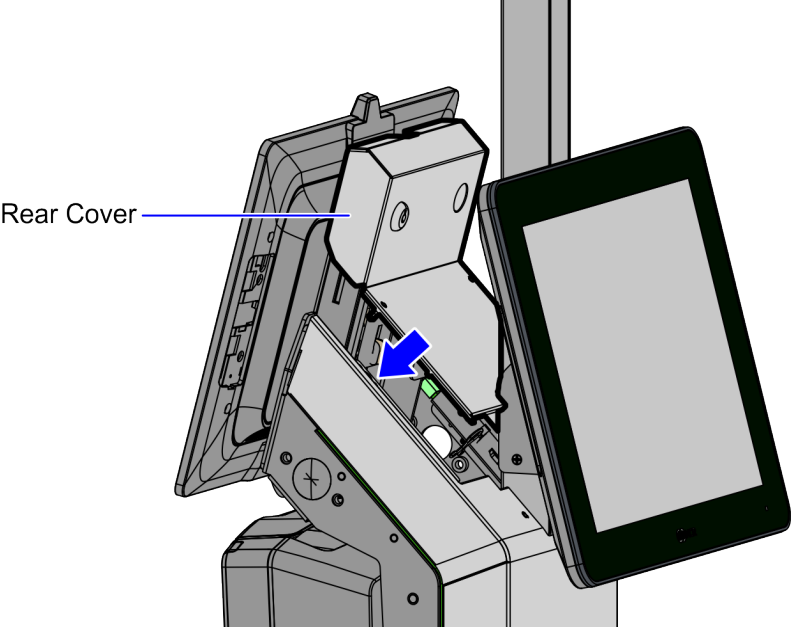
CCP-84503



# Closing the Tower Cabinet

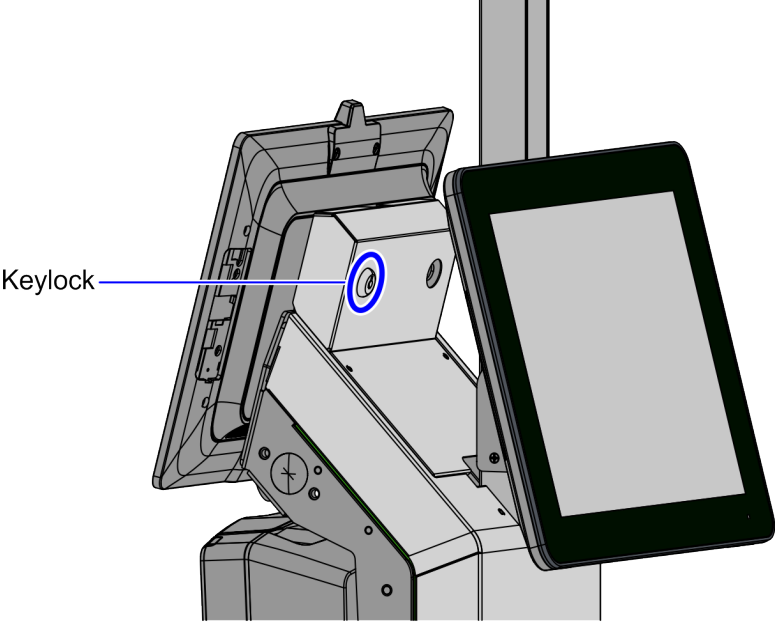
To close the Tower Cabinet, follow these steps:

- 1. Place the Rear Cover on the back of the Tower Cabinet.



CCP-84500

- 2. Lock the Rear Cover to the Tower Cabinet using a key.



CCP-84501