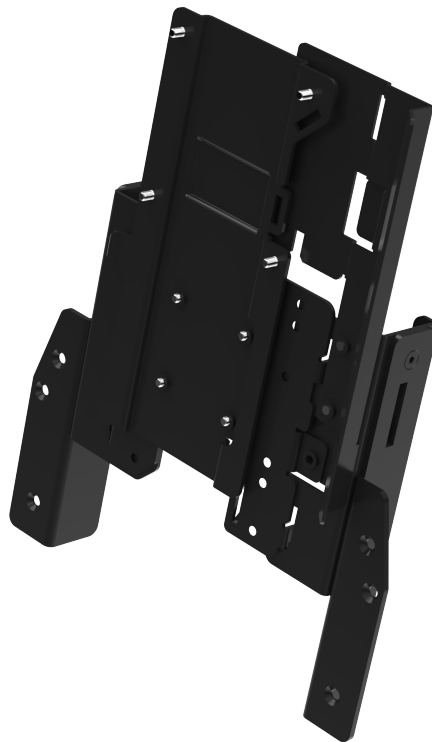




# Kit Instructions

## 21.5" Display Bracket Full Function and Card Only

---



7371-K090

Issue A

# Copyright and Trademark Information

---

The product described in this document is a licensed product of NCR Voyix Corporation.

NCR Voyix SCO Hardware is a trademark of NCR Voyix Corporation in the United States and/or other countries. Other product names mentioned in this publication may be trademarks or registered trademarks of their respective companies and are hereby acknowledged.

Where creation of derivative works, modifications or copies of this NCR Voyix copyrighted documentation is permitted under the terms and conditions of an agreement you have with NCR Voyix, NCR Voyix's copyright notice must be included.

Disclaimer:

It is the policy of NCR Voyix Corporation to improve products as technology, components, software and firmware become available. NCR Voyix therefore reserves the right to change specifications without prior notice.

All features, functions and operations described herein may not be marketed by NCR Voyix in all parts of the world. In some instances, photographs are of equipment prototypes.

Therefore, before using this document, consult with your NCR Voyix representative or NCR Voyix office for information that is applicable and current.

© 2024

By NCR Voyix Corporation

Atlanta, Georgia, USA

All Rights Reserved

# Table of Contents

---

<b>2.5" Display Bracket Full Function and Card Only</b> .....	<b>5</b>
Kit Contents .....	5
Required Tools .....	6
Installation Procedure .....	7
Opening the Tower Cabinet .....	9
Removing the primary Terminal Display .....	11
Removing the Rear Cosmetic Cover .....	12
Installing the Rear Cosmetic Cover .....	14
Installing the Display Brackets for Landscape Orientation (Fixed) .....	16
Installing the Common Display Bracket for Landscape Orientation (Hybrid/Card Only) .....	18
Installing the Display Brackets for Portrait Orientation .....	19
Installing the 21.5" Terminal Display (Landscape - Fixed) .....	22
Installing the 21.5" Terminal Display (Landscape - Hybrid/Card Only) .....	26
Installing the 21.5" Terminal Display (Portrait) .....	31
Closing the Tower Cabinet .....	35

# Revision Record

---

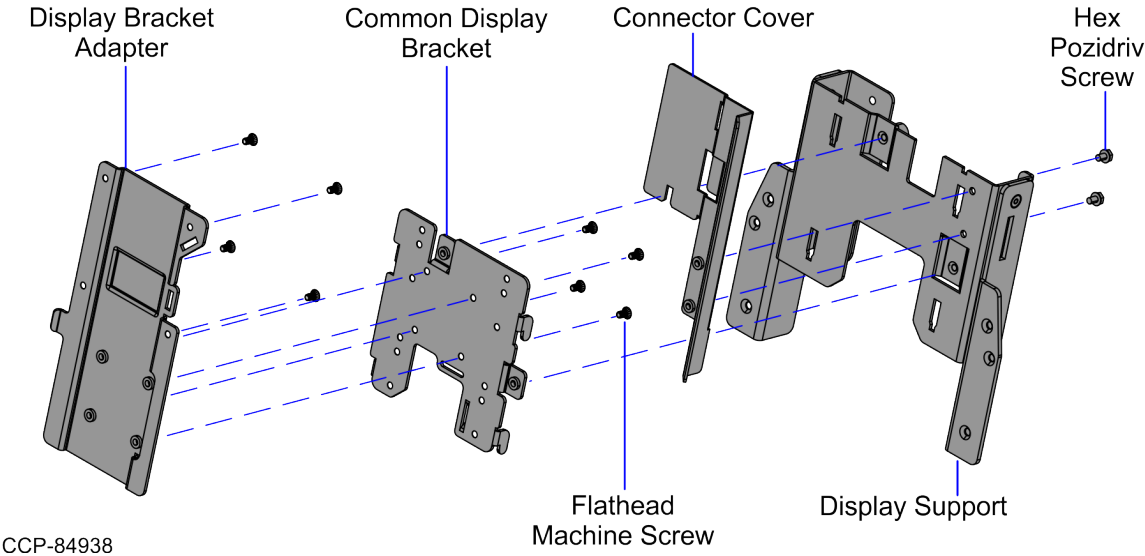
Publication issue	Date	Description of change
A	Oct 2024	First issue.

# 2.5" Display Bracket Full Function and Card Only

This publication provides procedures for installing the 7371-K090 Display Bracket Full Function and Card Only to the following NCR Voyix SCO Hardware units:

- 7371 NCR Voyix SCO Full Function Fixed
- 7371 NCR Voyix SCO Full Function Hybrid
- 7372 NCR Voyix SCO Card Only

## Kit Contents



Part Number	Description
497-0537510	7371-K090 21.5" Display Bracket Full Function and Card Only
006-8622885	Screw, M4-0.7 X 8Mm Flt Hd, Machine, Knurled Head, Steel, Black Oxide (8 Pcs)
006-8628731	Screw - Hex, Pozdrive, M4, 6.0 (2 Pcs)
497-0536906	Common Display Bracket

Confidential and proprietary information of NCR Voyix.  
 Use and disclose solely pursuant to company instructions.

Part Number	Description
497-0536907	Display Bracket Adapter
497-0536908	Connector Cover
497-0537259	Display Support, Standard Landscape

\* Items marked with an asterisk are not called out on the image.

## Required Tools

- Phillip screw driver
- Allen key no. 3
- Hex Socket size 7mm

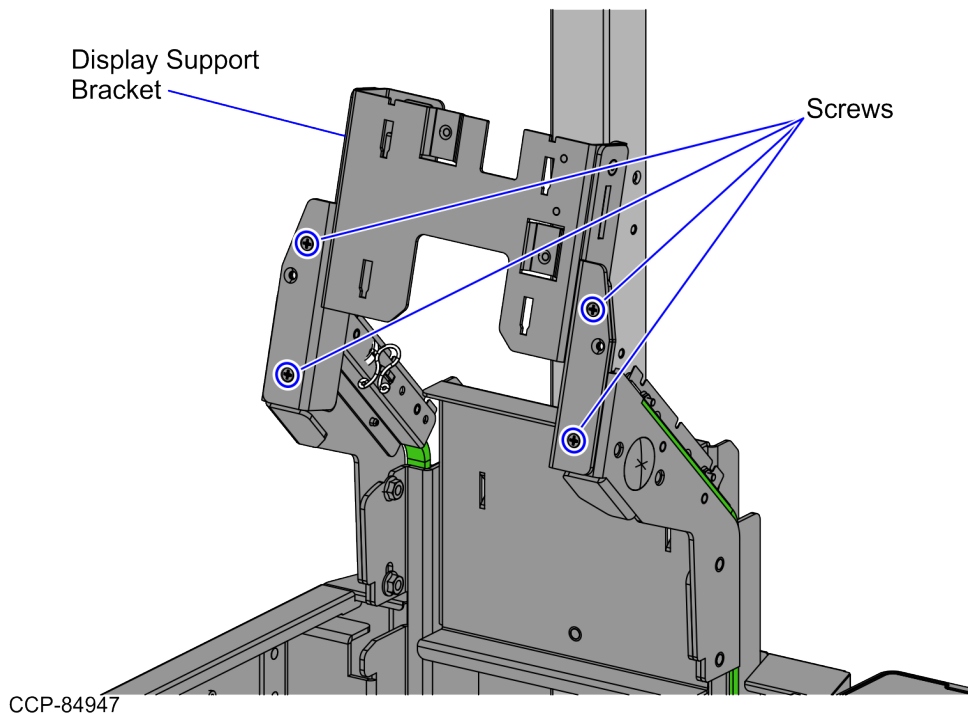
# Installation Procedure

The 7371-K090 21.5" Display Bracket Full Function and Card Only allows the installation of the Terminal Display in landscape orientation or portrait orientation. To install the 21.5" Display Bracket, follow these steps:

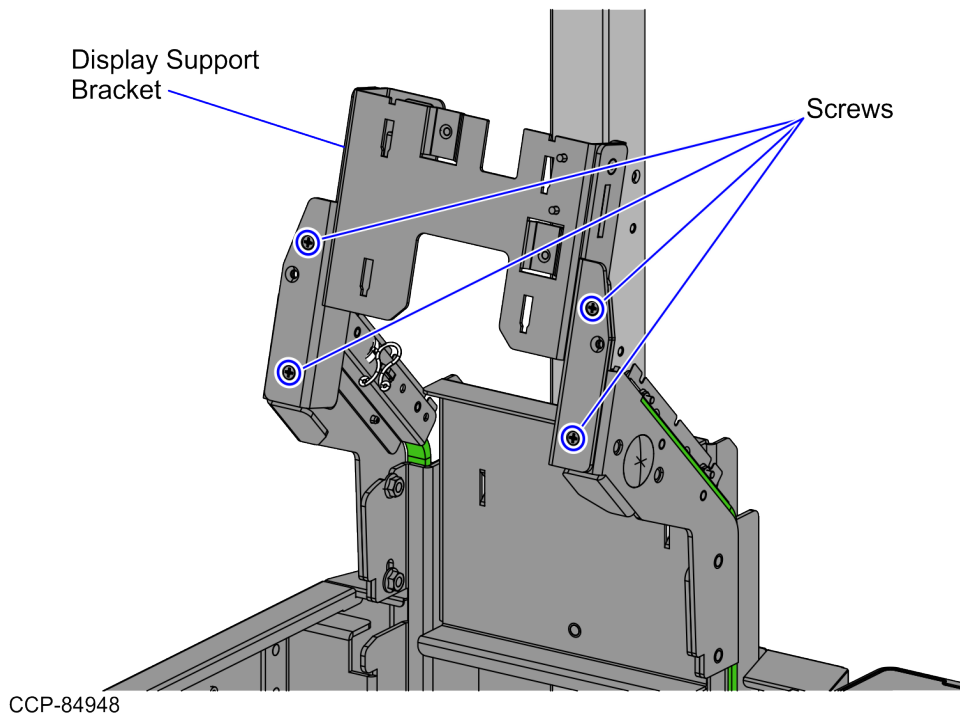
1. Remove the existing Terminal Display. For more information, refer to "[Removing the primary Terminal Display](#)" on page 11.
2. Remove the Rear Cosmetic Cover. For more information, refer to "[Removing the Rear Cosmetic Cover](#)" on page 12.
3. Remove four (4) screws to detach the existing Display Support Bracket from the Tower Frame, as shown in the image below.

## Note

Ensure to set aside the removed screws. These will be reused when installing the Display Support Bracket for the 21.5" Terminal Display.



4. Attach the Display Support Bracket for the 21.5" Terminal Display to the Tower Frame using the four (4) screws from the previous Display Support Bracket.



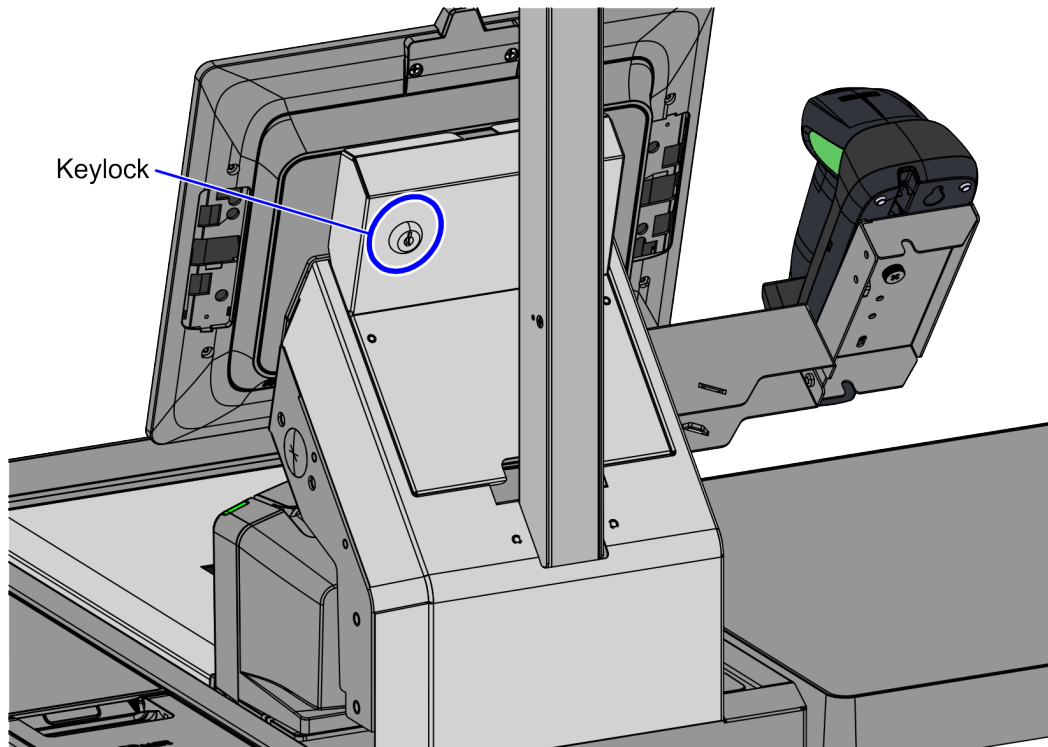
5. Install the Rear Cosmetic Cover. For more information, refer to "[Installing the Rear Cosmetic Cover](#)" on page 14.
6. Install the Display Brackets. Depending on the unit, refer to the following procedures:
  - "[Installing the Display Brackets for Landscape Orientation \(Fixed\)](#)" on page 16
  - "[Installing the Common Display Bracket for Landscape Orientation \(Hybrid/Card Only\)](#)" on page 18
  - "[Installing the Display Brackets for Portrait Orientation](#)" on page 19
7. Install the Terminal Display. Depending on the orientation of the Terminal Display, refer to any of the following procedures:
  - "[Installing the 21.5" Terminal Display \(Landscape - Fixed\)](#)" on page 22
  - "[Installing the 21.5" Terminal Display \(Landscape - Hybrid/Card Only\)](#)" on page 26
  - "[Installing the 21.5" Terminal Display \(Portrait\)](#)" on page 31



# Opening the Tower Cabinet

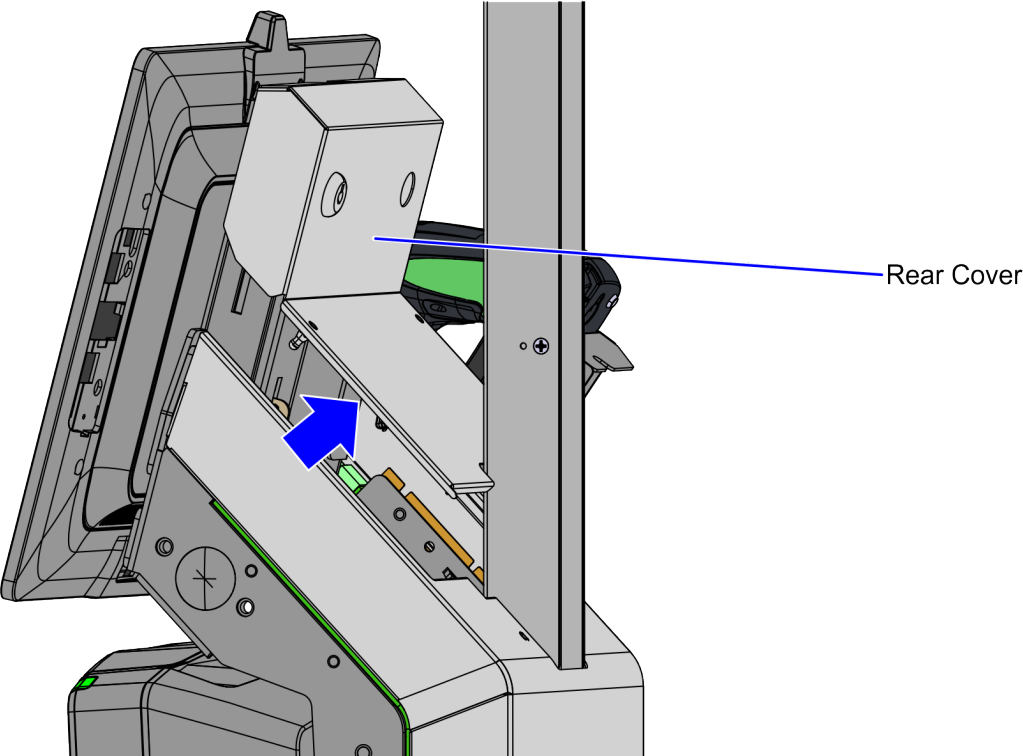
To open the Tower Cabinet, follow these steps;

1. Unlock the Rear Cover of the Tower Cabinet, as shown in the image below.



CCP-83498

2. Remove the Rear Cover from the Tower Cabinet.

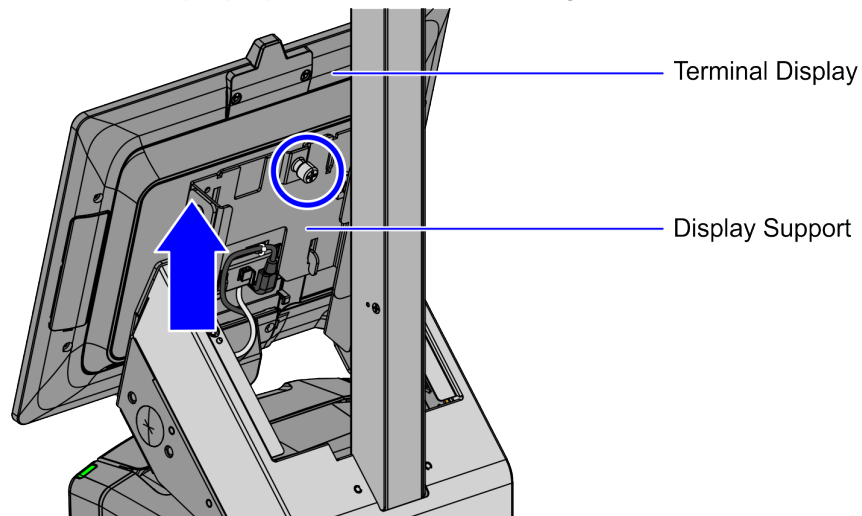


CCP-84109

# Removing the primary Terminal Display

To remove the primary Terminal Display, follow these steps:

1. Turn off the Self-Checkout software and hardware systems.
2. Open the Tower Cabinet. For more information, refer to "[Opening the Tower Cabinet](#)" on page 9.
3. Remove the Terminal Display from the Display Support by doing the following:
  - a. Loosen the thumb screw.
  - b. Slide the Terminal Display up, as shown in the image below.



4. Disconnect the cables from the Terminal Display.

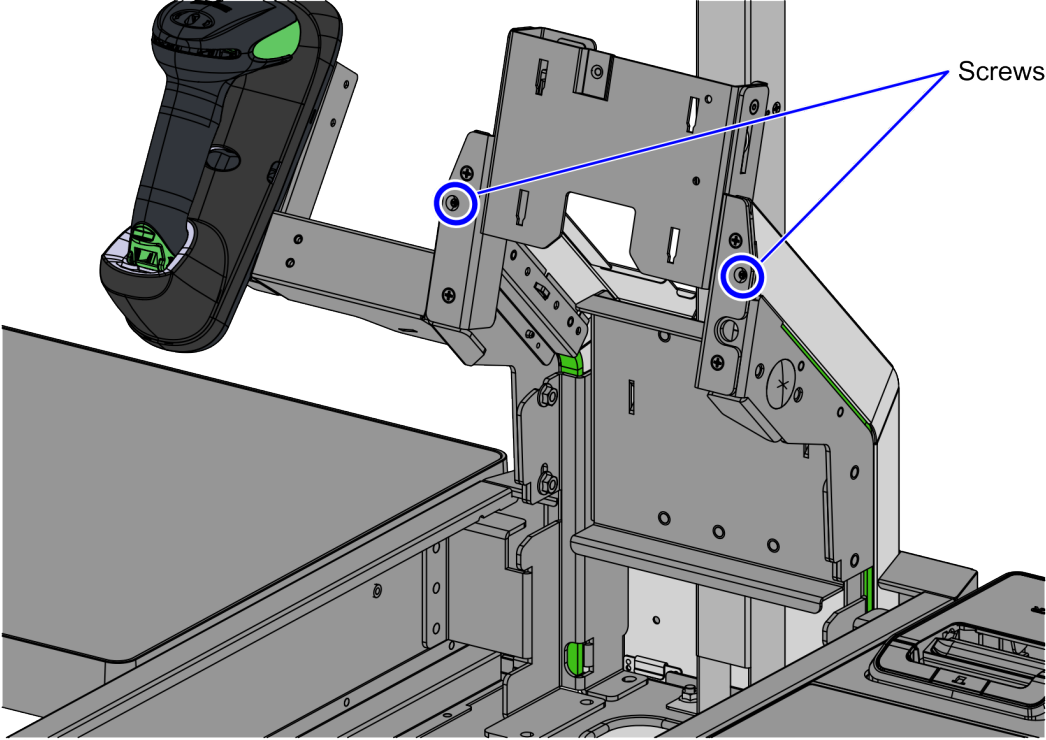
## Tip

Mark all cables as to where they are connected to quickly determine the corresponding port when reconnecting the cables.

# Removing the Rear Cosmetic Cover

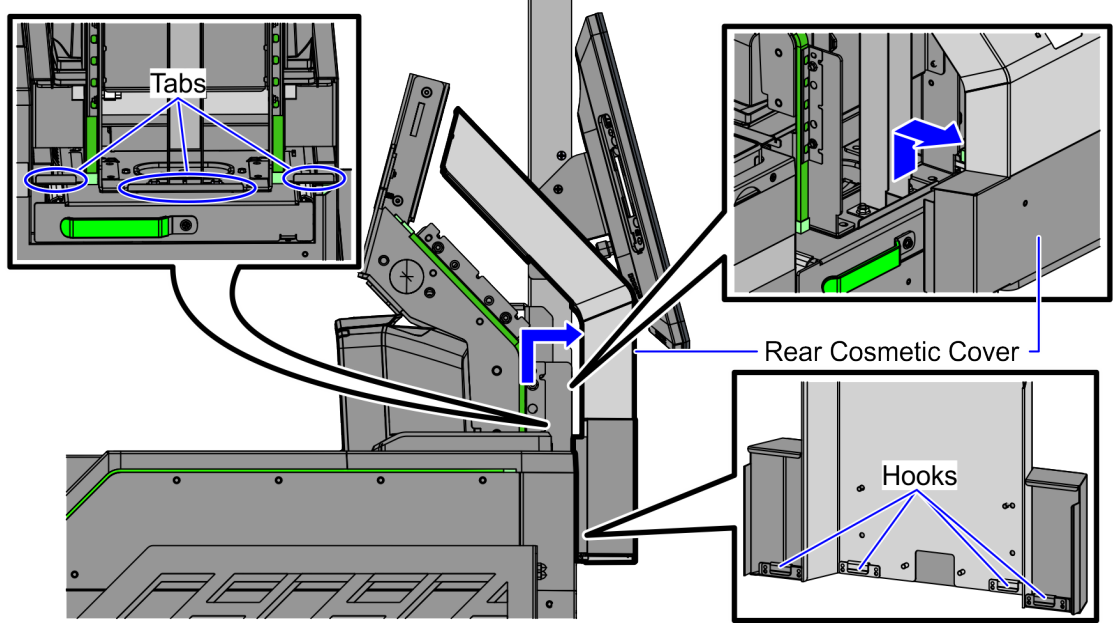
To remove the Rear Cosmetic Cover, follow these steps:

1. Remove two (2) screws to detach the Rear Cosmetic Cover from the Tower Frame.



CCP-83470

2. Detach the Rear Cosmetic Cover from the Scanner/Scale Bucket by disengaging four (4) hooks from the Scanner Bucket tabs.



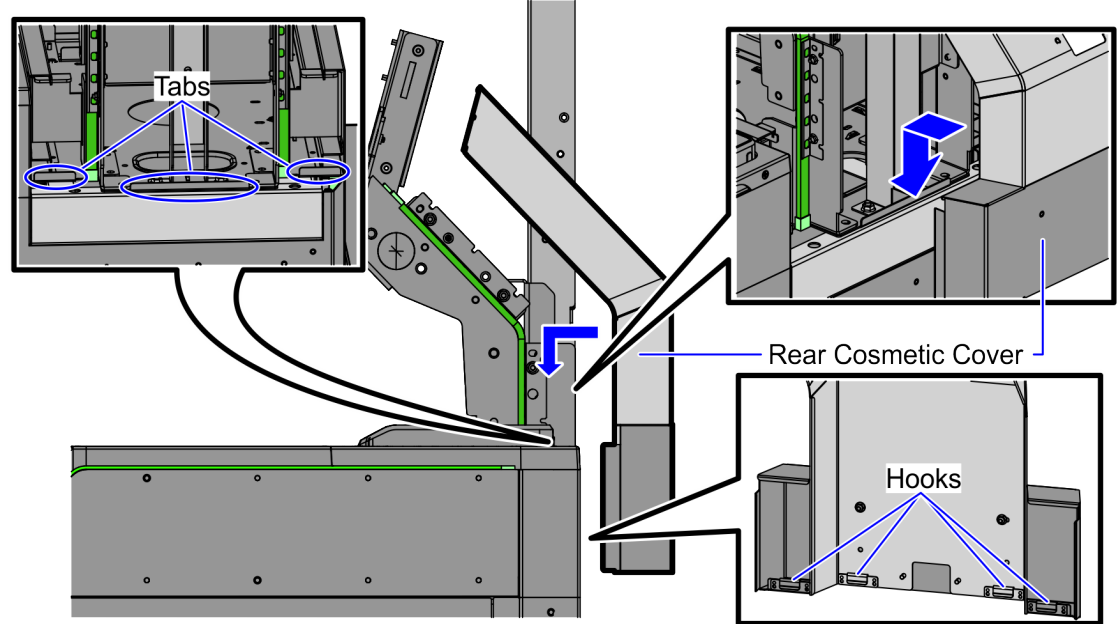
CCP-84504

# Installing the Rear Cosmetic Cover

To install the Rear Cosmetic Cover, follow these steps:

1. Attach the Rear Cosmetic Cover to the Scanner/Scale Bucket.

**Note**  
Ensure that all four (4) hooks are engaged to the tabs.

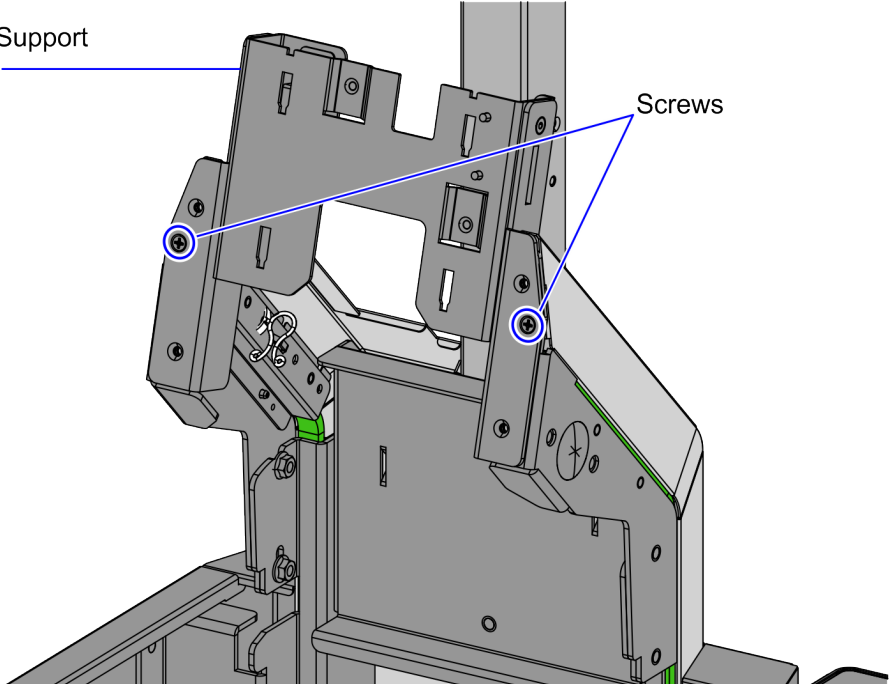


CCP-84949

2. Secure the Rear Cosmetic Cover to the Tower Frame with two (2) screws.

Display Support  
Bracket

Screws

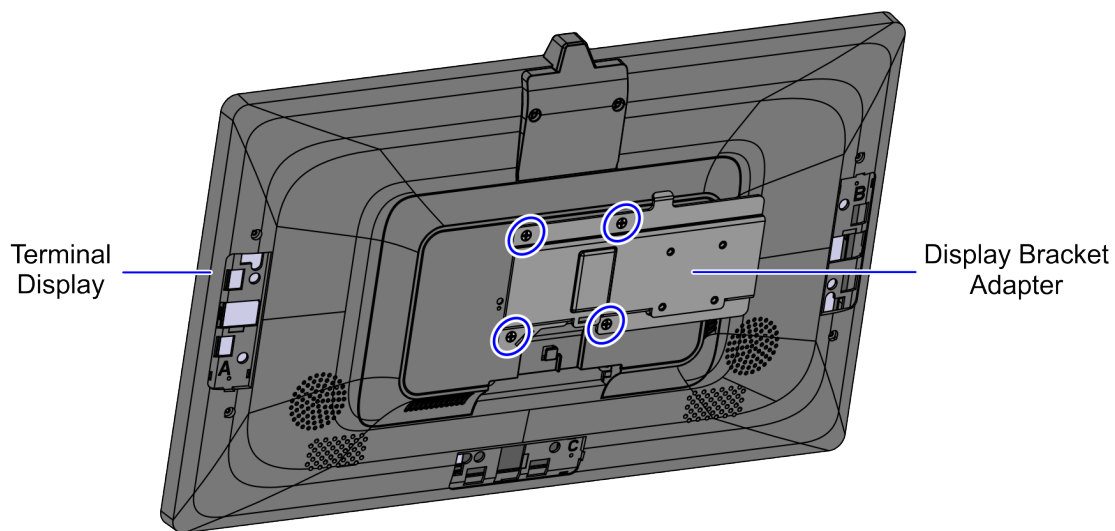


CCP-84950

# Installing the Display Brackets for Landscape Orientation (Fixed)

To install the Terminal Display in landscape orientation on the 7371 NCR Voyix SCO Full Function (Fixed) unit, install the Display brackets using the following steps:

1. At the back of the Terminal Display, attach the Display Bracket Adapter using four (4) screws.

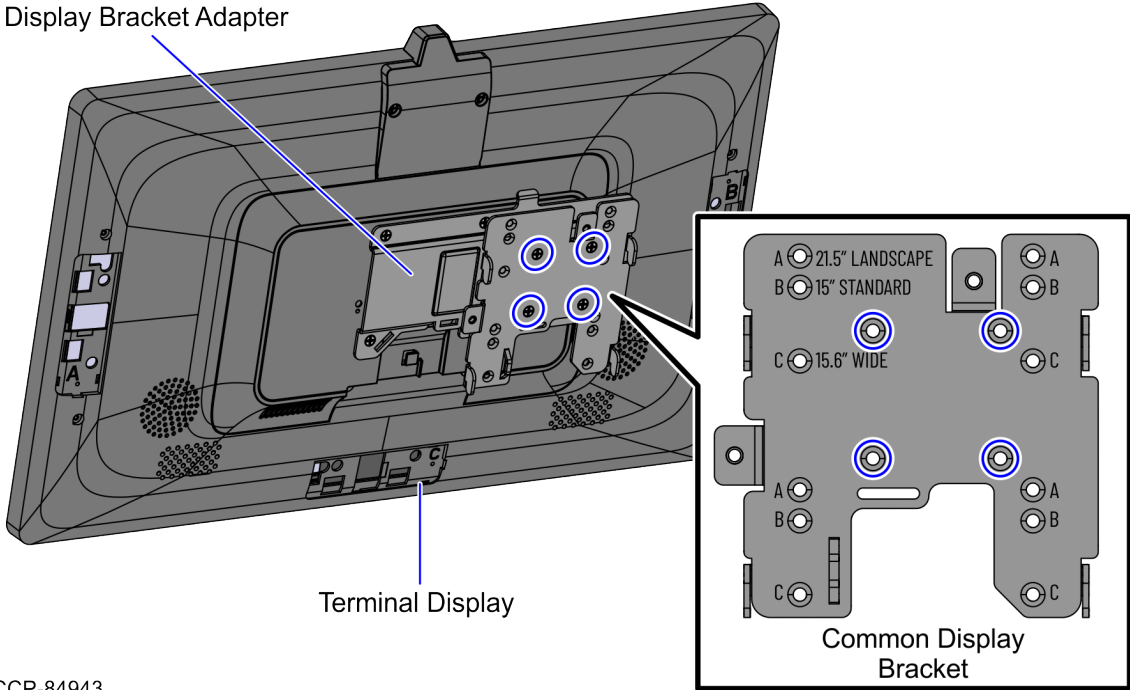


CCP-84942



2. Attach the Common Display Bracket on the Display Bracket Adapter using four (4) screws.

Display Bracket Adapter



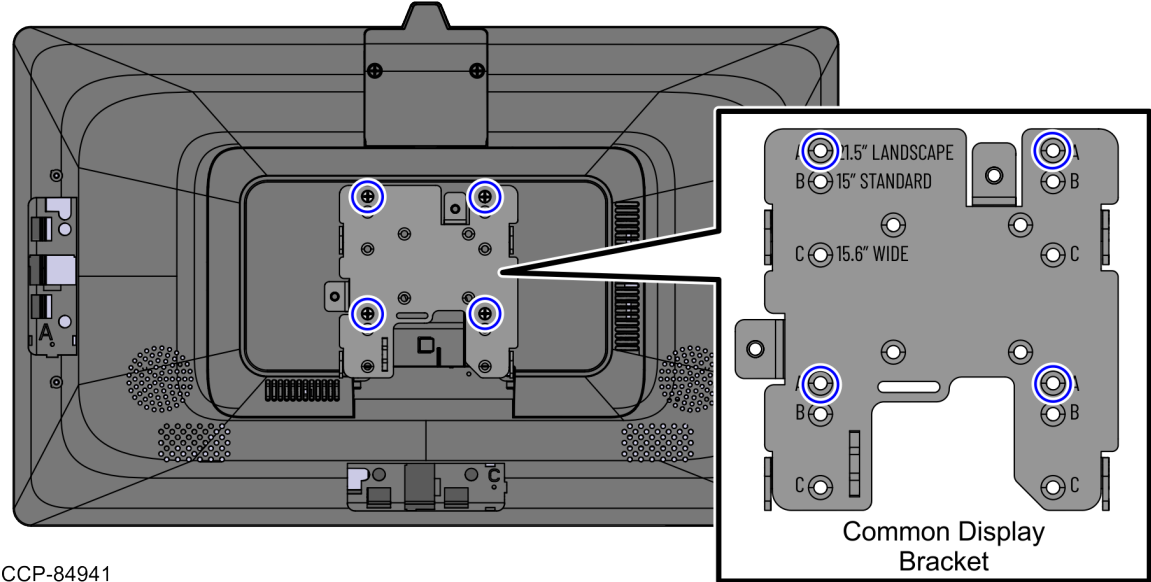
Terminal Display

CCP-84943

# Installing the Common Display Bracket for Landscape Orientation (Hybrid/Card Only)

To install the Terminal Display in landscape orientation on the 7371 NCR Voyix SCO Full Function Hybrid or 7372 NCR Voyix SCO Card Only unit, attach the Common Display Bracket on the back of the Terminal Display using four (4) screws, as shown in the image below.

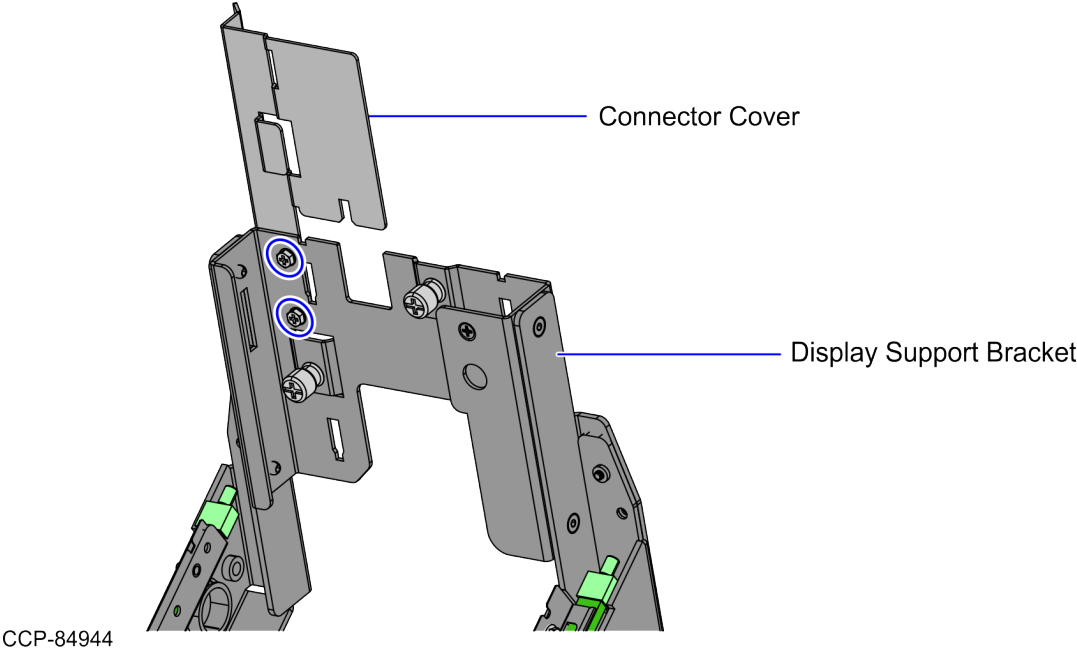
**Note**  
Use the 21.5" holes on the Bracket for this installation.



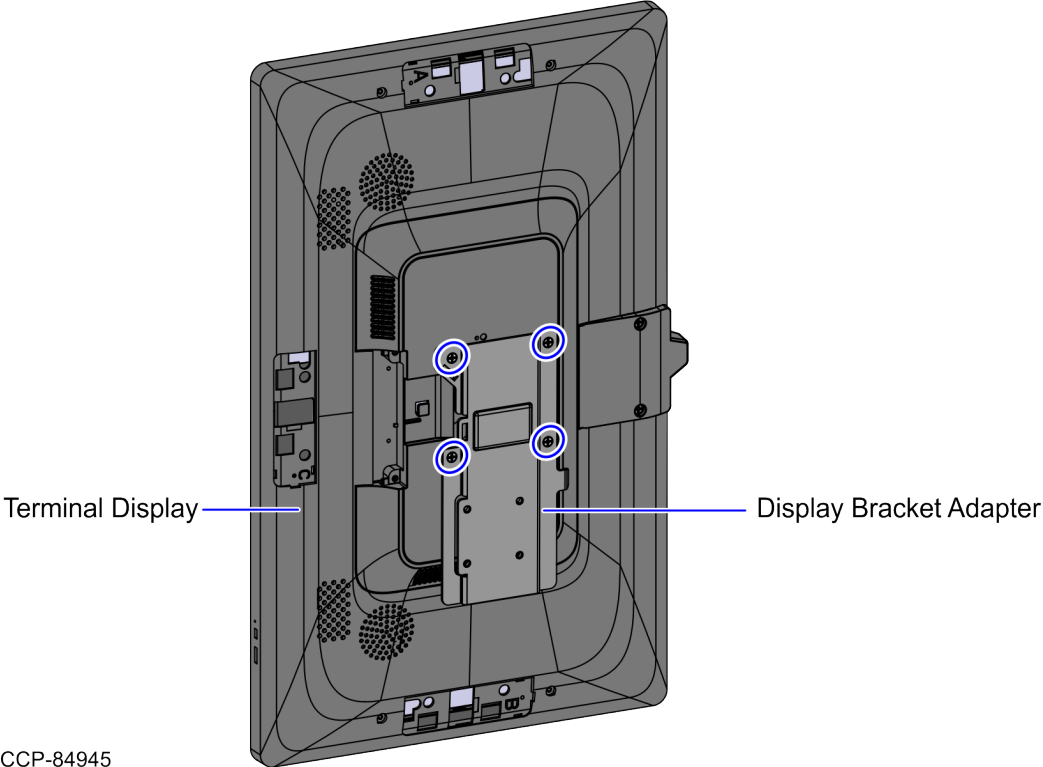
# Installing the Display Brackets for Portrait Orientation

To install the Terminal Display in portrait orientation on any 7371 NCR Voyix SCO Hardware Full Function unit or on a 7372 NCR Voyix SCO Card Only unit, install the Display brackets using the following steps:

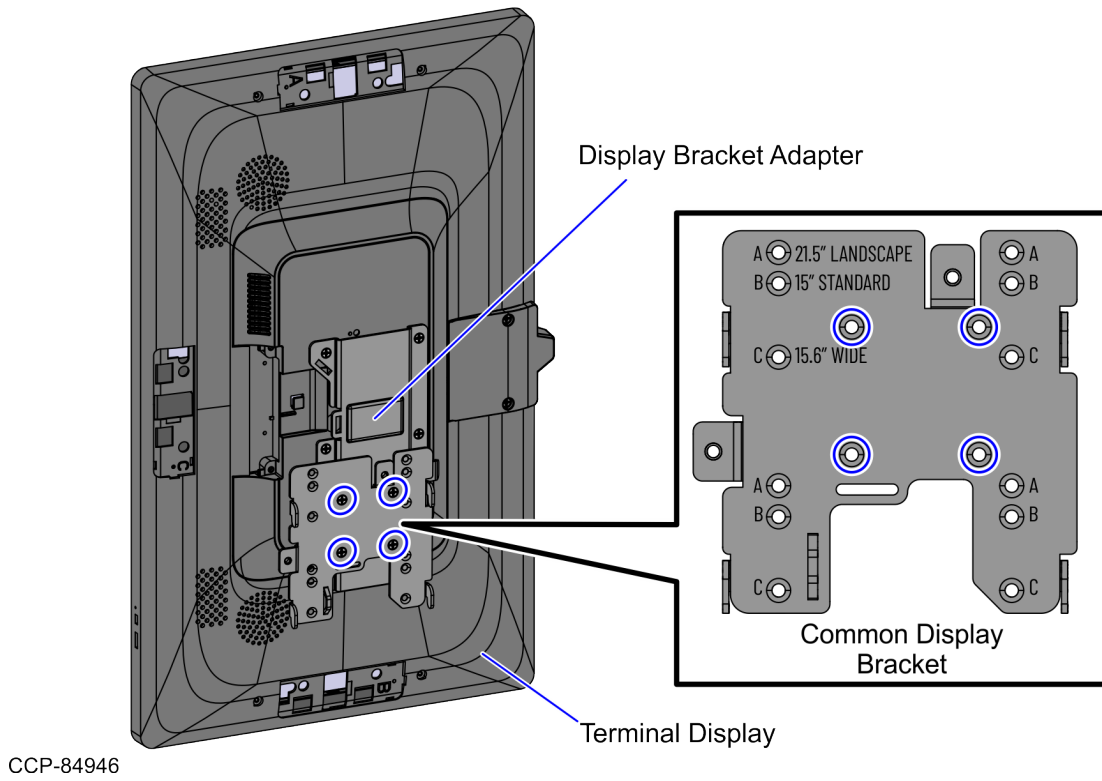
1. On the Display Support Bracket, attach the Connector Cover using two (2) screws, as shown in the image below.



2. At the back of the Terminal Display, attach the Display Bracket Adapter using four (4) screws.



3. Attach the Common Display Bracket on the Display Bracket Adapter using four (4) screws.



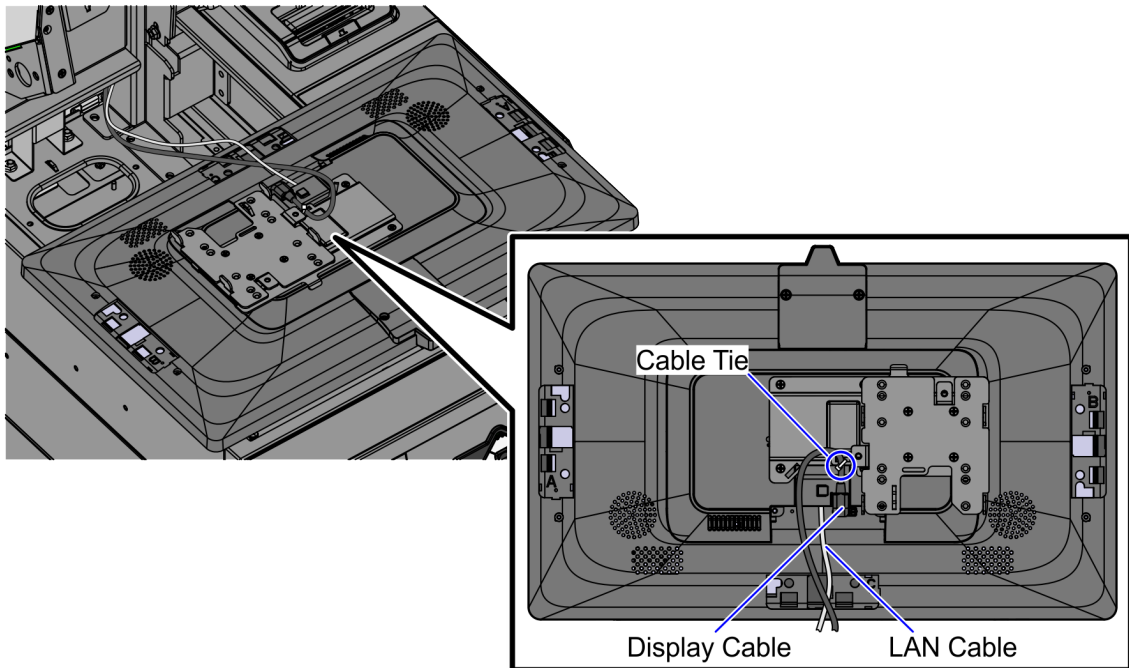
# Installing the 21.5" Terminal Display (Landscape - Fixed)

To install the Terminal Display in landscape orientation on the 7371 NCR Voyix SCO Full Function (Fixed) unit, follow these steps:

1. Install the Display brackets. For more information, refer to "[Installing the Display Brackets for Landscape Orientation \(Fixed\)](#)" on page 16.
2. Install the Rear Cosmetic Cover. For more information, refer to "[Installing the Rear Cosmetic Cover](#)" on page 14.
3. Place the Terminal Display on the Top Plate with the back facing up.
4. Connect the cables to the corresponding Terminal Display ports.

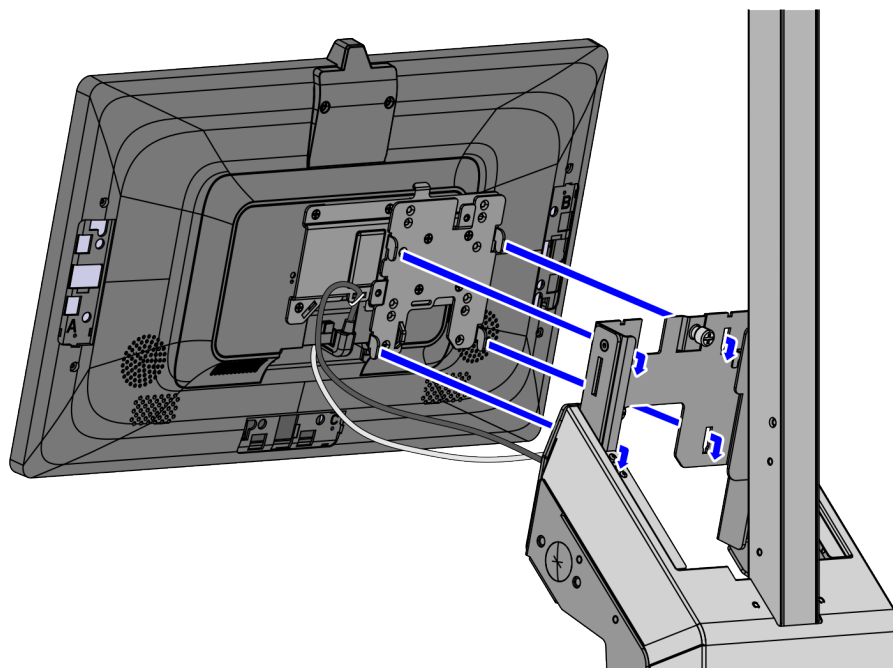
Pre-routed cables	CX7 Terminal Display Port
Display cable	USB Type-C Port A (Power/Data) Tighten the screw on the USB connector.
Network cable	LAN

5. Route and secure the Display cable on the Terminal Display, as shown in the image below.



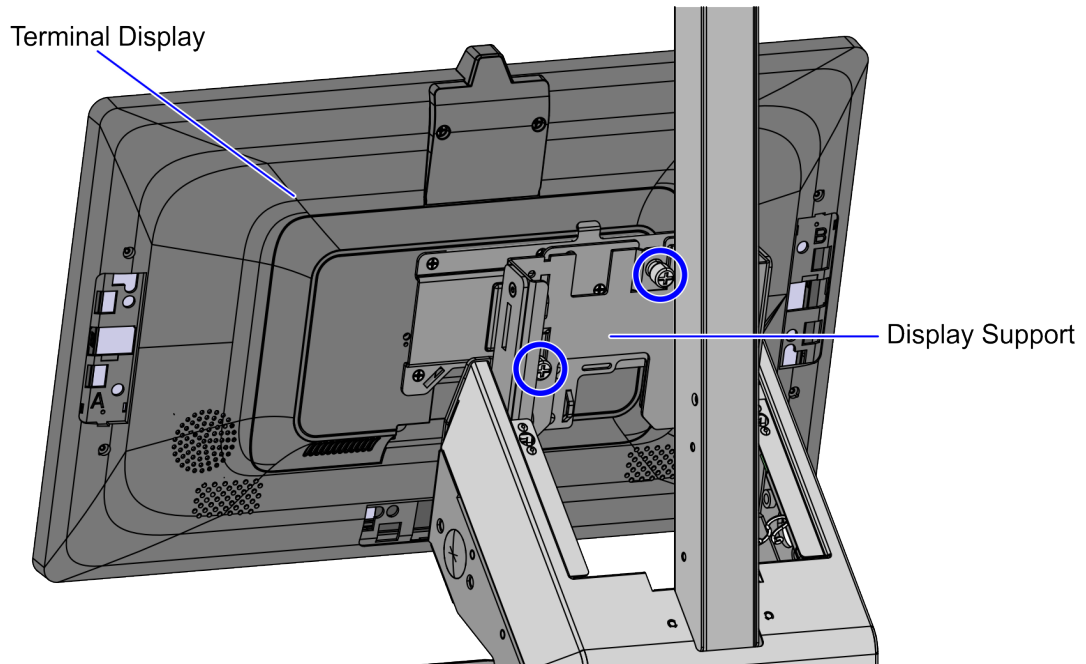
CCP-84951

6. Slide the Terminal Display down the Display Support Bracket by inserting the hooks on the Common Display Bracket into the corresponding holes, as shown in the image below.



CCP-84952

7. Secure the Terminal Display using two (2) thumb screws, as shown in the image below.



CCP-84953

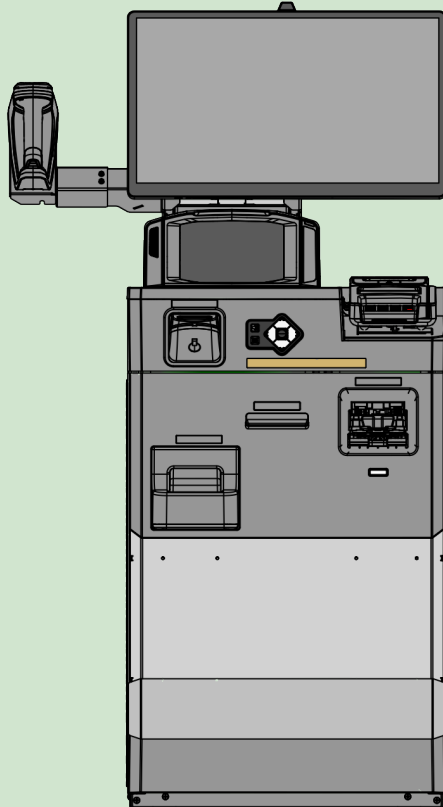
8. Close the Tower Cabinet. For more information, refer to ["Closing the Tower Cabinet"](#) on page 35.



**Note**

Ensure that the Terminal Display is positioned at the center relative to the Self-Checkout unit, as shown in the example below.

**7371 Full Function Fixed 7772 21.5” Terminal Display (Landscape Orientation)**



CCP-84954

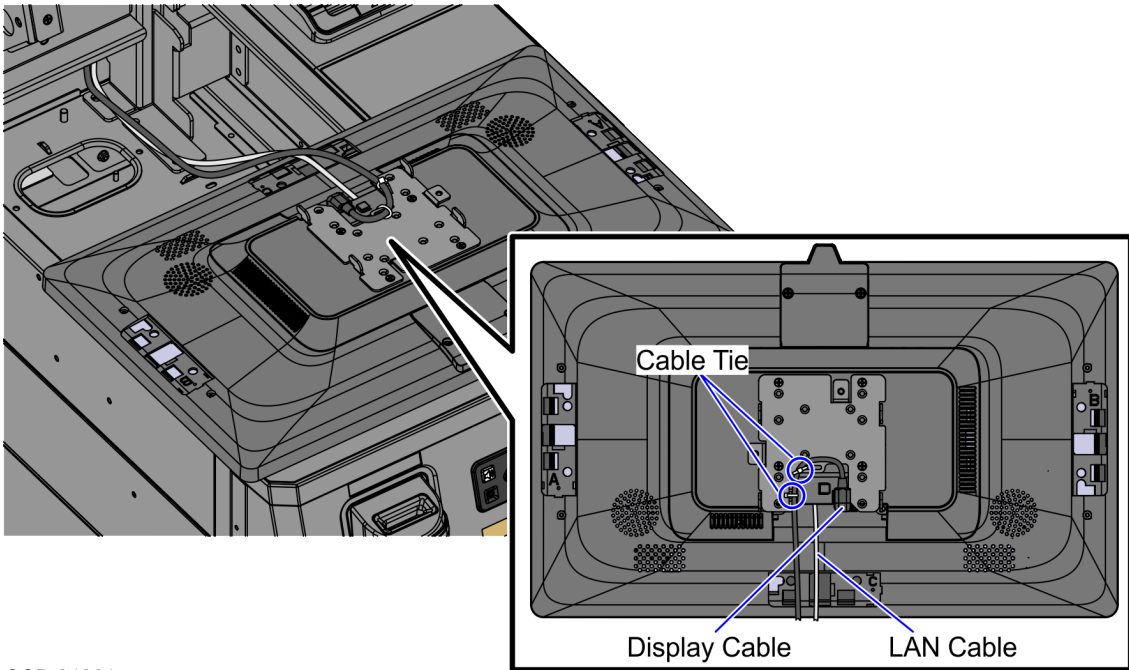
# Installing the 21.5" Terminal Display (Landscape - Hybrid/Card Only)

To install the Terminal Display in landscape orientation on the 7371 NCR Voyix SCO Full Function Hybrid or 7372 NCR Voyix SCO Card Only unit, follow these steps:

1. Install the Common Display Bracket. For more information, refer to "[Installing the Common Display Bracket for Landscape Orientation \(Hybrid/Card Only\)](#)" on page 18.
2. Install the Rear Cosmetic Cover. For more information, refer to "[Installing the Rear Cosmetic Cover](#)" on page 14.
3. Place the Terminal Display on the Top Plate with the back facing up.
4. Connect the cables to the corresponding Terminal Display ports.

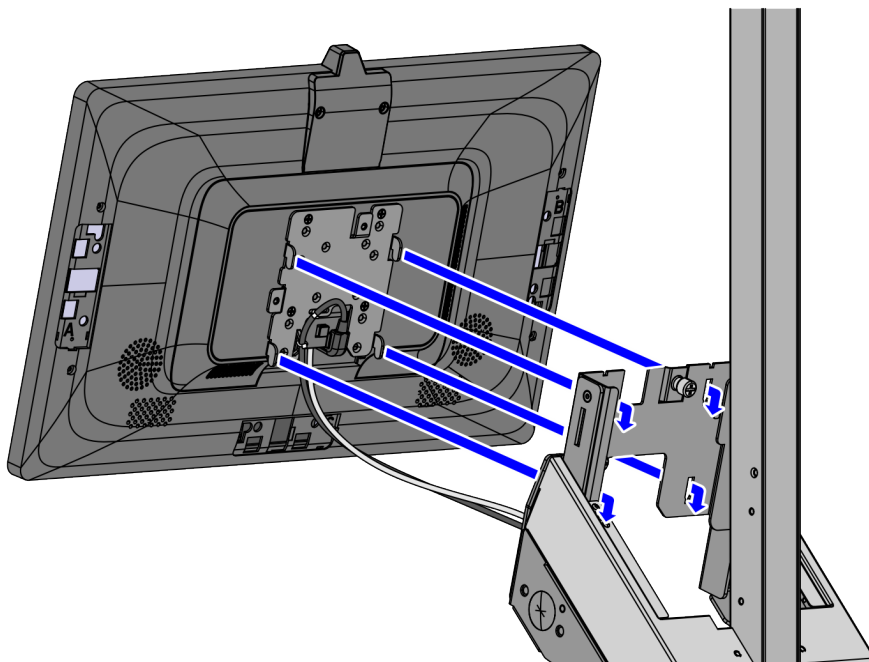
Pre-routed cables	CX7 Terminal Display Port
Display cable	USB Type-C Port A (Power/Data) Tighten the screw on the USB connector.
Network cable	LAN

5. Route and secure the Display cable on the Terminal Display, as shown in the image below.



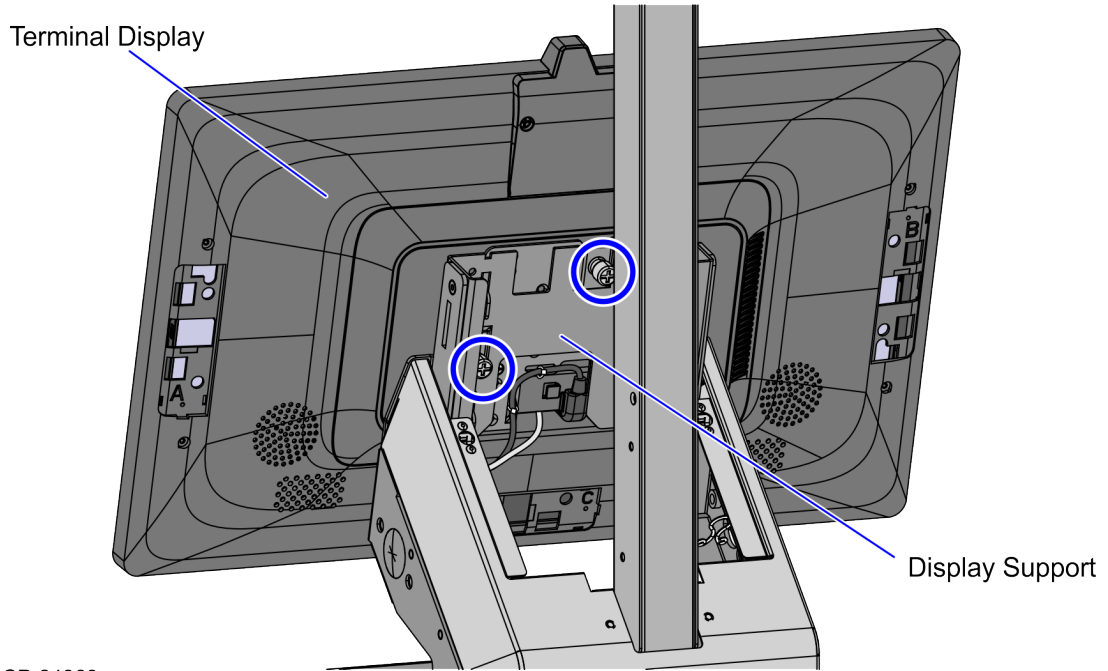
CCP-84961

6. Slide the Terminal Display down the Display Support Bracket by inserting the hooks on the Common Display Bracket into the corresponding holes, as shown in the image below.



CCP-84962

7. Secure the Terminal Display using two (2) thumb screws, as shown in the image below.



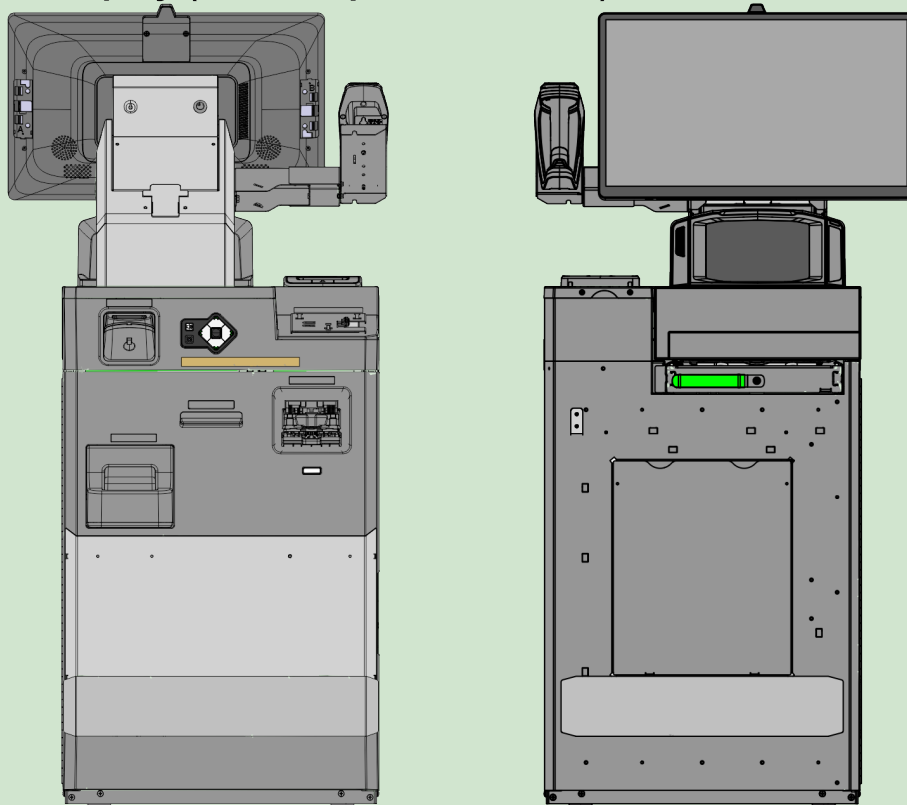
CCP-84963

8. Close the Tower Cabinet. For more information, refer to ["Closing the Tower Cabinet"](#) on page 35.

**Note**

Ensure that the Terminal Display is positioned at the center relative to the Scanner/Scale unit, as shown in the examples below.

**7371 Full Function Hybrid 7772 21.5”  
Terminal Display (Landscape Orientation)**

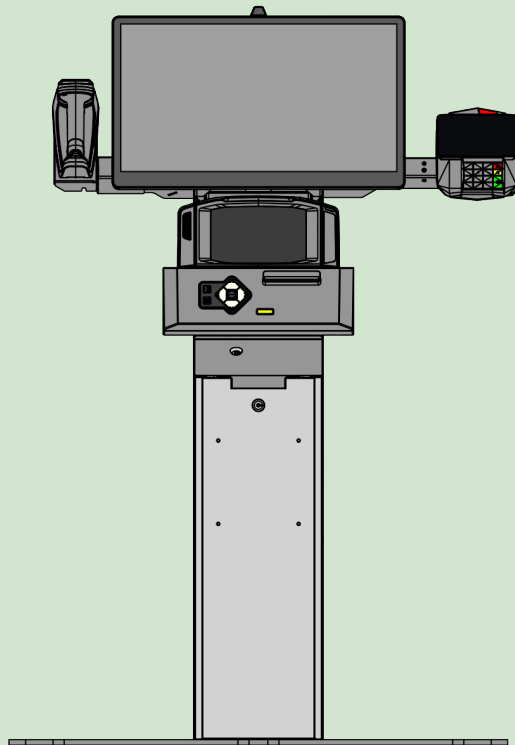


CCP-84955

Customer View

Attendant View

**7372 Card Only 7772 21.5”  
Terminal Display (Landscape Orientation)**



CCP-84956

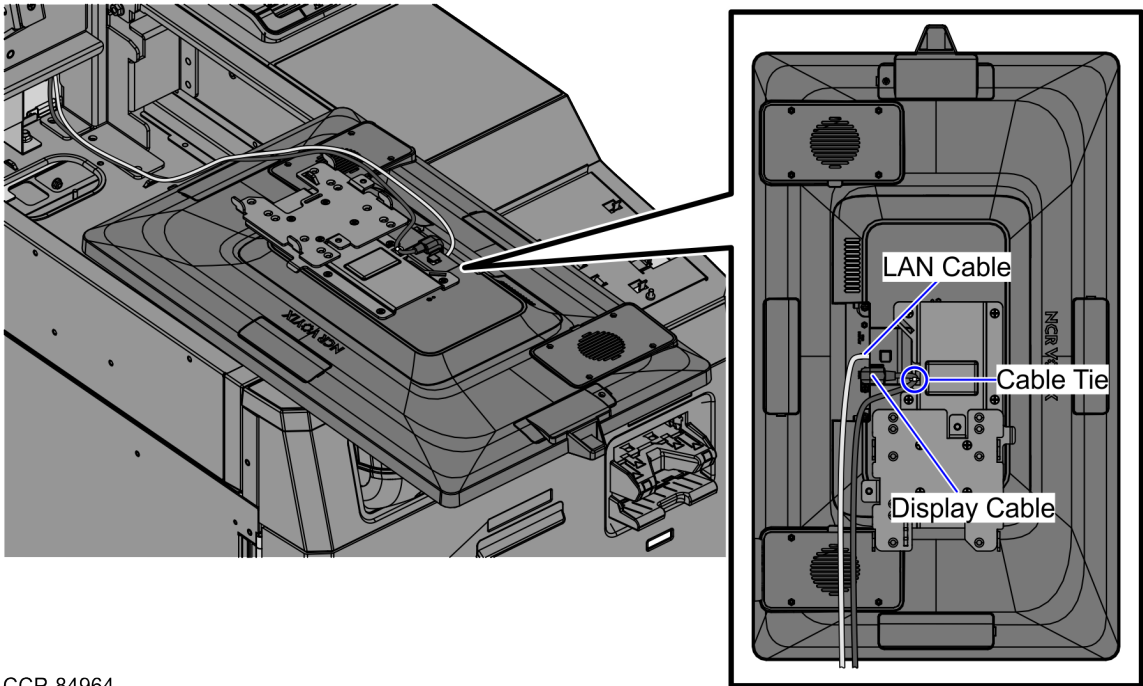
# Installing the 21.5" Terminal Display (Portrait)

To install the Terminal Display in portrait orientation on an NCR Voyix Self-Checkout unit, follow these steps:

1. Install the Common Display Bracket. For more information, refer to "[Installing the Display Brackets for Portrait Orientation](#)" on page 19.
2. Install the Rear Cosmetic Cover. For more information, refer to "[Installing the Rear Cosmetic Cover](#)" on page 14.
3. Place the Terminal Display on the Top Plate with the back facing up.
4. Connect the cables to the corresponding Terminal Display ports.

Pre-routed cables	CX7 Terminal Display Port
Display cable	USB Type-C Port A (Power/Data) Tighten the screw on the USB connector.
Network cable	LAN

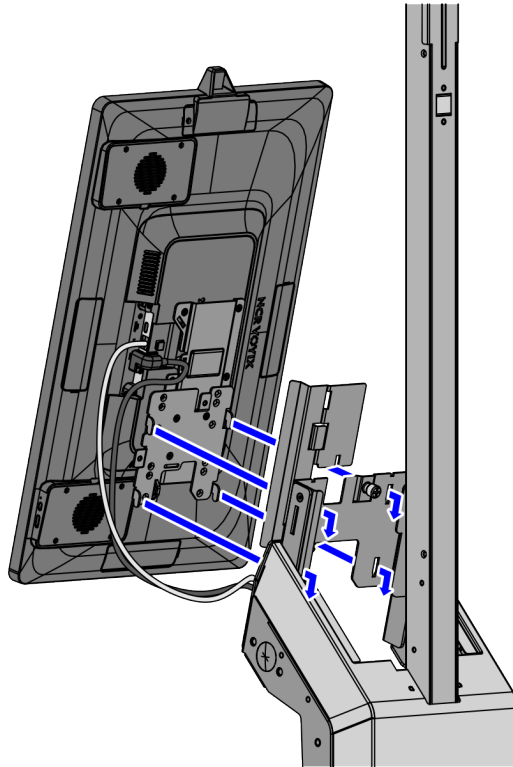
5. Route and secure the Display cable on the Terminal Display, as shown in the image below.



CCP-84964

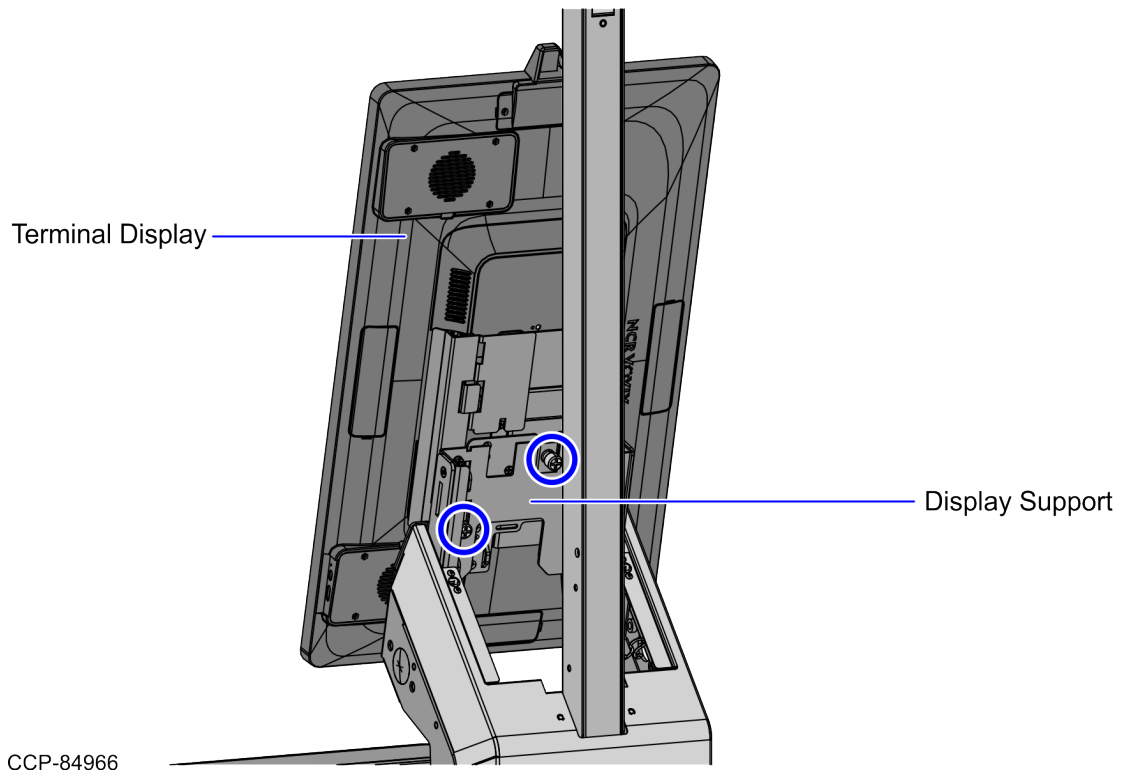


- Slide the Terminal Display down the Display Support Bracket by inserting the hooks on the Common Display Bracket into the corresponding holes, as shown in the image below.



CCP-84965

7. Secure the Terminal Display using two (2) thumb screws, as shown in the image below.

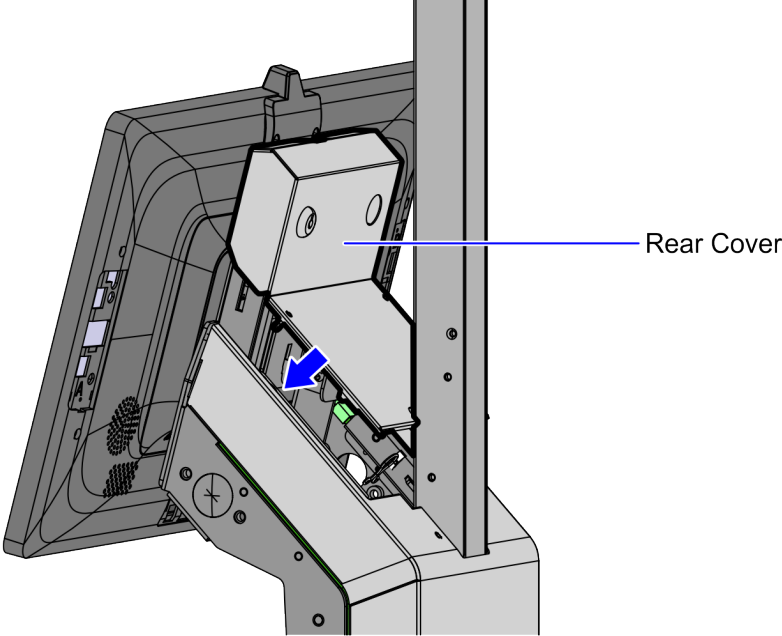


8. Close the Tower Cabinet. For more information, refer to ["Closing the Tower Cabinet"](#) on the next page.

# Closing the Tower Cabinet

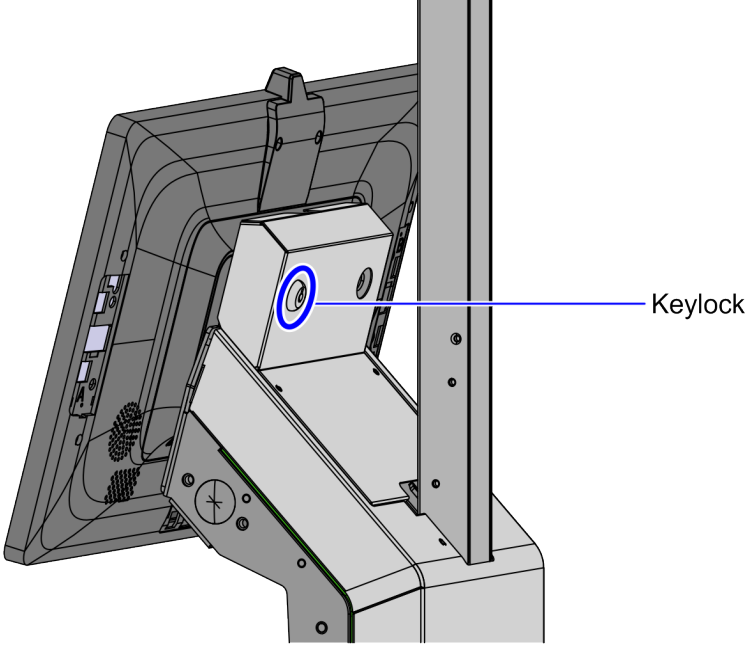
To close the Tower Cabinet, follow these steps:

- 1. Place the Rear Cover on the back of the Tower Cabinet.



CCP-84959

- 2. Lock the Rear Cover to the Tower Cabinet using a key.



CCP-84960