



## Kit Instructions

### Tri-Light Pole Blank (Mid Impact Silver)



7371-K011

Issue A

The product described in this document is a licensed product of NCR Corporation.

NCR is a registered trademark of NCR Corporation. NCR Self-Checkout Hardware is a trademark of NCR Corporation in the United States and/or other countries. Other product names mentioned in this publication may be trademarks or registered trademarks of their respective companies and are hereby acknowledged.

The terms HDMI and HDMI High-Definition Multimedia Interface, and the HDMI Logo are trademarks or registered trademarks of HDMI Licensing LLC in the United States and other countries.

Where creation of derivative works, modifications or copies of this NCR copyrighted documentation is permitted under the terms and conditions of an agreement you have with NCR, NCR's copyright notice must be included.

It is the policy of NCR Corporation (NCR) to improve products as new technology, components, software, and firmware become available. NCR, therefore, reserves the right to change specifications without prior notice.

All features, functions, and operations described herein may not be marketed by NCR in all parts of the world. In some instances, photographs are of equipment prototypes. Therefore, before using this document, consult with your NCR representative or NCR office for information that is applicable and current.

Copyright © 2023

By NCR Corporation  
Global Headquarters  
864 Spring St. NW  
Atlanta, GA 30308  
United States  
All Rights Reserved

---

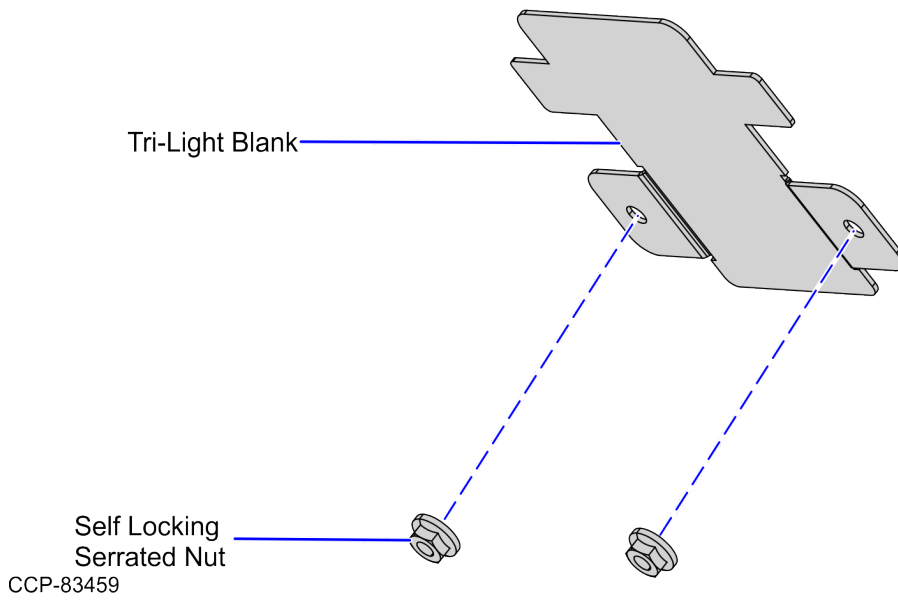
# Revision Record

Issue	Date	Remarks
A	Oct 2023	First issue.

# Tri-Light Pole Blank (Mid Impact Silver)

This publication provides instructions for installing the 7371-K011 Tri-Light Pole Blank (Mid Impact Silver) to the NCR Self-Checkout Hardware (7371).

## Kit Contents



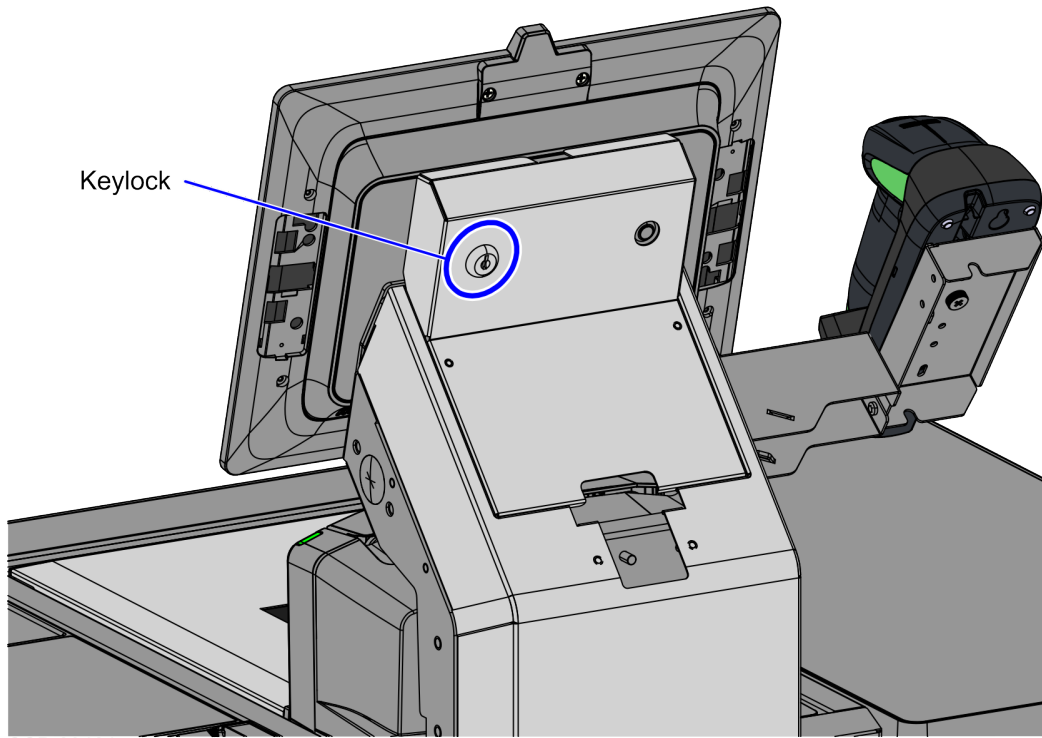
Part Number	Description
497-0534187	Kit- Tri-Light Pole Blank - Mid Impact Silver
795-0295235	R7 Tri-light Blank (Mid-Impact Silver)
009-0007087	Serrated Nut - Self Locking - Hex, M4, 4.2 (2 pcs)
*497-0423108	Instructions Kit (Reference Sheet)

\* Items marked with an asterisk are not called out on the image.

# Installation Procedure

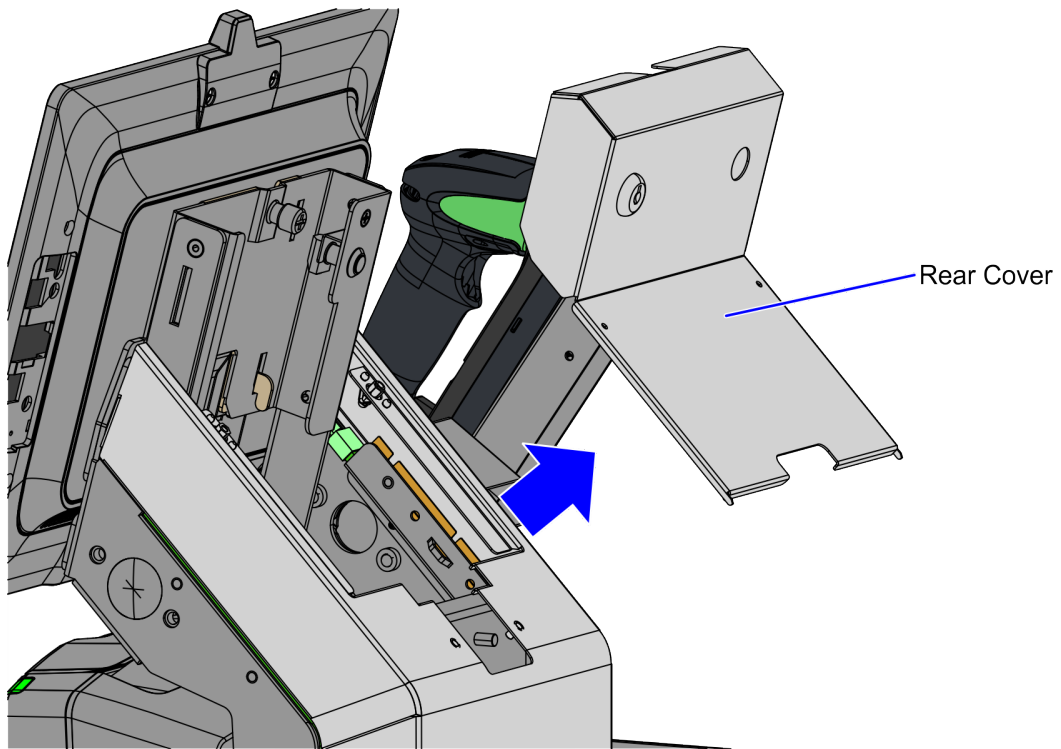
To install the Tri-Light Pole Blank, follow these steps:

1. Remove the existing Tri-Light/Lane Light Pole, if necessary.
2. Unlock the Rear Cover of the Tower Cabinet using a key.

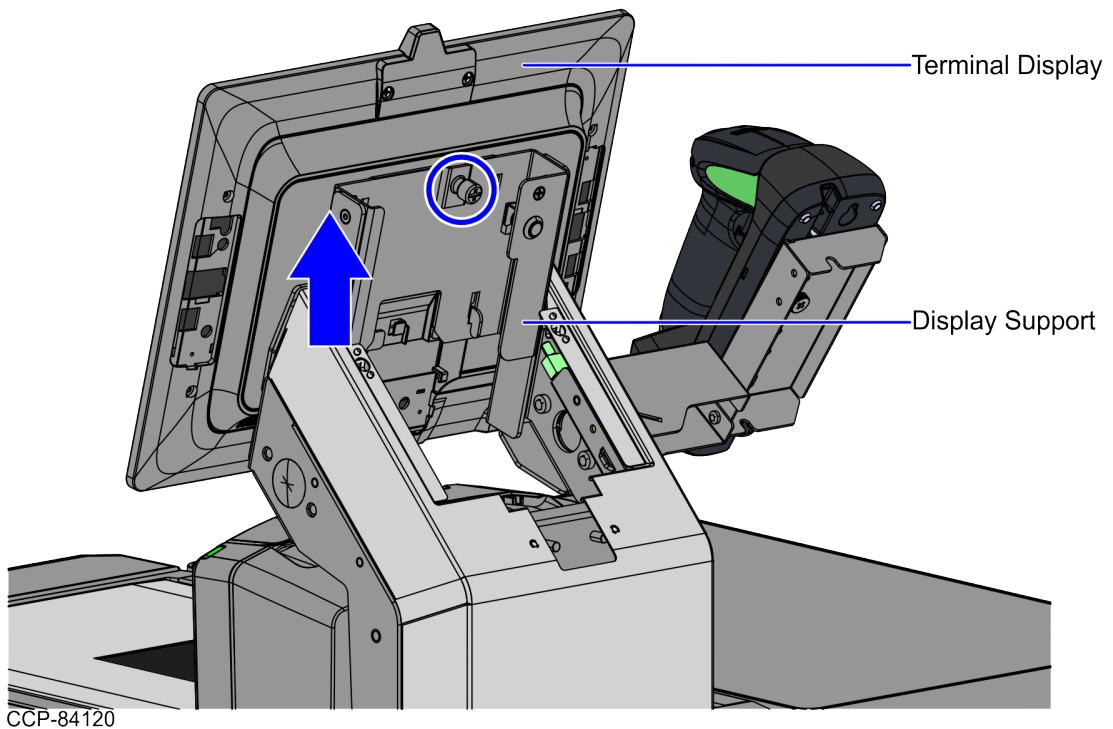


CCP-83464

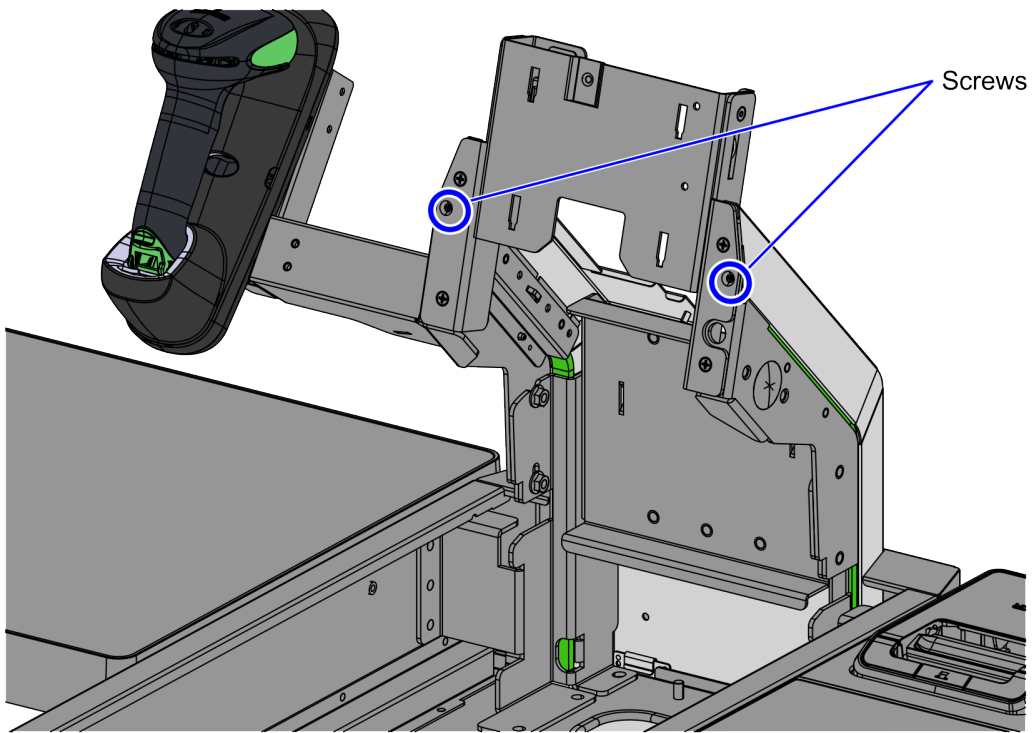
3. Remove the Rear Cover from the Tower Cabinet.



4. Loosen the thumb screw and slide the Terminal Display up to remove it from the Display Support, as shown in the image below.

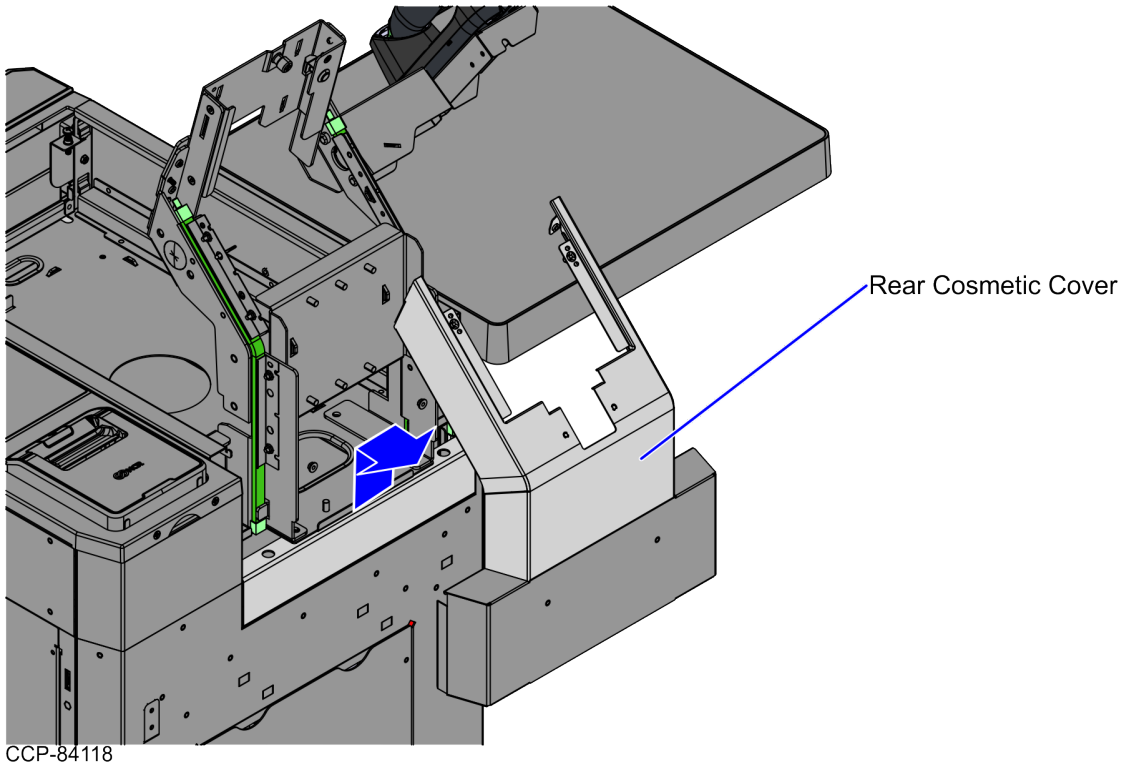


5. Remove two (2) screws securing the Lower Rear Cosmetic Cover to the Tower Frame.

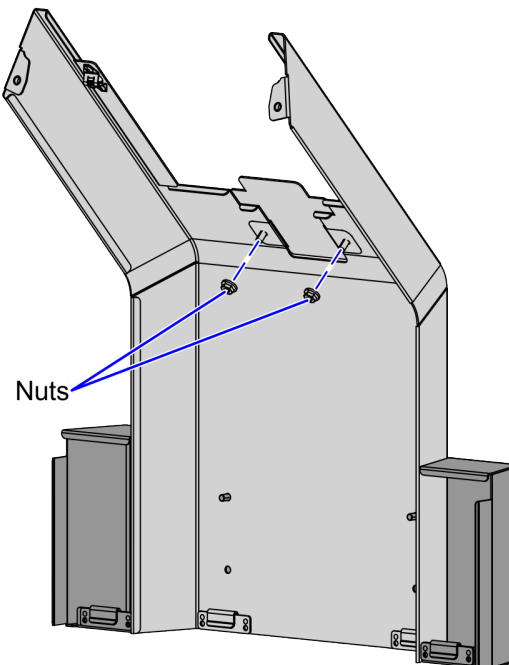


CCP-84122

6. Pull up the the Rear Cosmetic Cover to disengage the four (4) hooks from the tabs on the Scanner/Scale Bucket frame.



7. Attach the Tri-Light Pole Blank to the Lower Rear Cosmetic Cover using two (2) nuts.

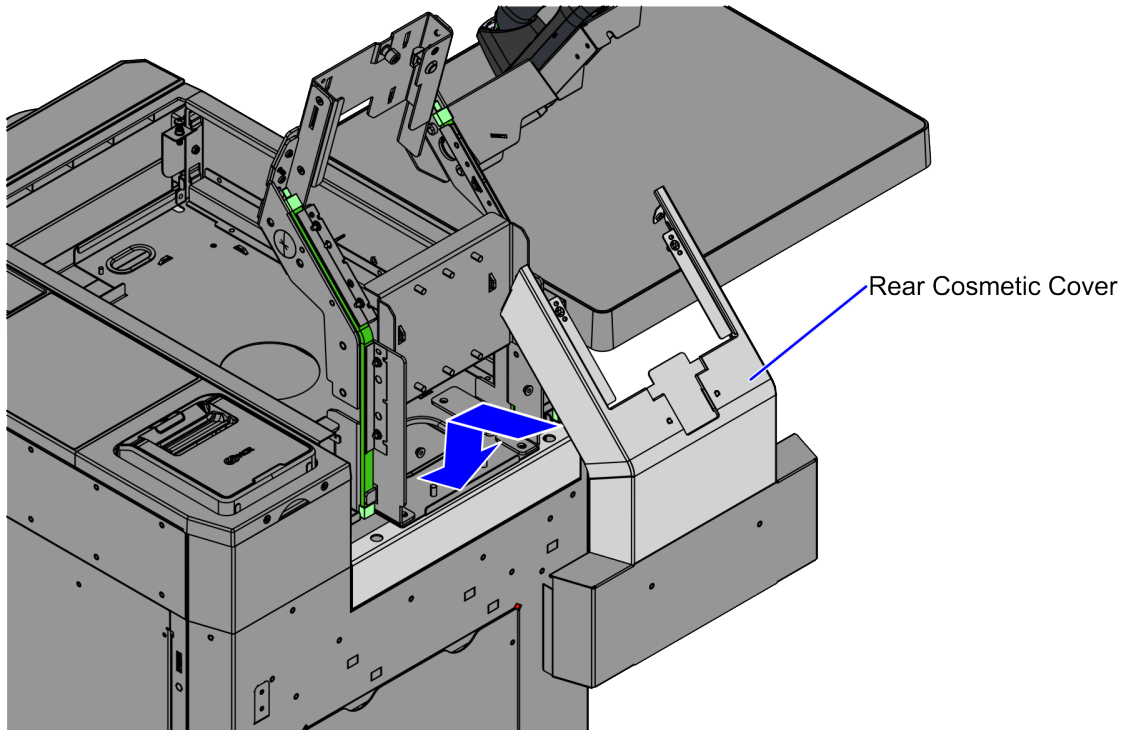




8. Attach the Lower Rear Cosmetic Cover to the Scanner/Scale Bucket frame.

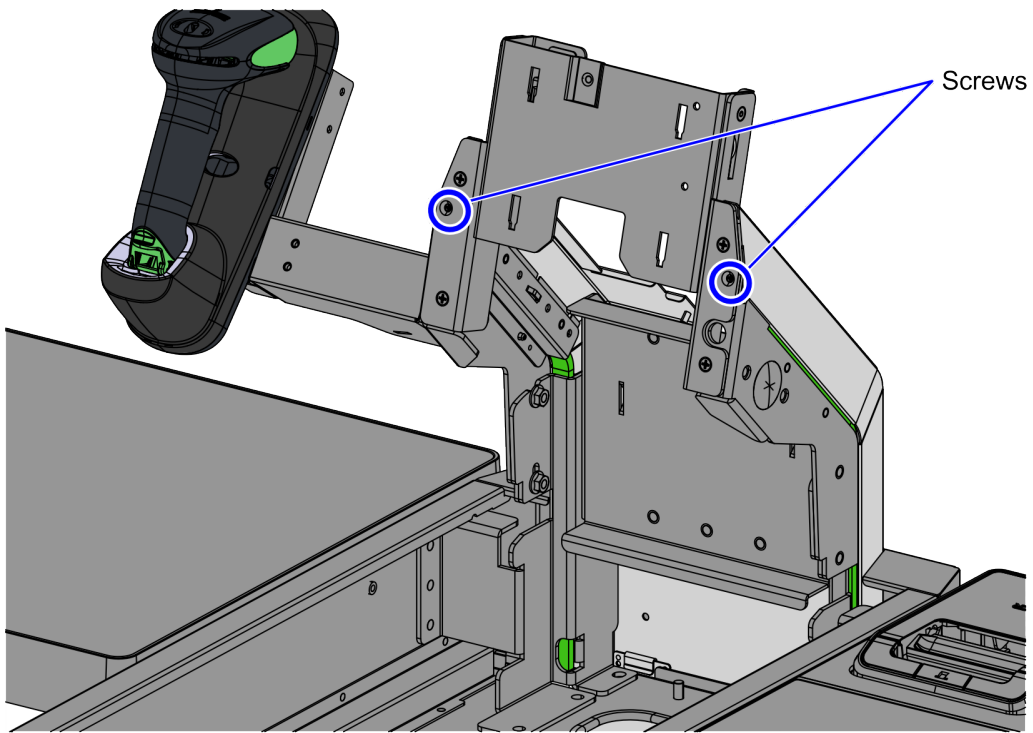
**i Note**

Ensure that all four (4) hooks are engaged to the tabs.



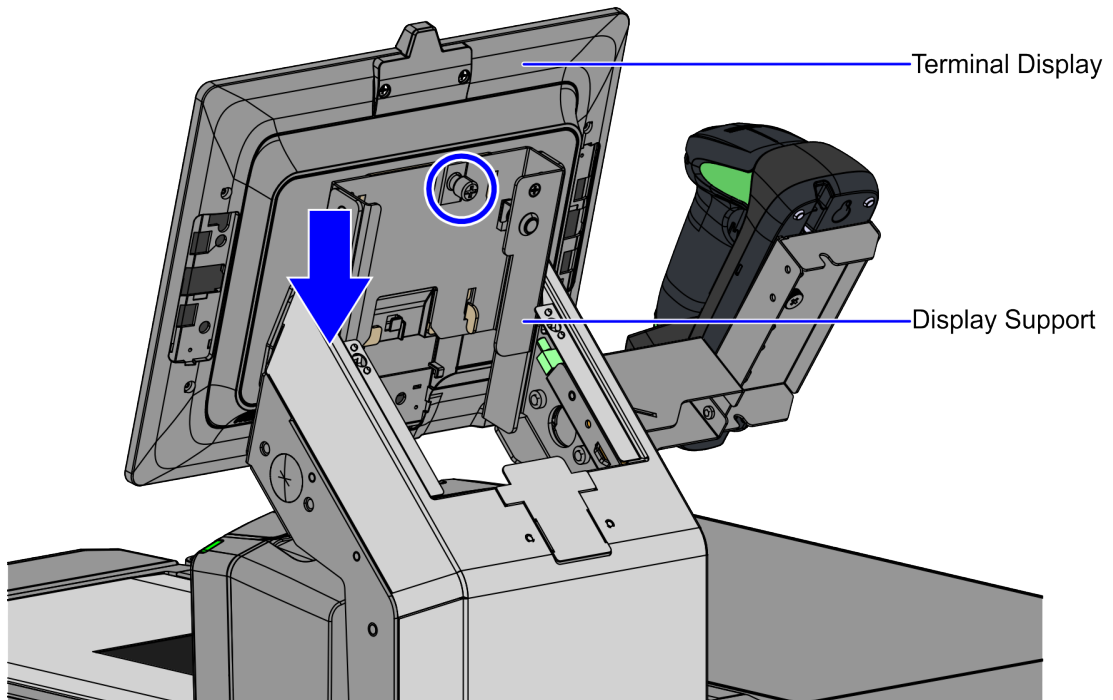
CCP-84119

- Secure the the Lower Rear Cosmetic Cover to the Tower Frame with two (2) screws.



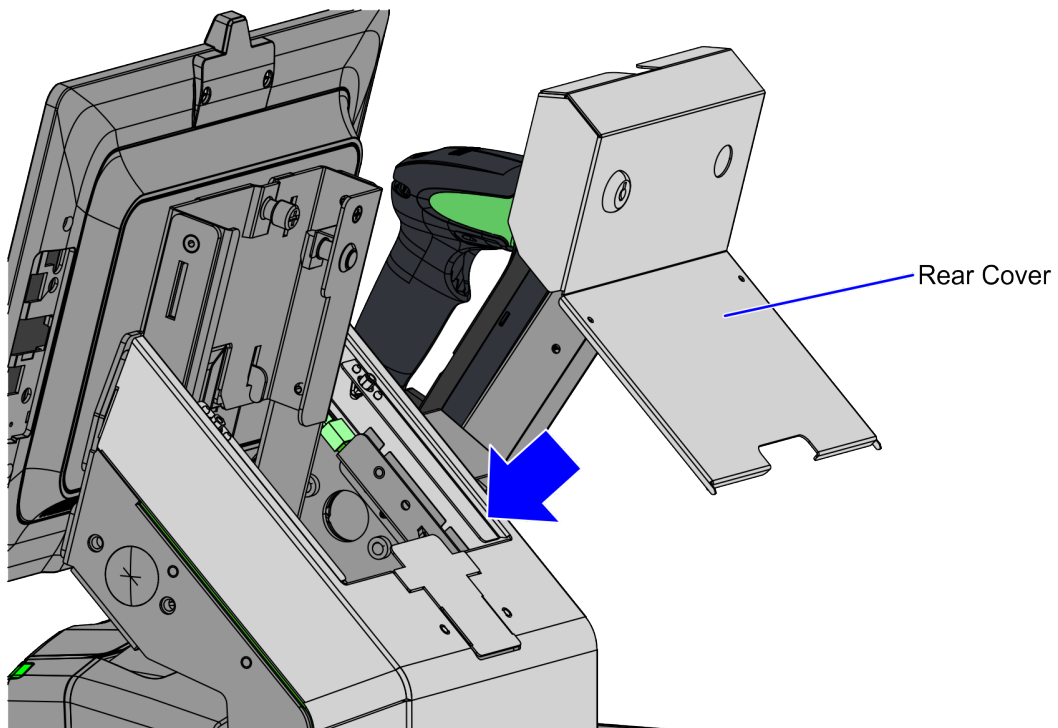
CCP-84122

- Slide the Terminal Display down the Display Support and then secure it using a thumb screw, as shown in the image below.



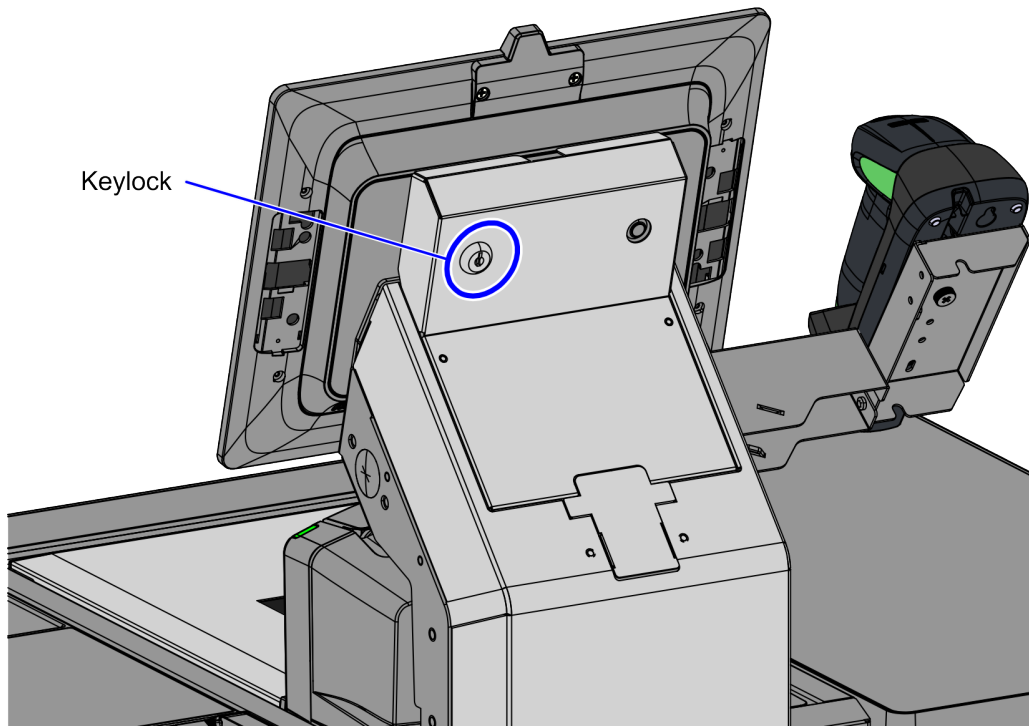
CCP-84121

- Place the Rear Cover on the back of the Tower Cabinet.



CCP-83468

12. Lock the Rear Cover to the Tower Cabinet using a key.



CCP-84107