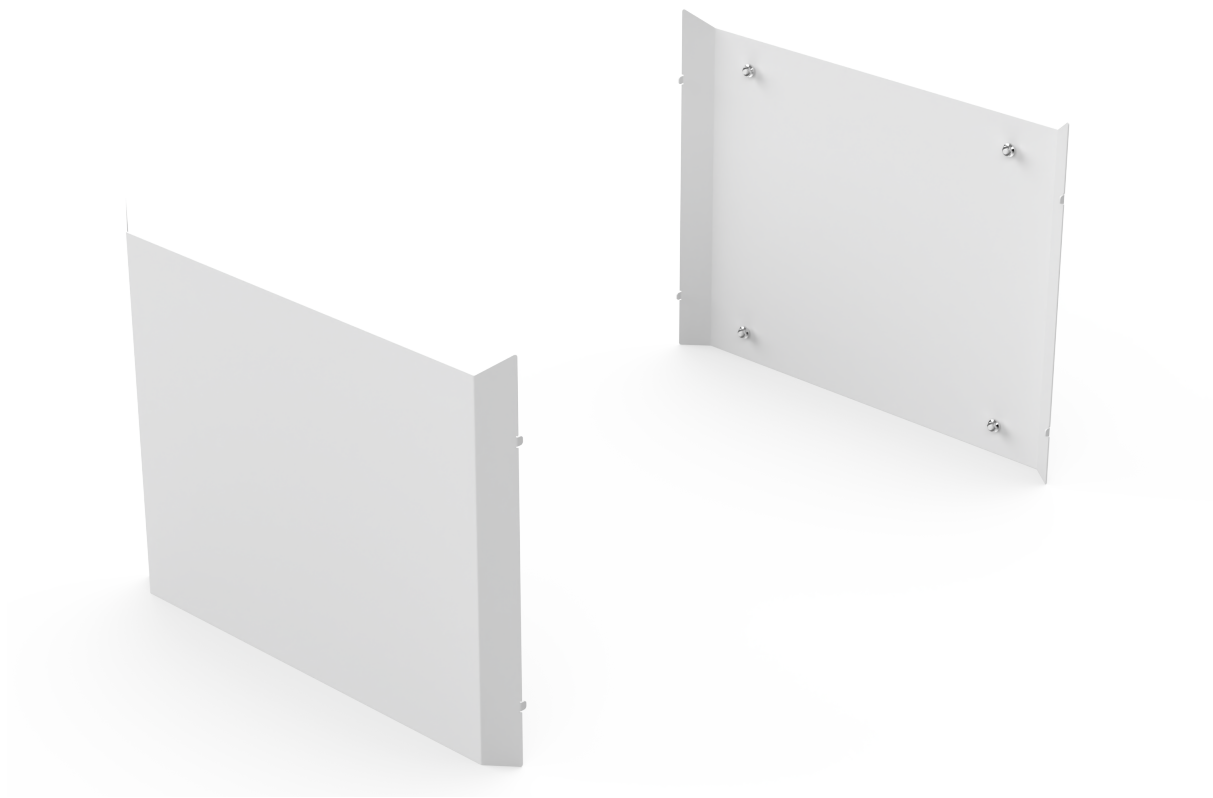




Kit Instructions

Bagwell Color (Mid Impact Silver)



7371-K010

Issue A

The product described in this document is a licensed product of NCR Corporation.

NCR is a registered trademark of NCR Corporation. NCR Self-Checkout Hardware is a trademark of NCR Corporation in the United States and/or other countries. Other product names mentioned in this publication may be trademarks or registered trademarks of their respective companies and are hereby acknowledged.

The terms HDMI and HDMI High-Definition Multimedia Interface, and the HDMI Logo are trademarks or registered trademarks of HDMI Licensing LLC in the United States and other countries.

Where creation of derivative works, modifications or copies of this NCR copyrighted documentation is permitted under the terms and conditions of an agreement you have with NCR, NCR's copyright notice must be included.

It is the policy of NCR Corporation (NCR) to improve products as new technology, components, software, and firmware become available. NCR, therefore, reserves the right to change specifications without prior notice.

All features, functions, and operations described herein may not be marketed by NCR in all parts of the world. In some instances, photographs are of equipment prototypes. Therefore, before using this document, consult with your NCR representative or NCR office for information that is applicable and current.

Copyright © 2023

By NCR Voyix Corporation

Global Headquarters

864 Spring St. NW

Atlanta, GA 30308

United States

All Rights Reserved

Confidential and proprietary information of NCR Voyix Corporation.

Unauthorized use, reproduction and/or distribution is strictly prohibited.

Revision Record

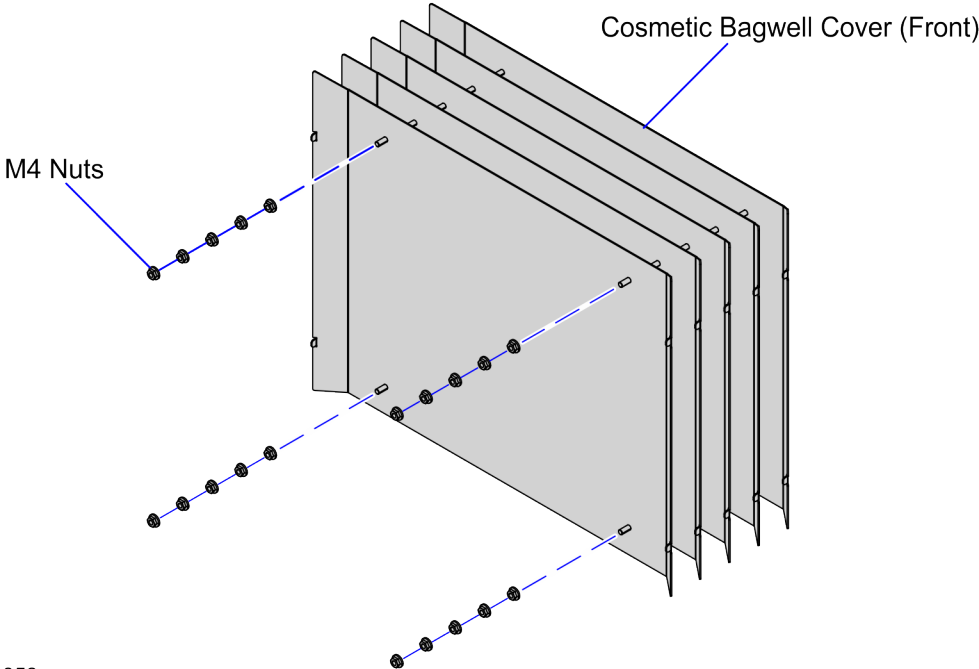
Issue	Date	Remarks
A	Oct 2023	First issue.

Confidential and proprietary information of NCR Voyix Corporation.
Unauthorized use, reproduction and/or distribution is strictly prohibited.

Bagwell Color (Mid Impact Silver)

This publication provides procedures for installing the 7371-K010 Bagwell Color (Mid Impact Silver) panel cover to the 7371 Bagwell Panel (Front).

Kit Contents



CCP-83053

Part Number	Description
497-0533876	7371-K010 Bagwell Color (Mid Impact Silver)
795-0297535	Front Cover, Cosmetic, Bagwell (Mid-Impact Silver) (5 pcs)
009-0007087	Serrated Nut - Self Locking (Hex, M4, 4.2) (20 pcs)
* 497-0423108	Instructions Kit (Reference Sheet)

* Items marked with an asterisk are not called out on the image.

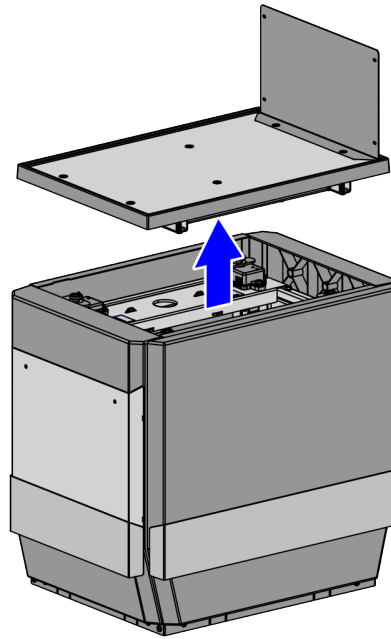
Installation Procedure

To install the 7371-K010 Bagwell Color (Mid Impact Silver) panel cover to the 7371 Bagwell Panel (Front), follow these steps:

Confidential and proprietary information of NCR Voyix Corporation.

Unauthorized use, reproduction and/or distribution is strictly prohibited.

1. Lift and remove the Scale Tray from the Bagwell.



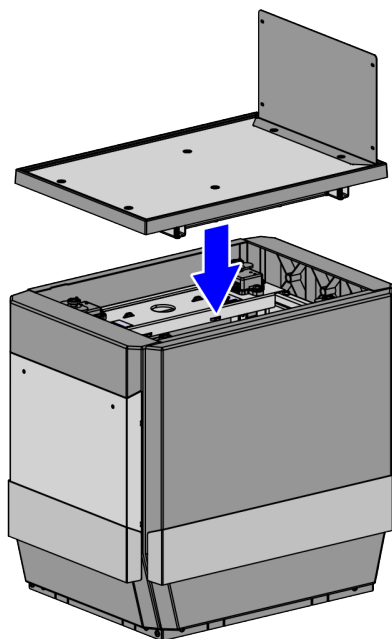
CCP-82969

2. Remove the Bagwell Panel (Front) from the Bagwell Frame. For more information, refer to [Removing the Bumper from the Bagwell Panel \(Front\)](#).
3. If necessary, do the following:
 - Remove the Bumper from the Bagwell Panel (Front). For more information, refer to [Removing the Bumper from the Bagwell Panel \(Front\)](#).
 - Remove the existing Bagwell Panel Cover (Front). For more information, refer to [Removing the Bagwell Panel \(Front\) Cover](#).
4. Install the Bagwell Color (Mid Impact Silver) panel cover on the Bagwell Panel (Front). For more information, refer to [Installing the Bagwell Panel \(Front\) Cover](#).
5. If necessary, install the Bumper on the Bagwell Panel (Front). For more information, refer to [Installing the Bumper from the Bagwell Panel \(Front\)](#).
6. Install the Bagwell Panel (Front) to the Bagwell Frame. For more information, refer to [Installing the Bagwell Panel \(Front\)](#).

Confidential and proprietary information of NCR Voyix Corporation.

Unauthorized use, reproduction and/or distribution is strictly prohibited.

7. Place the Scale Tray with Backsplash on the Bagwell.



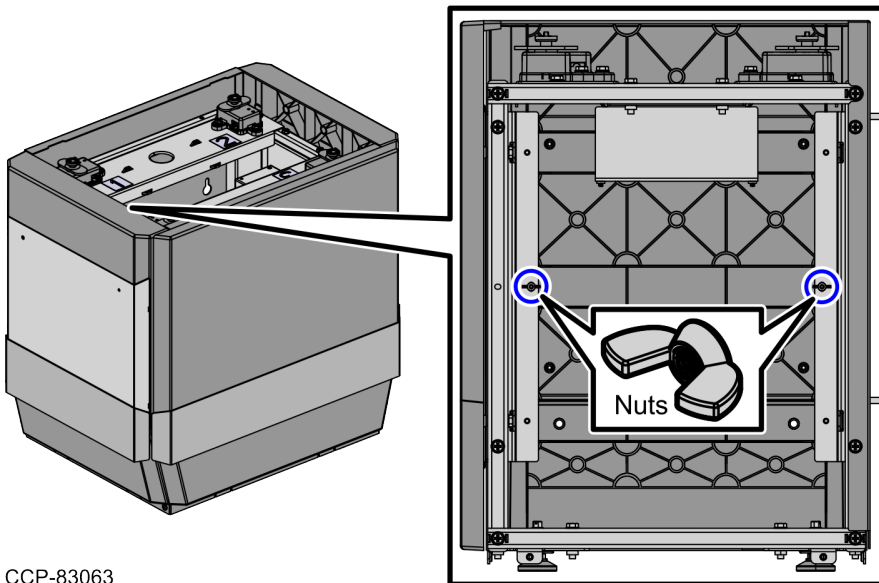
CCP-82970

Removing the Bagwell Panel (Front)

To remove the Bagwell Panel (Front), follow these steps:

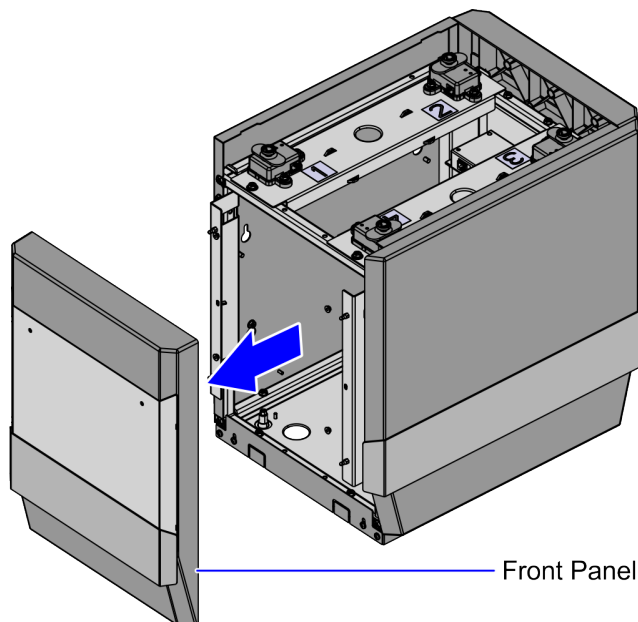
1. Remove two (2) wing nuts from inside the Bagwell to detach the Front Panel, as shown in the image below.

Note
Set aside these wing nuts for reinstallation.



CCP-83063

2. Pull the Front Panel from the Bagwell Frame.



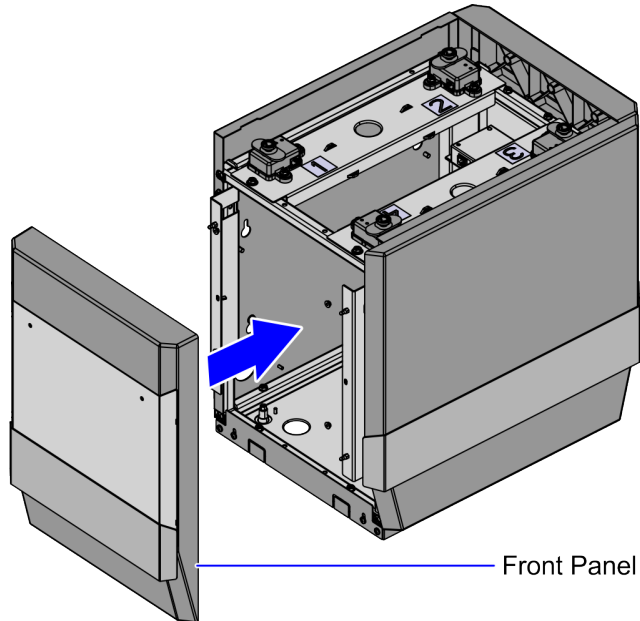
CCP-83064

Confidential and proprietary information of NCR Voyix Corporation.
Unauthorized use, reproduction and/or distribution is strictly prohibited.

Installing the Bagwell Panel (Front)

To Install the Bagwell Panel (Front), follow these steps:

1. Push the Front Panel onto the Bagwell Frame until it clicks and locks into place.

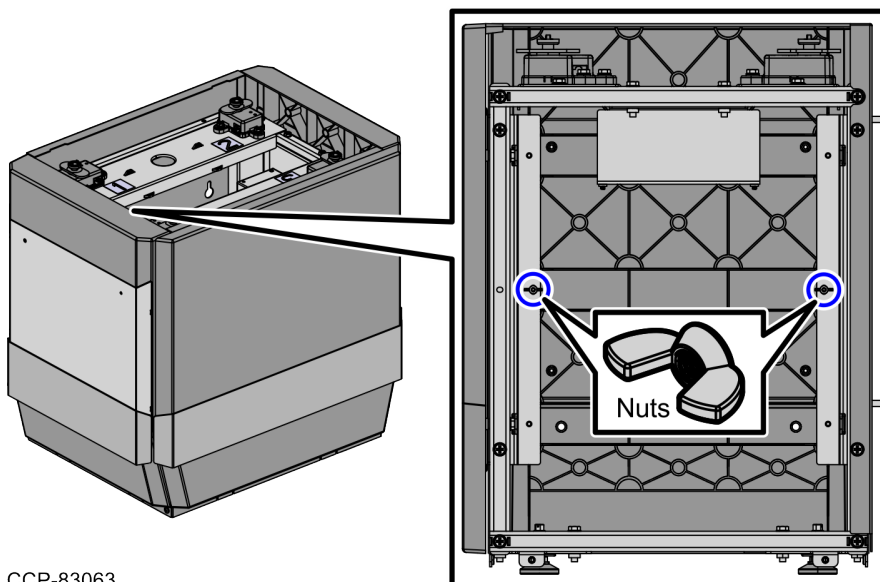


CCP-83065

2. Secure the Panel to the Bagwell Frame using two (2) wing nuts from inside the Bagwell, as shown in the image below.

i Note

Reuse the wing nuts that were previously set aside.



CCP-83063

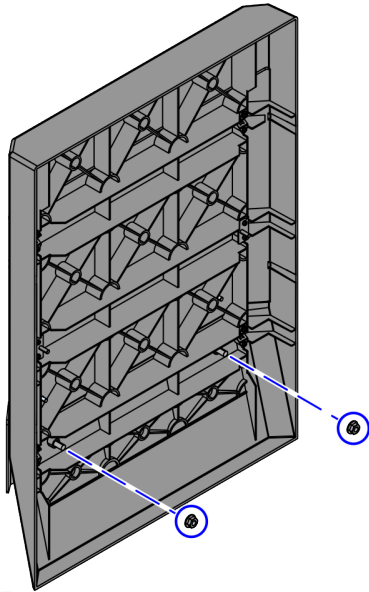
Confidential and proprietary information of NCR Voyix Corporation.
Unauthorized use, reproduction and/or distribution is strictly prohibited.

Removing the Bumper from the Bagwell Panel (Front)

To remove the Bumper from the Bagwell Panel (Front), follow these steps:

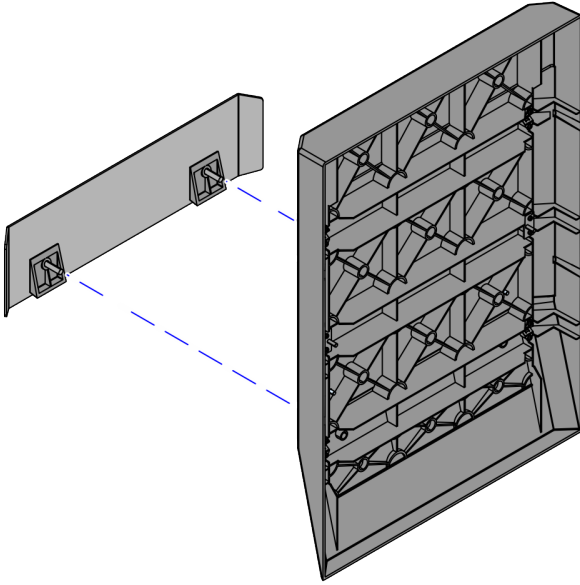
1. Remove two (2) nuts to from the back of the Bagwell Front Panel, as shown in the image below.

i Note
Set aside these nuts for reinstallation.



CCP-82897

2. Detach the Bumper assembly from the Bagwell Front Panel, as shown in the image below.



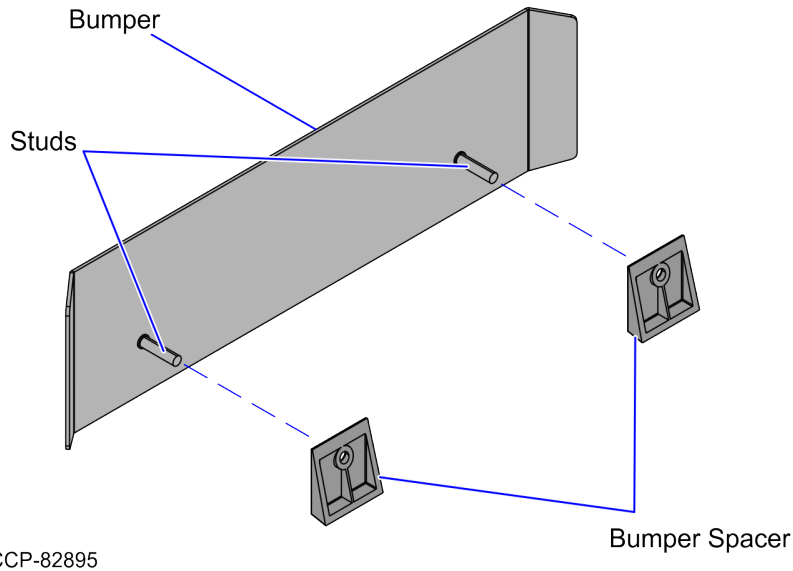
CCP-82896

Confidential and proprietary information of NCR Voyix Corporation.
Unauthorized use, reproduction and/or distribution is strictly prohibited.

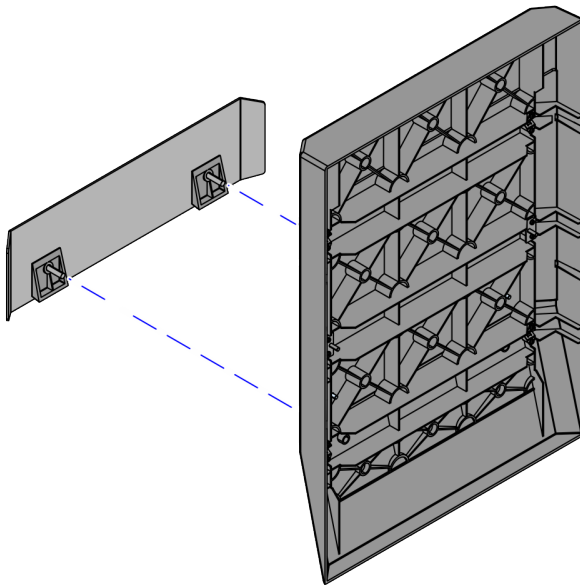
Installing the Bumper from the Bagwell Panel (Front)

To install the Bumper from the Bagwell Panel (Front), follow these steps:

1. Attach the Bumper Spacers to each Bumper stud.



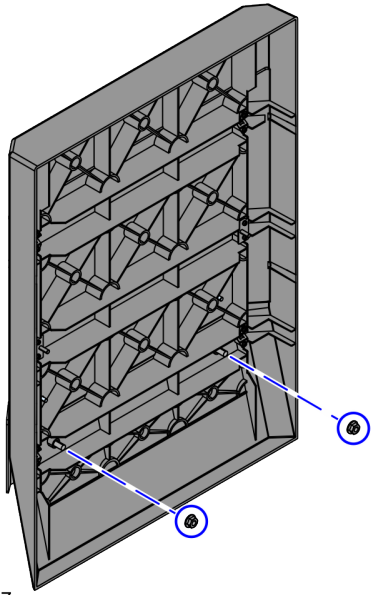
2. Insert the Bumper Studs with Spacers into the corresponding holes on the Bagwell Front Panel, as shown in the image below.



3. Secure the Bumper assembly to the Bagwell Front Panel using two (2) nuts.

Note
Reuse the nuts that were previously set aside.

Confidential and proprietary information of NCR Voyix Corporation.
Unauthorized use, reproduction and/or distribution is strictly prohibited.



CCP-82897

Confidential and proprietary information of NCR Voyix Corporation.
Unauthorized use, reproduction and/or distribution is strictly prohibited.

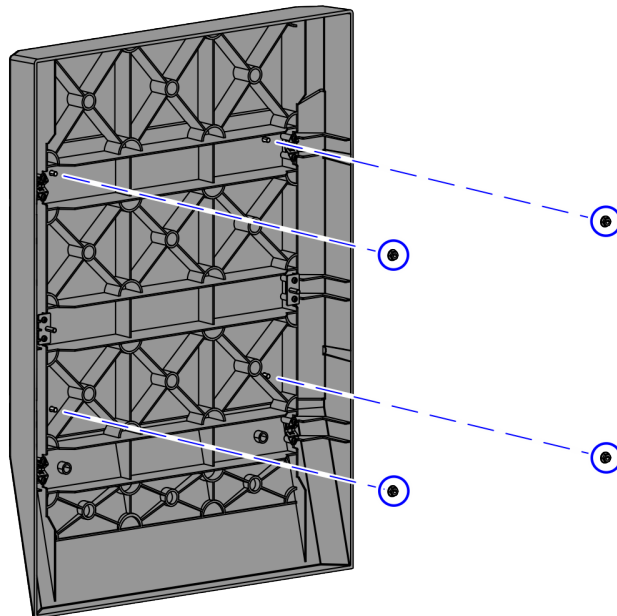
Removing the Bagwell Panel (Front) Cover

To remove the Bagwell Panel (Front) Cover, follow these steps:

1. Remove four (4) nuts to from the back of the Bagwell Front Panel, as shown in the image below.

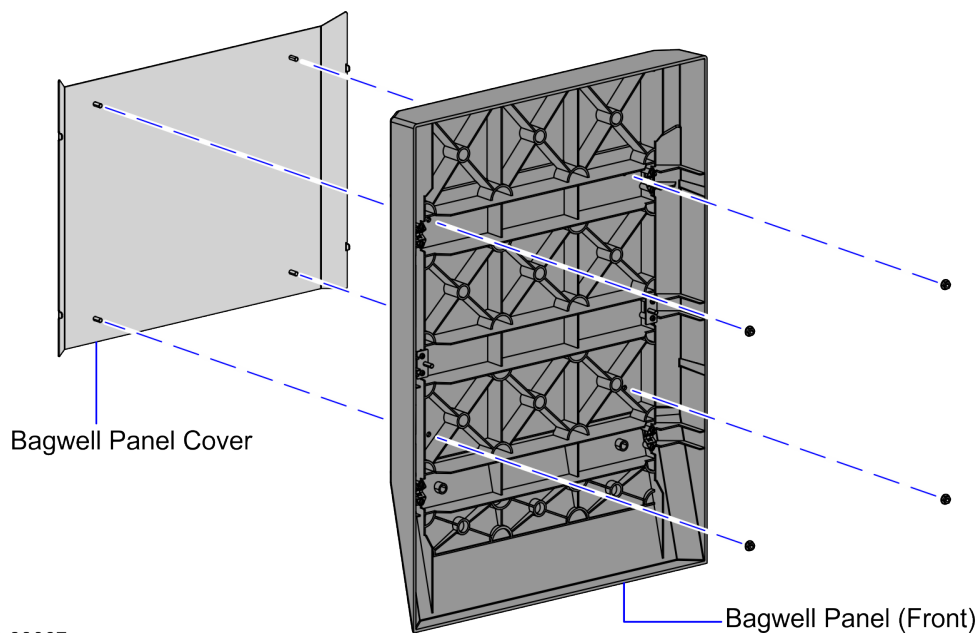
i Note

These nuts can be set aside for reuse when installing a new panel cover.



CCP-83066

2. Detach the Cover from the Bagwell Front Panel, as shown in the image below.



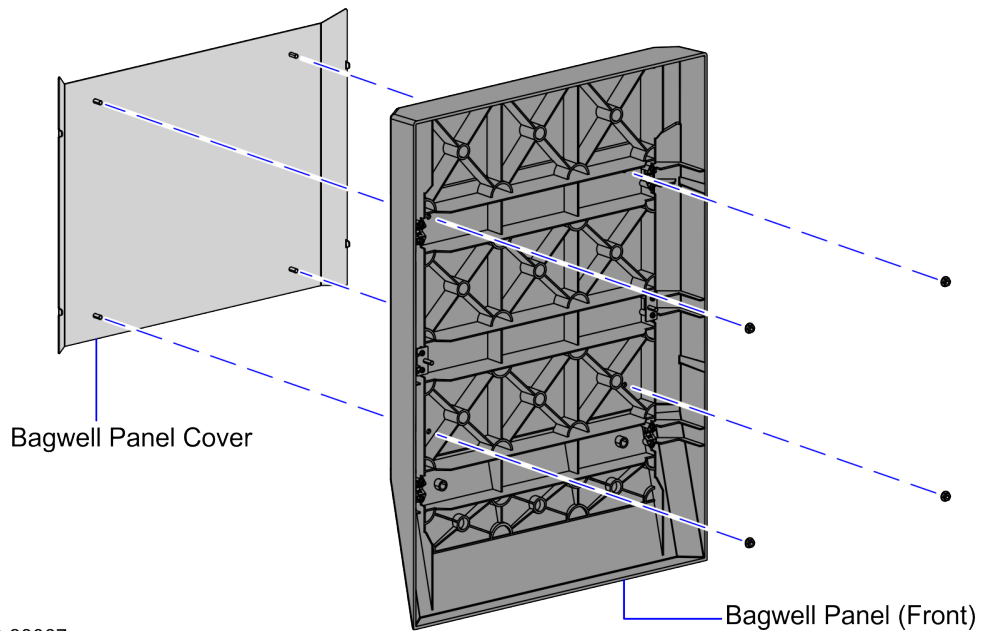
CCP-83067

Confidential and proprietary information of NCR Voyix Corporation.
Unauthorized use, reproduction and/or distribution is strictly prohibited.

Installing the Bagwell Panel (Front) Cover

To install the Bagwell Panel (Front) Cover, follow these steps:

1. Insert the Bumper Studs into the corresponding holes on the Front Panel, as shown in the image below.



2. Secure the Cover to the Bagwell Front Panel using four (4) nuts.

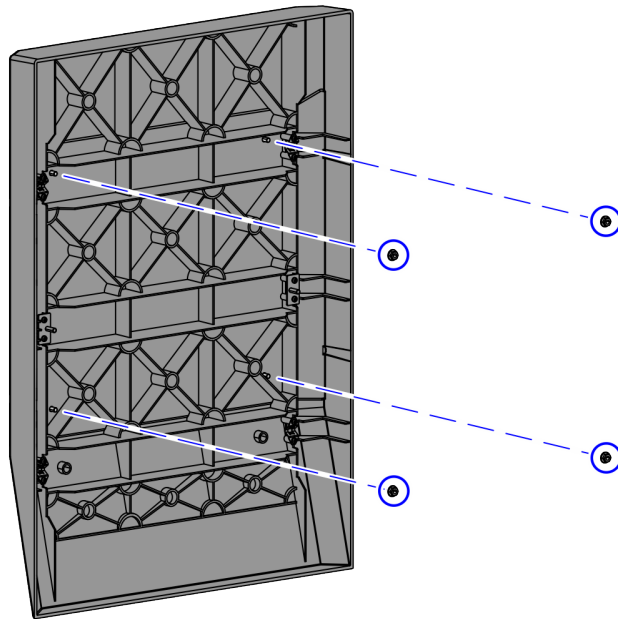


Note

Use the nuts that come with the Kit or reuse the nuts that were previously set aside.

Confidential and proprietary information of NCR Voyix Corporation.

Unauthorized use, reproduction and/or distribution is strictly prohibited.



CCP-83066

Confidential and proprietary information of NCR Voyix Corporation.
Unauthorized use, reproduction and/or distribution is strictly prohibited.