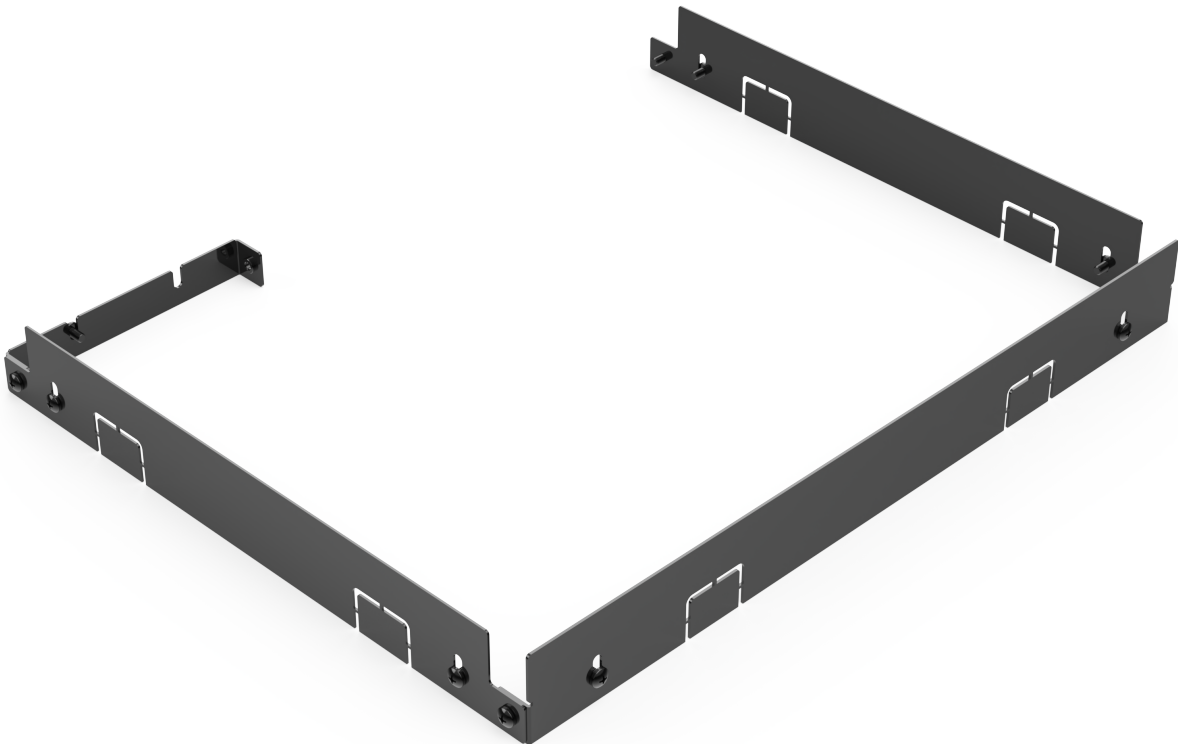




Kit Instructions

Bagwell Skirt



7371-K007

Issue A

The product described in this document is a licensed product of NCR Corporation.

NCR is a registered trademark of NCR Corporation. NCR Self-Checkout Hardware is a trademark of NCR Corporation in the United States and/or other countries. Other product names mentioned in this publication may be trademarks or registered trademarks of their respective companies and are hereby acknowledged.

The terms HDMI and HDMI High-Definition Multimedia Interface, and the HDMI Logo are trademarks or registered trademarks of HDMI Licensing LLC in the United States and other countries.

Where creation of derivative works, modifications or copies of this NCR copyrighted documentation is permitted under the terms and conditions of an agreement you have with NCR, NCR's copyright notice must be included.

It is the policy of NCR Corporation (NCR) to improve products as new technology, components, software, and firmware become available. NCR, therefore, reserves the right to change specifications without prior notice.

All features, functions, and operations described herein may not be marketed by NCR in all parts of the world. In some instances, photographs are of equipment prototypes. Therefore, before using this document, consult with your NCR representative or NCR office for information that is applicable and current.

Copyright © 2023

By NCR Voyix Corporation

Global Headquarters

864 Spring St. NW

Atlanta, GA 30308

United States

All Rights Reserved

Confidential and proprietary information of NCR Voyix Corporation.
Unauthorized use, reproduction and/or distribution is strictly prohibited.

Revision Record

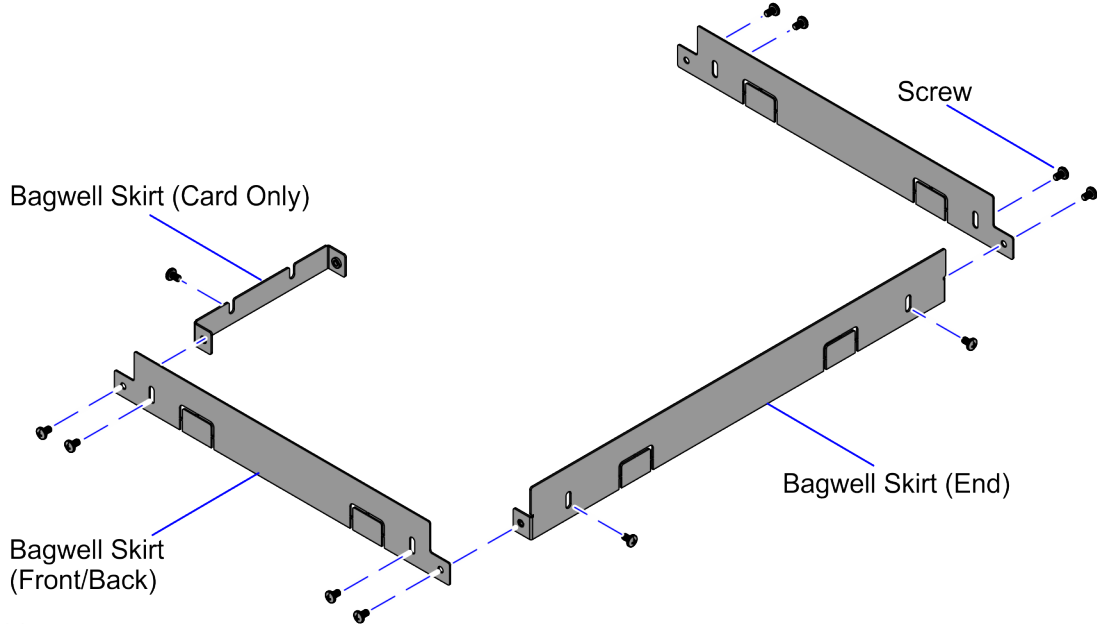
| Issue | Date | Remarks |
|-------|----------|--------------|
| A | Oct 2023 | First issue. |
| | | |

Confidential and proprietary information of NCR Voyix Corporation.
Unauthorized use, reproduction and/or distribution is strictly prohibited.

Bagwell Skirt

This publication provides instructions for installing the 7371-K007 Bagwell Skirt to the NCR Self-Checkout Hardware (7371).

Kit Contents



CCP-82829

| Part Number | Description |
|---------------|--|
| 497-0534271 | Kit - Bagwell Skirt |
| 006-8623181 | Screw – M5 X 0.8, 8Mm Length, Machine, Pan Head, Black Zinc (11 Pcs) |
| 497-0534340 | Skirt, Bagwell, Front-Back (2 Pcs) |
| 497-0534341 | Skirt, Bagwell, End |
| 497-0534343 | Skirt, Bagwell, Card Only |
| * 497-0423108 | Instructions Kit (Reference Sheet) |

* Items marked with an asterisk are not called out on the image.

Confidential and proprietary information of NCR Voyix Corporation.
 Unauthorized use, reproduction and/or distribution is strictly prohibited.

Installation Procedure

To install the 7371-K007 Bagwell Skirt kit, follow these steps:

i Note

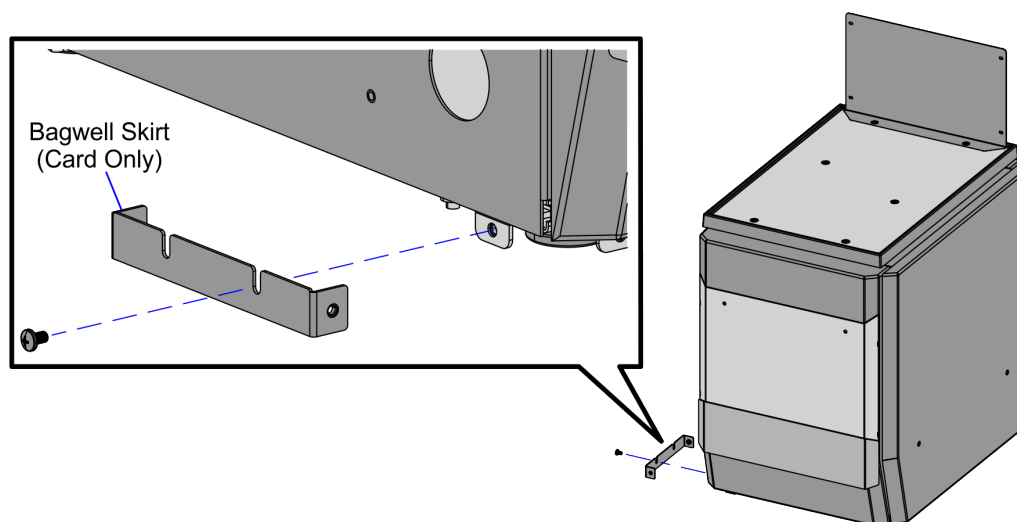
There are unique skirt panels for the Core Cabinet. For more information, refer to the 7371-K150 Core Cabinet Skirt (No-Bag) Kit Instructions.

1. On the sides of the Bagwell, do the following:

i Note

The side skirt panels of the Bagwell must be installed before the front or back skirt panels of the Bagwell.

- a. Attach the Bagwell Skirt (Card Only) to the skirt bracket by aligning the one of the open slots in the skirt panel with the corresponding screw hole in the skirt bracket.
- b. Secure the Bagwell Skirt (Card Only) using one (1) screw.



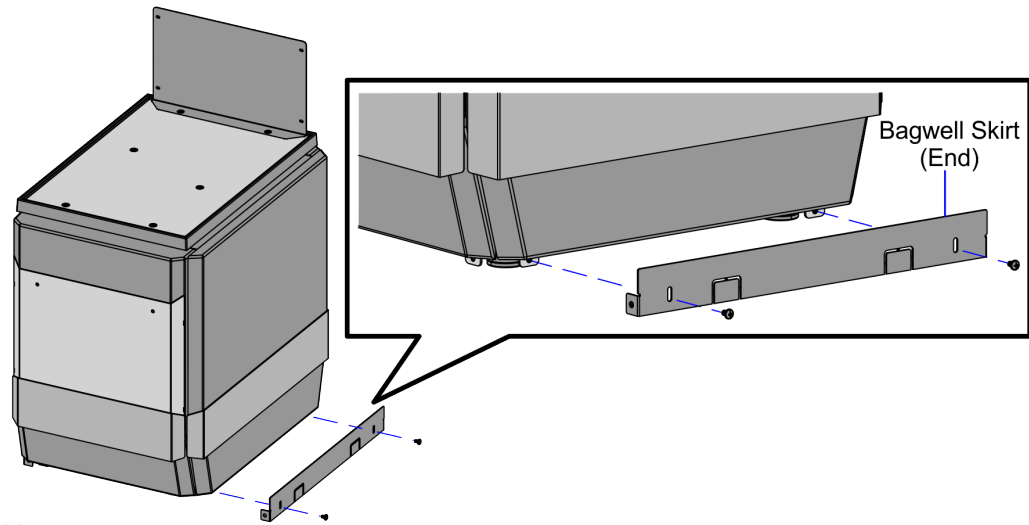
CCP-82870

- c. Adjust the Bagwell Skirt (Card Only) so that it is flush with the floor.
- d. Tighten the screw to secure the Bagwell Skirt (Card Only) in place.

Confidential and proprietary information of NCR Voyix Corporation.

Unauthorized use, reproduction and/or distribution is strictly prohibited.

- e. Attach the Bagwell Skirt (End) to the skirt brackets by aligning the open slots in the skirt panel with the screw holes in the skirt brackets.
- f. Secure the Bagwell Skirt (End) using two (2) screws.



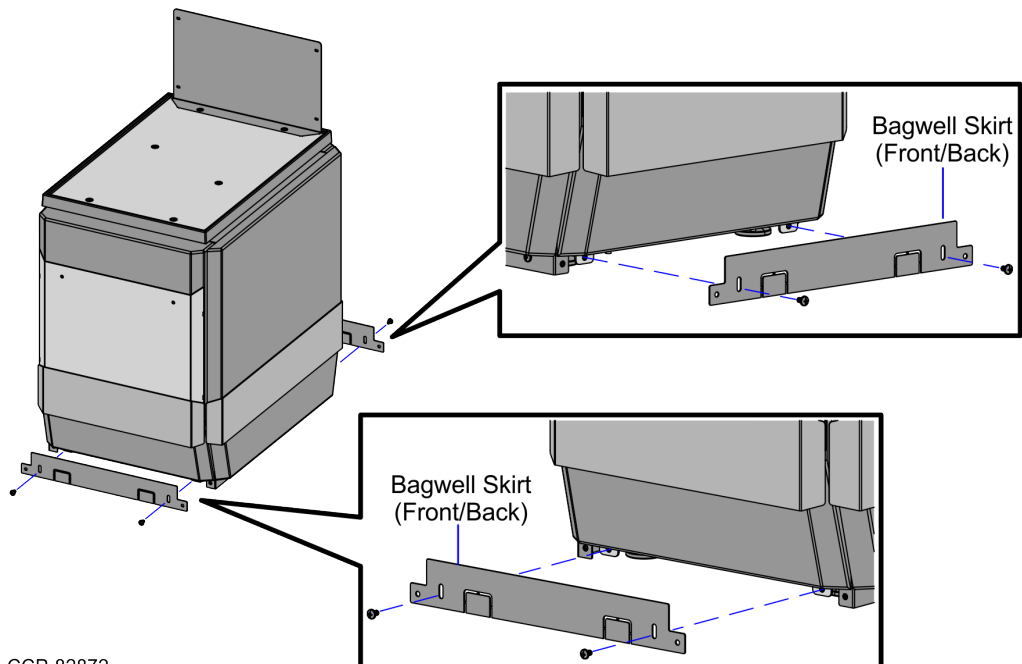
- g. Adjust the Bagwell Skirt (End) so that it is flush with the floor.
- h. Tighten the screws to secure the Bagwell Skirt (End) in place.

2. On the front and back of the Bagwell, do the following:

i Note

The front and back skirt panels of the Bagwell must be installed after the side skirt panels of the Bagwell.

- a. Attach each Bagwell Skirt (Front/Back) to the skirt brackets by aligning the open slots in the skirt panels with the screw holes in the skirt bracket.
- b. Secure each Bagwell Skirt (Front/Back) using two (2) screws.



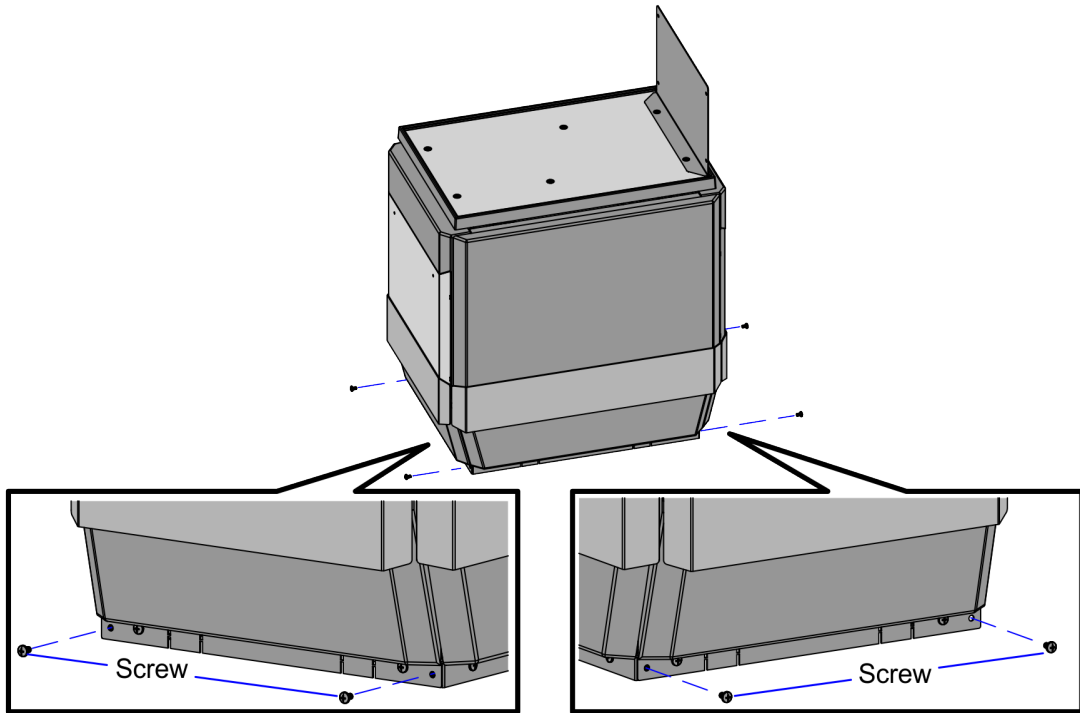
CCP-82872

- c. Adjust each Bagwell Skirt (Front/Back) so that it is flush with the floor.
- d. Tighten the screws to secure each Bagwell Skirt (Front/Back) in place.

Confidential and proprietary information of NCR Voyix Corporation.

Unauthorized use, reproduction and/or distribution is strictly prohibited.

- Secure all Bagwell Skirts together using two (2) screws each on the front and back, as shown in the image below.



CCP-82873