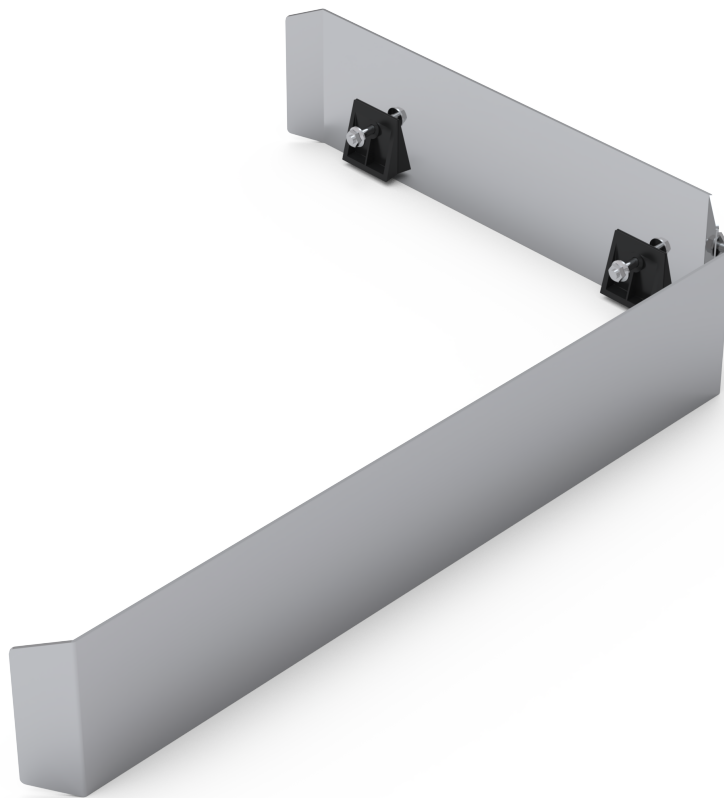




Kit Instructions

Bagwell Bumper (Front and End)



7371-K006

Issue A

The product described in this document is a licensed product of NCR Corporation.

NCR is a registered trademark of NCR Corporation. NCR Self-Checkout Hardware is a trademark of NCR Corporation in the United States and/or other countries. Other product names mentioned in this publication may be trademarks or registered trademarks of their respective companies and are hereby acknowledged.

The terms HDMI and HDMI High-Definition Multimedia Interface, and the HDMI Logo are trademarks or registered trademarks of HDMI Licensing LLC in the United States and other countries.

Where creation of derivative works, modifications or copies of this NCR copyrighted documentation is permitted under the terms and conditions of an agreement you have with NCR, NCR's copyright notice must be included.

It is the policy of NCR Corporation (NCR) to improve products as new technology, components, software, and firmware become available. NCR, therefore, reserves the right to change specifications without prior notice.

All features, functions, and operations described herein may not be marketed by NCR in all parts of the world. In some instances, photographs are of equipment prototypes. Therefore, before using this document, consult with your NCR representative or NCR office for information that is applicable and current.

Copyright © 2023

By NCR Voyix Corporation

Global Headquarters

864 Spring St. NW

Atlanta, GA 30308

United States

All Rights Reserved

Confidential and proprietary information of NCR Voyix Corporation.
Unauthorized use, reproduction and/or distribution is strictly prohibited.

Revision Record

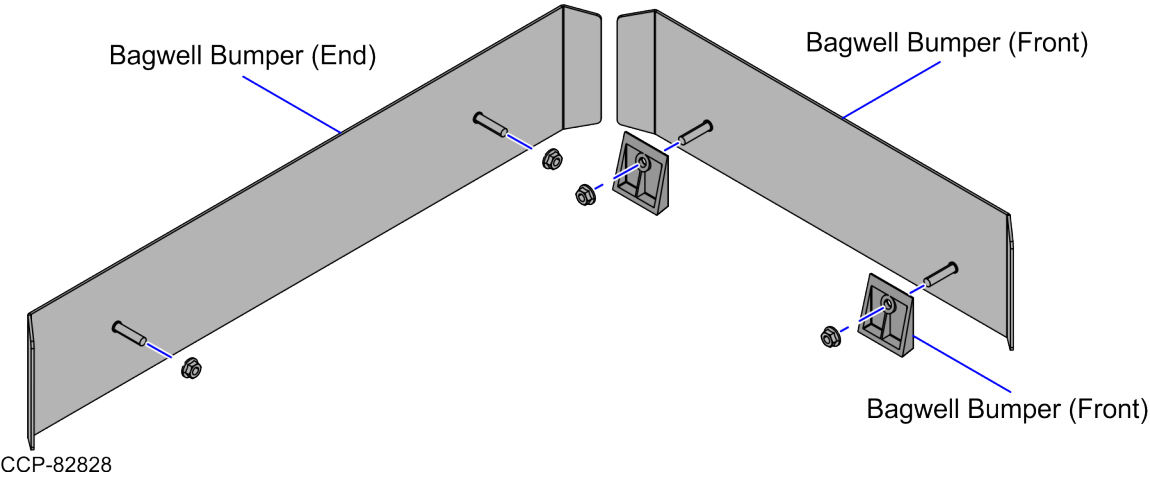
Issue	Date	Remarks
A	Oct 2023	First issue.

Confidential and proprietary information of NCR Voyix Corporation.
Unauthorized use, reproduction and/or distribution is strictly prohibited.

Bagwell Bumper (Front and End)

This publication provides procedures for installing the 7371-K006 Bagwell Bumper (Front and End) to the Bagwell.

Kit Contents



Part Number	Description
497-0534335	7371-K006 - Bagwell Bumper (Front and End)
009-0007088	Serrated Nut - Self Locking (M6, 6.0) (4 Pcs)
497-0534269	Bagwell, Bumper
497-0534270	Bumper , Spacer (2 Pcs)
497-0534333	Bagwell, Bumper, End
* 497-0423108	Instructions Kit (Reference Sheet)

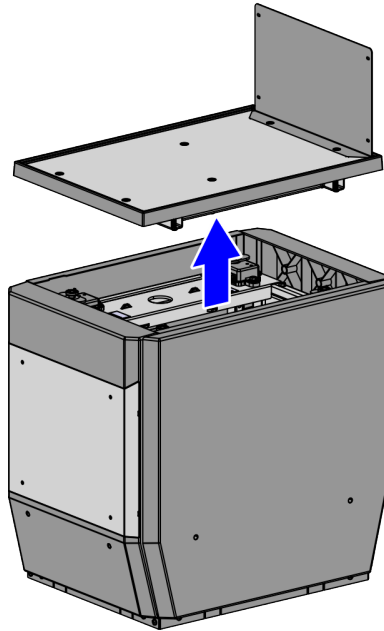
* Items marked with an asterisk are not called out on the image.

Confidential and proprietary information of NCR Voyix Corporation.
 Unauthorized use, reproduction and/or distribution is strictly prohibited.

Installation Procedure

To install the 7371-K006 Bagwell Bumper (Front and End), follow these steps:

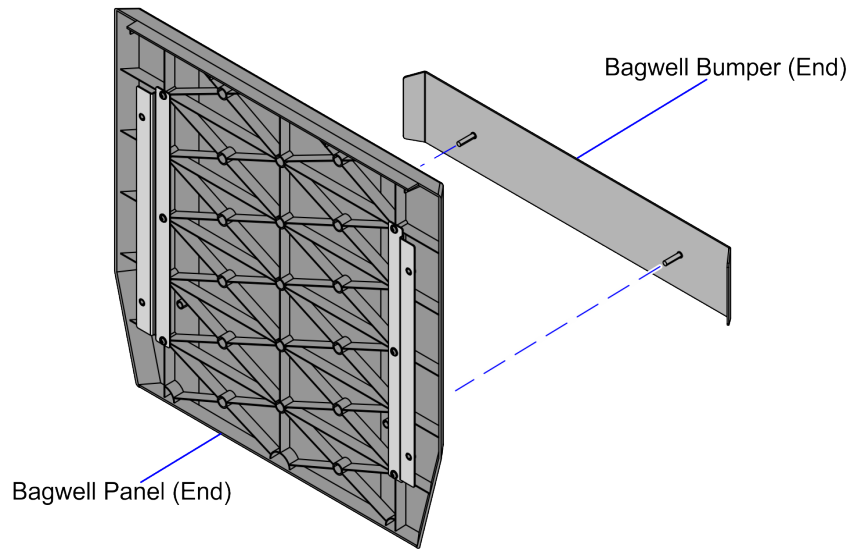
1. Lift and remove the Scale Tray from the Bagwell.



CCP-82967

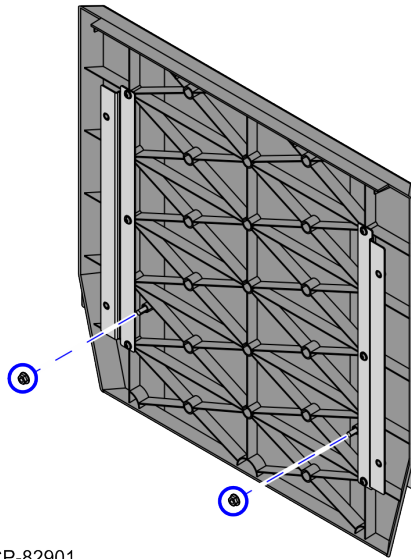
2. Remove the Bagwell Panels. For more information, refer to the following:
 - a. [Removing the Bagwell Panels \(Front and Back\)](#)
 - b. [Removing the Bagwell Panel \(Fascia End\)](#)

3. Install the Bagwell Bumper (End) to the Bagwell End Panel by doing the following:
 - a. Insert the Bumper Studs into the corresponding holes on the End Panel, as shown in the image below.



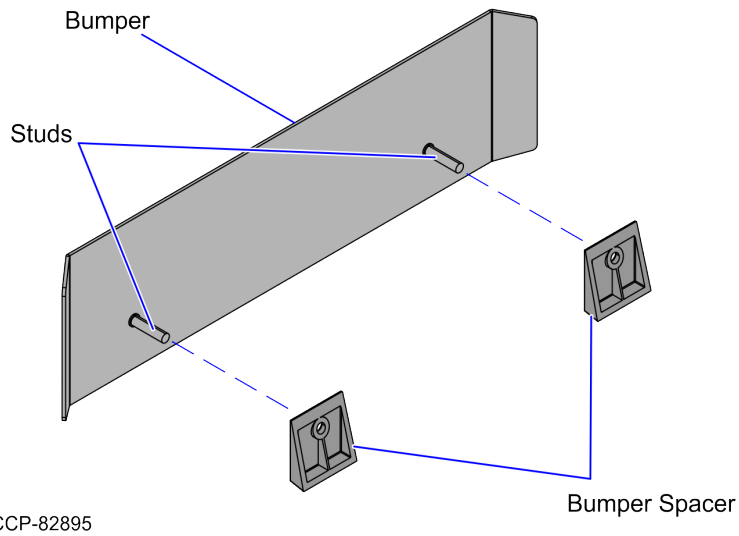
CCP-82900

- b. Secure the Bumper to the Bagwell End Panel using two (2) nuts.



CCP-82901

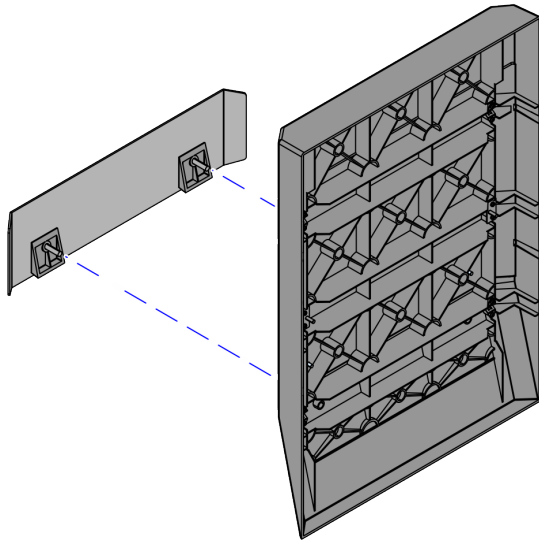
4. Install the Bagwell Bumper (Front/Back) to the Bagwell Panel (Front/Back) by doing the following:
- Attach the Bumper Spacers to each Bumper stud.



CCP-82895

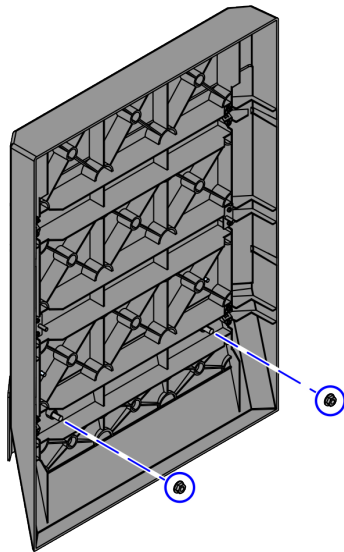
Confidential and proprietary information of NCR Voyix Corporation.
Unauthorized use, reproduction and/or distribution is strictly prohibited.

- b. Insert the Bumper Studs with Spacers into the corresponding holes on the Bagwell Panel (Front/Back), as shown in the image below.



CCP-82896

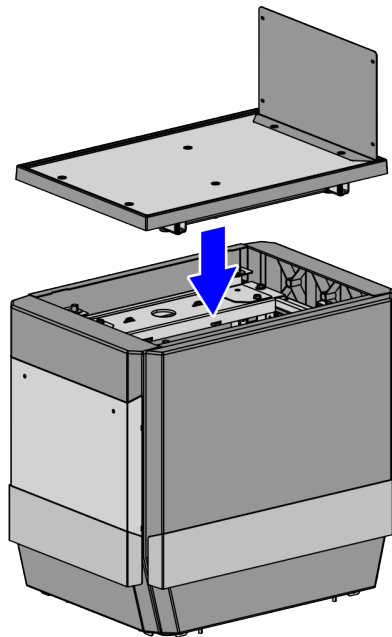
- c. Secure the Bumper assembly to the Bagwell Panel (Front/Back) using two (2) nuts.



CCP-82897

Confidential and proprietary information of NCR Voyix Corporation.
Unauthorized use, reproduction and/or distribution is strictly prohibited.

5. Install the Bagwell Panels. For more information, refer to the following:
 - a. [Installing the Bagwell Panel \(Fascia End\)](#)
 - b. [Installing the Bagwell Panel \(Front and Back\)](#)
6. Place the Scale Tray onto the Bagwell.



CCP-82974

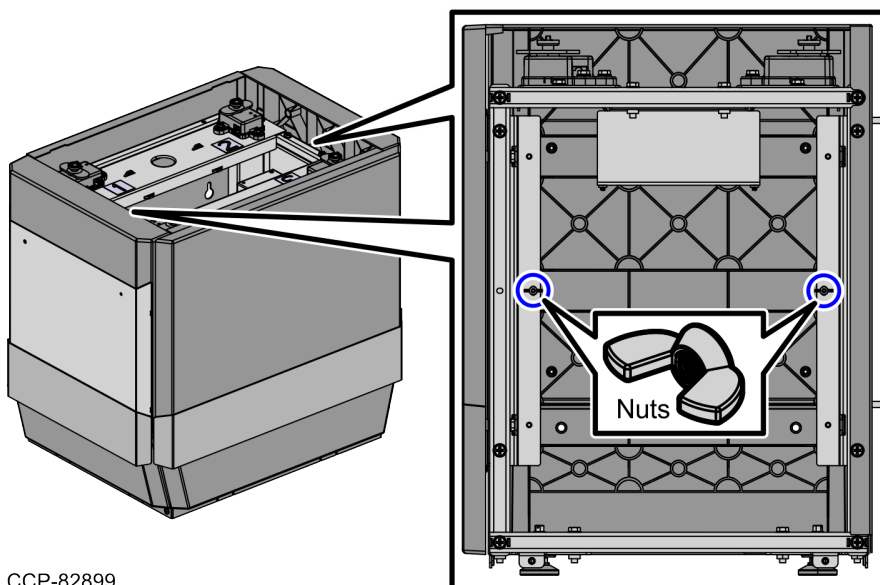
Removing the Bagwell Panels (Front and Back)

To remove the Front and Back Panels from the Bagwell Frame, follow these steps:

i Note
If the Fascia End Panel needs to be removed, ensure that both the Front and Back Panels are removed.

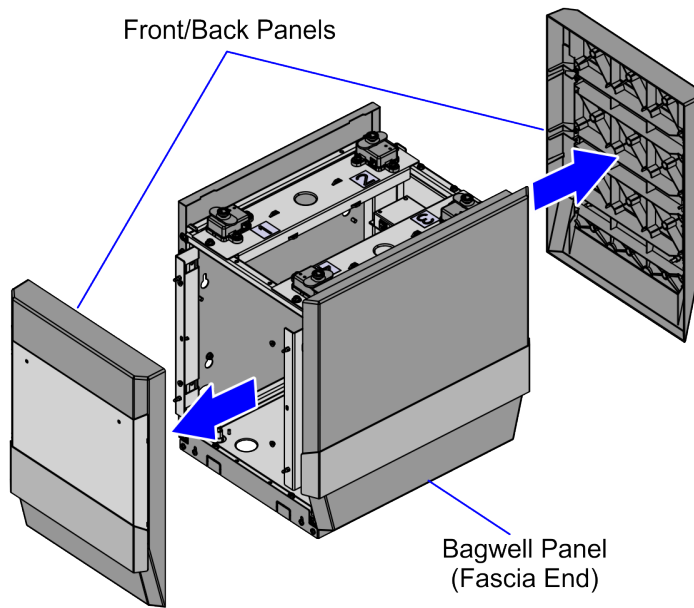
i Note
This procedure uses images of the Bagwell only for reference.

1. Remove four (4) wing nuts from inside the Bagwell to detach the Front and Back Panels, as shown in the image below.



CCP-82899

2. Pull the Front and Back Panels from the Bagwell Frame.



CCP-82891

Confidential and proprietary information of NCR Voyix Corporation.
Unauthorized use, reproduction and/or distribution is strictly prohibited.

Removing the Bagwell Panel (Fascia End)

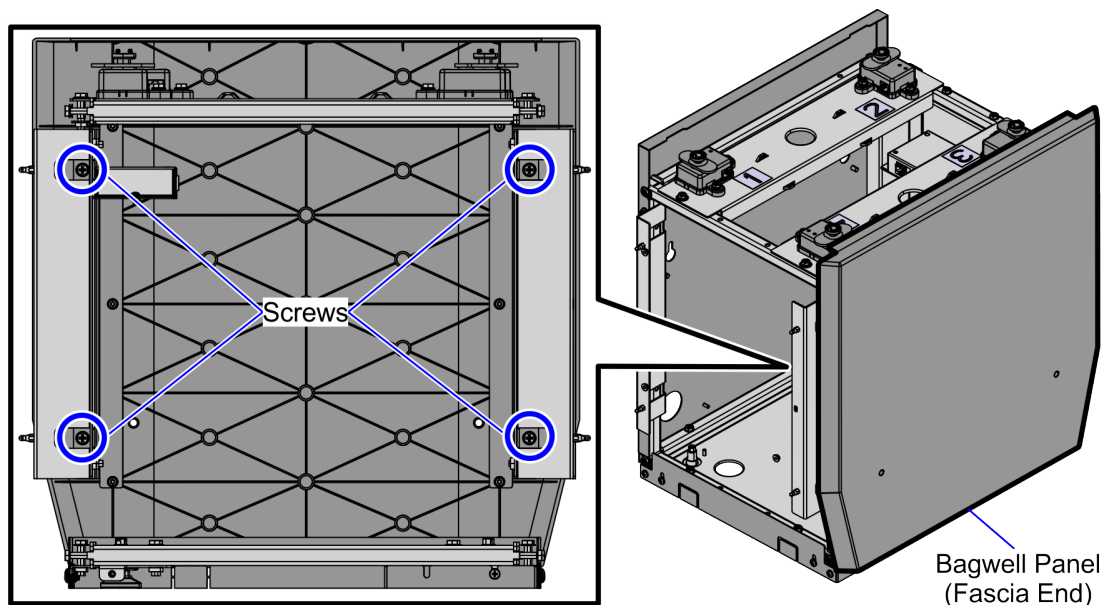
To remove the Fascia End Panel from the Bagwell Frame, follow these steps:

i Note
This procedure uses images of the Bagwell only for reference.

1. Remove four (4) screws from inside the Bagwell to detach the Fascia End Panel, as shown in the image below.

! Important
Use a 10 mm socket to remove these screws.

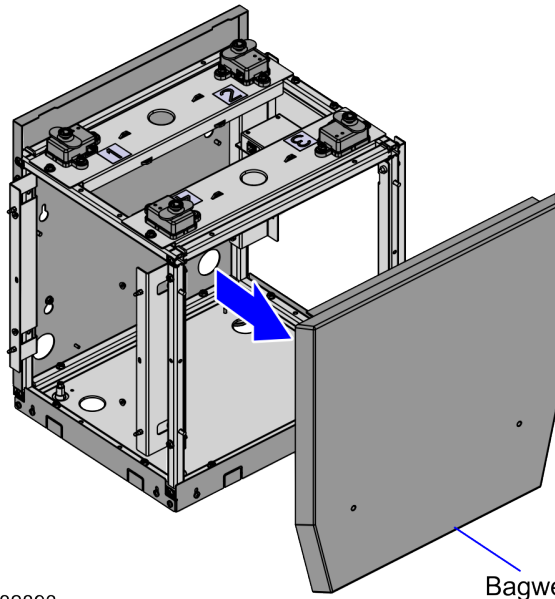
i Note
The Fascia End Panel of the Bagwell must be removed after removing the Front and Back Panels of the Bagwell.



CCP-82902

Confidential and proprietary information of NCR Voyix Corporation.
Unauthorized use, reproduction and/or distribution is strictly prohibited.

2. Pull the Fascia End Panel from the Bagwell Frame.



CCP-82893

Bagwell Panel (Fascia End)

Confidential and proprietary information of NCR Voyix Corporation.
Unauthorized use, reproduction and/or distribution is strictly prohibited.

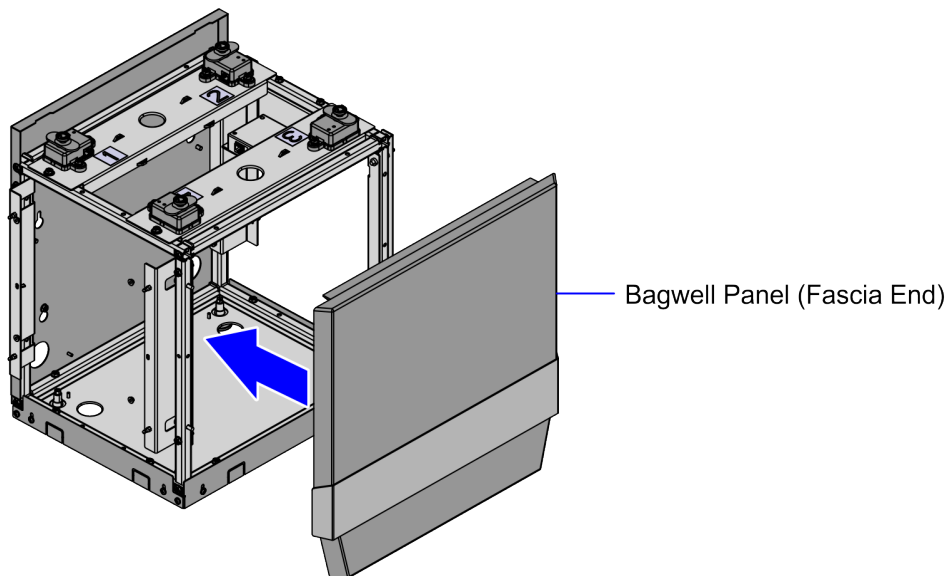
Installing the Bagwell Panel (Fascia End)

To install the Fascia End Panel on the Bagwell Frame, follow these steps:

i Note
This procedure uses images of the Bagwell only for reference.

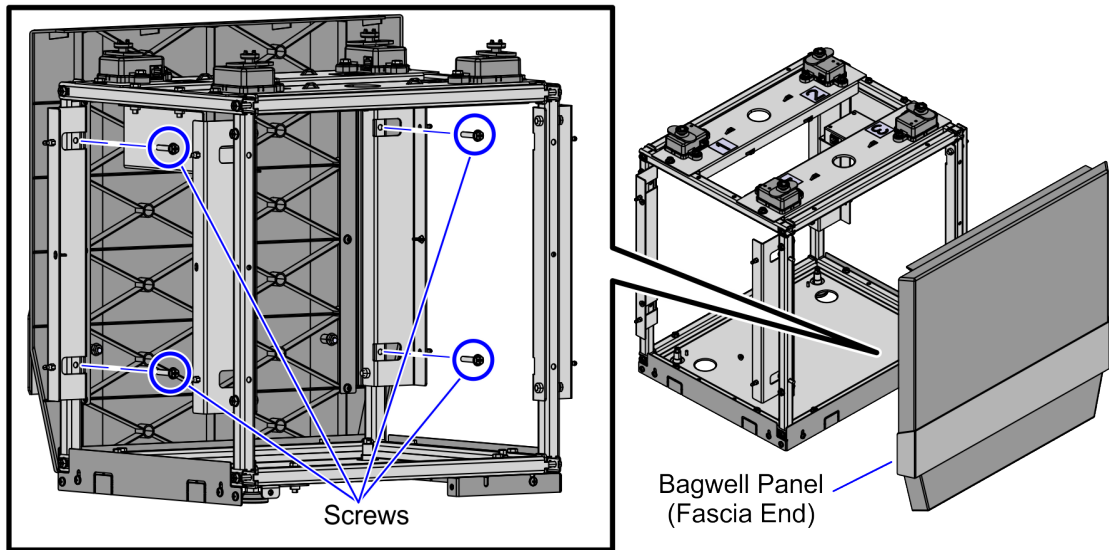
1. Push the Fascia End Panel onto the Bagwell Frame.

i Note
The Fascia End Panel of the Bagwell must be installed before the Front and Back Panels of the Bagwell.



CCP-82904

- Secure the Fascia End Panel to the Bagwell Frame using four (4) screws, as shown in the image below.



CCP-82903

Confidential and proprietary information of NCR Voyix Corporation.
Unauthorized use, reproduction and/or distribution is strictly prohibited.

Installing the Bagwell Panel (Front and Back)

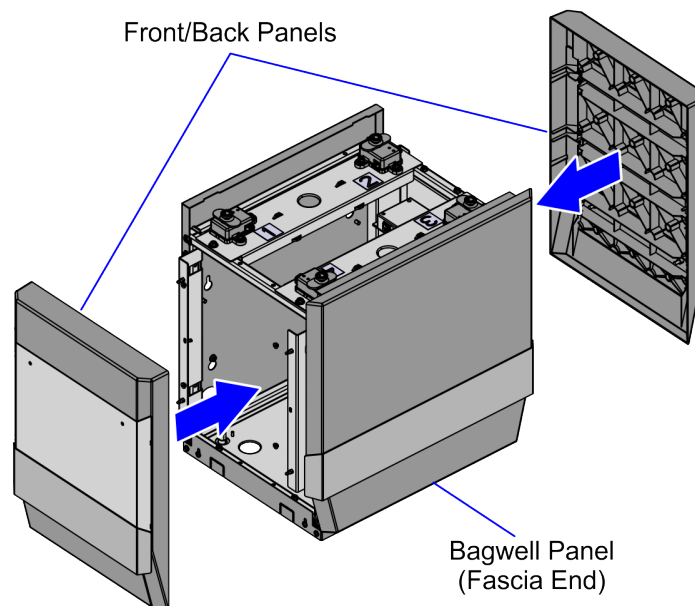
To install the Front and Back Panels to the Bagwell Frame, follow these steps:

i Note
Both the Front and Back Panels are removed if the End Panel needs to be removed.

i Note
This procedure uses images of the Bagwell only for reference.

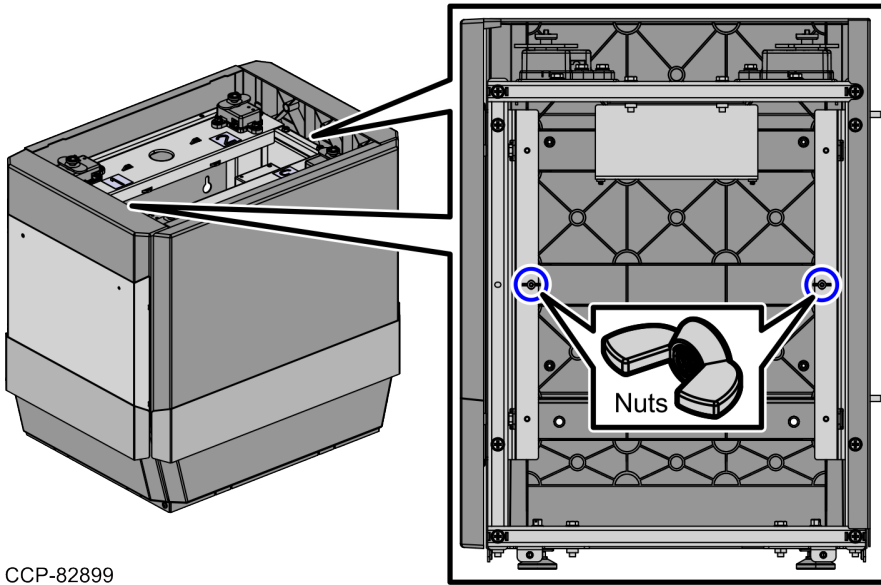
1. Push the Front Panel onto the Bagwell Frame until each panel clicks and locks into place.

i Note
The Front and Back Panels of the Bagwell must be installed after the End Panel.



CCP-82892

- Secure each Panel to the Bagwell Frame using two (2) wing nuts from inside the Bagwell, as shown in the image below.



CCP-82899

Confidential and proprietary information of NCR Voyix Corporation.
Unauthorized use, reproduction and/or distribution is strictly prohibited.