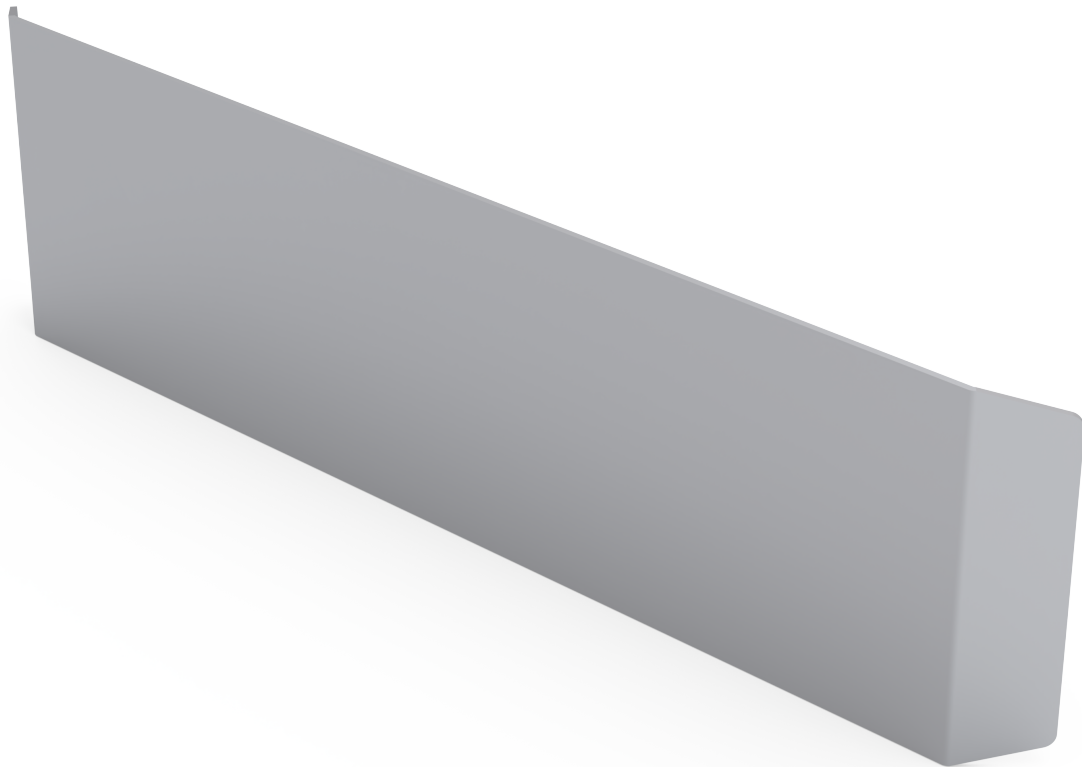




Kit Instructions

Bagwell Bumper



7371-K005

Issue A

The product described in this document is a licensed product of NCR Corporation.

NCR is a registered trademark of NCR Corporation. NCR Self-Checkout Hardware is a trademark of NCR Corporation in the United States and/or other countries. Other product names mentioned in this publication may be trademarks or registered trademarks of their respective companies and are hereby acknowledged.

The terms HDMI and HDMI High-Definition Multimedia Interface, and the HDMI Logo are trademarks or registered trademarks of HDMI Licensing LLC in the United States and other countries.

Where creation of derivative works, modifications or copies of this NCR copyrighted documentation is permitted under the terms and conditions of an agreement you have with NCR, NCR's copyright notice must be included.

It is the policy of NCR Corporation (NCR) to improve products as new technology, components, software, and firmware become available. NCR, therefore, reserves the right to change specifications without prior notice.

All features, functions, and operations described herein may not be marketed by NCR in all parts of the world. In some instances, photographs are of equipment prototypes. Therefore, before using this document, consult with your NCR representative or NCR office for information that is applicable and current.

Copyright © 2023

By NCR Voyix Corporation

Global Headquarters

864 Spring St. NW

Atlanta, GA 30308

United States

All Rights Reserved

Confidential and proprietary information of NCR Voyix Corporation.
Unauthorized use, reproduction and/or distribution is strictly prohibited.

Revision Record

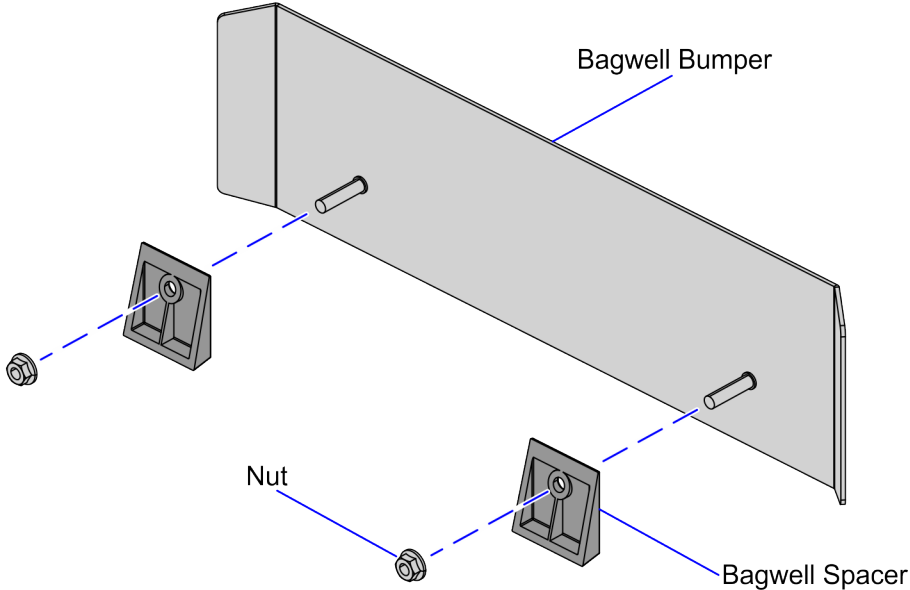
Issue	Date	Remarks
A	Oct 2023	First issue.

Confidential and proprietary information of NCR Voyix Corporation.
Unauthorized use, reproduction and/or distribution is strictly prohibited.

Bagwell Bumper

This publication provides procedures for installing the 7371-K005 Bagwell Bumper to the Bagwell.

Kit Contents



CCP-82827

Part Number	Description
497-0534268	7371-K005 - Bagwell Bumper
497-0534270	Bumper , Spacer (2 Pcs)
497-0534269	Bagwell, Bumper
009-0007088	Serrated Nut-Self Locking (Hex,M6,6.0) (2 Pcs)
* 497-0423108	Instructions Kit (Reference Sheet)

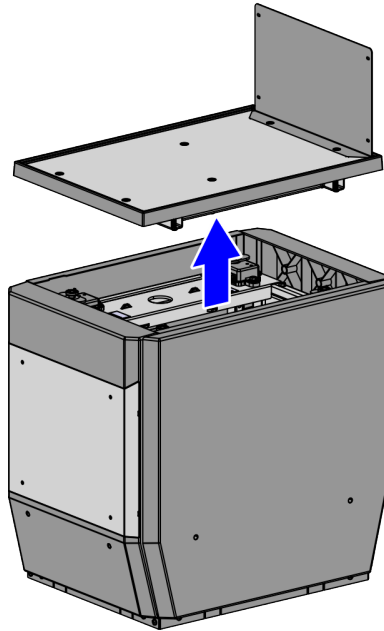
* Items marked with an asterisk are not called out on the image.

Confidential and proprietary information of NCR Voyix Corporation.
 Unauthorized use, reproduction and/or distribution is strictly prohibited.

Installation Procedure

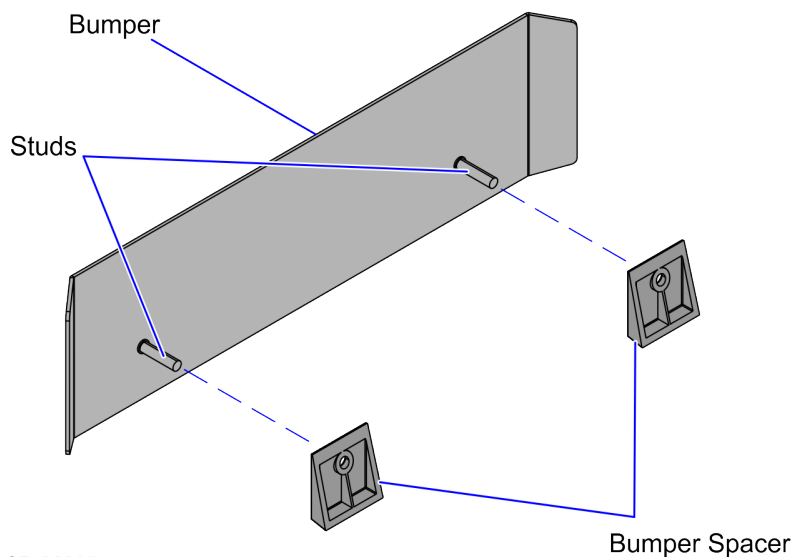
To install the 7371-K005 Bagwell Bumper, follow these steps:

1. Lift and remove the Scale Tray from the Bagwell.



CCP-82967

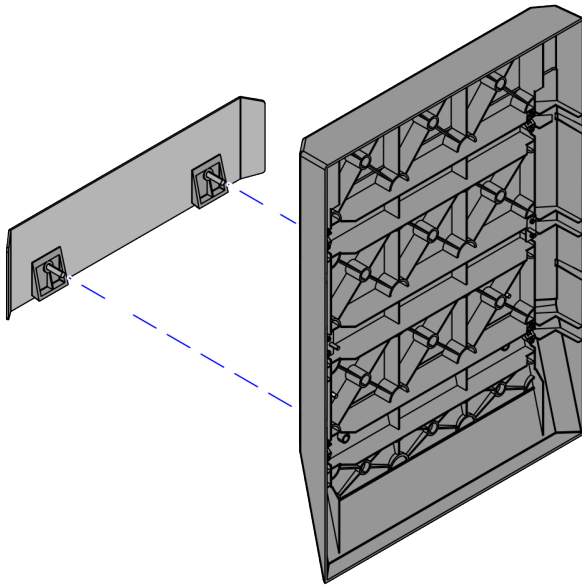
2. Remove the Front Panel from the Bagwell Frame. For more information, refer to [Removing the Bagwell Front Panel](#).
3. Attach the Bumper Spacers to each Bumper stud.



CCP-82895

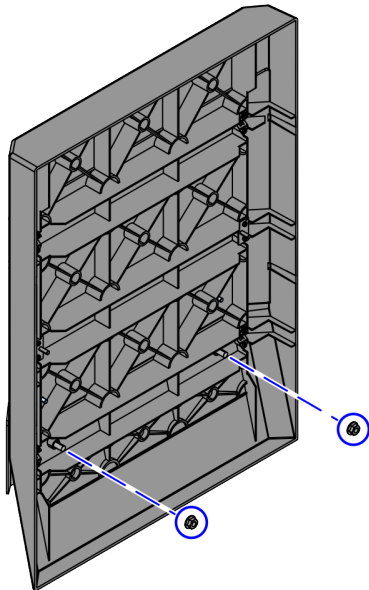
Confidential and proprietary information of NCR Voyix Corporation.
Unauthorized use, reproduction and/or distribution is strictly prohibited.

4. Insert the Bumper Studs with Spacers into the corresponding holes on the Bagwell Front Panel, as shown in the image below.



CCP-82896

5. Secure the Bumper assembly to the Bagwell Front Panel using two (2) nuts.

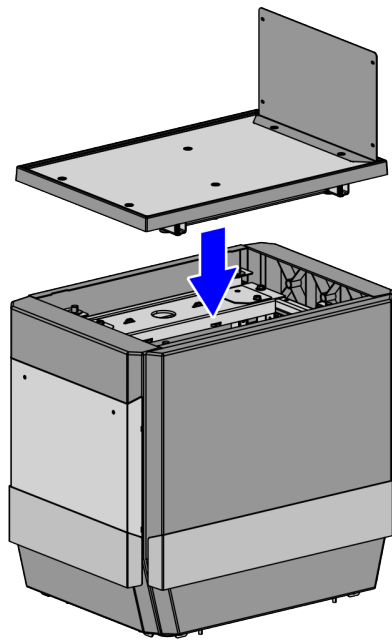


CCP-82897

6. Install the Front Panel to the Bagwell Frame. For more information, refer to [Installing the Bagwell Front Panel](#).

Confidential and proprietary information of NCR Voyix Corporation.
Unauthorized use, reproduction and/or distribution is strictly prohibited.

7. Place the Scale Tray onto the Bagwell.



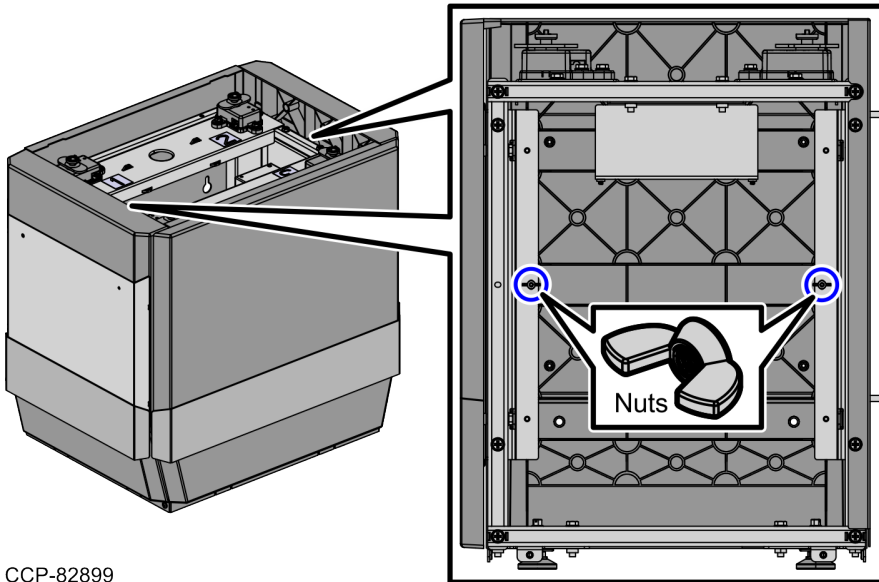
CCP-82974

Confidential and proprietary information of NCR Voyix Corporation.
Unauthorized use, reproduction and/or distribution is strictly prohibited.

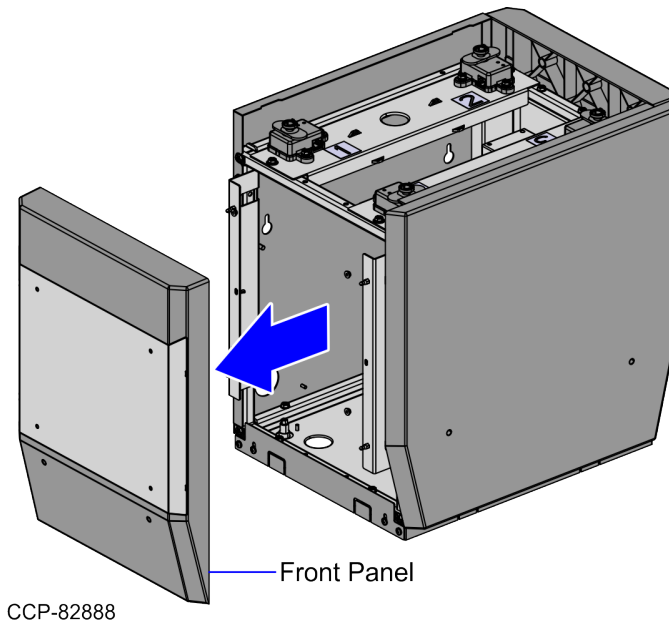
Removing the Bagwell Front Panel

To remove the Front Panel from the Bagwell, follow these steps:

1. Remove two (2) wing nuts from inside the Bagwell to detach the Front Panel, as shown in the image below.



2. Pull the Front Panel from the Bagwell Frame.

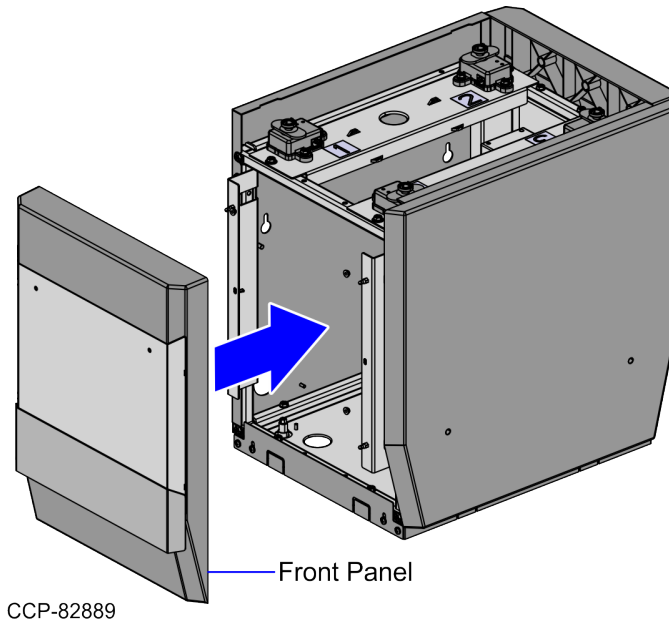


Confidential and proprietary information of NCR Voyix Corporation.
Unauthorized use, reproduction and/or distribution is strictly prohibited.

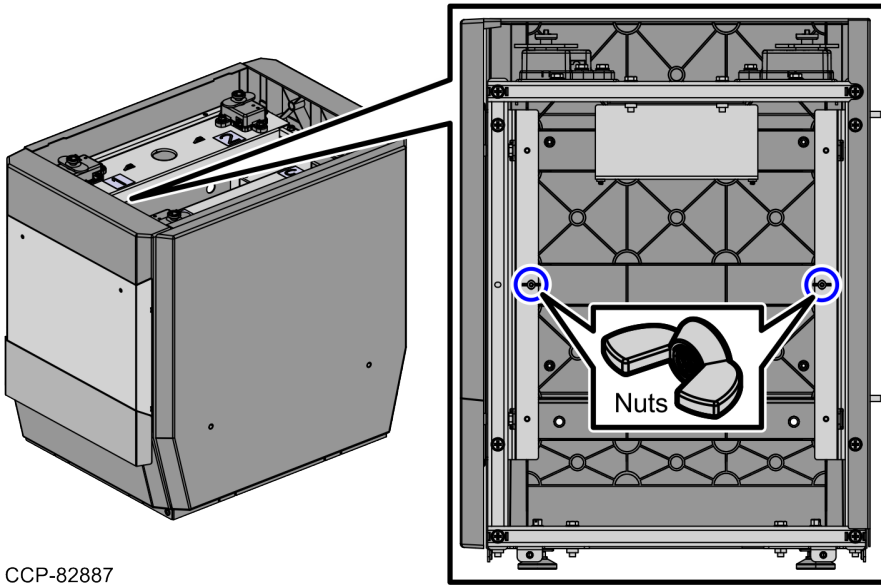
Installing the Bagwell Front Panel

To install the Front Panel on the Bagwell, follow these steps:

1. Push the Front Panel onto the Bagwell Frame until it clicks and locks into place.



2. Secure the Front Panel from inside the Bagwell Frame using two (2) wing nuts, as shown in the image below.



CCP-82887

Confidential and proprietary information of NCR Voyix Corporation.
Unauthorized use, reproduction and/or distribution is strictly prohibited.