



# Kit Instructions

## Bagwell Fence



7371-K004

Issue A

The product described in this document is a licensed product of NCR Corporation.

NCR is a registered trademark of NCR Corporation. NCR Self-Checkout Hardware is a trademark of NCR Corporation in the United States and/or other countries. Other product names mentioned in this publication may be trademarks or registered trademarks of their respective companies and are hereby acknowledged.

The terms HDMI and HDMI High-Definition Multimedia Interface, and the HDMI Logo are trademarks or registered trademarks of HDMI Licensing LLC in the United States and other countries.

Where creation of derivative works, modifications or copies of this NCR copyrighted documentation is permitted under the terms and conditions of an agreement you have with NCR, NCR's copyright notice must be included.

It is the policy of NCR Corporation (NCR) to improve products as new technology, components, software, and firmware become available. NCR, therefore, reserves the right to change specifications without prior notice.

All features, functions, and operations described herein may not be marketed by NCR in all parts of the world. In some instances, photographs are of equipment prototypes. Therefore, before using this document, consult with your NCR representative or NCR office for information that is applicable and current.

Copyright © 2023

By NCR Voyix Corporation

Global Headquarters

864 Spring St. NW

Atlanta, GA 30308

United States

All Rights Reserved

Confidential and proprietary information of NCR Voyix Corporation.  
Unauthorized use, reproduction and/or distribution is strictly prohibited.

# Revision Record

---

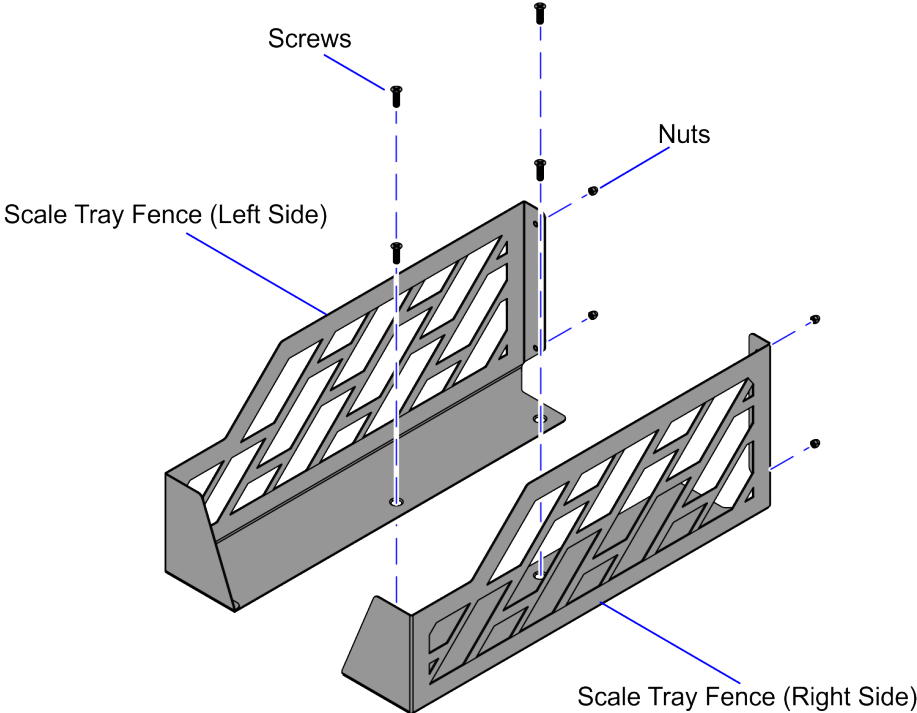
Issue	Date	Remarks
A	Oct 2023	First issue.

Confidential and proprietary information of NCR Voyix Corporation.  
Unauthorized use, reproduction and/or distribution is strictly prohibited.

# Bagwell Fence

This publication provides instructions for installing the 7371-K004 Bagwell Fence to the NCR Self-Checkout Hardware (7371) unit.

## Kit Contents



CCP-82826

Part Number	Description
497-0533973	7371-K004 Bagwell Fence
497-0532757	Fence, Scale Tray, Left Side
497-0532758	Fence, Scale Tray, Right Side
007-7022141	Screw Ma Flat Poz M6 (4 Pcs)
006-8624472	Acorn Nut – M4 X 0.7Mm, 7Mm Width, 8Mm Height - Black Oxide Finish (4 Pcs)
* 497-0423108	Instructions Kit (Reference Sheet)

\* Items marked with an asterisk are not called out on the image.

Confidential and proprietary information of NCR Voyix Corporation.  
 Unauthorized use, reproduction and/or distribution is strictly prohibited.

# Installation Procedure

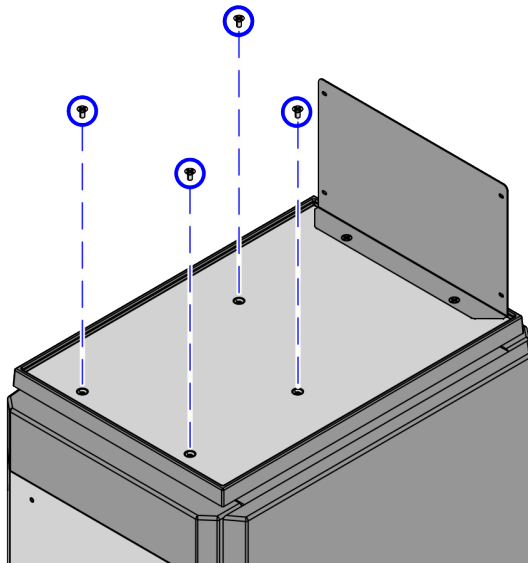
To install the 7371-K004 Bagwell Fence, follow these steps:

1. Remove four (4) screws from the Scale Tray.

**i Note**

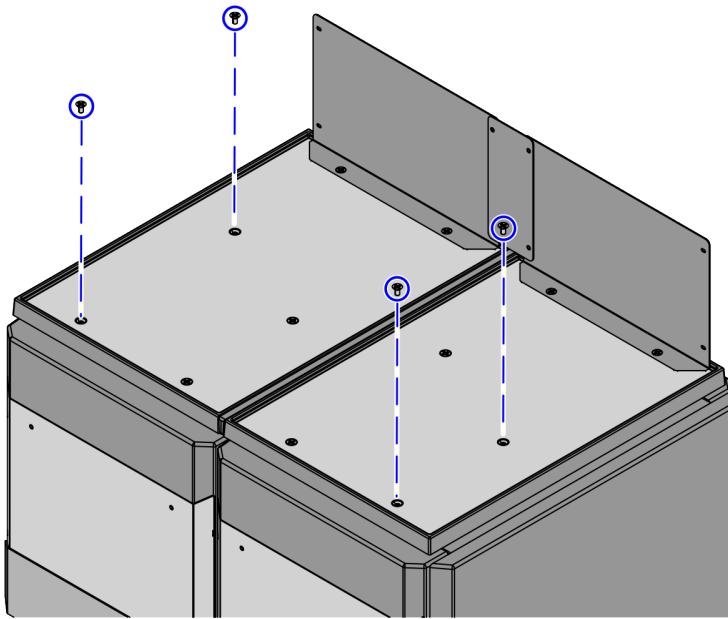
Set aside the four (4) screws for reinstallation. If the screws do not exist or if they are worn out, use the screws that come with the Bagwell Fence.

## 1-Bag Bagwell



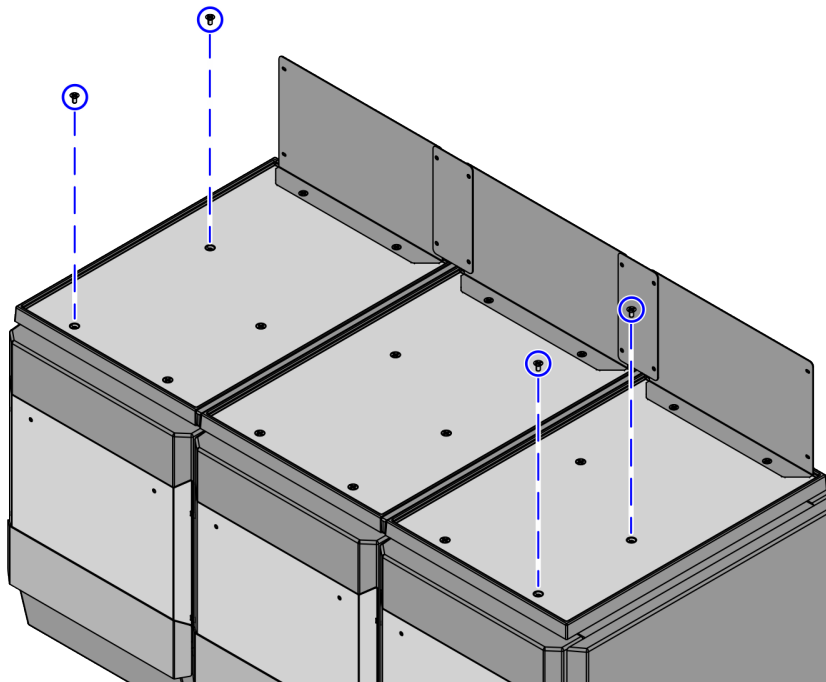
CCP-82878

## 2-Bag Bagwell



CCP-82994

## 3-Bag Bagwell

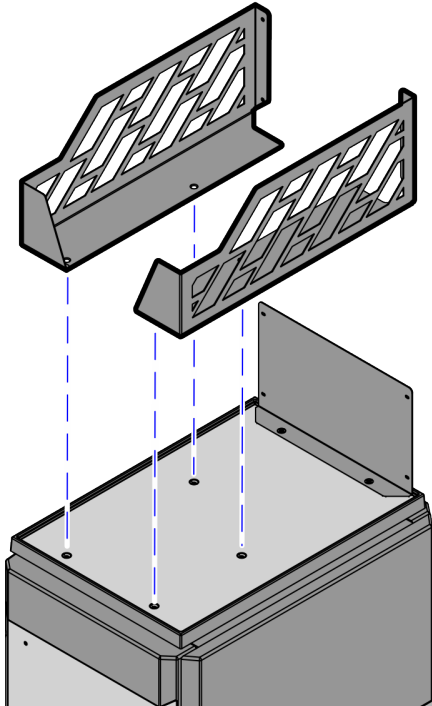


CCP-82995

Confidential and proprietary information of NCR Voyix Corporation.  
Unauthorized use, reproduction and/or distribution is strictly prohibited.

2. Align the screw slots of each Fence with the corresponding mounting holes on the Scale Tray.

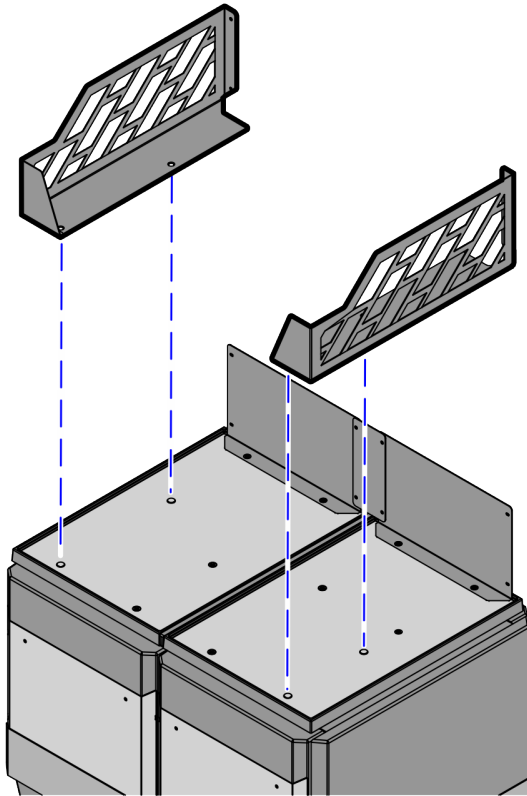
## 1-Bag Bagwell



CCP-82879

Confidential and proprietary information of NCR Voyix Corporation.  
Unauthorized use, reproduction and/or distribution is strictly prohibited.

## 2-Bag Bagwell

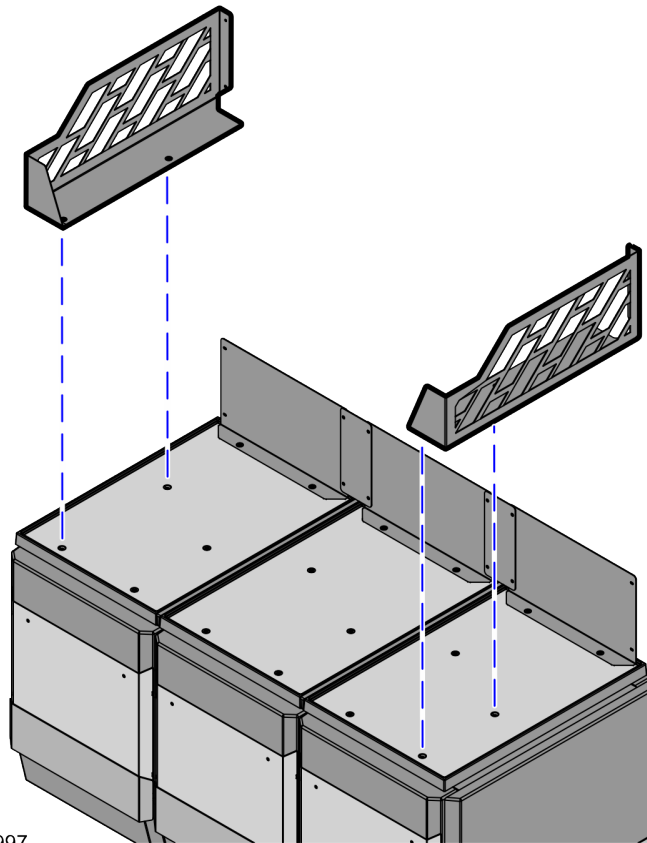


CCP-82996

Confidential and proprietary information of NCR Voyix Corporation.  
Unauthorized use, reproduction and/or distribution is strictly prohibited.



## 3-Bag Bagwell



CCP-82997

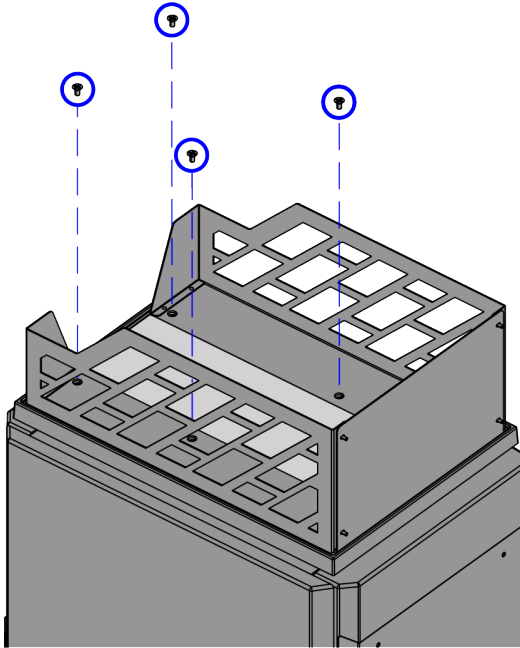
Confidential and proprietary information of NCR Voyix Corporation.  
Unauthorized use, reproduction and/or distribution is strictly prohibited.

- Secure each Fence on the Scale Tray using four (4) screws.

**i Note**

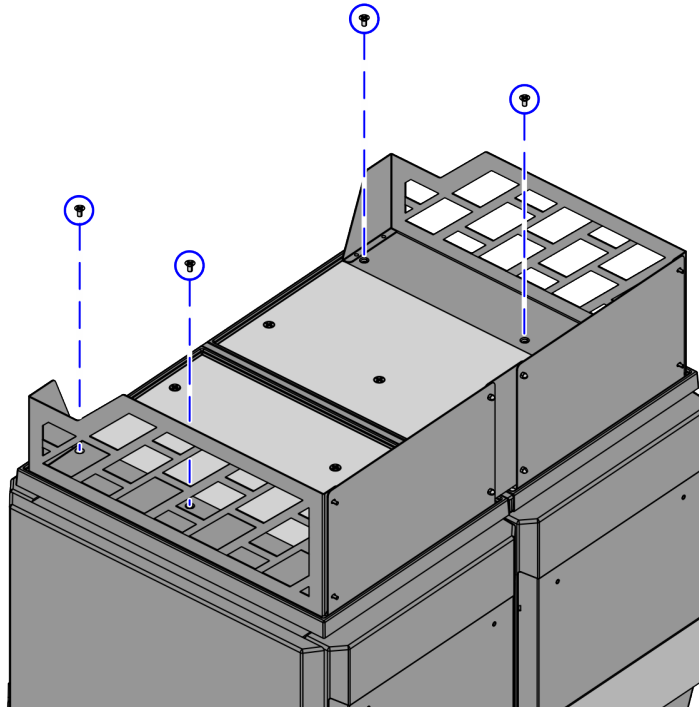
If the screws do not exist or if they are worn out, use the screws (007-7022141) that come with the Bagwell Fence.

## 1-Bag Bagwell



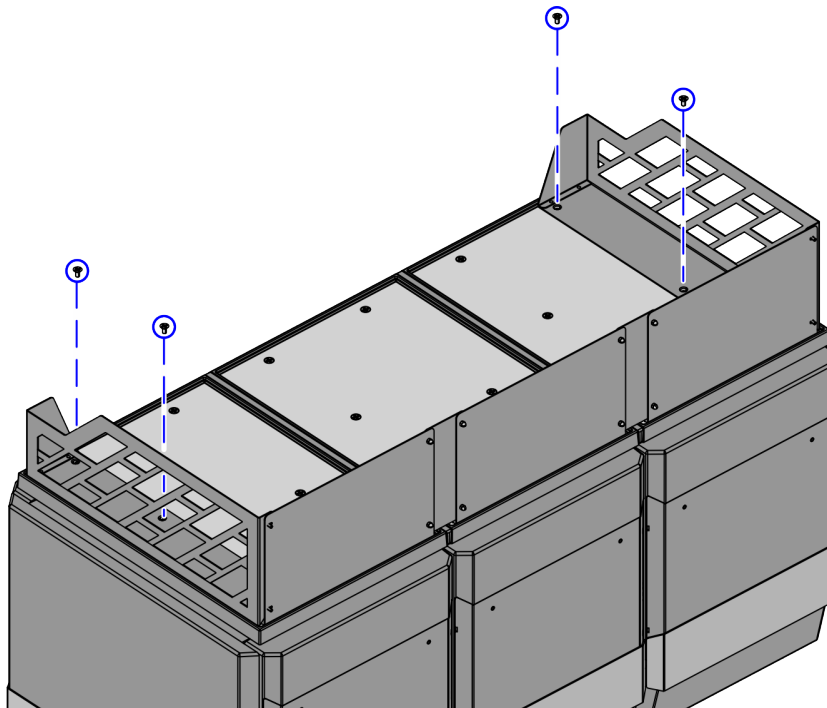
CCP-82880

## 2-Bag Bagwell



CCP-82998

## 3-Bag Bagwell

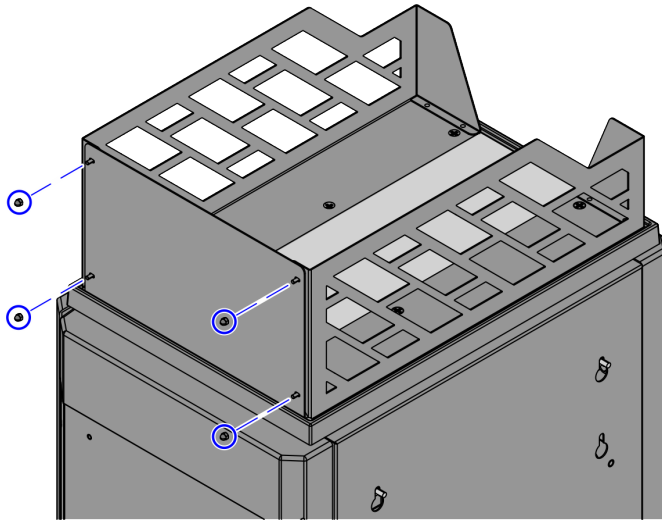


CCP-82999

Confidential and proprietary information of NCR Voyix Corporation.  
Unauthorized use, reproduction and/or distribution is strictly prohibited.

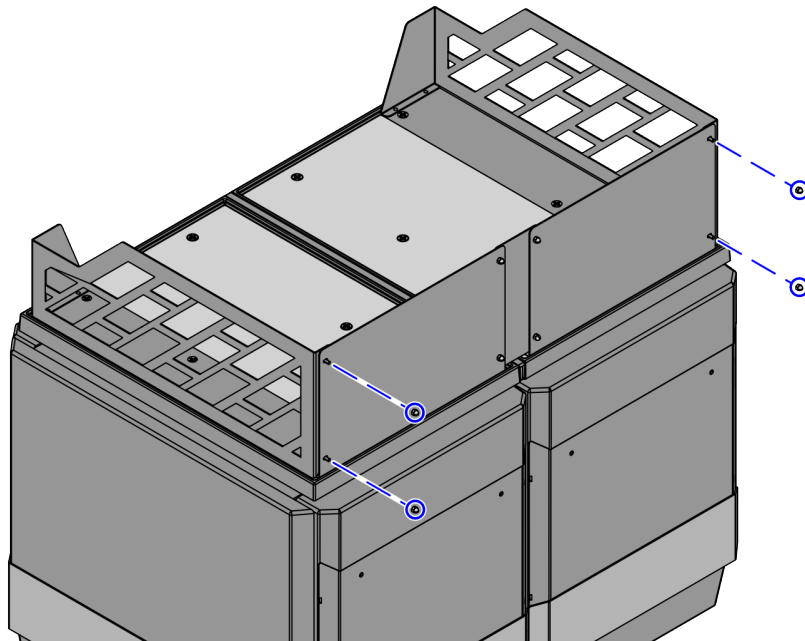
- Secure the Fence to the Backsplash using four (4) nuts, as shown in the image below.

## 1-Bag Bagwell



CCP-82881

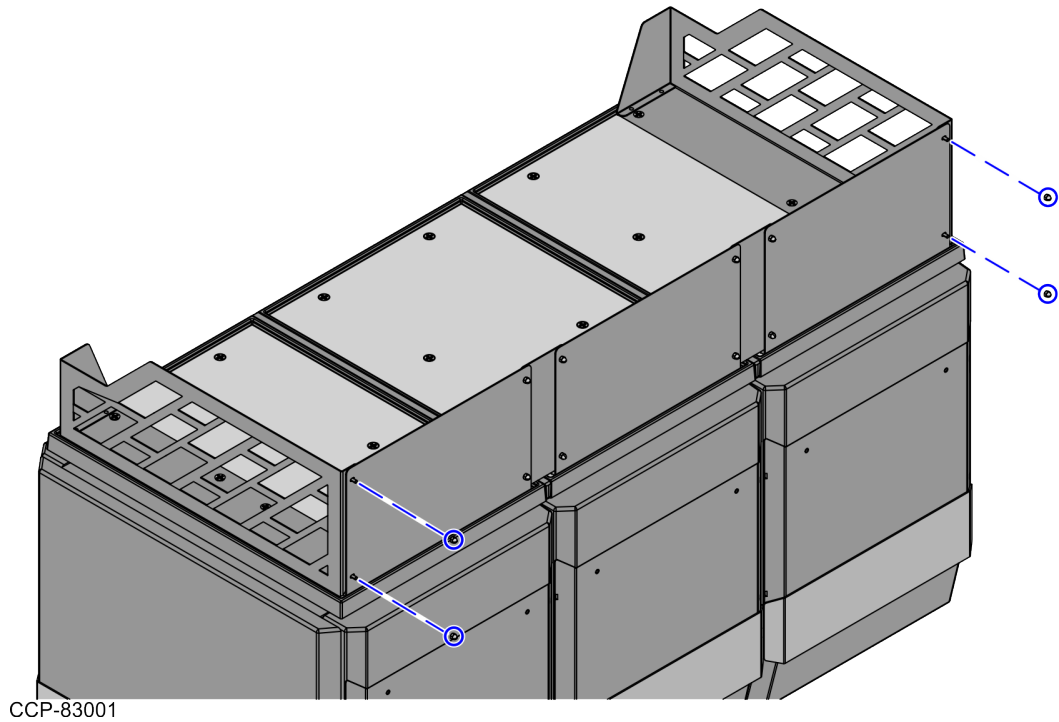
## 2-Bag Bagwell



CCP-83000

Confidential and proprietary information of NCR Voyix Corporation.  
Unauthorized use, reproduction and/or distribution is strictly prohibited.

## 3-Bag Bagwell



CCP-83001

Confidential and proprietary information of NCR Voyix Corporation.  
Unauthorized use, reproduction and/or distribution is strictly prohibited.