



Kit Instructions

1 Bagwell (No Scale)



7371-K002

Issue A

The product described in this document is a licensed product of NCR Corporation.

NCR is a registered trademark of NCR Corporation. NCR Self-Checkout Hardware is a trademark of NCR Corporation in the United States and/or other countries. Other product names mentioned in this publication may be trademarks or registered trademarks of their respective companies and are hereby acknowledged.

The terms HDMI and HDMI High-Definition Multimedia Interface, and the HDMI Logo are trademarks or registered trademarks of HDMI Licensing LLC in the United States and other countries.

Where creation of derivative works, modifications or copies of this NCR copyrighted documentation is permitted under the terms and conditions of an agreement you have with NCR, NCR's copyright notice must be included.

It is the policy of NCR Corporation (NCR) to improve products as new technology, components, software, and firmware become available. NCR, therefore, reserves the right to change specifications without prior notice.

All features, functions, and operations described herein may not be marketed by NCR in all parts of the world. In some instances, photographs are of equipment prototypes. Therefore, before using this document, consult with your NCR representative or NCR office for information that is applicable and current.

Copyright © 2023

By NCR Voyix Corporation
Global Headquarters
864 Spring St. NW
Atlanta, GA 30308
United States
All Rights Reserved

Confidential and proprietary information of NCR Voyix Corporation.
Unauthorized use, reproduction and/or distribution is strictly prohibited.

Revision Record

Issue	Date	Remarks
A	Oct 2023	First issue.

Confidential and proprietary information of NCR Voyix Corporation.
Unauthorized use, reproduction and/or distribution is strictly prohibited.

1 Bagwell (No Scale)

This publication provides procedures for installing 7371-K002 1 Bagwell (No Scale) to the following NCR Self-Checkout units:

- 7371 Full Function Self-Checkout
- 7371 Full Function Self-Checkout (Hybrid)
- 7372 Card Only Self-Checkout (Pedestal)

i Note

For the 7372 Card Only Self-Checkout (Pedestal), ensure that the Bagwell Spacer is installed prior to the Bagwell installation. To install the Bagwell Spacer, refer to the 7372-K001 Bagwell Spacer (Card Only) Kit Instructions.

The NCR Self-Checkout units with a Bagging Area (Bagwell) Module can be configured for either Left-hand (LH) orientation or Right-hand (RH) orientation, which refers to the direction customers scan and bag items.

- **Left-hand (LH) orientation**—Customers scan from left to right.
- **Right-hand (RH) orientation**—Customers scan from right to left.

i Note

The orientation of the unit is determined by the position of the Lower Core (Cabinet) Module in relation to the Bagging Area (Bagwell) Module.

pencil Example

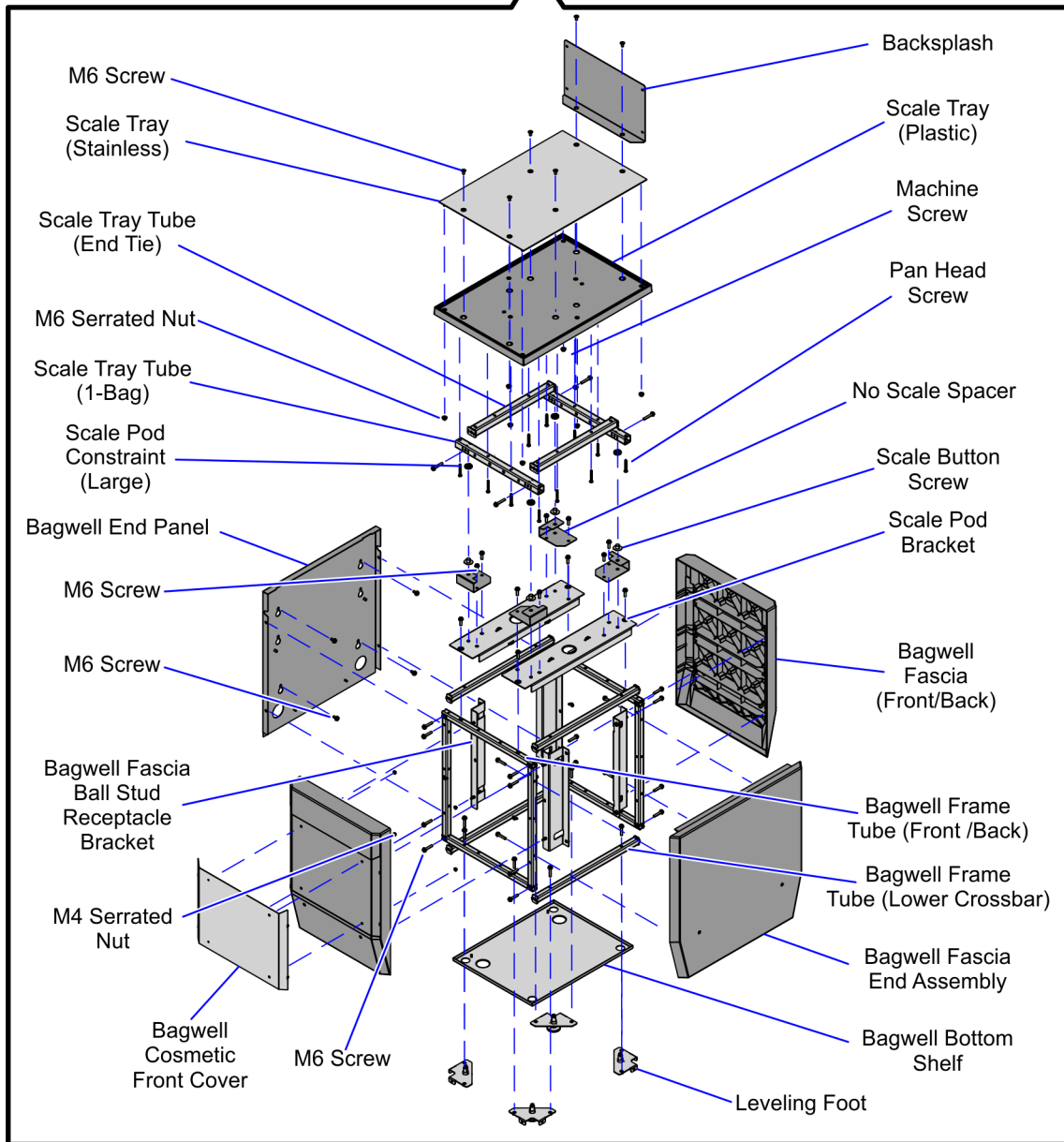
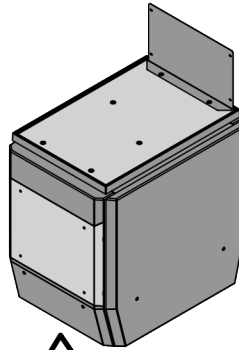
The Left-hand (LH) orientation has the unit positioned on the left side of the Bagwell.

Confidential and proprietary information of NCR Voyix Corporation.

Unauthorized use, reproduction and/or distribution is strictly prohibited.

Kit Contents




1 Bagwell
No Scale




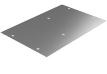

CCP-82833

Confidential and proprietary information of NCR Voyix Corporation.





Unauthorized use, reproduction and/or distribution is strictly prohibited.

Part	Part Number	Description
	497-0534442	7371-K002 1 Bagwell (No Scale)
	497-0534668	Bagwell, Frame, Tube, Front/Back (2 Pcs)
	497-0534218	Bagwell, Frame, Tube, Cross Bar, Lower (4 Pcs)
	006-8628595	Metric Machine Screw, Hex Hd, M6 X 30mm (28 Pcs)
	497-0534302	Bagwell, Gusset, Leveling Foot (4 Pcs)
	497-0534677	Bagwell, SCO, End Panel
	009-0006599	Screw Hex M6 X 12 Mc Comb (4 Pcs)
	497-0533463	Bagwell, Shelf, Bottom
	497-0534672	Bagwell, Fascia, Ball Stud Receptacle Bracket (4 Pcs)
	497-0534674	Bagwell, Scale Pod, Bracket (2 Pcs)
	497-0534566	Assembly, Bagwell Fascia End
	497-0534479	Spacer, No Scale (4 Pcs)
	009-0006598	Screws M6 X 20 (12 Pcs)

Confidential and proprietary information of NCR Voyix Corporation.
Unauthorized use, reproduction and/or distribution is strictly prohibited.

Part	Part Number	Description
	497-0532744	Scale Button Screw, 1/4-20, Zn Chromate (4 Pcs)
	497-0534266	Bagwell, Fascia, Front/Back (2 Pcs)
	795-0297535	Front Cover, Cosmetic, Bagwell (Mid-Impact Silver)
	009-0007087	Serrated Nut-Self Locking (Hex,M4,4.2) (4 Pcs)
	497-0532697	Bagwell, Scale Tray, Plastic
	497-0532704	Bagwell, Scale Tray, Stainless
	497-0534373	Scale Tray Tube, 1-Bag (2 Pcs)
	497-0534056	Scale Tray Tube, End Tie (2 Pcs)
	497-0533942	Scale Pod Constraint, Large (4 Pcs)
	497-0532756	Backsplash, Scale Tray, 1 Bag
	009-0007088	Serrated Nut-Self Locking (Hex,M6,6.0) (8 Pcs)
	006-8628550	Screw - Torx Pan Head Thread-Forming, #10 X 1.5" Long (12 Pcs)
	006-8628641	Metric Machine Screw, Hex Head, M6 X 50 mm (4 pcs)

Confidential and proprietary information of NCR Voyix Corporation.
Unauthorized use, reproduction and/or distribution is strictly prohibited.

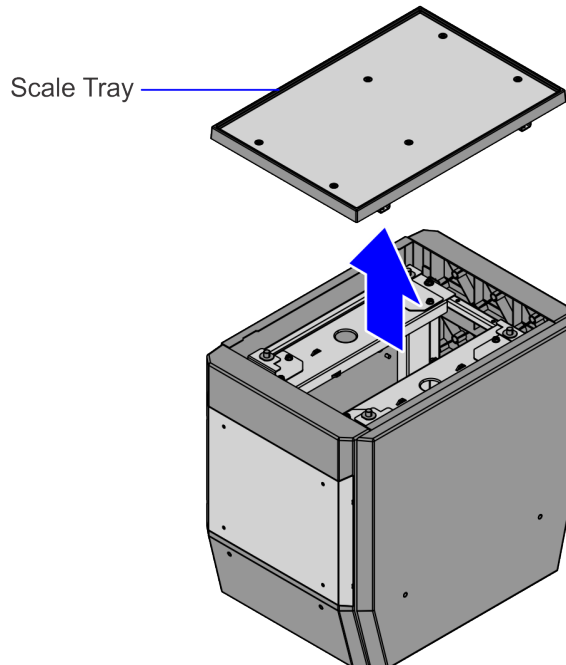
Part	Part Number	Description
	007-7022141	Screw Ma Flat Poz M6 (6 Pcs)
	497-0534482	Hole Cover Label - Impact Black (Blk7)
	006-8626376	Wing Nut - M4X0.7Mm - Zinc-Plated Steel (4 Pcs)
	006-8628706	Zinc-Plated Steel Split Lock Washer - M6 (32 Pcs)
*	497-0423108	Instructions Kit (Reference Sheet)

* Items marked with an asterisk are not called out on the image.

Installation Procedures

To install the 7371-K002 1 Bagwell (No Scale) kit, follow these steps:

1. Lift and remove the Scale Tray off the Bagwell and then set it aside.

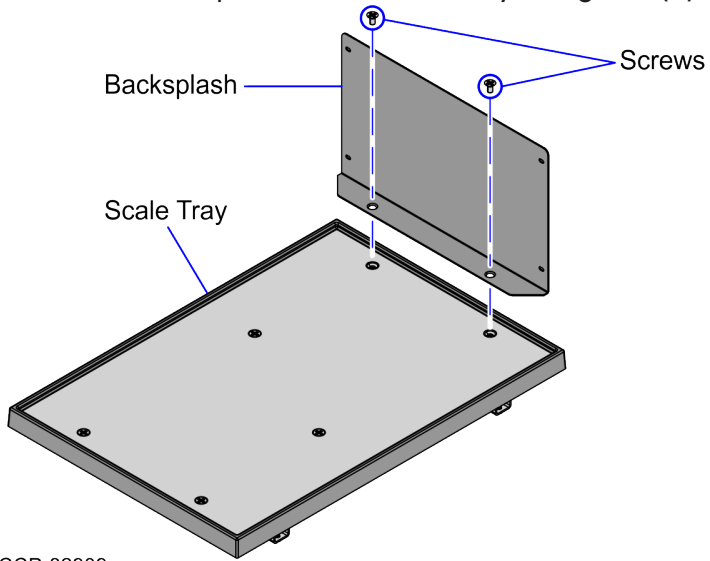


CCP-82958

2. Remove the Bagwell Panels (Front and Back). For more information, refer to [Removing the Bagwell Panels \(Front and Back\)](#).
3. Install the Bagwell to the unit. Depending on the unit, refer to the following sections:
 - [Installing Bagwell: 7371 NCR Self-Checkout](#)
 - [Installing Bagwell: 7372 Card Only Self-Checkout](#)
4. Install the Bagwell Panels (Front and Back). For more information, refer to [Installing the Bagwell Panels \(Front and Back\)](#).

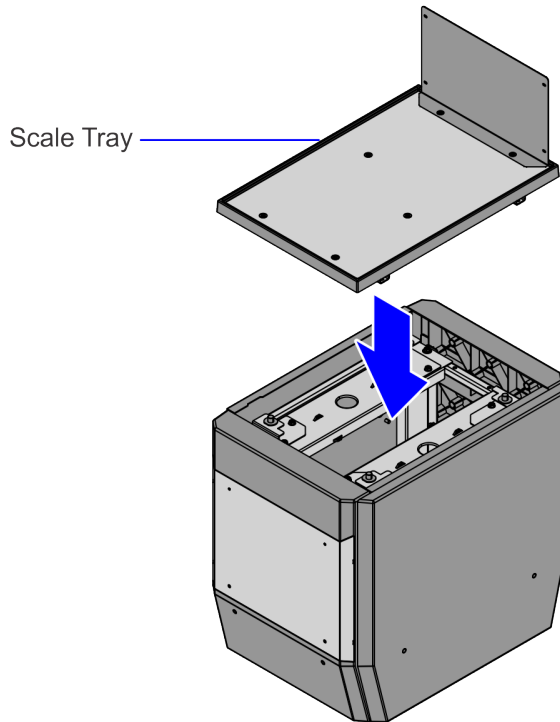
Confidential and proprietary information of NCR Voyix Corporation.
Unauthorized use, reproduction and/or distribution is strictly prohibited.

5. Attach the Backsplash to the Scale Tray using two (2) screws.



CCP-82909

6. Place the Scale Tray with Backsplash on the Bagwell.

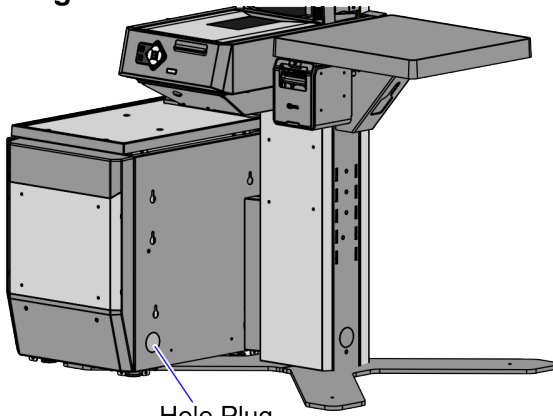


CCP-82959

Confidential and proprietary information of NCR Voyix Corporation.
Unauthorized use, reproduction and/or distribution is strictly prohibited.

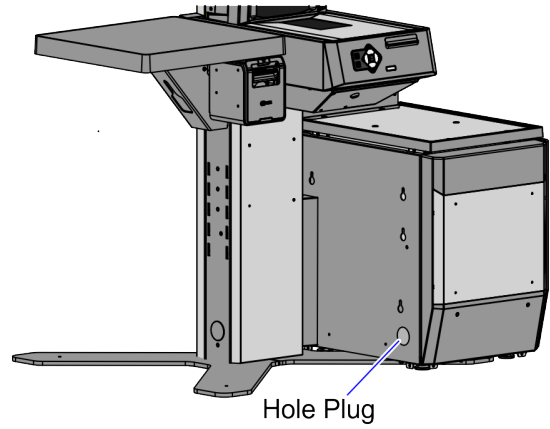
7. For the 7372 Card Only Self-Checkout (Pedestal) unit, install a Hole Plug in the area of the End Panel that is not covered by the Pedestal Cabinet, as shown in the image below.

Right-Hand Unit



CCP-82980

Left-Hand Unit



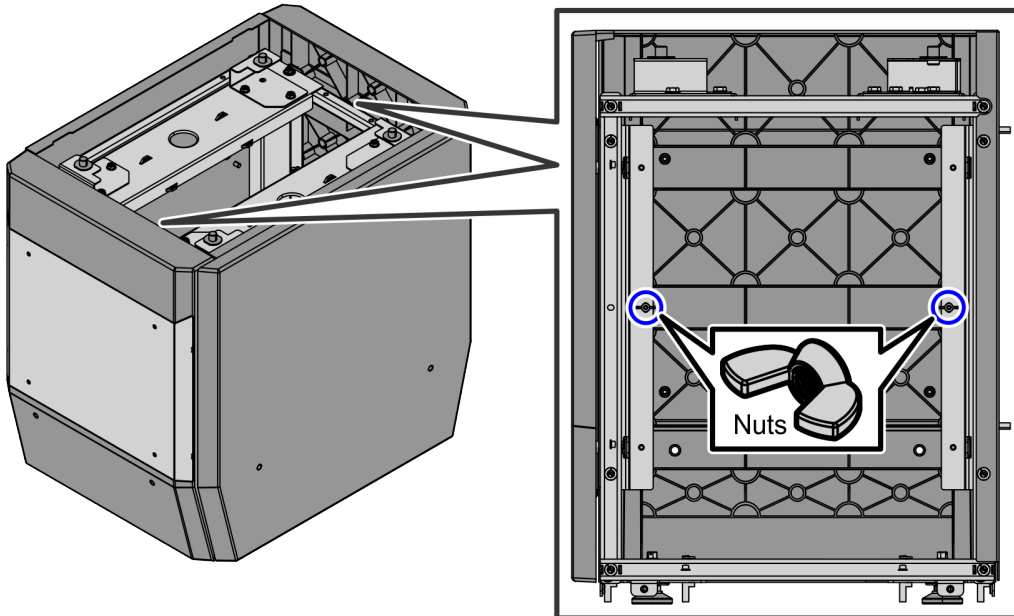
Confidential and proprietary information of NCR Voyix Corporation.
Unauthorized use, reproduction and/or distribution is strictly prohibited.

Removing the Bagwell Panels (Front and Back)

To remove the Front and Back panels from the Bagwell Frame, follow these steps:

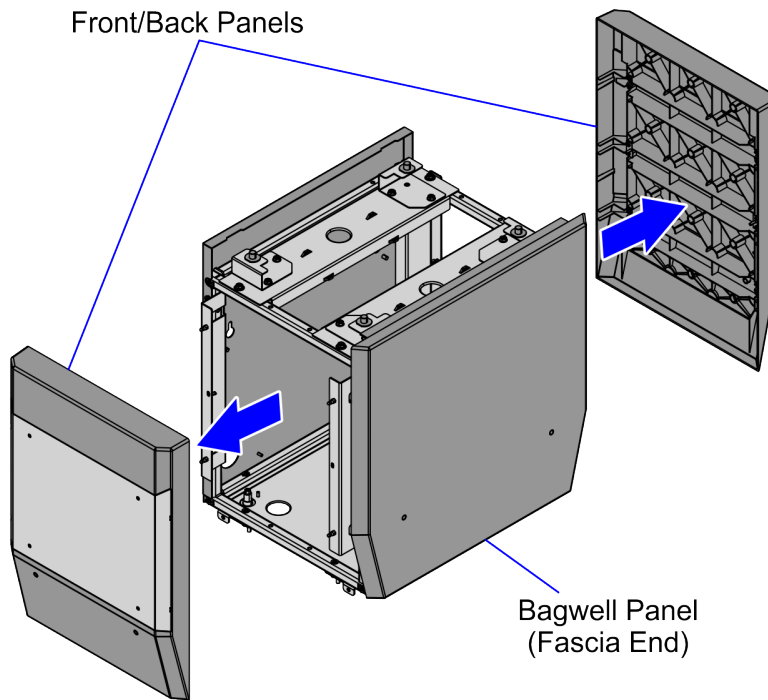
i Note
This procedure uses images of the Bagwell only for reference.

1. Remove four (4) wing nuts from inside the Bagwell to detach the Front and Back Panels, as shown in the image below. Each panel has two (2) wing nuts.



CCP-82960

2. Pull to unclip the Front and Back Panels from the Bagwell Frame.



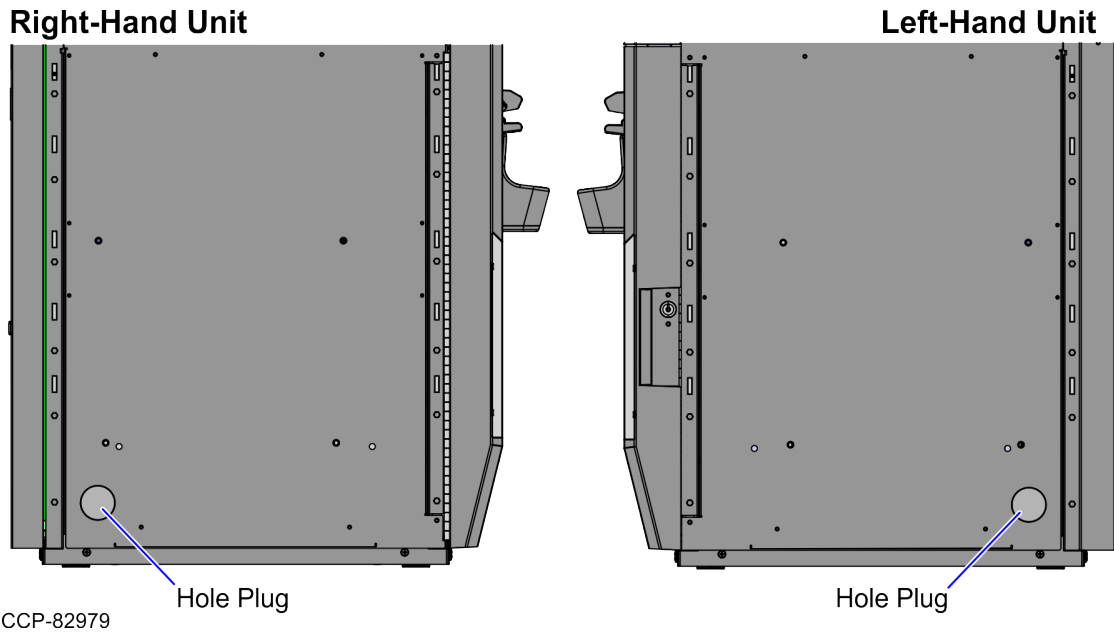
CCP-82961

Confidential and proprietary information of NCR Voyix Corporation.
Unauthorized use, reproduction and/or distribution is strictly prohibited.

Installing Bagwell: 7371 NCR Self-Checkout

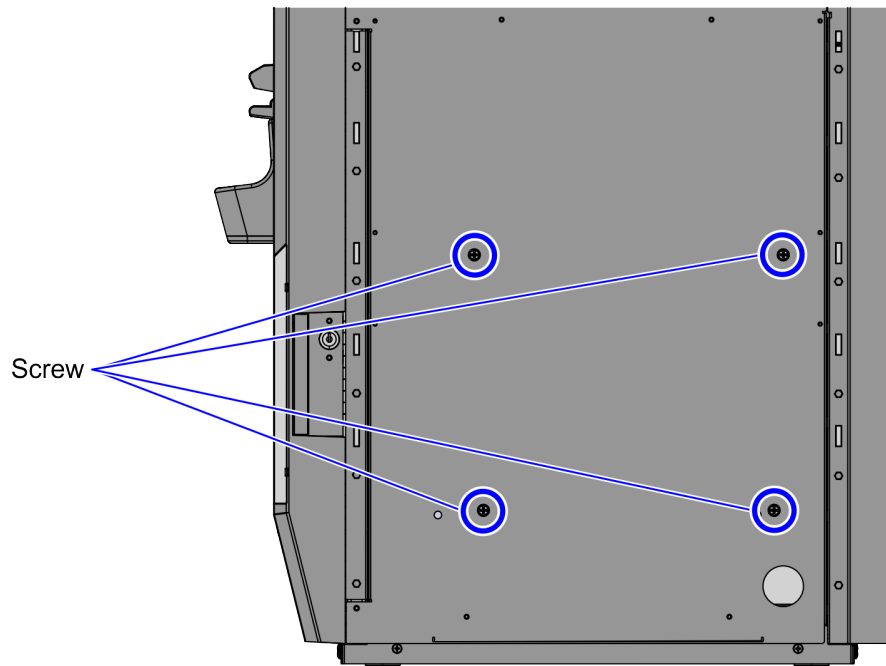
To install the 7371-K002 1 Bagwell (No Scale) to the 7371 NCR Self-Checkout unit, follow these steps:

1. If installed, remove the Hole Plug from the side of the Core Cabinet where the Bagwell will be installed.



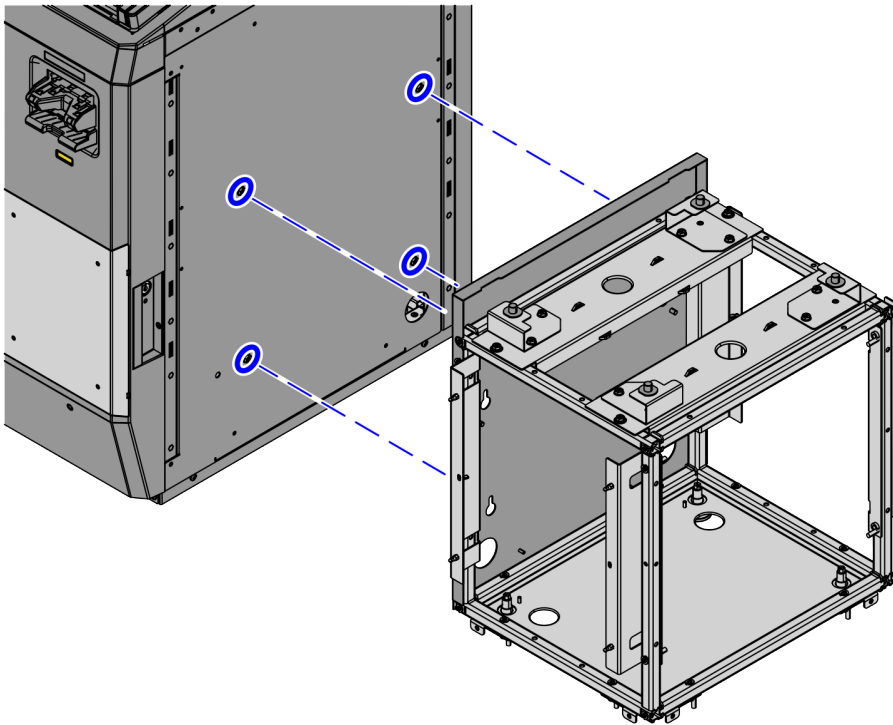
Confidential and proprietary information of NCR Voyix Corporation.
Unauthorized use, reproduction and/or distribution is strictly prohibited.

- Partially insert and thread four (4) screws on the Bagwell-side of the Core Cabinet, as shown in the image below. Leave approximately $\frac{1}{4}$ inch of threads exposed.



CCP-82982

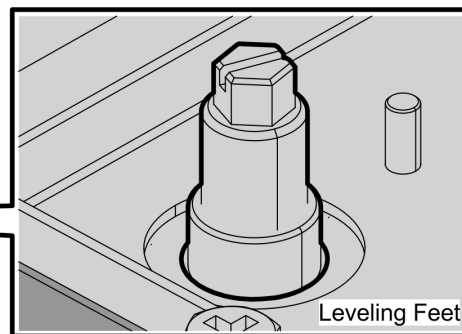
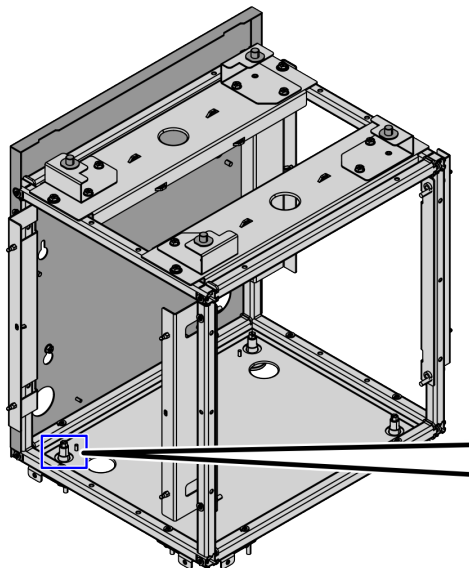
3. Align the holes on the End Panel of the Bagwell with the four (4) screws on the side of the Core Cabinet.



CCP-82983

i Note

When necessary, adjust the leveling feet to assist in lining up the Core Cabinet and Bagwell mounting holes.



CCP-82981

Confidential and proprietary information of NCR Voyix Corporation.
Unauthorized use, reproduction and/or distribution is strictly prohibited.

4. Do the following:
 - a. Move the Bagwell beside the Core Cabinet.
 - b. Slightly lift the Bagwell up and over the partially threaded screws.
 - c. Tighten the screws to secure the Bagwell.

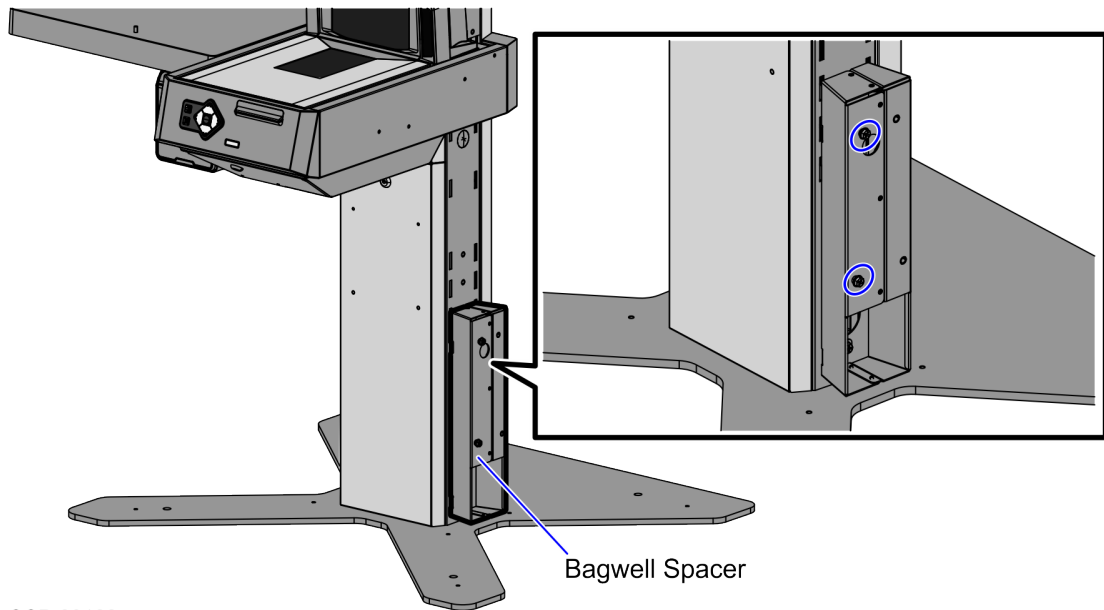
i Note

Ensure that the Bagwell does not wobble or rock by placing your hands and exerting moderate pressure on various parts of the Bagwell. Adjust the Leveling Feet, if necessary.

Installing Bagwell: 7372 Card Only Self-Checkout

To install the 7371-K002 1 Bagwell (No Scale) to the 7372 Card Only Self-Checkout unit, follow these steps:

1. Install the Bagwell Stabilizer in the Bagwell. For more information, refer to the 7372-K001 Bagwell Spacer (Card Only) Kit Instructions.
2. Partially insert and thread two (2) screws on the Bagwell Spacer, as shown in the image below. Leave approximately $\frac{1}{4}$ inch of threads exposed.

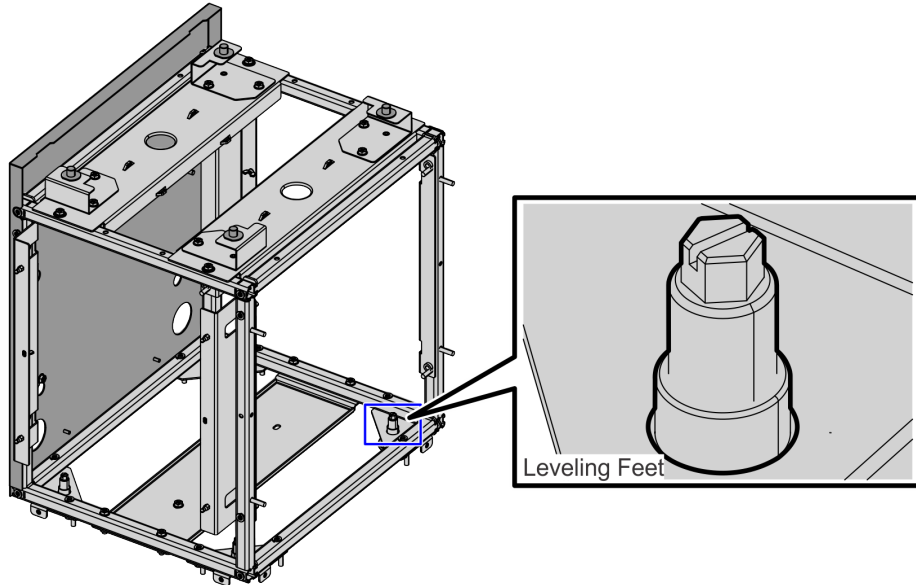


CCP-83122

3. Move the Bagwell beside the Pedestal Cabinet.

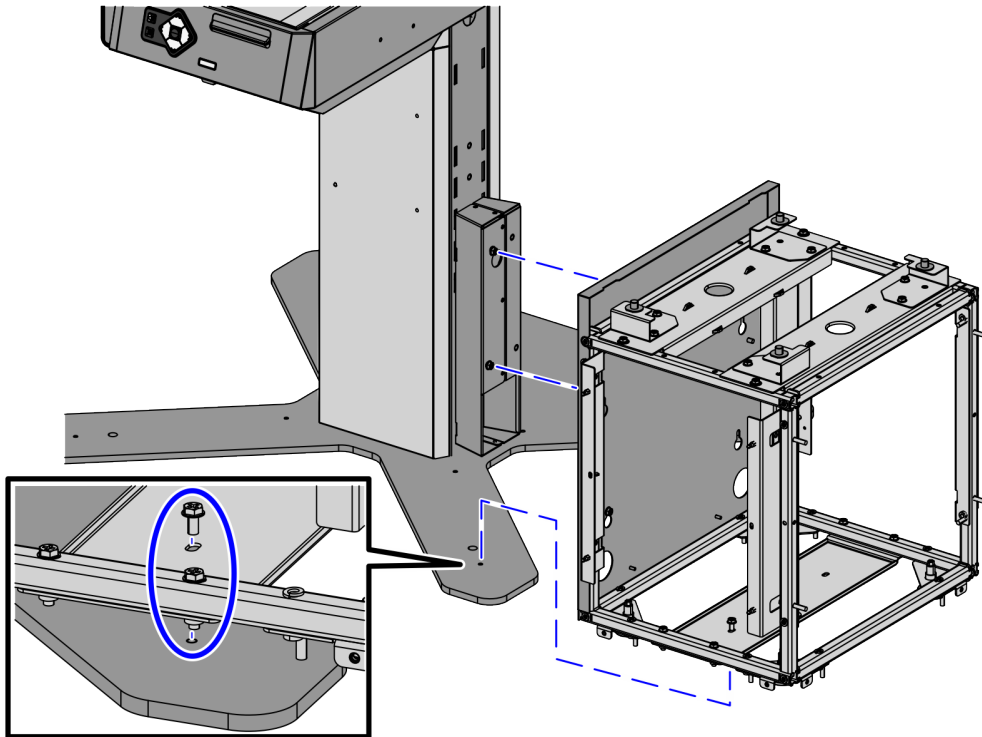
i Note

When necessary, adjust the leveling feet to assist in lining up the Bagwell Spacer and Bagwell mounting holes.



CCP-82987

4. Ensure that the hole on the Base Plate and Bagwell Stabilizer are aligned.



CCP-83123

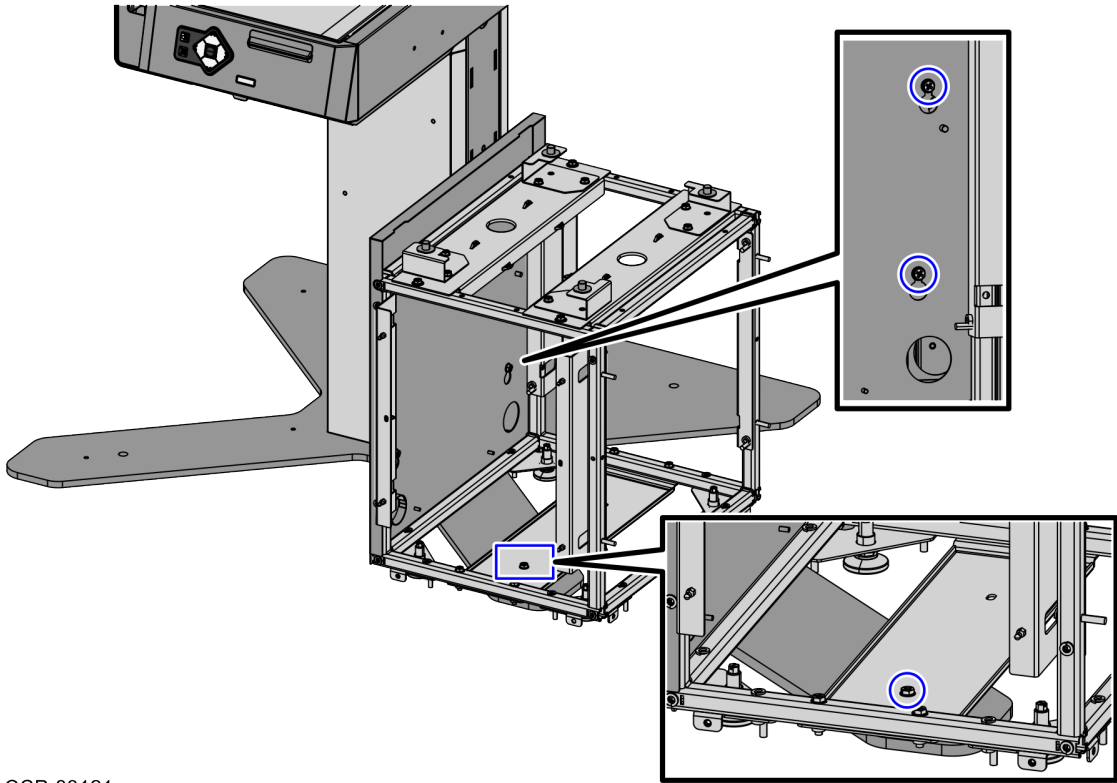
5. Slightly lift the Bagwell up and over the partially threaded screws on the Bagwell Spacer.

Confidential and proprietary information of NCR Voyix Corporation.
Unauthorized use, reproduction and/or distribution is strictly prohibited.

6. Tighten the three (3) screws to secure the Bagwell.

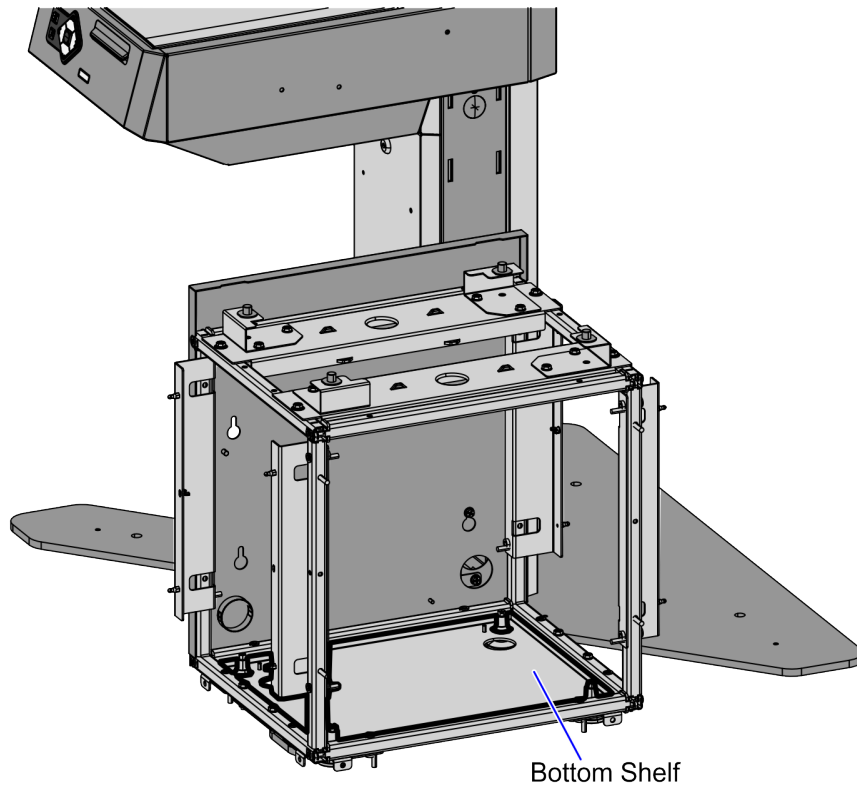
i Note

Ensure that the Bagwell does not wobble or rock by placing your hands and exerting moderate pressure on various parts of the Bagwell. Adjust the Leveling Feet, if necessary.



CCP-83121

7. Place the Bottom Shelf inside the Bagwell, as shown in the image below.



CCP-83127

Bottom Shelf

Confidential and proprietary information of NCR Voyix Corporation.
Unauthorized use, reproduction and/or distribution is strictly prohibited.

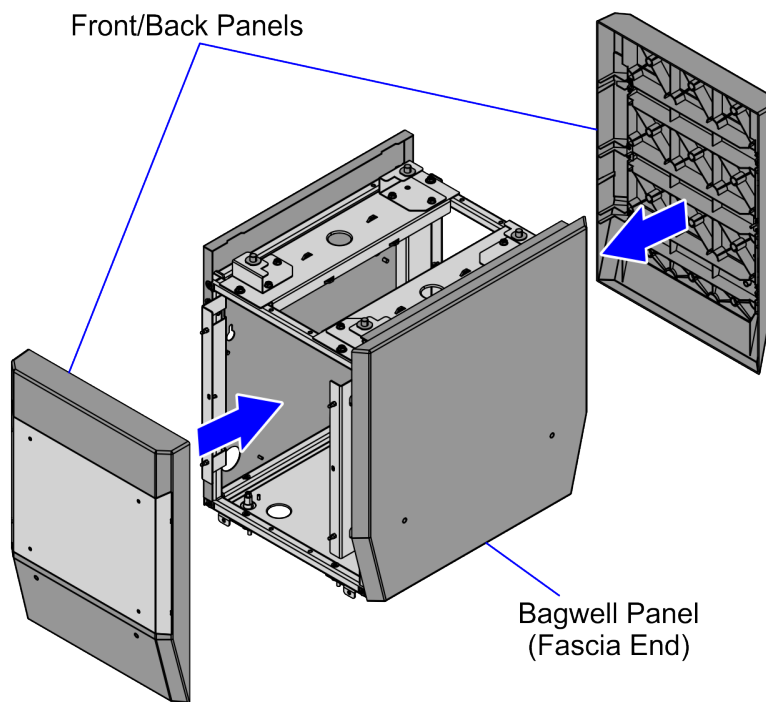
Installing the Bagwell Panels (Front and Back)

To install the Front and Back panels to the Bagwell Frame, follow these steps:

i Note
This procedure uses images of the Bagwell only for reference.

1. Push the Front and Back Panels onto the Bagwell Frame until each panel clicks and locks into place.

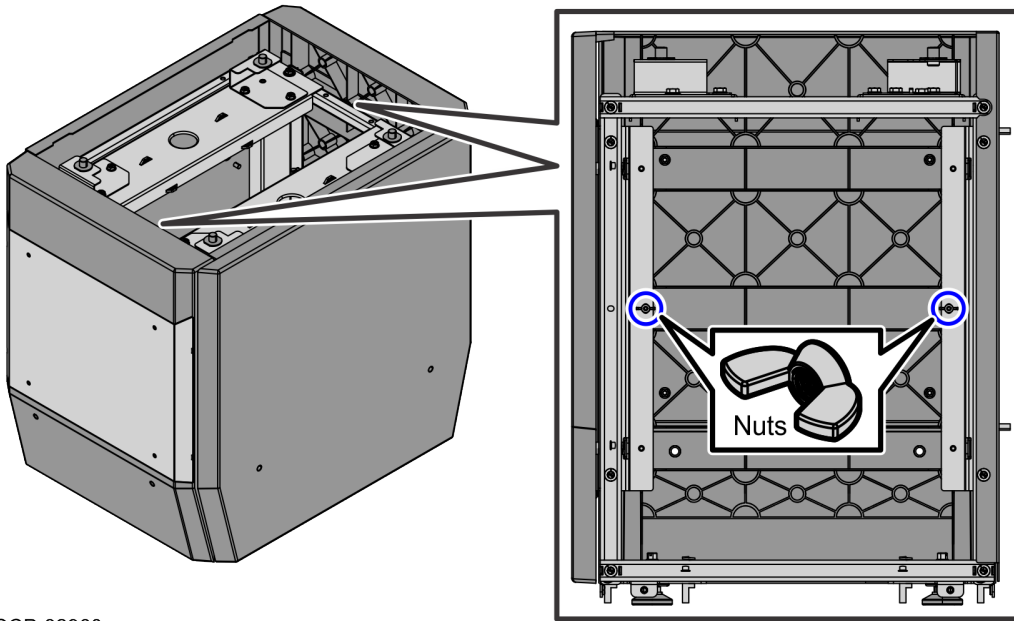
i Note
The Front and Back Panels of the Bagwell must be installed after the End Panel.



CCP-82966

Confidential and proprietary information of NCR Voyix Corporation.
Unauthorized use, reproduction and/or distribution is strictly prohibited.

- Secure each Panel to the Bagwell Frame using two (2) wing nuts from inside the Bagwell, as shown in the image below.



CCP-82960

Confidential and proprietary information of NCR Voyix Corporation.
Unauthorized use, reproduction and/or distribution is strictly prohibited.