



Kit Instructions

1 Bagwell (with Scale)



7371-K001

Issue A

The product described in this document is a licensed product of NCR Corporation.

NCR is a registered trademark of NCR Corporation. NCR Self-Checkout Hardware is a trademark of NCR Corporation in the United States and/or other countries. Other product names mentioned in this publication may be trademarks or registered trademarks of their respective companies and are hereby acknowledged.

The terms HDMI and HDMI High-Definition Multimedia Interface, and the HDMI Logo are trademarks or registered trademarks of HDMI Licensing LLC in the United States and other countries.

Where creation of derivative works, modifications or copies of this NCR copyrighted documentation is permitted under the terms and conditions of an agreement you have with NCR, NCR's copyright notice must be included.

It is the policy of NCR Corporation (NCR) to improve products as new technology, components, software, and firmware become available. NCR, therefore, reserves the right to change specifications without prior notice.

All features, functions, and operations described herein may not be marketed by NCR in all parts of the world. In some instances, photographs are of equipment prototypes. Therefore, before using this document, consult with your NCR representative or NCR office for information that is applicable and current.

Copyright © 2023

By NCR Voyix Corporation
Global Headquarters
864 Spring St. NW
Atlanta, GA 30308
United States
All Rights Reserved

Confidential and proprietary information of NCR Voyix Corporation.
Unauthorized use, reproduction and/or distribution is strictly prohibited.

Revision Record

Issue	Date	Remarks
A	Oct 2023	First issue.

Confidential and proprietary information of NCR Voyix Corporation.
Unauthorized use, reproduction and/or distribution is strictly prohibited.

1 Bagwell (with Scale)

This publication provides procedures for installing the 7371-K001 1 Bagwell (with Scale) to the following NCR Self-Checkout units:

- 7371 Full Function Self-Checkout
- 7372 Card Only Self-Checkout

i Note

For the 7372 Card Only Self-Checkout, ensure that the Bagwell Spacer is installed prior to the Bagwell installation. To install the Bagwell Spacer, refer to the 7372-K001 Bagwell Spacer (Card Only) Kit Instructions.

The NCR Self-Checkout units with a Bagging Area (Bagwell) Module can be configured for either Left-hand (LH) orientation or Right-hand (RH) orientation, which refers to the direction customers scan and bag items.

- **Left-hand (LH) orientation**—Customers scan from left to right.
- **Right-hand (RH) orientation**—Customers scan from right to left.

i Note

The orientation of the unit is determined by the position of the Lower Core (Cabinet) Module in relation to the Bagging Area (Bagwell) Module.

p Example

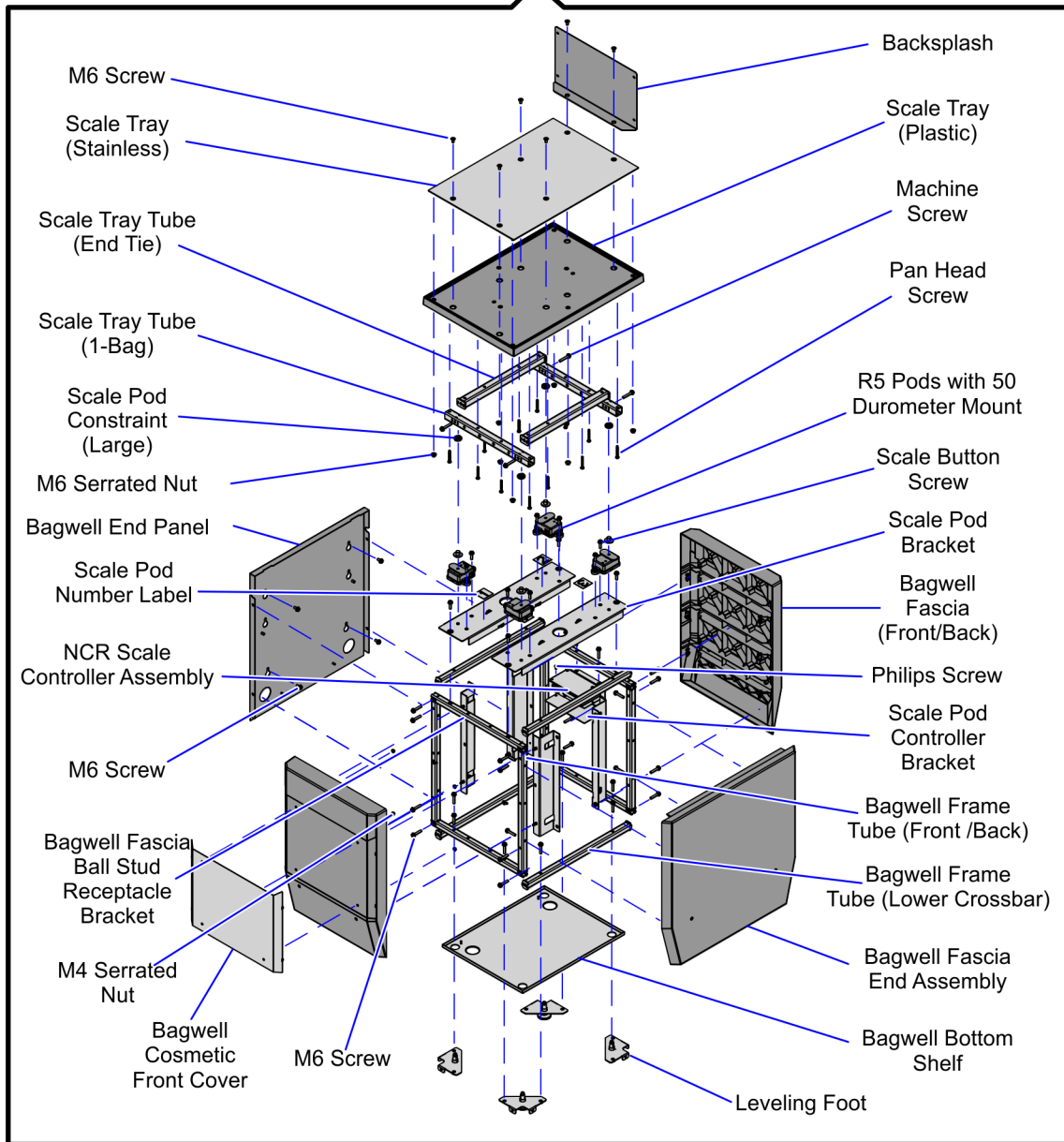
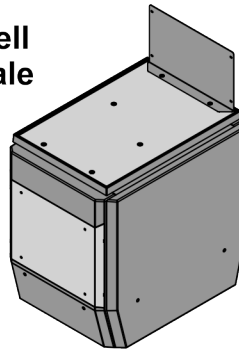
The Left-hand (LH) orientation has the unit positioned on the left side of the Bagwell.

Confidential and proprietary information of NCR Voyix Corporation.

Unauthorized use, reproduction and/or distribution is strictly prohibited.

Kit Contents

1 Bagwell with Scale

















CCP-82832

Confidential and proprietary information of NCR Voyix Corporation.








Unauthorized use, reproduction and/or distribution is strictly prohibited.

Part	Part Number	Description
	497-0533873	7371-K001 Bagwell with Scale
	006-8615068	Screw - M4 X 8Mm, .7Mm Pitch, Phillips Pan, Sems, Machined 18-8 SST (2 Pcs)
	009-0006598	Screws M6 X 20 (12 Pcs)
	006-8628550	Screw - Torx Pan Head Thread-Forming, #10 X 1.5" Long (12 Pcs)
	006-8628595	Metric Screw Machine, Hex Head – M6 X 30 mm (30 pcs)
	007-7022141	Screw Ma Flat Poz M6 (6 pcs)
	009-0006599	Screw Hex M6 X 12 Mc Comb (4 pcs)
	009-0007087	Serrated Nut-Self Locking (Hex,M4,4.2) (4 pcs)
	009-0007088	Serrated Nut-Self Locking (Hex,M6,6.0) (8 pcs)
	497-0458863	Cable - Ethernet (4 pcs)
	497-0468420	Assembly - NCR Scale Controller
	497-0514037	R 5 Pods With 50 Durometer Mount, Polyimide Strain Gauge Backing (4 pcs)
	497-0534678	Bagwell, Scale Pod, Controller, Bracket
	497-0532697	Bagwell, Scale Tray, Plastic
	497-0532704	Bagwell, Scale Tray, Stainless

Confidential and proprietary information of NCR Voyix Corporation.
Unauthorized use, reproduction and/or distribution is strictly prohibited.

Part	Part Number	Description
	497-0532744	Scale Button Screw, 1/4-20, Zn Chromate (4 pcs)
	497-0532756	Backsplash, Scale Tray, 1 Bag
	497-0534677	Bagwell, SCO, End Panel
	497-0533463	Bagwell, Shelf, Bottom
	497-0534566	Assembly, Bagwell Fascia End
	497-0534672	Bagwell, Fascia, Ball Stud Receptacle Bracket (4 pcs)
	497-0534674	Bagwell, Scale Pod, Bracket (2 pcs)
	497-0533942	Scale Pod Constraint, Large (4 pcs)
	497-0534373	Scale Tray Tube, 1-Bag (2 pcs)
	497-0534056	Scale Tray Tube, End Tie (2 pcs)
	497-0534668	Bagwell, Frame, Tube, Front/Back (2 pcs)
	497-0534218	Bagwell, Frame, Tube, Cross Bar, Lower (4 pcs)
	497-0534265	Bagwell, Label, Scale Pod Number
	497-0534266	Bagwell, Fascia, Front/Back (2 pcs)

Confidential and proprietary information of NCR Voyix Corporation.
Unauthorized use, reproduction and/or distribution is strictly prohibited.

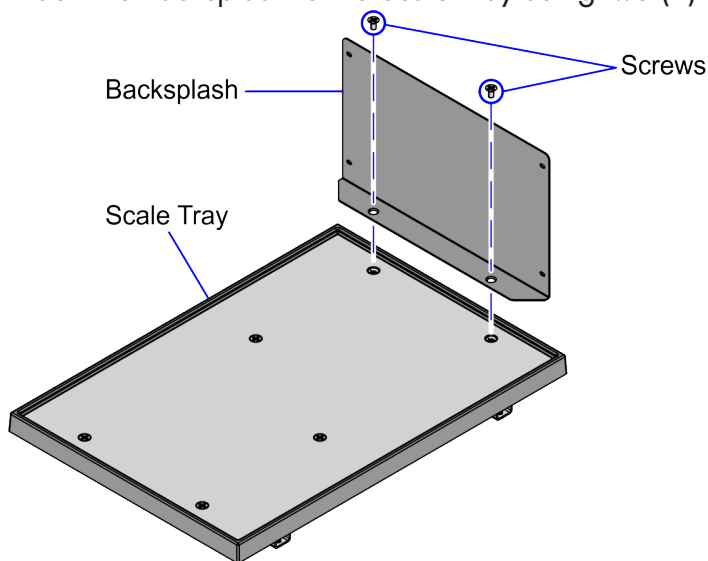
Part	Part Number	Description
	497-0534302	Bagwell, Gusset, Leveling Foot (4 pcs)
	795-0297535	Front Cover, Cosmetic, Bagwell (Mid-Impact Silver)
	497-0508356	Cable - (Black) 2.4M USB +Power (12V) to 2X4 Latch-N-Lok
	006-8628641	Metric Machine Screw, Hex Head, M6 X 50 mm (4 pcs)
	497-0534482	Hole Cover Label - Impact Black (Blk7)
	006-8626376	Wing Nut - M4X0.7Mm - Zinc-Plated Steel (4 Pcs)
	006-8628706	Zinc-Plated Steel Split Lock Washer - M6 (32 Pcs)
*	497-0423108	Instructions Kit (Reference Sheet)

* Items marked with an asterisk are not called out on the image.

Installation Procedures

To install the 7371-K001 1 Bagwell with Scale kit, follow these steps:

1. Remove the Shipping Foams from the Security Scale Pods. For more information, refer to [Removing Shipping Foams from Security Scale Pods](#).
2. Remove the Bagwell Panels (Front and Back). For more information, refer to [Removing the Bagwell Panels \(Front and Back\)](#).
3. Install the Bagwell to the unit. Depending on the unit, refer to the following sections:
 - [Installing Bagwell: 7371 Full Function Self-Checkout](#)
 - [Installing Bagwell: 7372 Card Only Self-Checkout](#)
4. Route the Security Scale Controller cable into the unit. Depending on the unit and configuration, refer to any of the following sections:
 - [Routing Security Scale Controller Cable: 7371 Full Function Self-Checkout](#)
 - [Routing Security Scale Controller Cable: 7372 Card Only Self-Checkout](#)
5. Install the Bagwell Panels (Front and Back). For more information, refer to [Installing the Bagwell Panels \(Front and Back\)](#).
6. Attach the Backsplash to the Scale Tray using two (2) screws.

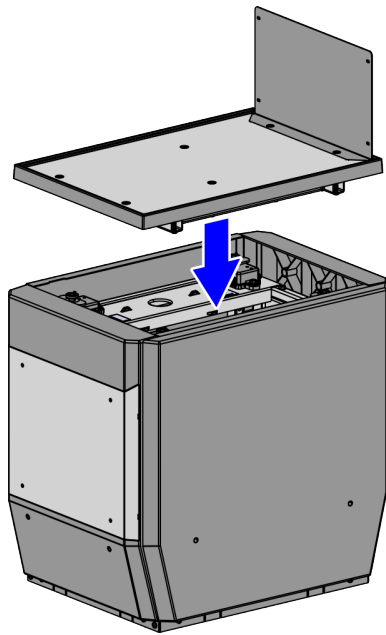


CCP-82909

Confidential and proprietary information of NCR Voyix Corporation.

Unauthorized use, reproduction and/or distribution is strictly prohibited.

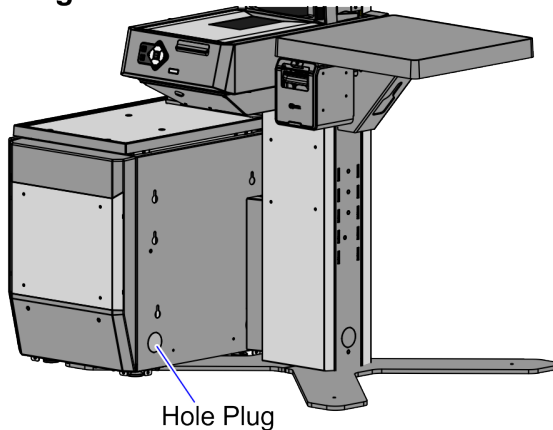
7. Place the Scale Tray with Backsplash on top of the four (4) Scale Pods of the Bagwell.



CCP-82968

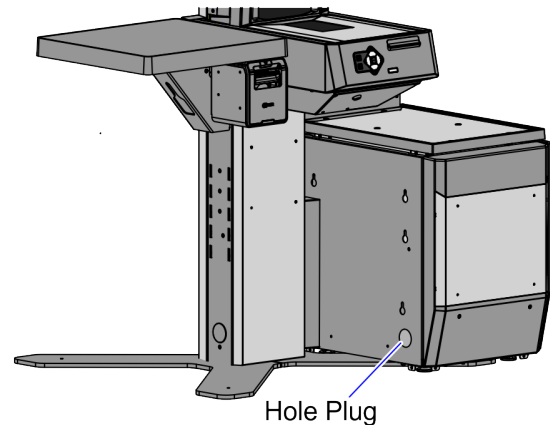
- For the 7372 Card Only Self-Checkout unit, install a Hole Plug in the area of the End Panel that is not covered by the Pedestal Cabinet, as shown in the image below.

Right-Hand Unit



CCP-82980

Left-Hand Unit



- Calibrate the Security Scale. For more information, refer to [Calibrating the Security Scale](#).

i Note

A Zero-Scale Calibration or Soft Calibration should be performed any time the hardware infrastructure of the Security Scale Tray is changed. Use the Profile Manager Lite (PML) application to perform this procedure if screws were tightened, Scale Pods or the Security Scale Controller were replaced, the bagging platform changed, or a Bagwell Fence is added.

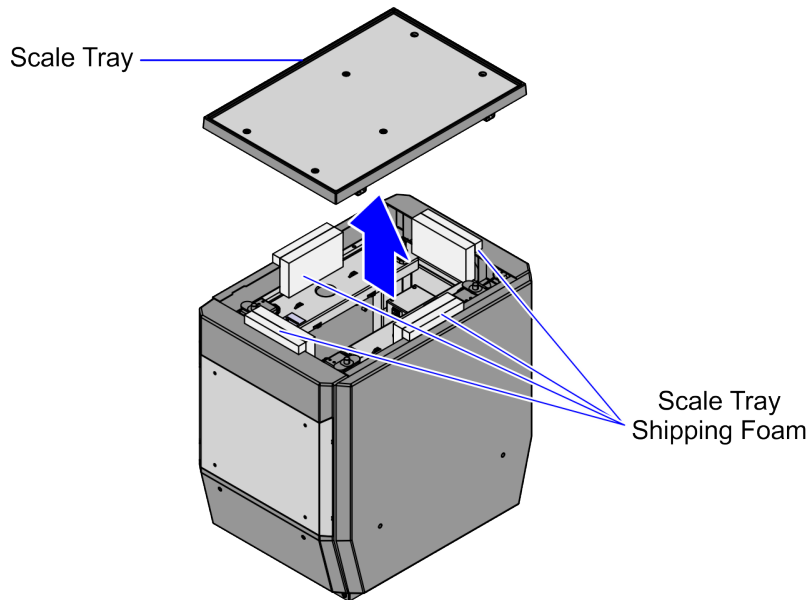
Confidential and proprietary information of NCR Voyix Corporation.

Unauthorized use, reproduction and/or distribution is strictly prohibited.

Removing Shipping Foams from Security Scale Pods

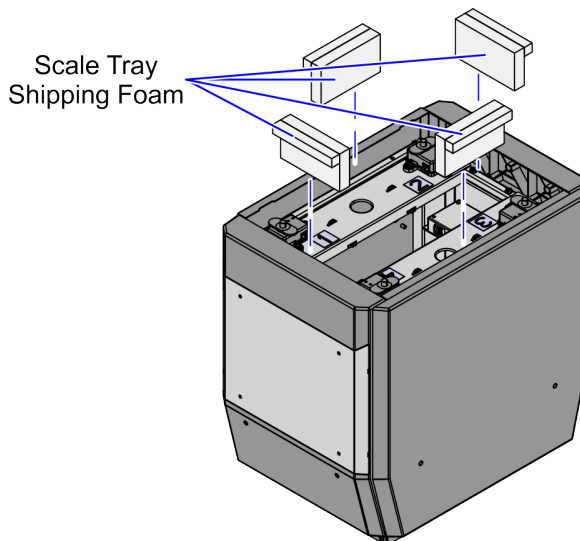
The Security Scale is pre-installed in the unit. But, it is delivered to the store with shipping foams that must be removed before the unit is operational. To remove the shipping foams, follow these steps:

1. Lift the Scale Tray off the Bagwell and then set it aside.



CCP-82929

2. Remove the Scale Tray shipping foams.



CCP-82930

Confidential and proprietary information of NCR Voyix Corporation.
Unauthorized use, reproduction and/or distribution is strictly prohibited.

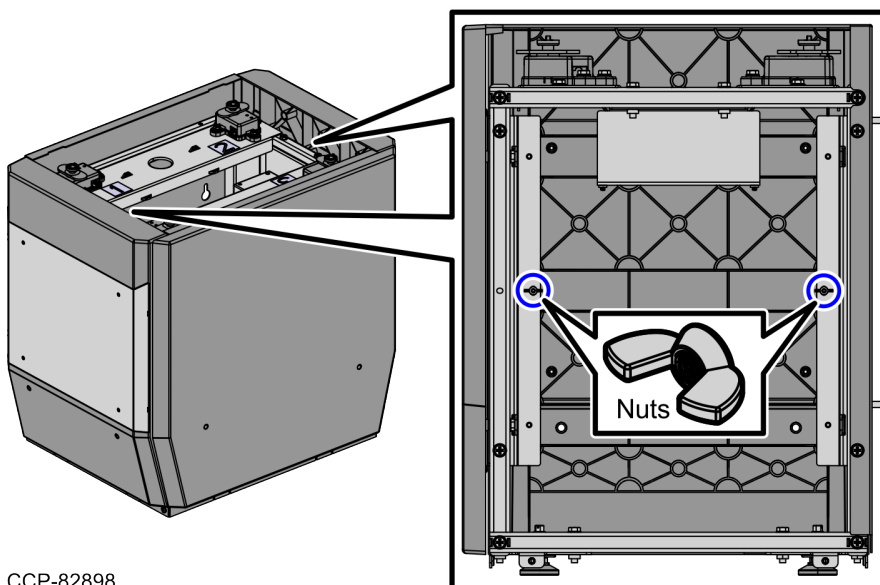
Removing the Bagwell Panels (Front and Back)

To remove the Front and Back panels from the Bagwell Frame, follow these steps:

i Note
This procedure uses images of the Bagwell only for reference.

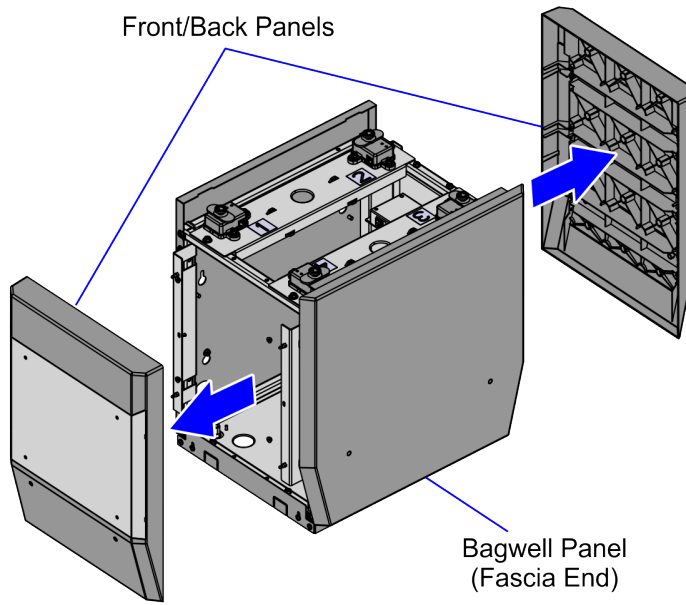
1. Remove four (4) wing nuts from inside the Bagwell to detach the Front and Back Panels, as shown in the image below. Each panel have two (2) wing nuts.

i Note
The Front and Back Panels of the Bagwell must be removed before the Fascia End Panel.



CCP-82898

2. Pull to unclip the Front and Back Panels from the Bagwell Frame.



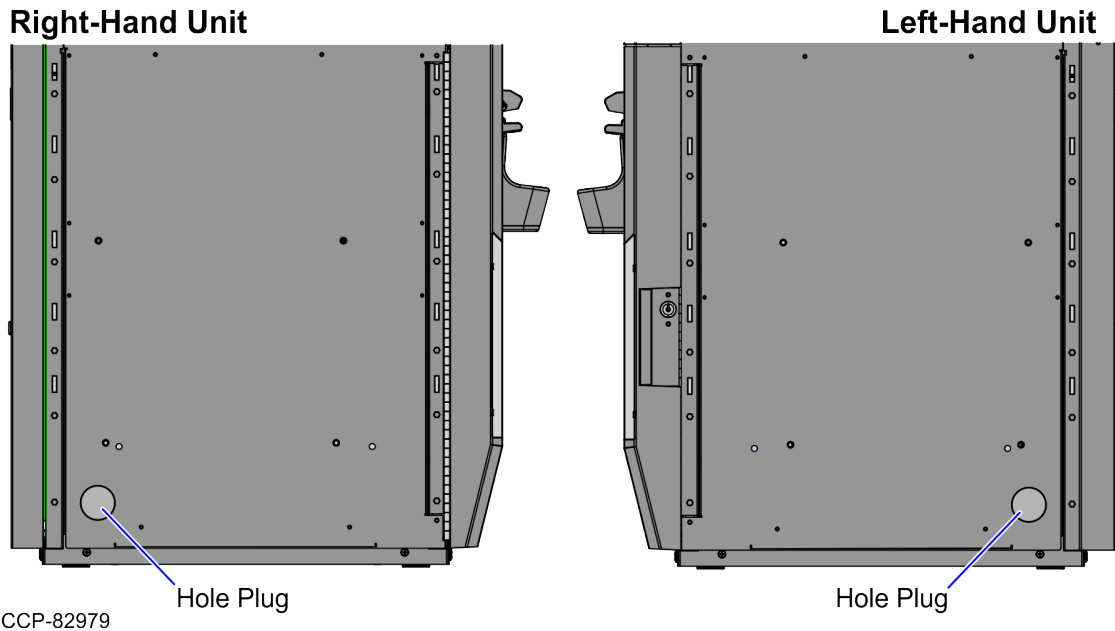
CCP-82890

Confidential and proprietary information of NCR Voyix Corporation.
Unauthorized use, reproduction and/or distribution is strictly prohibited.

Installing Bagwell: 7371 Full Function Self-Checkout

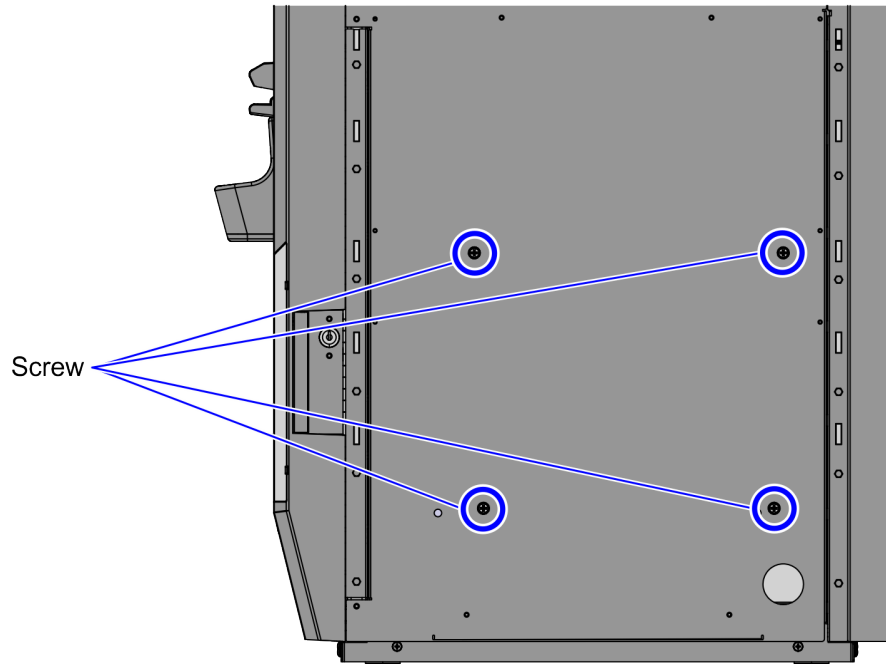
To install the 7371-K001 1 Bagwell (With Scale) to the 7371 Full Function Self-Checkout unit, follow these steps:

1. If installed, remove the Hole Plug from the side of the Core Cabinet where the Bagwell will be installed.



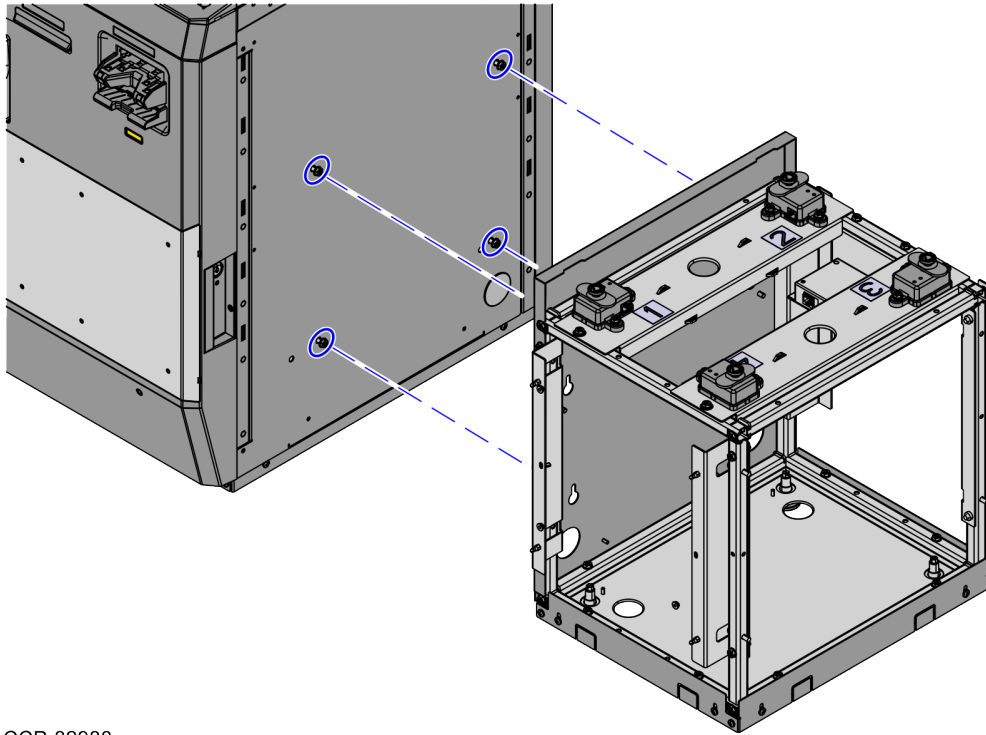
Confidential and proprietary information of NCR Voyix Corporation.
Unauthorized use, reproduction and/or distribution is strictly prohibited.

- Partially insert and thread four (4) screws on the Bagwell-side of the Core Cabinet, as shown in the image below. Leave approximately $\frac{1}{4}$ inch of threads exposed.



CCP-82982

3. Align the holes on the End Panel of the Bagwell with the four (4) screws on the side of the Core Cabinet.

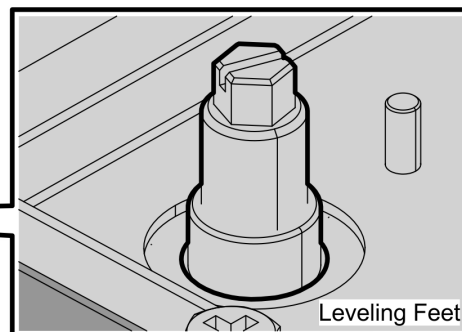
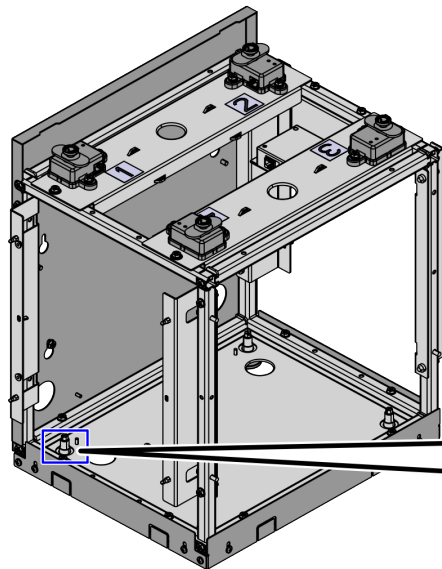


CCP-82988



Note

When necessary, adjust the leveling feet to assist in lining up the Core Cabinet and Bagwell mounting holes.



CCP-82989

Confidential and proprietary information of NCR Voyix Corporation.
Unauthorized use, reproduction and/or distribution is strictly prohibited.

4. Do the following:
 - a. Move the Bagwell beside the Core Cabinet.
 - b. Slightly lift the Bagwell up and over the partially threaded screws.
 - c. Tighten the screws to secure the Bagwell.

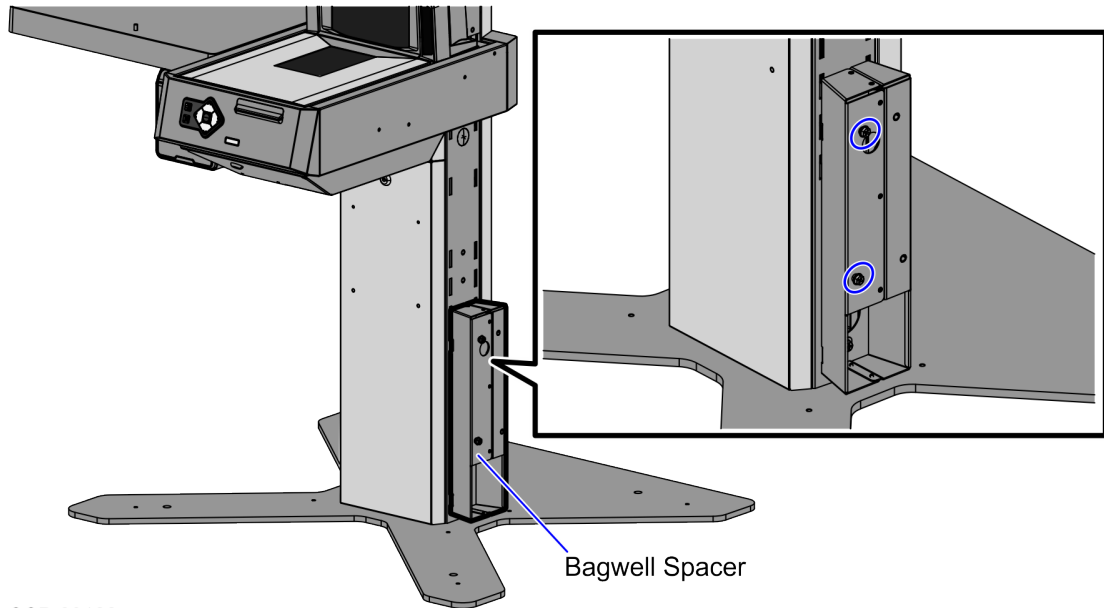
i Note

Ensure that the Bagwell does not wobble or rock by placing your hands and exerting moderate pressure on various parts of the Bagwell. Adjust the Leveling Feet, if necessary.

Installing Bagwell: 7372 Card Only Self-Checkout

To install the 7371-K002 1 Bagwell (No Scale) to the 7372 Card Only Self-Checkout unit, follow these steps:

1. Install the Bagwell Spacer and Stabilizer. For more information, refer to the 7372-K001 Bagwell Spacer (Card Only) Kit Instructions.
2. Partially insert and thread two (2) screws on the Bagwell Spacer, as shown in the image below. Leave approximately $\frac{1}{4}$ inch of threads exposed.

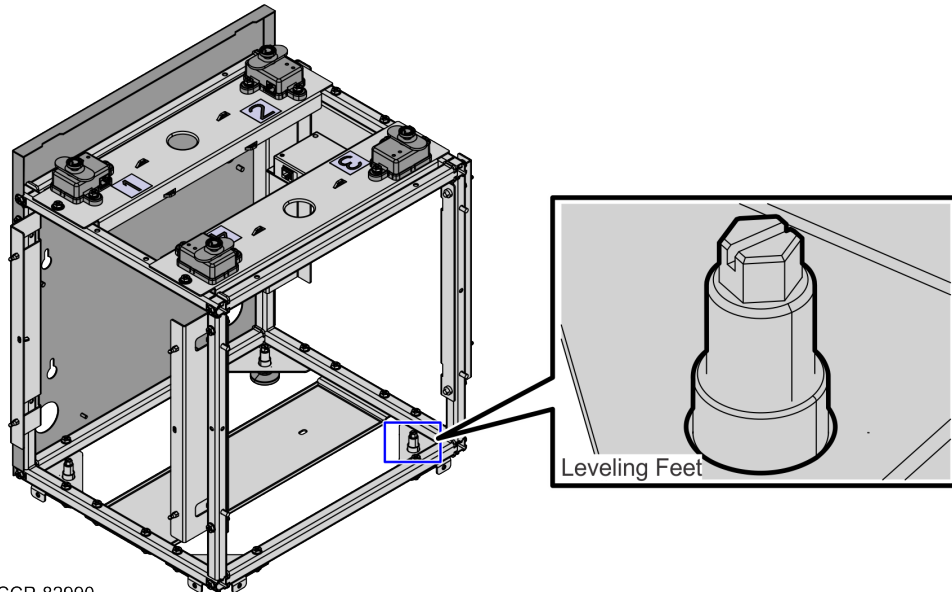


CCP-83122

3. Move the Bagwell beside the Core Cabinet.

i Note

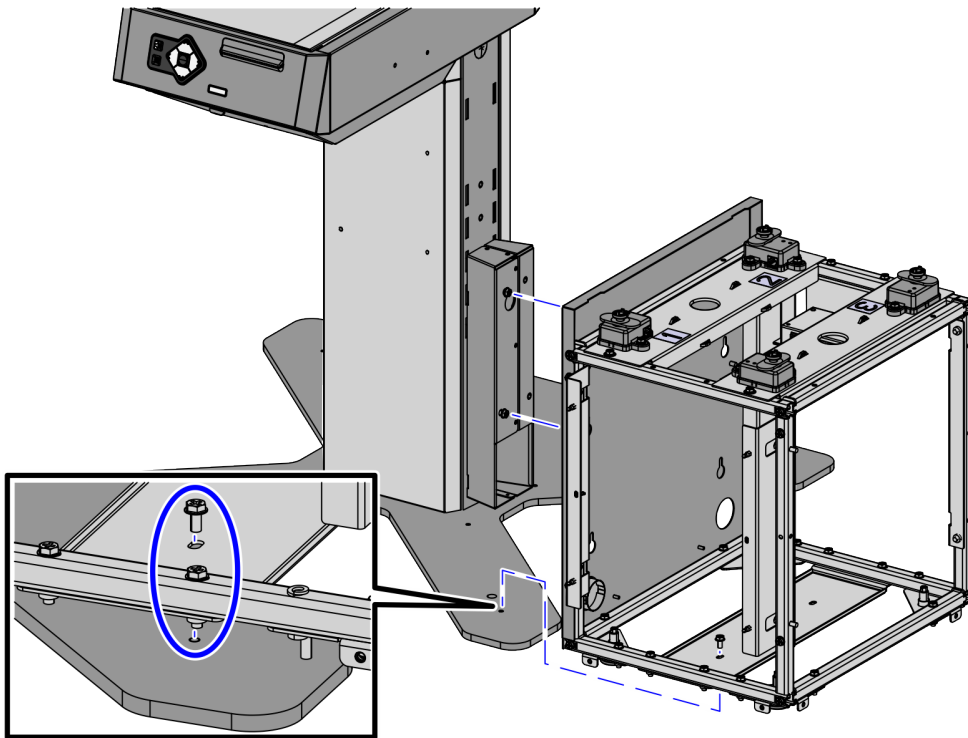
When necessary, adjust the leveling feet to assist in lining up the Bagwell Spacer and Bagwell mounting holes.



Confidential and proprietary information of NCR Voyix Corporation.

Unauthorized use, reproduction and/or distribution is strictly prohibited.

4. Ensure that the hole on the Base Plate and Bagwell Stabilizer are aligned.



CCP-83124

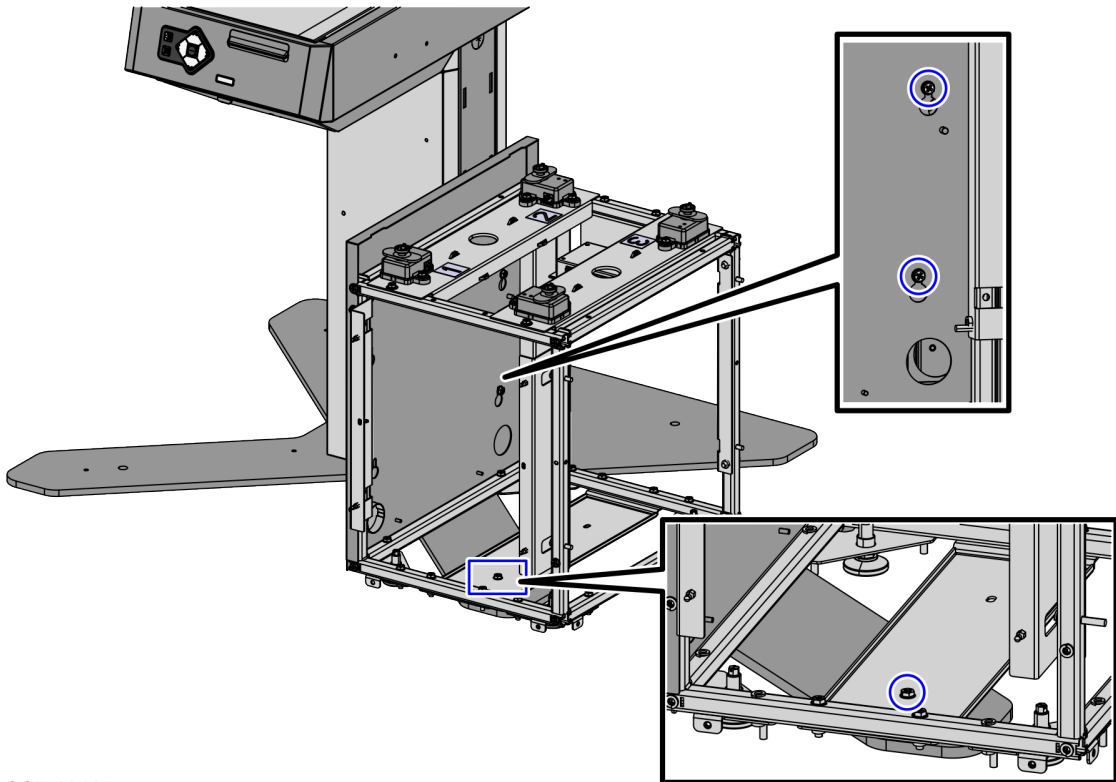
5. Slightly lift the Bagwell up and over the partially threaded screws on the Bagwell Spacer.

Confidential and proprietary information of NCR Voyix Corporation.
Unauthorized use, reproduction and/or distribution is strictly prohibited.

6. Tighten the three (3) screws to secure the Bagwell.

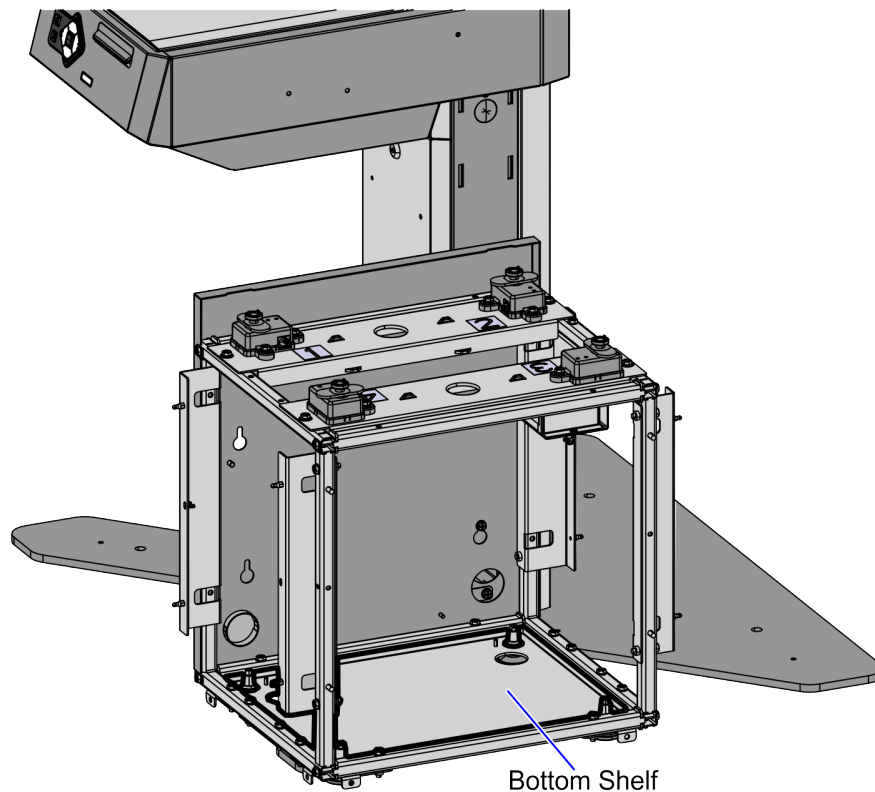
i Note

Ensure that the Bagwell does not wobble or rock by placing your hands and exerting moderate pressure on various parts of the Bagwell. Adjust the Leveling Feet, if necessary.



CCP-83125

7. Place the Bottom Shelf inside the Bagwell, as shown in the image below.



CCP-83128

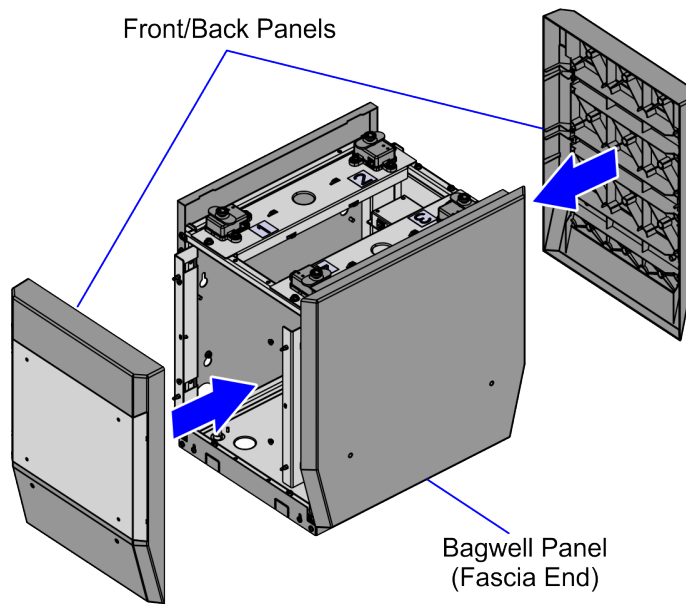
Confidential and proprietary information of NCR Voyix Corporation.
Unauthorized use, reproduction and/or distribution is strictly prohibited.

Installing the Bagwell Panels (Front and Back)

To install the Front and Back panels to the Bagwell Frame, follow these steps:

i Note
This procedure uses images of the Bagwell only for reference.

1. Push the Front and Back Panels onto the Bagwell Frame until each panel clicks and locks into place.

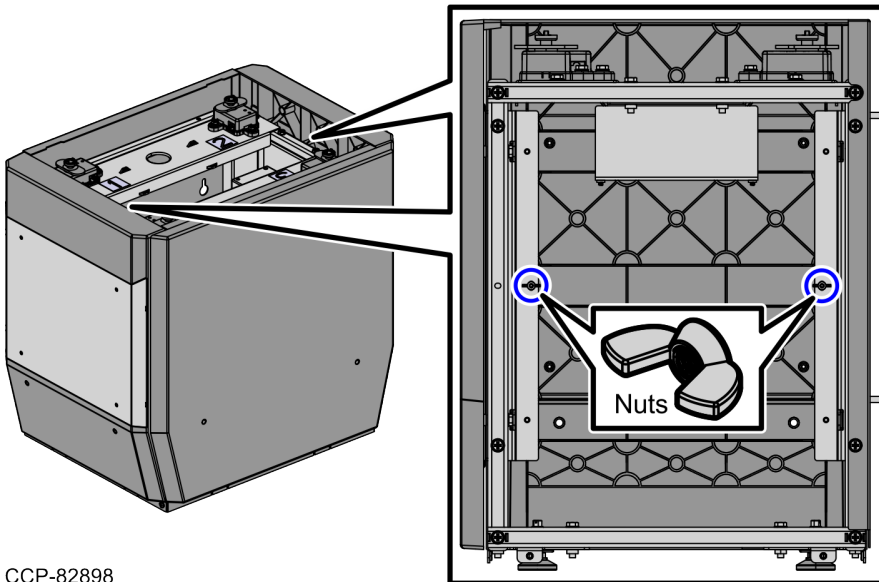


CCP-82976

- Secure each panel to the Bagwell Frame using two (2) nuts from inside the Bagwell, as shown in the image below.

i Note

The Front and Back Panels of the Bagwell must be installed after the Fascia End Panel.



CCP-82898

Confidential and proprietary information of NCR Voyix Corporation.
Unauthorized use, reproduction and/or distribution is strictly prohibited.

Routing Security Scale Controller Cable: 7371 Full Function Self-Checkout

Depending on the orientation of the unit, refer to the following sections:

- [Left-Hand Unit](#)
- [Right-Hand Unit](#)

The NCR Self-Checkout units with a Bagging Area (Bagwell) Module can be configured for either Left-hand (LH) orientation or Right-hand (RH) orientation, which refers to the direction customers scan and bag items.

- **Left-hand (LH) orientation**—Customers scan from left to right.
- **Right-hand (RH) orientation**—Customers scan from right to left.



Note

The orientation of the unit is determined by the position of the Lower Core (Cabinet) Module in relation to the Bagging Area (Bagwell) Module.



Example

The Left-hand (LH) orientation has the unit positioned on the left side of the Bagwell.

Confidential and proprietary information of NCR Voyix Corporation.

Unauthorized use, reproduction and/or distribution is strictly prohibited.

Left-Hand Unit

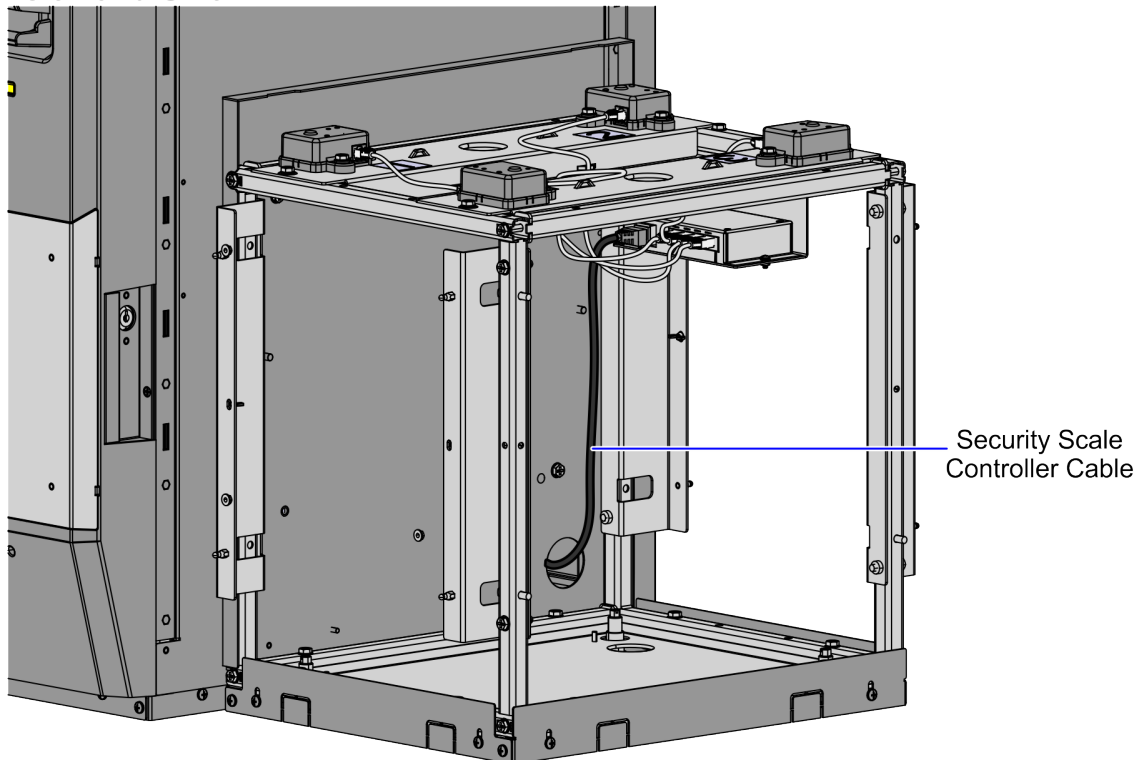
To route the Security Scale Controller Cable in a Left-Hand unit, follow these steps:

1. From the Bagwell, route the cable down and through the side cable access hole and into the unit.

i Note

For illustration purposes, the Bagwell Panel (Fascia End) is not included below to show the cable route.

Left-Hand Unit



CCP-83009

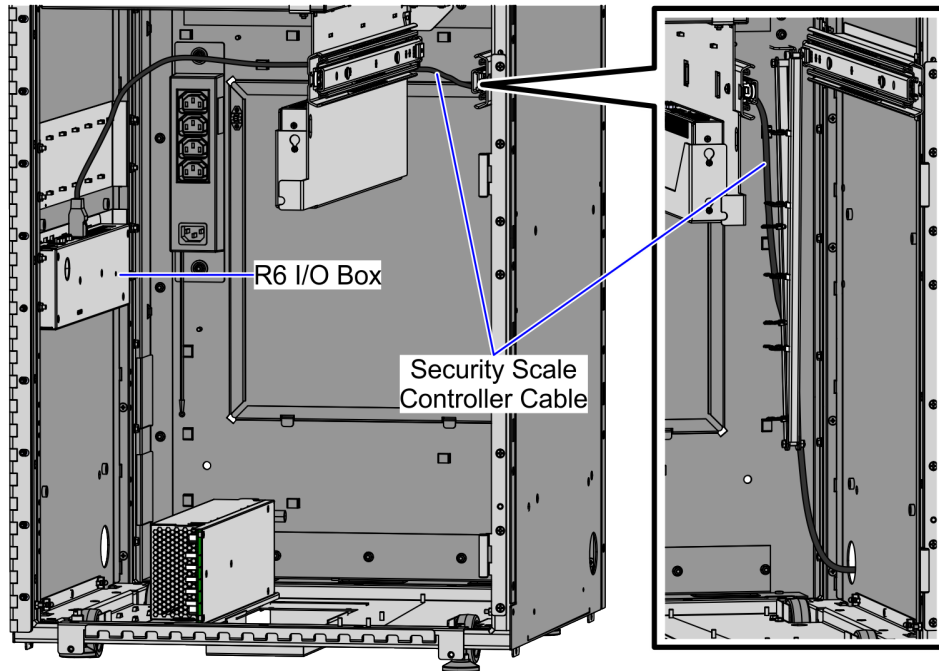
2. Open the Core Cabinet.
3. Do the following:
 - Rack out the Coin Recycler.
 - Rack out the Note Recycler.

Confidential and proprietary information of NCR Voyix Corporation.

Unauthorized use, reproduction and/or distribution is strictly prohibited.

4. From the side cable access hole, route the cable along the cabinet wall and connect to the R6 I/O Box (Port G).

Left-Hand Unit



CCP-83030

5. Tie the cable with the cable bundle along the cabinet wall using zip ties, as shown in the image below.

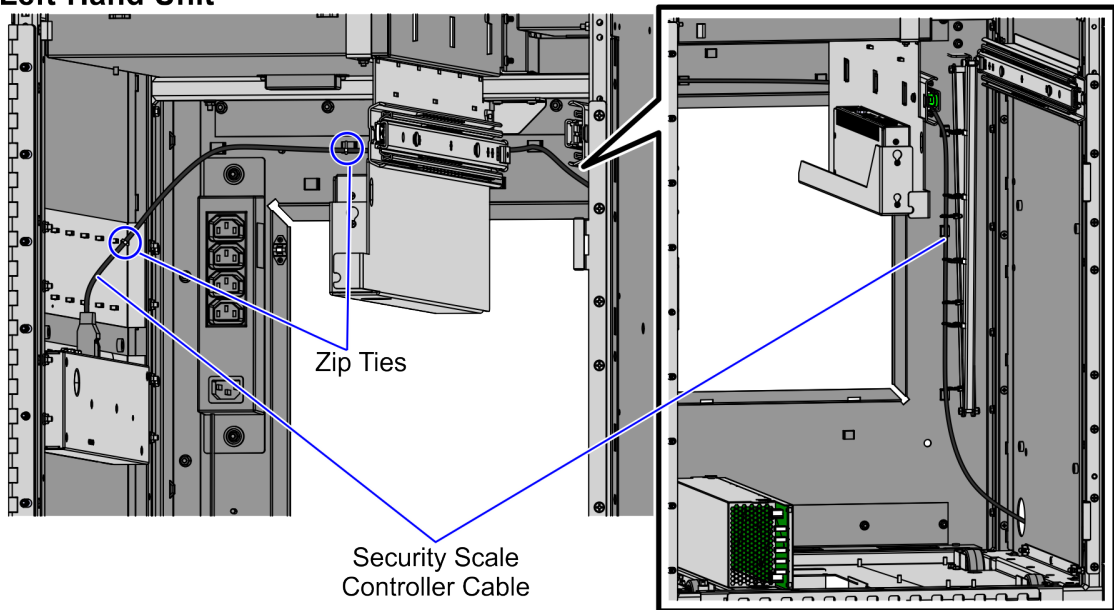
Note

Ensure that there is enough cable slack to avoid cables from being stretched during installation or removal procedures.

Tip

You may open the Back Panel to easily secure the cable with the cable bundle using zip ties.

Left-Hand Unit



CCP-83032

Right-Hand Unit

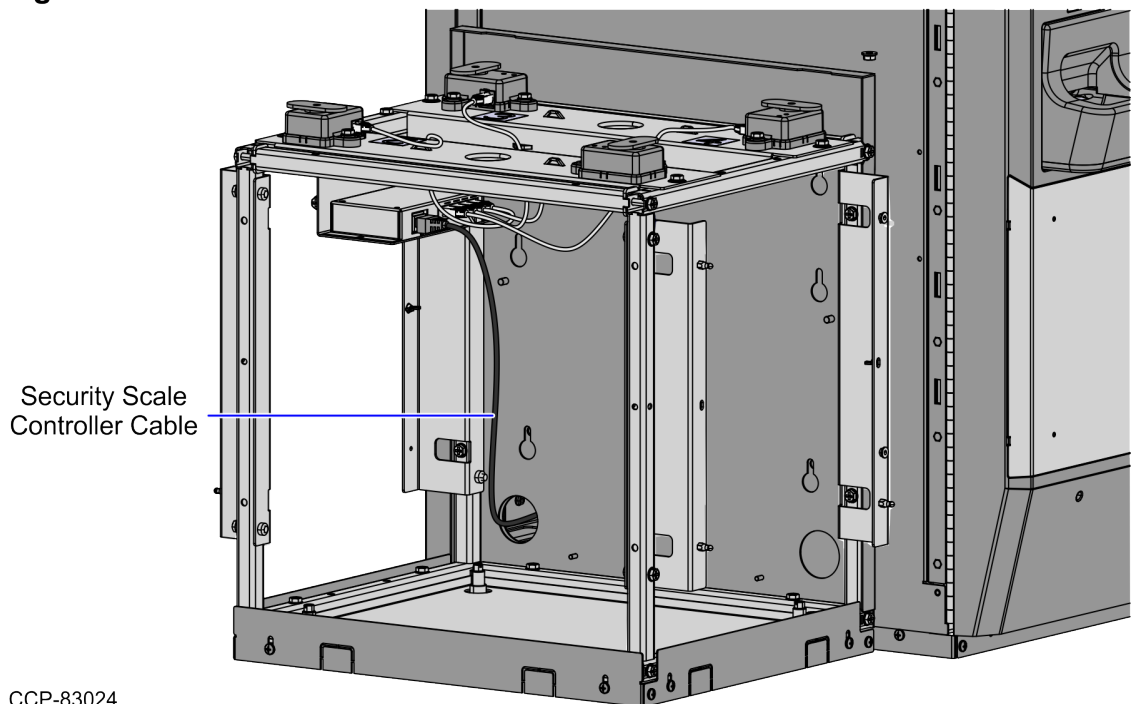
To route the Security Scale Controller Cable in a Right-Hand unit, follow these steps:

1. From the Bagwell, route the cable down and through the side cable access hole and into the unit.

i Note

For illustration purposes, the Bagwell Panel (Fascia End) is not included below to show the cable route.

Right-Hand Unit



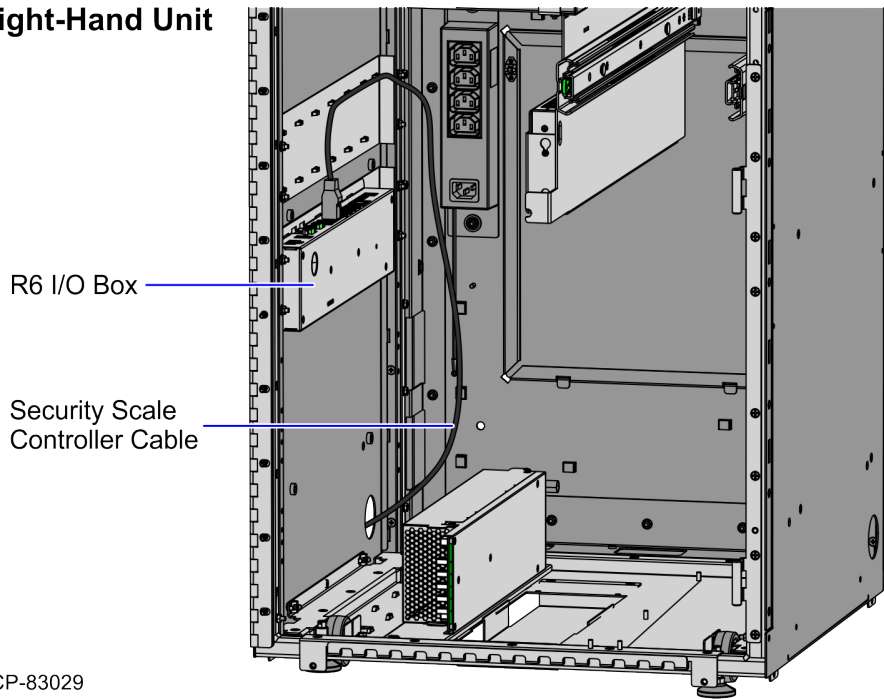
CCP-83024

2. Open the Core Cabinet.
3. Rack out the Coin Recycler.

Confidential and proprietary information of NCR Voyix Corporation.
Unauthorized use, reproduction and/or distribution is strictly prohibited.

4. From the side cable access hole, route the cable along the cable bundle and connect to the R6 I/O Box (Port G).

Right-Hand Unit



CCP-83029

5. Tie the cable with the cable bundle using zip ties, as shown in the image below.

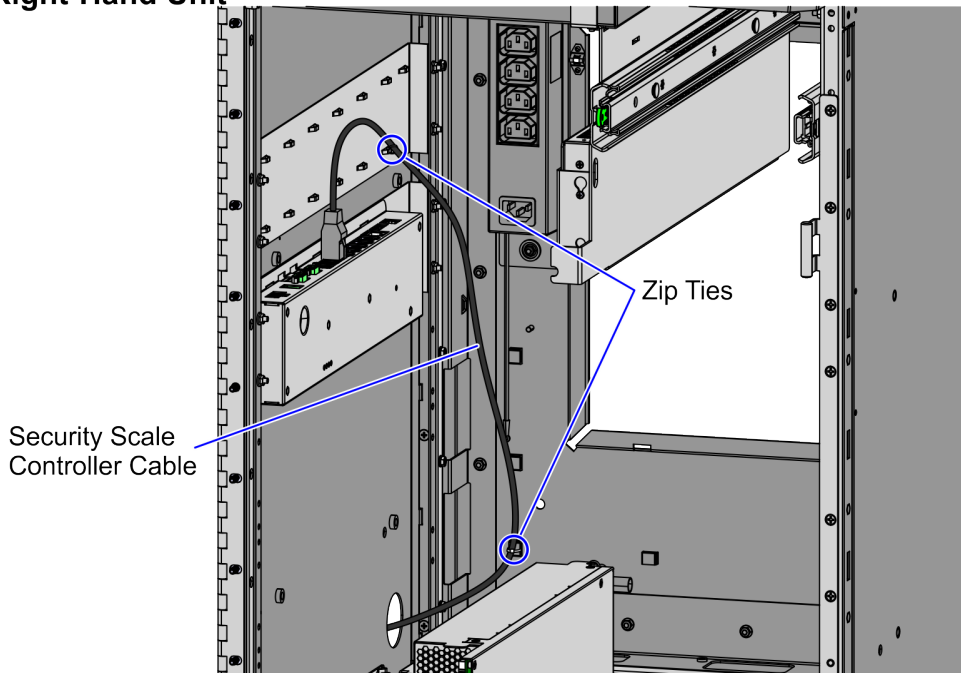
i Note

Ensure that there is enough cable slack to avoid cables from being stretched during installation or removal procedures.

💡 Tip

You may open the Back Panel to easily secure the cable with the cable bundle using zip ties.

Right-Hand Unit



CCP-83031

Routing Security Scale Controller Cable: 7372 Card Only Self-Checkout

Depending on the orientation of the unit, refer to the following sections:

- [Left-Hand Unit](#)
- [Right-Hand Unit](#)

The NCR Self-Checkout units with a Bagging Area (Bagwell) Module can be configured for either Left-hand (LH) orientation or Right-hand (RH) orientation, which refers to the direction customers scan and bag items.

- **Left-hand (LH) orientation**—Customers scan from left to right.
- **Right-hand (RH) orientation**—Customers scan from right to left.



Note

The orientation of the unit is determined by the position of the Lower Core (Cabinet) Module in relation to the Bagging Area (Bagwell) Module.



Example

The Left-hand (LH) orientation has the unit positioned on the left side of the Bagwell.

Confidential and proprietary information of NCR Voyix Corporation.

Unauthorized use, reproduction and/or distribution is strictly prohibited.

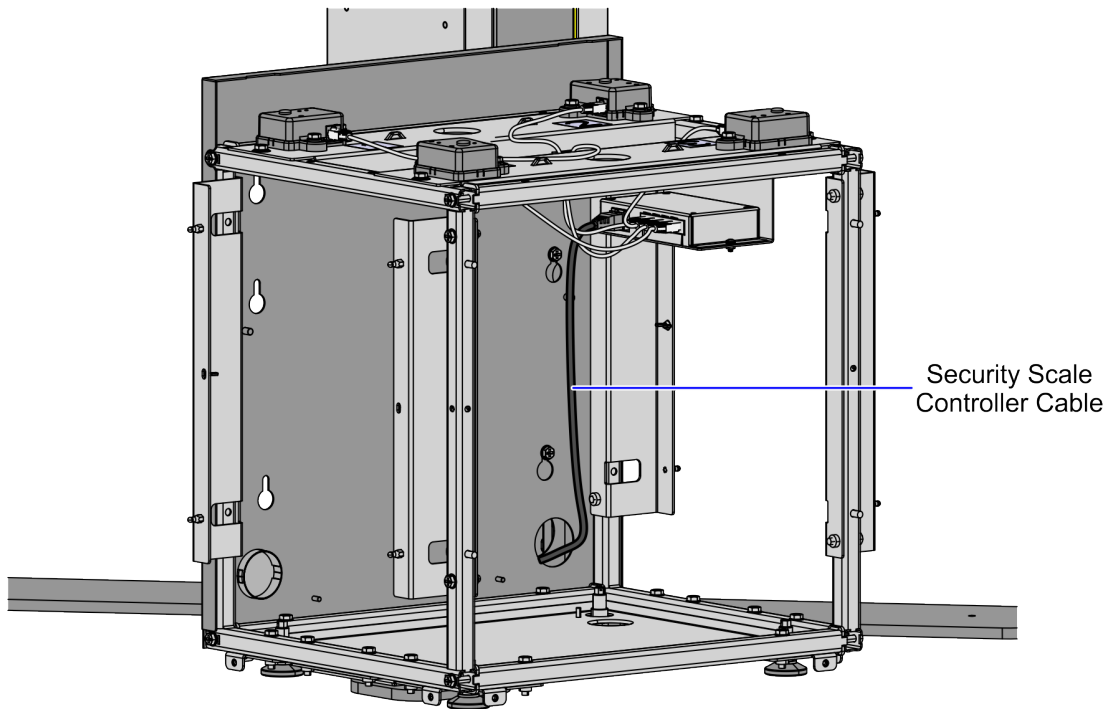
Left-Hand Unit

To route the Security Scale Controller Cable in a Left-Hand unit, follow these steps:

1. From the Bagwell, route the cable down and through the side cable access hole and into the unit.

i Note
For illustration purposes, the Bagwell Panel (Fascia End) is not included below to show the cable route.

Left-Hand Unit

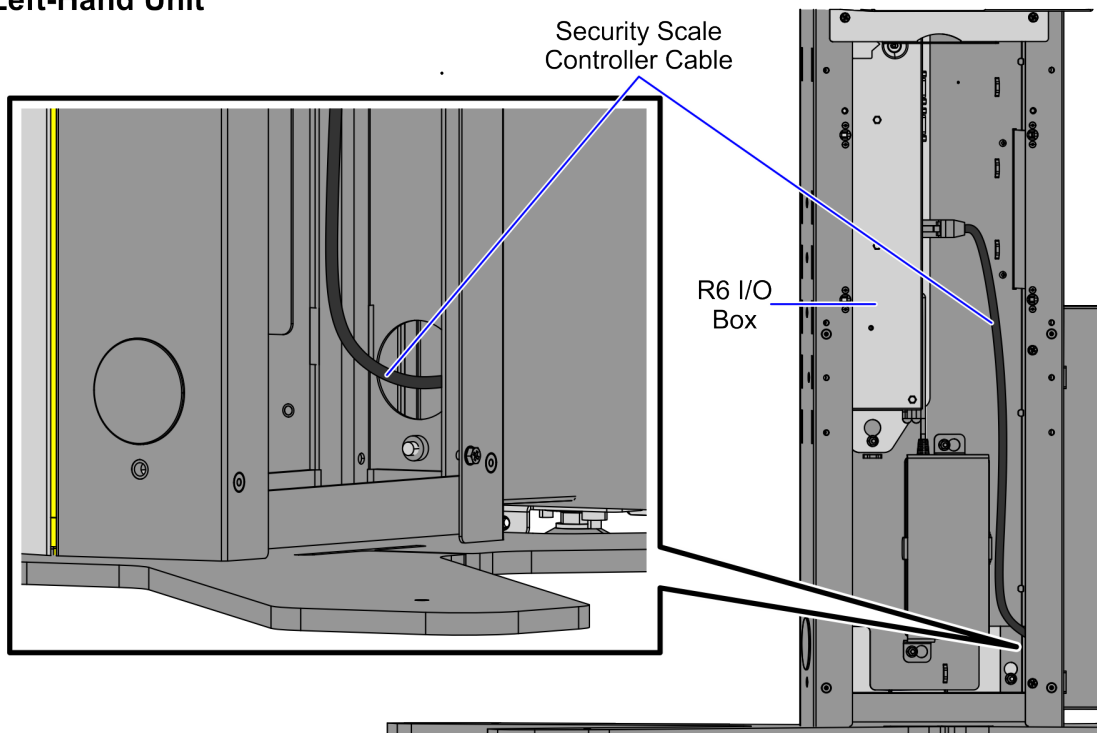


CCP-83008

2. Open the Pedestal Cabinet.

3. From the side cable access hole, route the cable along the cabinet wall and connect to the R6 I/O Box (Port G).

Left-Hand Unit



CCP-83034

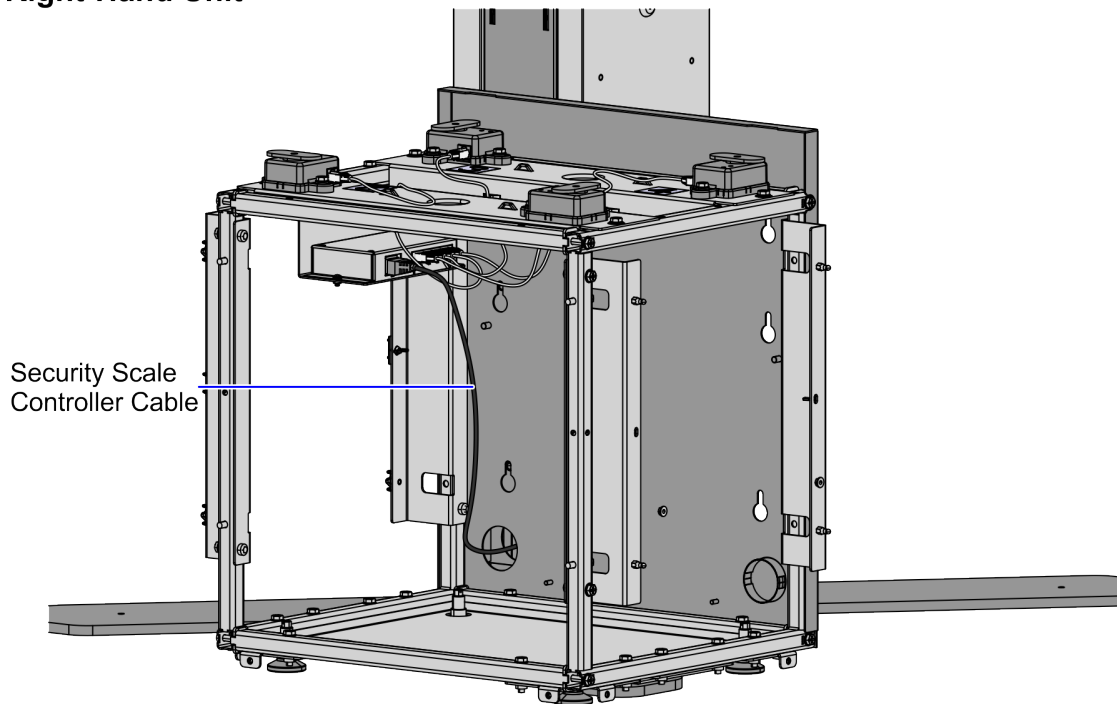
Right-Hand Unit

To route the Security Scale Controller Cable in a Right-Hand unit, follow these steps:

1. From the Bagwell, route the cable down and through the side cable access hole and into the unit.

i Note
For illustration purposes, the Bagwell Panel (Fascia End) is not included below to show the cable route.

Right-Hand Unit

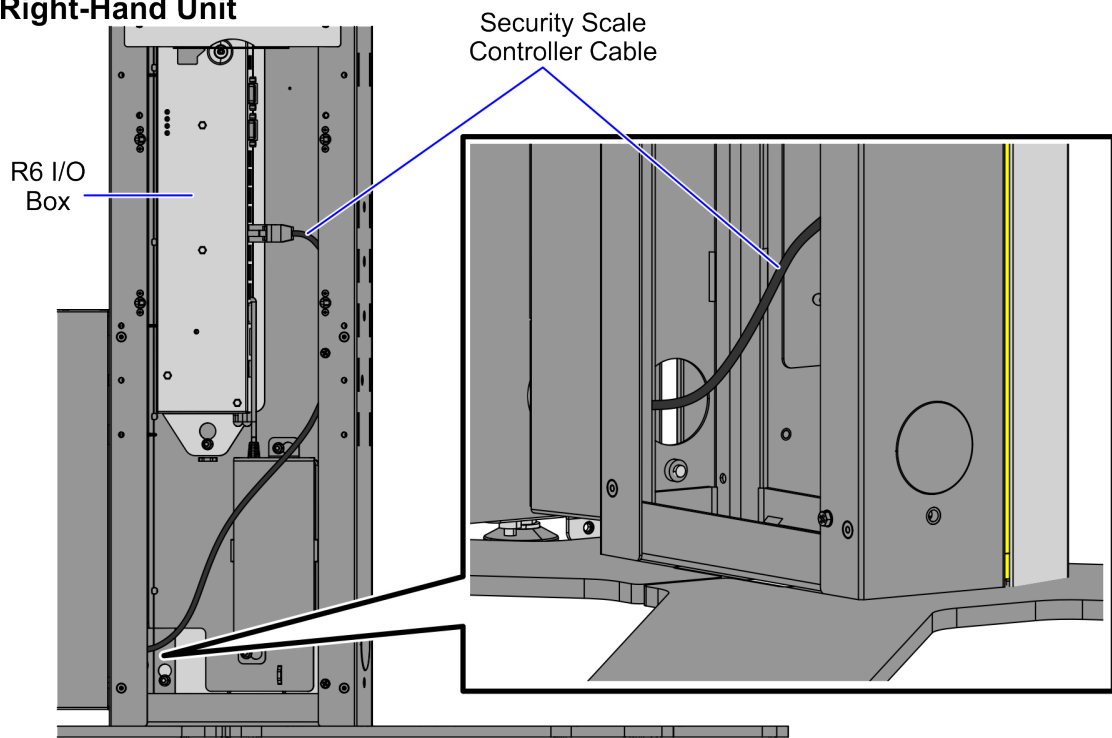


CCP-83025

2. Open the Pedestal Cabinet.

- From the side cable access hole, route the cable along the cabinet wall and connect to the R6 I/O Box (Port G).

Right-Hand Unit



CCP-83033

Confidential and proprietary information of NCR Voyix Corporation.
Unauthorized use, reproduction and/or distribution is strictly prohibited.

Calibrating the Security Scale

The Security Scale must be calibrated with the required measurement units (pounds or kilograms) after a new installation, or if the system has been moved to a new location.

i Note
Before performing a zero-weight calibration on the Security Scale ensure that the Backsplash is installed.

Zero-Weight Calibration or Soft Calibration should be performed any time the hardware infrastructure of the Security Scale Tray is changed such as in the following instances:

- Screws were tightened.
- Scale Pods or the Security Scale Controller were replaced.
- The bagging platform changed.
- A Bagwell Fence is added.

i Note
For more information, refer to the 7371-K004 Bagwell Fence.

To perform a zero-weight calibration on the Security Scale, follow these steps:

i Note
Remove any products that are placed on the scale.

1. Access Profile Manager to display the Profile Manager screen. Each device is displayed on the screen.

i Note
A USB key, ID, and password are required.

2. Select **Scale**. The Scale parameters are displayed in a new window.
3. From the Scale window, select **BagScaleFlintec**. The Scale health check window is displayed.

Health Check: Scale using RegistryProfile NCR_Bag

Service Object Description: NCR Flintec Scale SO: (c) 2016 NCR
 Service Object Version: Version 1.14.24 Internal: V173 040417
 Device Name: Security Scale
 Device Description: NCR 7350 Scale , Pods=3S_37pt5LB
 Software Build Version: 11.5.289.1 Reg Config Units: Pound
 Firmware Versions. Main: 497-0474615 Boot: 497-0465768
 Load Cells. Expected: 4 Detected: 4
 Sample Rate: 87 CKH3 Rate(ms): 150
 Controller Serial Number: 81-10293911
 Pods Serial Number: P1:01239513 P2:01235070 P3:01237195 P4:01237045
 Pods Model P1:497-0511500A P2:497-0511500A P3:497-0511500A P4:497-0511500A
 Pods Capacity: P1:37.5 P2:37.5 P3:37.5 P4:37.5
 Pods Resistance: P1:350.89999 P2:350.92001 P3:350.88000 P4:350.89999
 Pods Sensitivity: P1:0.900170 P2:0.900240 P3:0.900100 P4:0.900050
 Pods Status at Init: Known: 4 3S 37.5LB loadcells (3S Ver3: Locktight Screw + new Manuf Calib)

Live Weight:

Status:

Last Stable Weight:

Stable Time (seconds):

Load Cell Status:

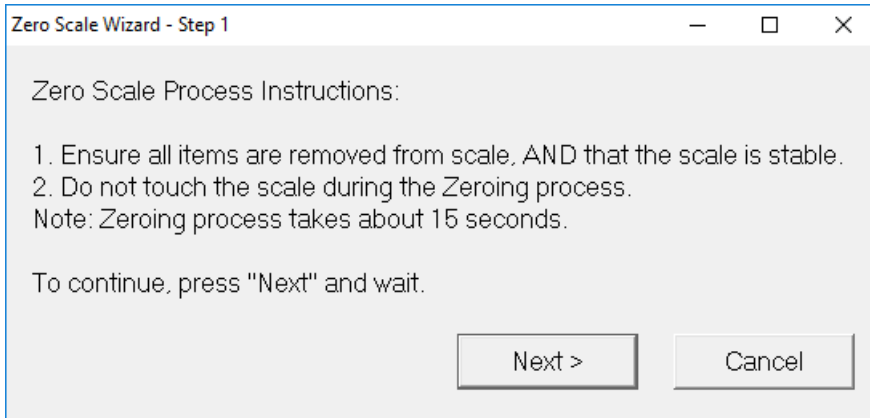
i Note

The Scale Health Check window shows the Version, the unit of measure as defined during the Self-Checkout installation, the expected and detected number of load cells, and the serial numbers for the load cell pods.

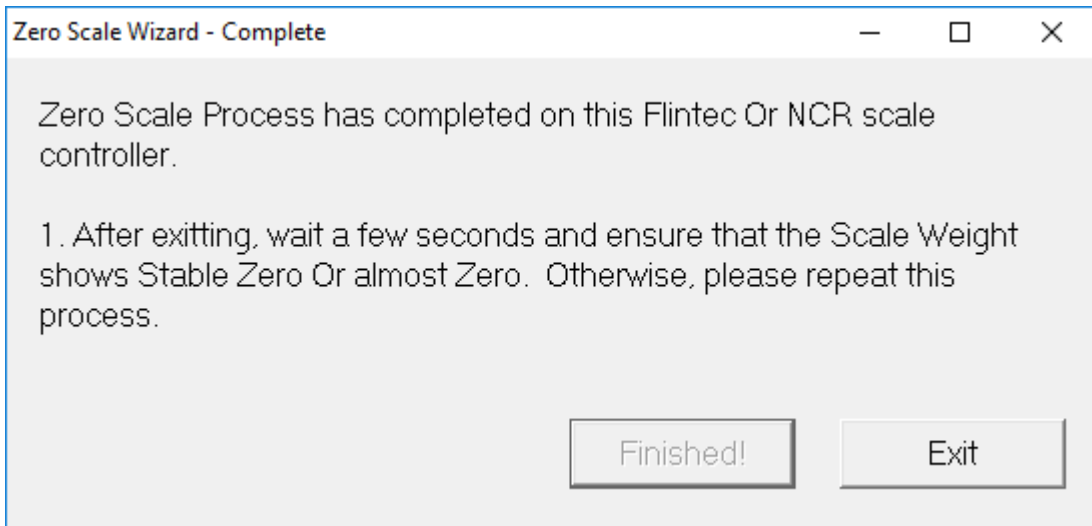
Confidential and proprietary information of NCR Voyix Corporation.

Unauthorized use, reproduction and/or distribution is strictly prohibited.

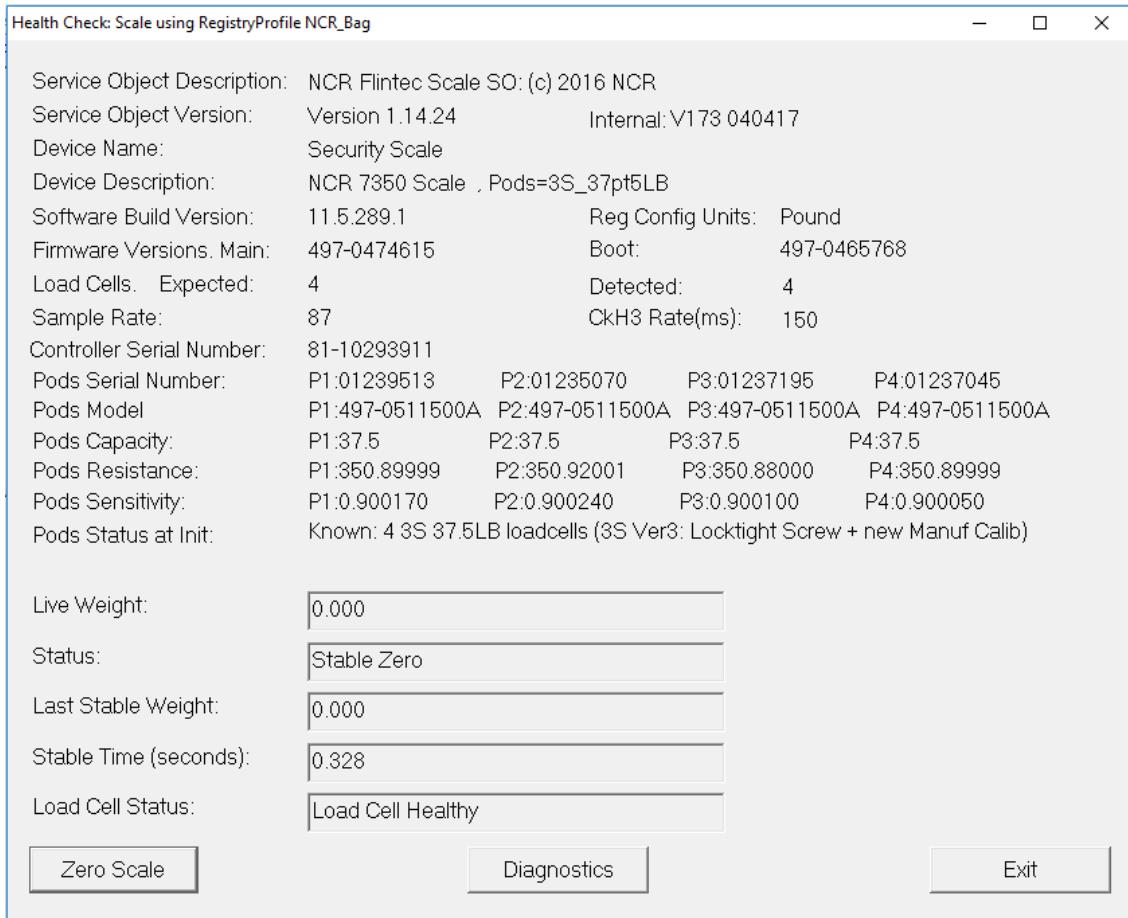
4. Select **Zero Scale** to calibrate the Bag Scale. Since this is a zero weight calibration, no weights should be on the scale.



5. Select **Next** to complete the process. The following window is displayed.



6. Select **Exit**. The window shows 0.000 in the Live Weight and Last Stable Weight fields, and Stable Zero in the Status field.



7. Select **Exit** to close the window.