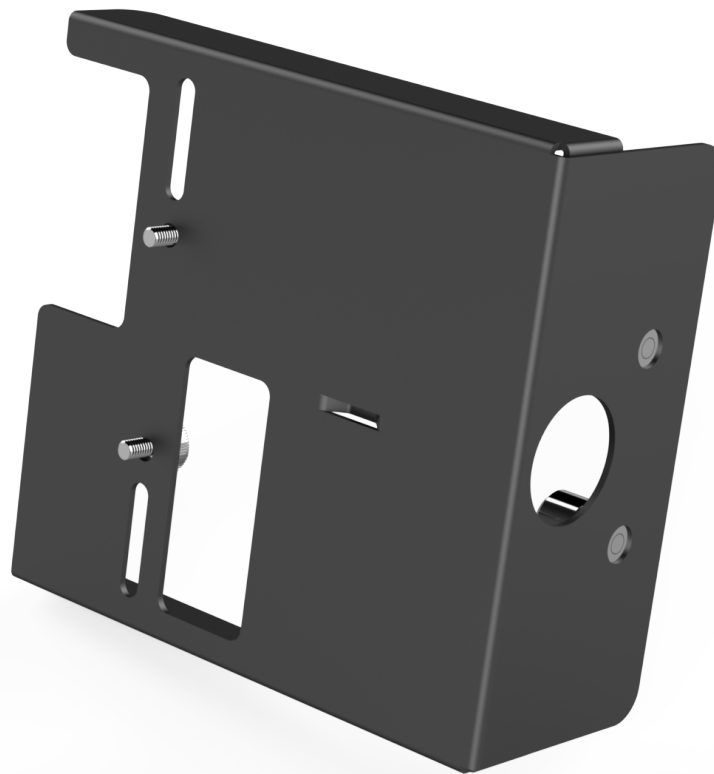


Kit Instructions

Handheld Scanner Arm



7370-K892
Issue A



The product described in this document is a licensed product of NCR Corporation.

NCR is a registered trademark of NCR Corporation. NCR FastLane SelfServ™ Checkout is a trademark of NCR Corporation in the United States and/or other countries. Other product names mentioned in this publication may be trademarks or registered trademarks of their respective companies and are hereby acknowledged.

The terms HDMI and HDMI High-Definition Multimedia Interface, and the HDMI Logo are trademarks or registered trademarks of HDMI Licensing LLC in the United States and other countries.

Where creation of derivative works, modifications or copies of this NCR copyrighted documentation is permitted under the terms and conditions of an agreement you have with NCR, NCR's copyright notice must be included.

It is the policy of NCR Corporation (NCR) to improve products as new technology, components, software, and firmware become available. NCR, therefore, reserves the right to change specifications without prior notice.

All features, functions, and operations described herein may not be marketed by NCR in all parts of the world. In some instances, photographs are of equipment prototypes. Software screen images are representative, and in some cases, may not match a customer's installed software exactly. Therefore, before using this document, consult with your NCR representative or NCR office for information that is applicable and current.

Copyright © 2022
By NCR Corporation
Global Headquarters
864 Spring St NW
Atlanta, GA 30308
U.S.A.
All Rights Reserved

Revision Record

Issue	Date	Remarks
A	May 2022	First Issue

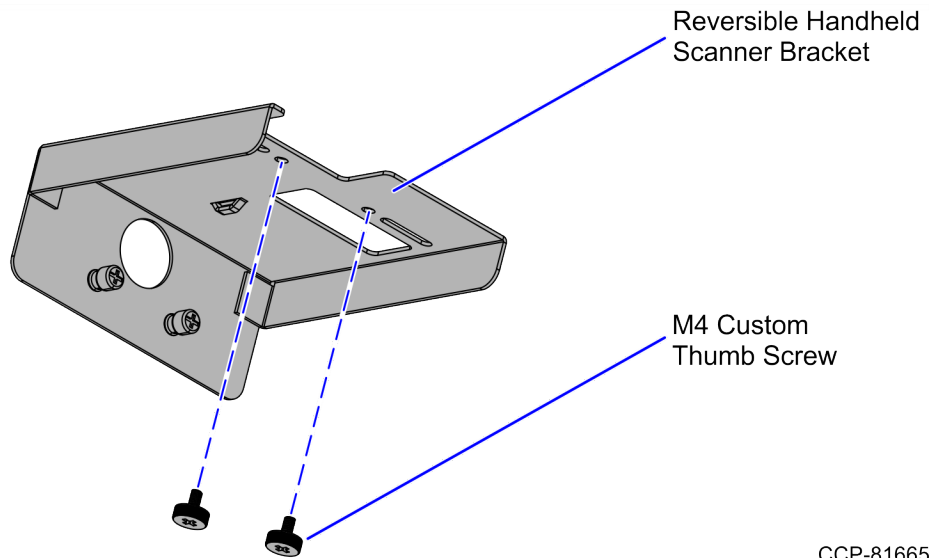
7370-K892 Handheld Scanner Arm

This publication provides procedures for installing a Handheld Scanner Arm on the NCR FastLane SelfServ™ Checkout (7370) unit.



Note: The Handheld Scanner is supplied by the customer.

Kit Contents

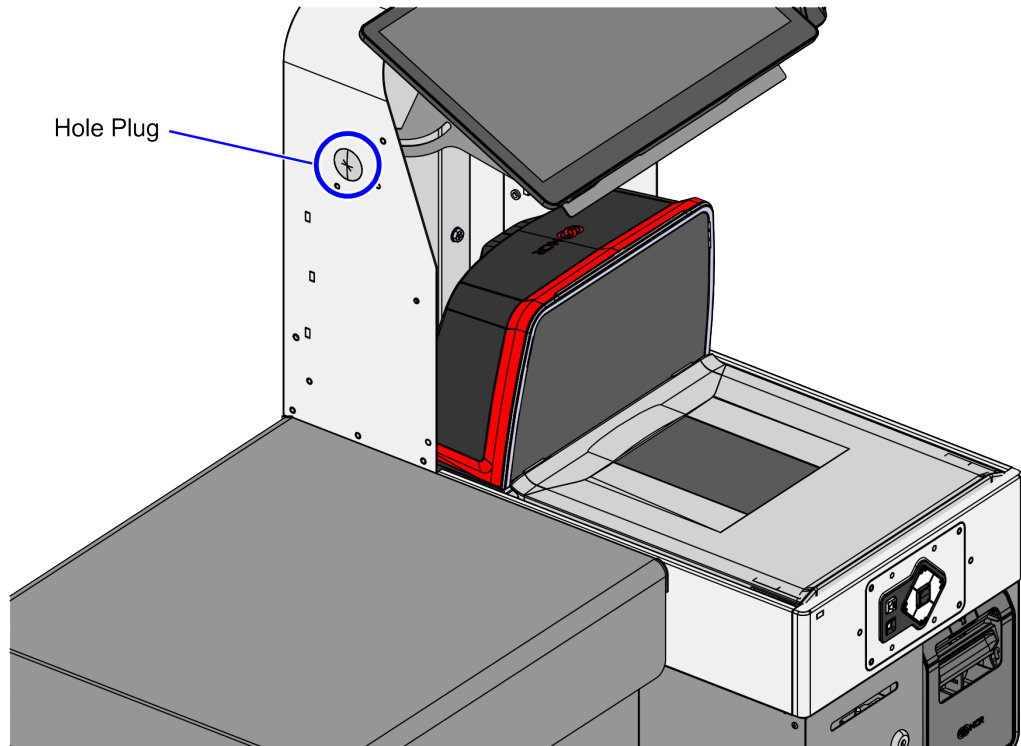


Part Number	Description
497-0532294	Handheld Scanner Arm Kit
497-0532288	Reversible Handheld Scanner Bracket
497-0530469	M4 x 7 Custom Thumbscrew, Knurled Head, Phillips Drive (2 pcs)
* 497-0423108	Kit Instructions (Reference Sheet)

Installation Procedure

To install the Handheld Scanner Arm, follow these steps:

1. Do either of the following:
 - a. If the unit does not have an existing Handheld Scanner Arm, remove the blanking plate, as shown in the image below.



CCP-82433

- b. If the unit has an existing Handheld Scanner Arm, do the following:
 - Remove the Handheld Scanner Base Dock. For more information, refer to [Removing the Handheld Scanner Base Dock](#) on the facing page.
 - Remove the Handheld Scanner Bracket. For more information, refer to [Removing the Handheld Scanner Bracket](#) on page 6.
 2. Install the Handheld Scanner Bracket. For more information, refer to [Installing the Handheld Scanner Bracket](#) on page 7.
 3. Route the Handheld Scanner Cable. For more information, refer to [Routing the Handheld Scanner Cable](#) on page 9.
 4. Install the Handheld Scanner Base Dock. For more information, refer to [Installing the Handheld Scanner Base Dock](#) on page 12.

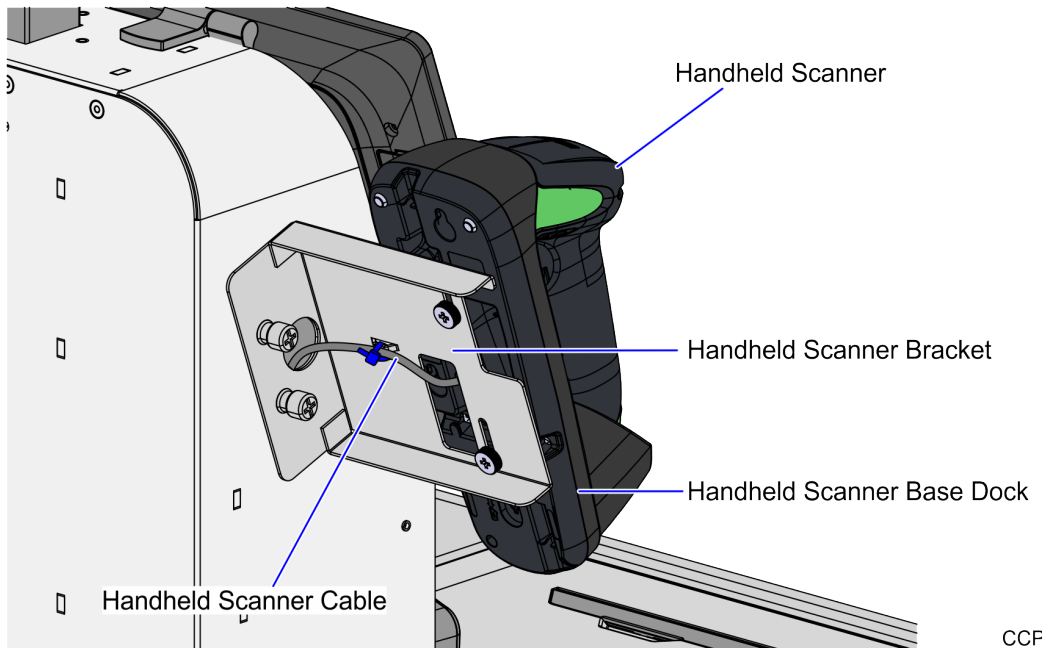
Removing the Handheld Scanner Base Dock

To remove the Handheld Scanner Base Dock, follow these steps:

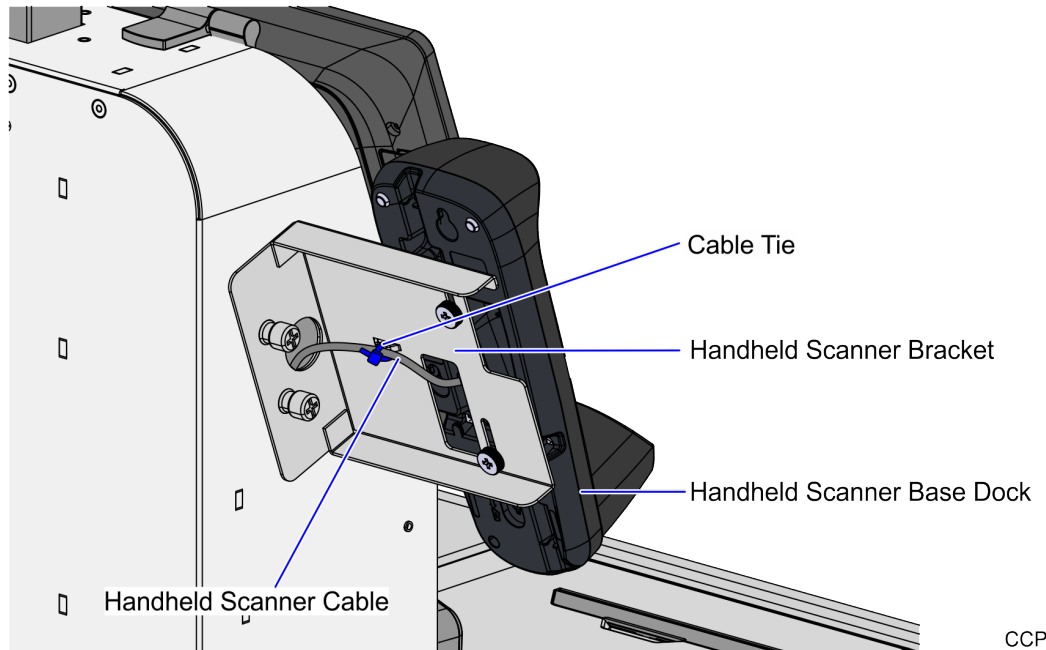


Note: The Handheld Scanner Bracket can be installed on either side of the Tower Cabinet depending on the orientation of the SelfServ Checkout unit. By default, the bracket is installed on the left side of the Tower Cabinet.

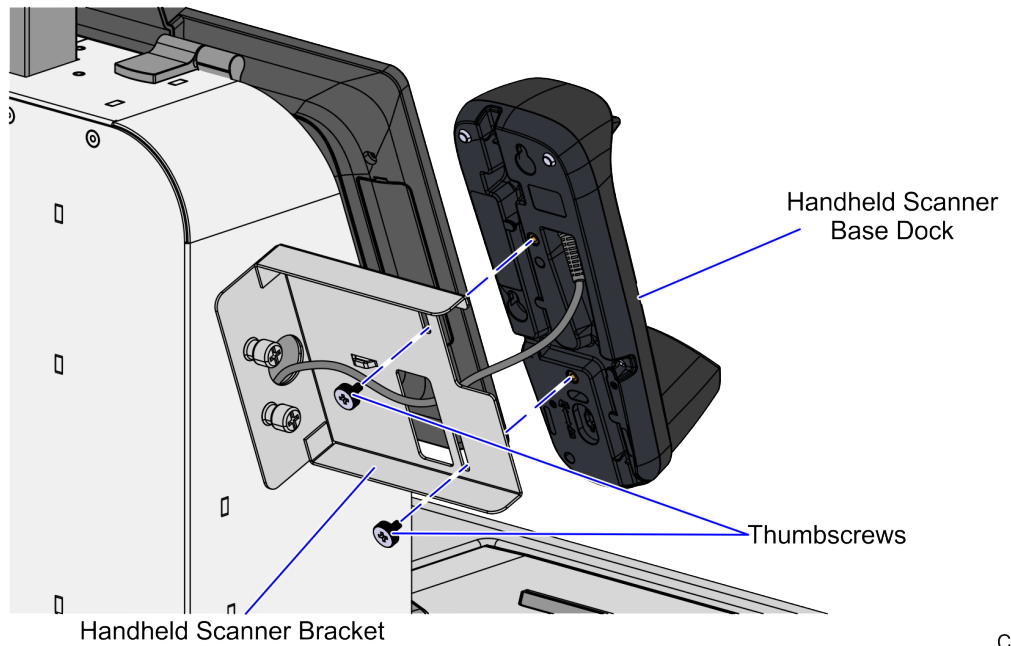
1. Remove the Handheld Scanner from the base dock.



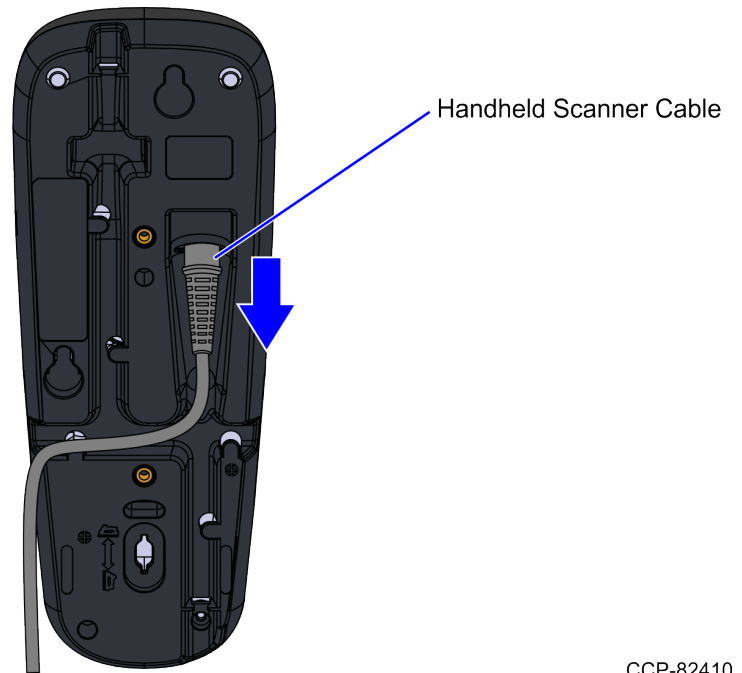
2. Remove the cable tie to detach the cable from the bracket.



3. Remove two (2) thumbscrews to detach the base dock from the bracket.



4. Disconnect the Handheld Scanner Cable from the base dock.



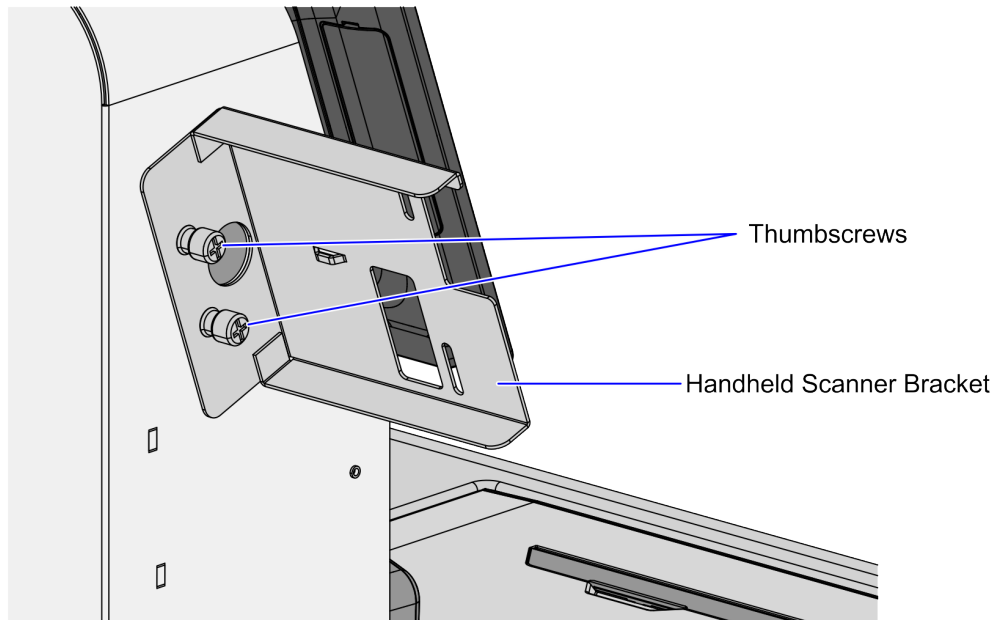
Removing the Handheld Scanner Bracket

To remove the Handheld Scanner Bracket, follow these steps:



Note: The Handheld Scanner Bracket can be installed on either side of the Tower Cabinet depending on the orientation of the SelfServ Checkout unit. By default, the bracket is installed on the left side of the Tower Cabinet.

1. If necessary, remove the base dock from the bracket. For more information, refer to [Removing the Handheld Scanner Base Dock](#) on page 3.
2. Loosen two (2) thumbscrews to detach the bracket from the Tower Cabinet, as shown in the image below.



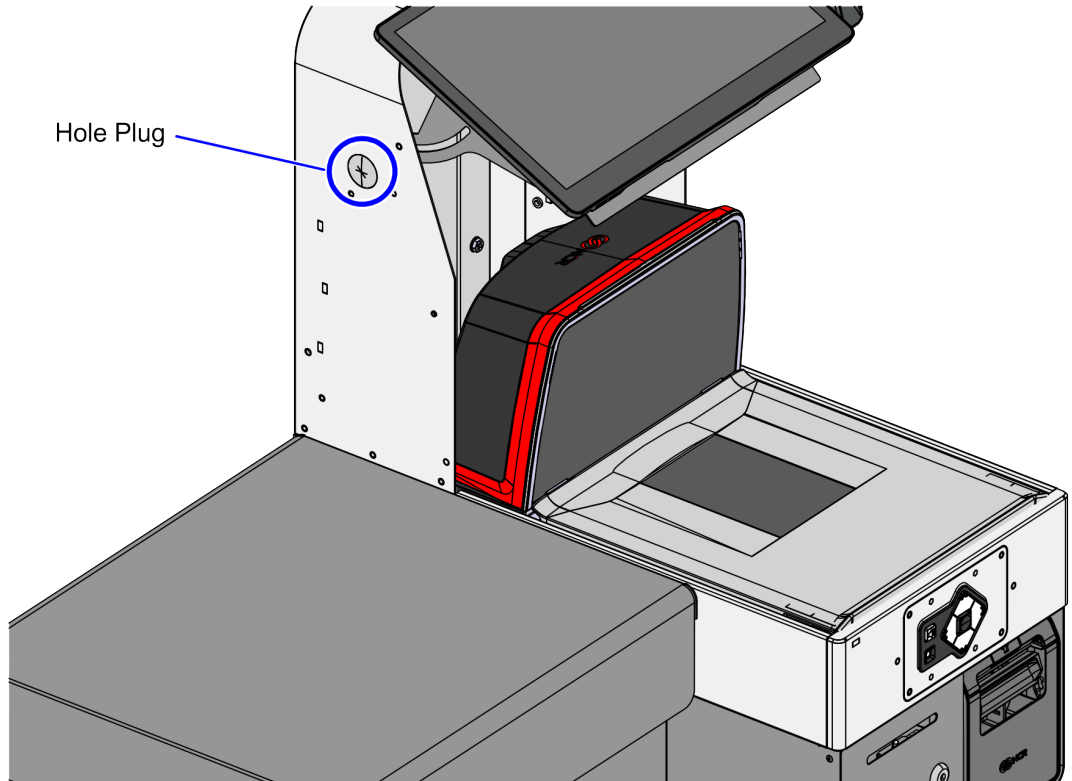
Installing the Handheld Scanner Bracket

To install the Handheld Scanner Bracket on the Tower Cabinet, follow these steps:



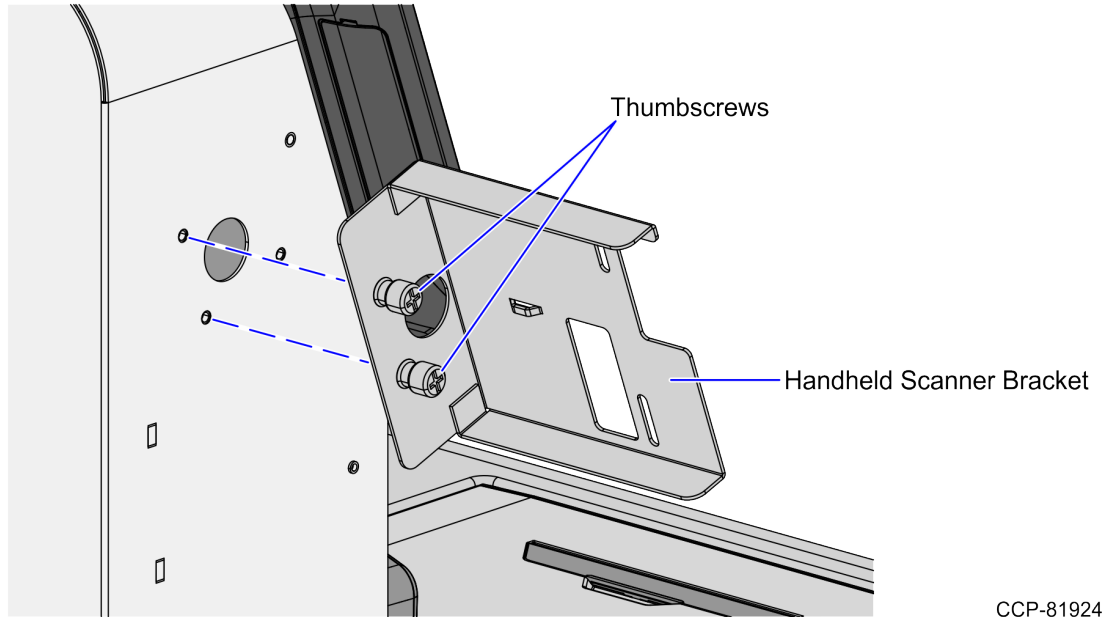
Note: The Handheld Scanner Bracket can be installed on either side of the Tower Cabinet depending on the orientation of the SelfServ Checkout unit. By default, the bracket is installed on the left side of the Tower Cabinet.

1. If necessary, remove the blanking plate, as shown in the image below.



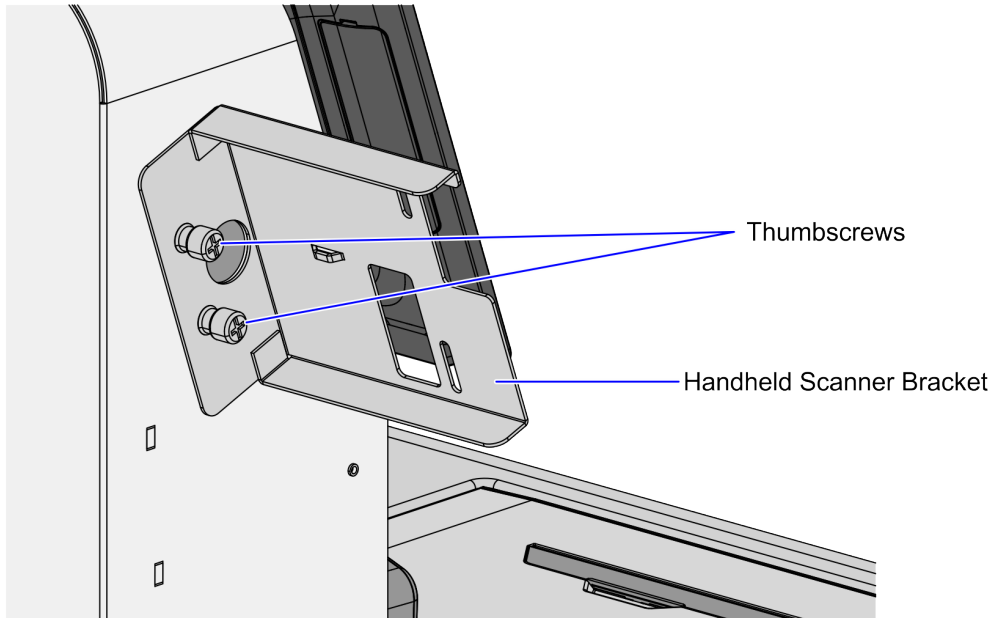
CCP-82433

2. Align the bracket with the corresponding holes on the Tower Cabinet.



CCP-81924

3. Tighten two (2) thumbscrews to secure the bracket to the Tower Cabinet.



CCP-81923

Routing the Handheld Scanner Cable

To route the Handheld Scanner Cable into the SelfServ Checkout unit, follow these steps:

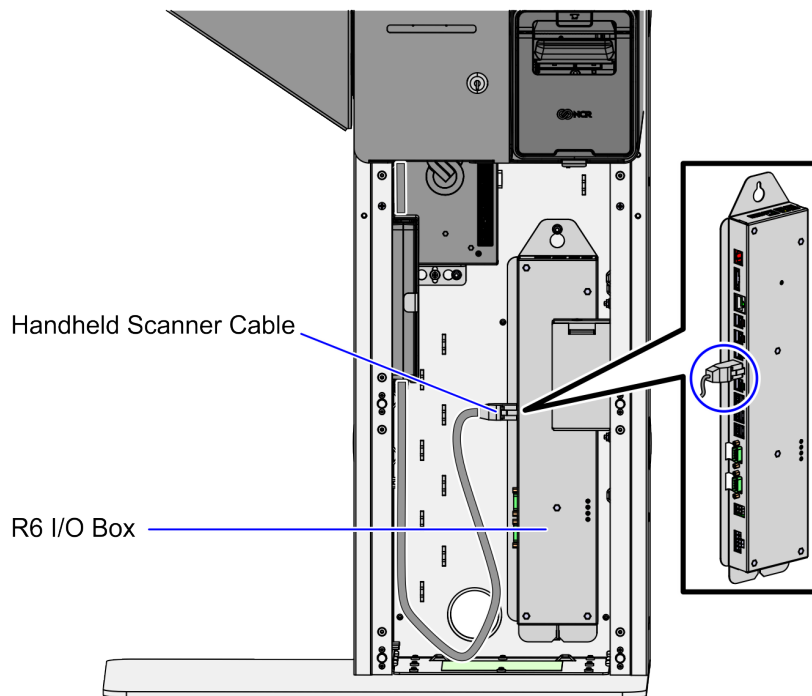


Note: The Handheld Scanner Bracket can be installed on either side of the Tower Cabinet depending on the orientation of the SelfServ Checkout unit. By default, the bracket is installed on the left side of the Tower Cabinet.

1. Do the following:
 - a. Connect the Handheld Scanner Cable to the R6 I/O Box (USB G (+12V)).
 - b. Route the cable on the side of the Pedestal Cabinet and up into Tower Cabinet.




Note: Keep the Handheld Scanner Cable (and other communications cables) away from and not bundled with AC power cables.




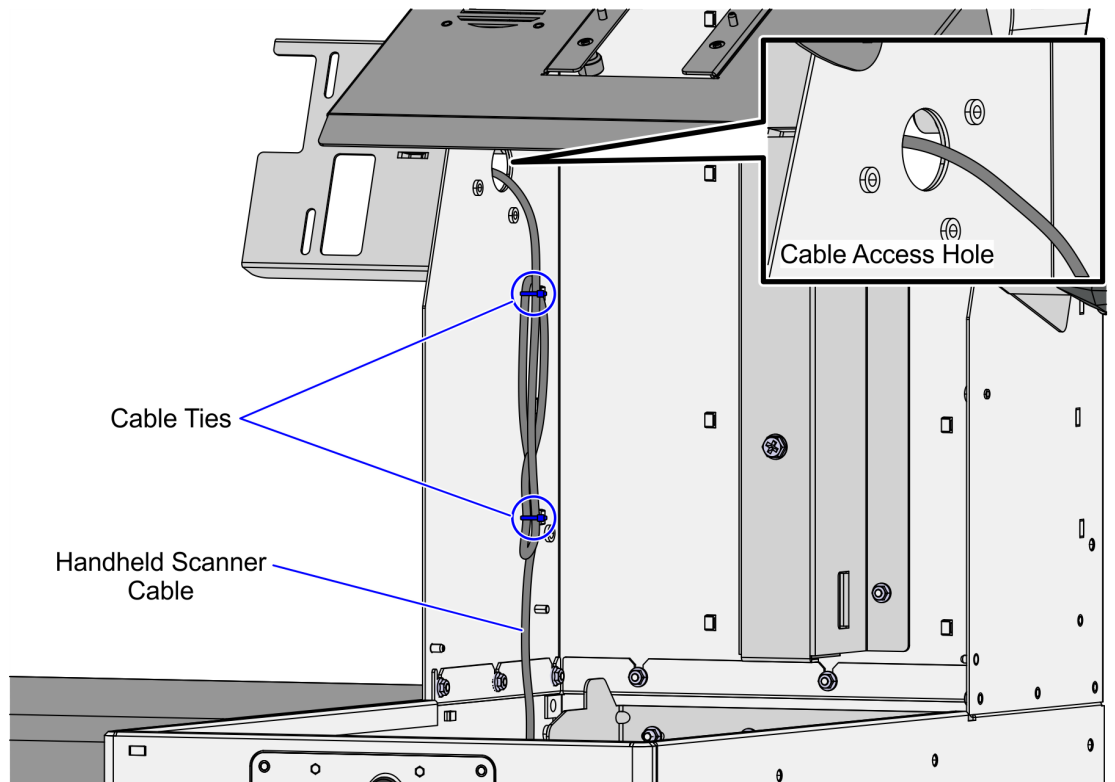
CCP-81929

2. Continue to route the cable up and through the back of the Scanner Bucket.

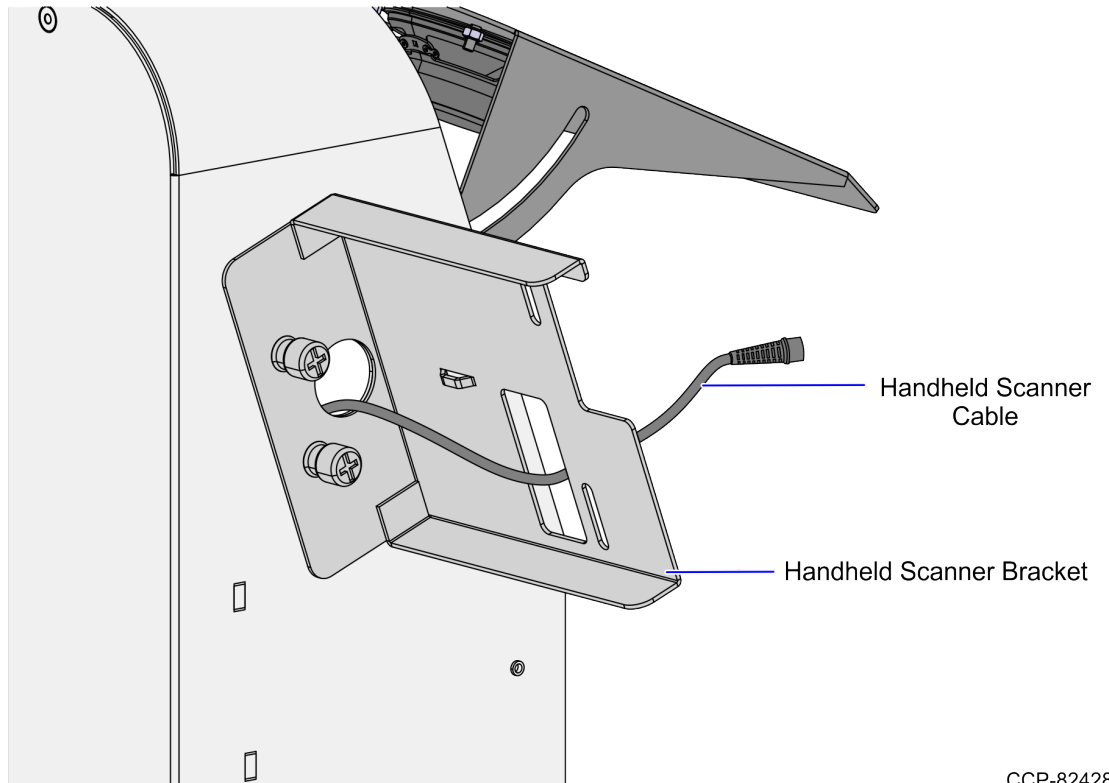
3. Do the following:
 - a. From the back of the Scanner Bucket, route the cable along the wall of the Tower Cabinet.
 - b. Secure the cable using cable ties.
 - c. Pass the cable through the cable access hole at the side of the Tower Cabinet and then bundle excess cable, as shown in the example below.

 **Warning:** To manage cable bundles properly, use zigzag bundling. Avoid looping the cables. For more information about routing cables, refer to the 7370 SCO 6 Modular Card Only Cable Routing Instructions (497-0530890).

 **Warning:** Do not overtighten the cable ties to avoid internal discontinuity and damages.



4. From the cable access hole at the side of the Tower Cabinet, pass the cable through the Handheld Scanner Bracket, as shown in the image below.



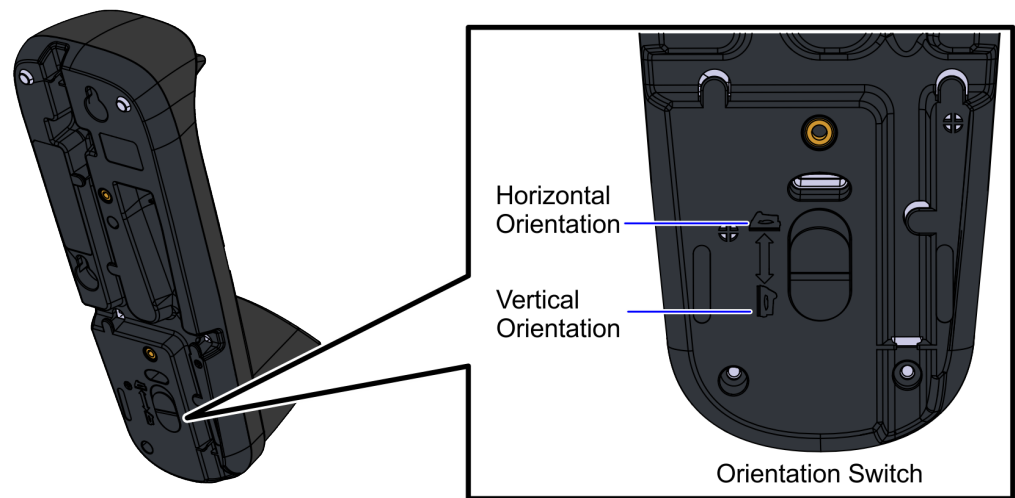
Installing the Handheld Scanner Base Dock

To install the Handheld Scanner Base Dock on the bracket, follow these steps:



Note: The Handheld Scanner Bracket can be installed on either side of the Tower Cabinet depending on the orientation of the SelfServ Checkout unit. By default, the bracket is installed on the left side of the Tower Cabinet.

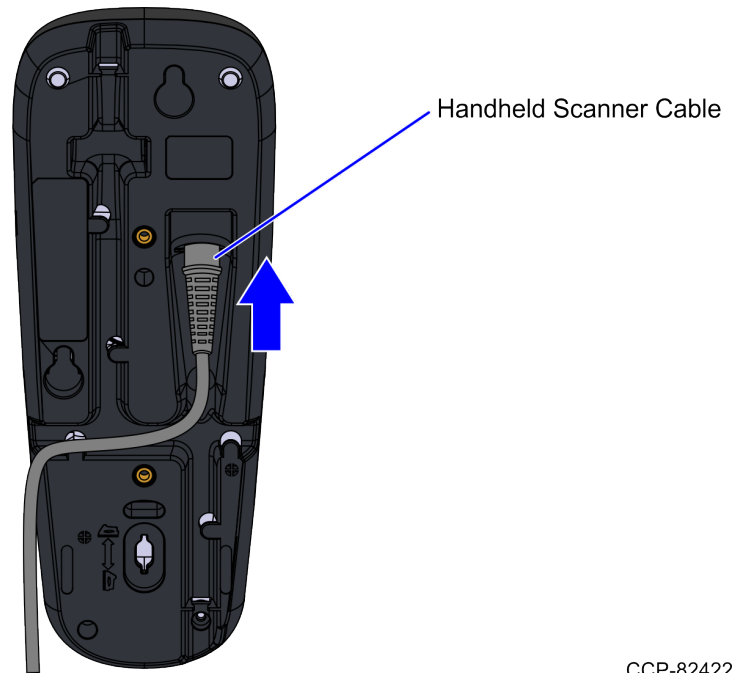
1. Do the following:
 - a. Install the Handheld Scanner Bracket. For more information, refer to [Installing the Handheld Scanner Bracket](#) on page 7.
 - b. Route the Handheld Scanner Cable into the SelfServ Checkout unit. For more information, refer to [Routing the Handheld Scanner Cable](#) on page 9.
2. At the bottom of the Handheld Scanner Base Dock, set the switch to the vertical orientation, as shown in the image below. This ensures good contact between the Handheld Scanner and the base dock.



Handheld Scanner Base Dock

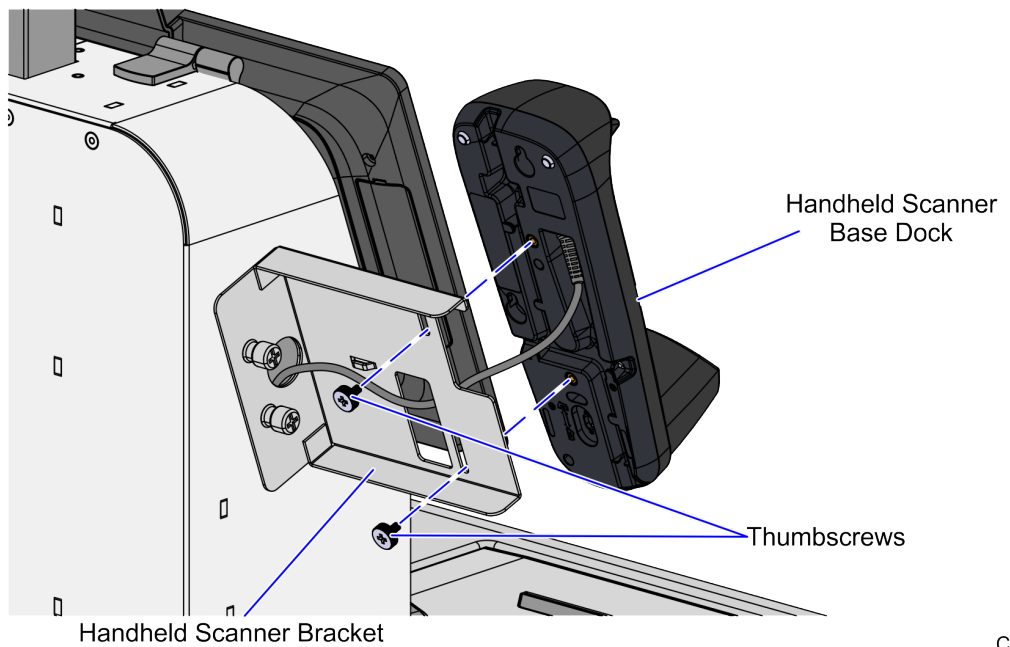
CCP-81949

3. Connect the Handheld Scanner Cable to the base dock.



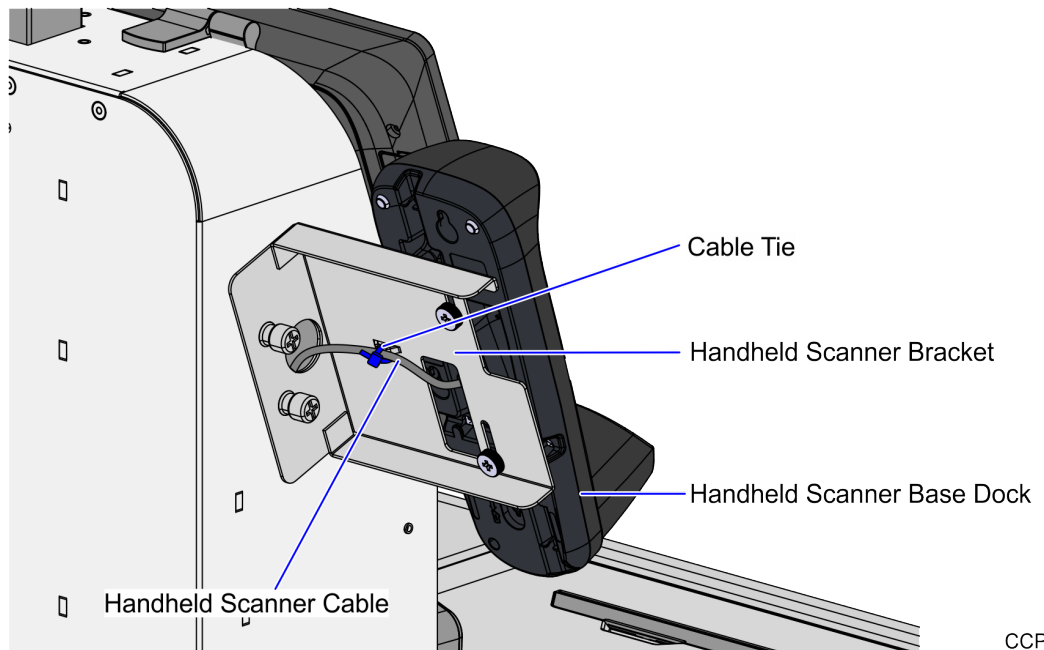
CCP-82422

4. Attach the base dock on the bracket using two (2) thumbscrews.



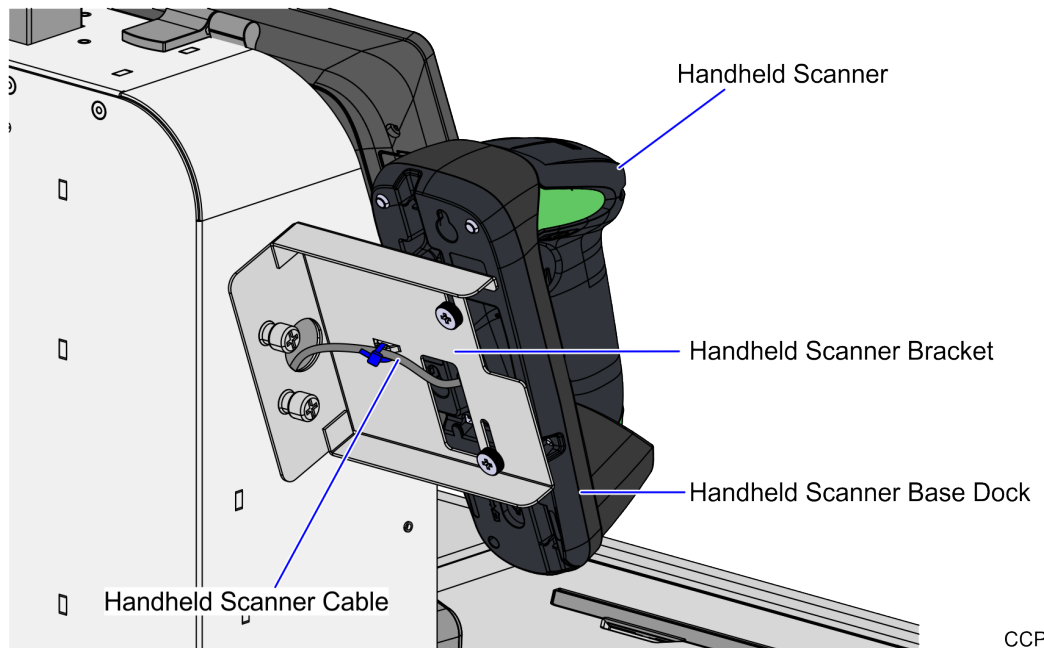
CCP-82430

5. Secure the cable to the bracket using a cable tie.



CCP-82432

6. Place the Handheld Scanner on the base dock.



CCP-81928