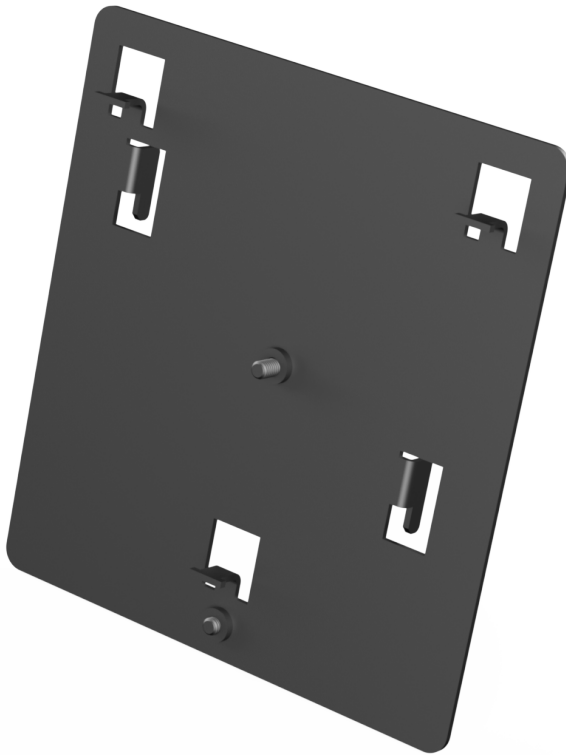


# Kit Instructions

PIN Pad Mount (Ingenico ISC250)



7370-K402  
Issue A



The product described in this document is a licensed product of NCR Corporation.

NCR is a registered trademark of NCR Corporation. NCR FastLane SelfServ™ Checkout is a trademark of NCR Corporation in the United States and/or other countries. Other product names mentioned in this publication may be trademarks or registered trademarks of their respective companies and are hereby acknowledged.

The terms HDMI and HDMI High-Definition Multimedia Interface, and the HDMI Logo are trademarks or registered trademarks of HDMI Licensing LLC in the United States and other countries.

Where creation of derivative works, modifications or copies of this NCR copyrighted documentation is permitted under the terms and conditions of an agreement you have with NCR, NCR's copyright notice must be included.

It is the policy of NCR Corporation (NCR) to improve products as new technology, components, software, and firmware become available. NCR, therefore, reserves the right to change specifications without prior notice.

All features, functions, and operations described herein may not be marketed by NCR in all parts of the world. In some instances, photographs are of equipment prototypes. Software screen images are representative, and in some cases, may not match a customer's installed software exactly. Therefore, before using this document, consult with your NCR representative or NCR office for information that is applicable and current.

Copyright © 2022  
By NCR Corporation  
Global Headquarters  
864 Spring St NW  
Atlanta, GA 30308  
U.S.A.  
All Rights Reserved

---

## Revision Record

Issue	Date	Remarks
A	Jul 2022	First Issue

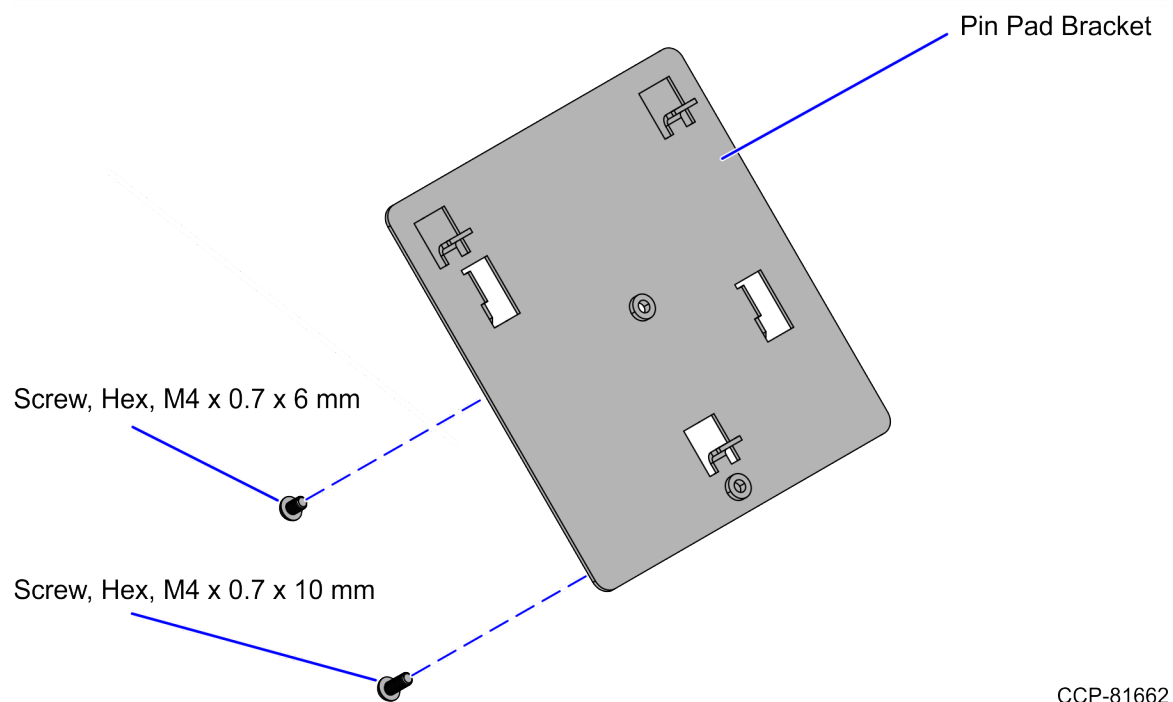
# 7370-K402 PIN Pad Mount (Ingenico ISC250)

This publication provides procedures for installing a PIN Pad Mount for an Ingenico ISC250 device on the NCR FastLane SelfServ™ Checkout (7370) unit.



**Note:** The Ingenico ISC250 PIN Pad is supplied by the customer.

## Kit Contents

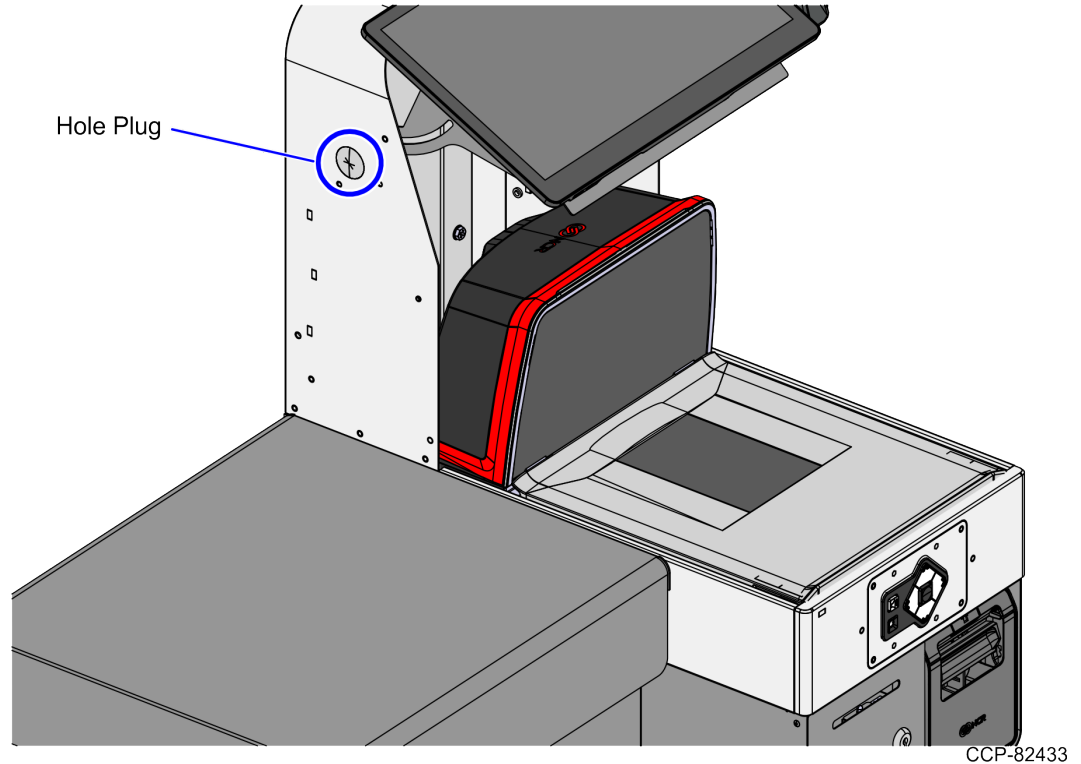


Part Number	Description
497-0532291	Ingenico ISC250 PIN Pad Mount Kit
006-8628399	Screw - M4x0.7 x 6mm Tamper-Resistant Button Head Hex Drive with Nylon Patch - SS
006-8628400	Screw - M4x0.7 x 10mm Tamper-Resistant Button Head Hex Drive with Nylon Patch - SS
497-0529189	PIN Pad Bracket
* 497-0423108	Kit Instructions (Reference Sheet)

# Installation Procedure

To install the PIN Pad Mount (Ingenico ISC250), follow these steps:

1. Do either of the following:
  - a. If the unit does not have an existing PIN Pad Mount, remove the hole plug as shown in the image below.



- b. If the unit has an existing PIN Pad Mount, do the following:
      - Remove the PIN Pad. For more information, refer to [Removing the PIN Pad](#) on the facing page.
      - Remove the PIN Pad Mount. For more information, refer to [Removing the PIN Pad Mount](#) on page 5.
  2. Install the PIN Pad Mount. For more information, refer to [Installing the PIN Pad Mount](#) on page 7.
  3. Install the PIN Pad. For more information, refer to [Installing the PIN Pad](#) on page 8.
  4. Route the PIN Pad Cable. For more information, refer to [Routing the PIN Pad Cable](#) on page 9.

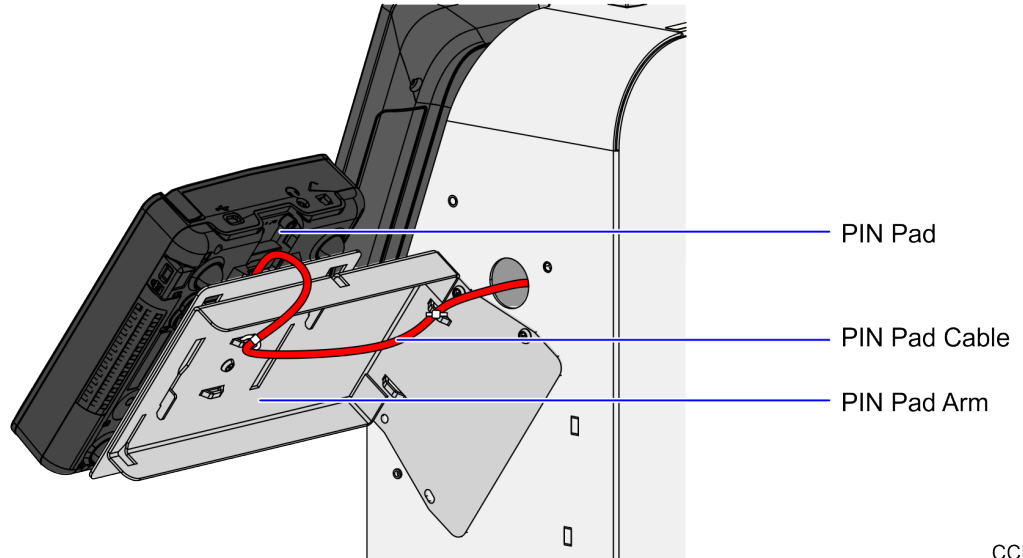


**Note:** The Ingenico ISC250 PIN Pad is not included in the 7370-K402 PIN Pad Kit. For more information, contact an NCR Customer Service Representative.

## Removing the PIN Pad

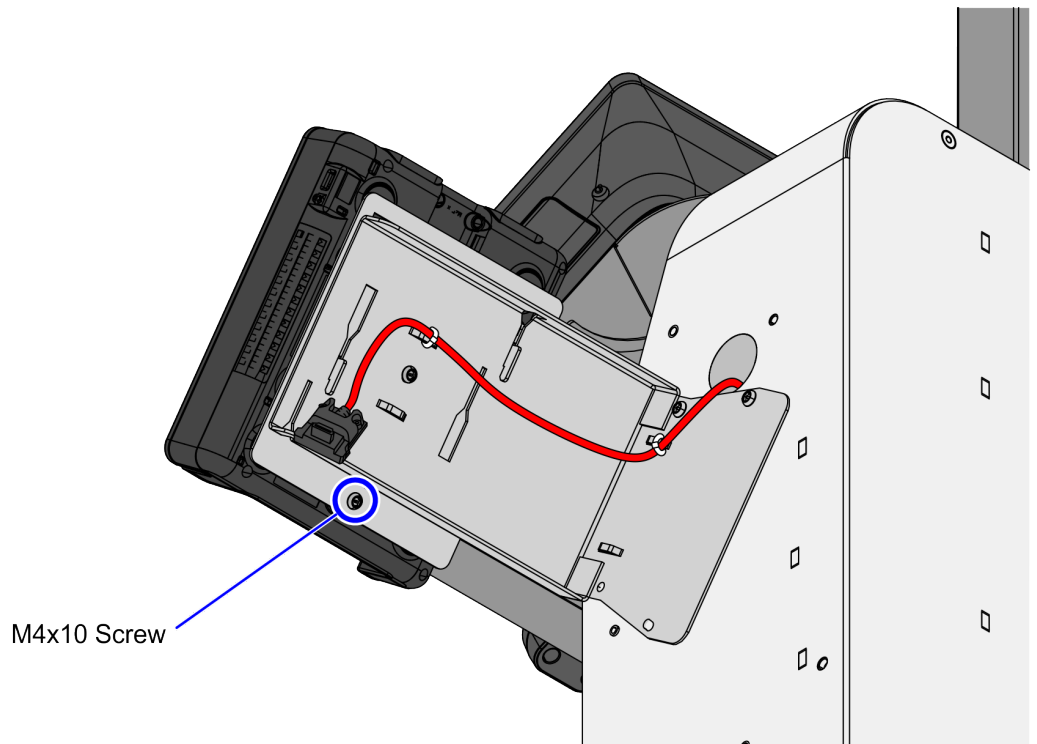
To remove the PIN Pad, follow these steps:

1. Disconnect the PIN Pad Power Cable.



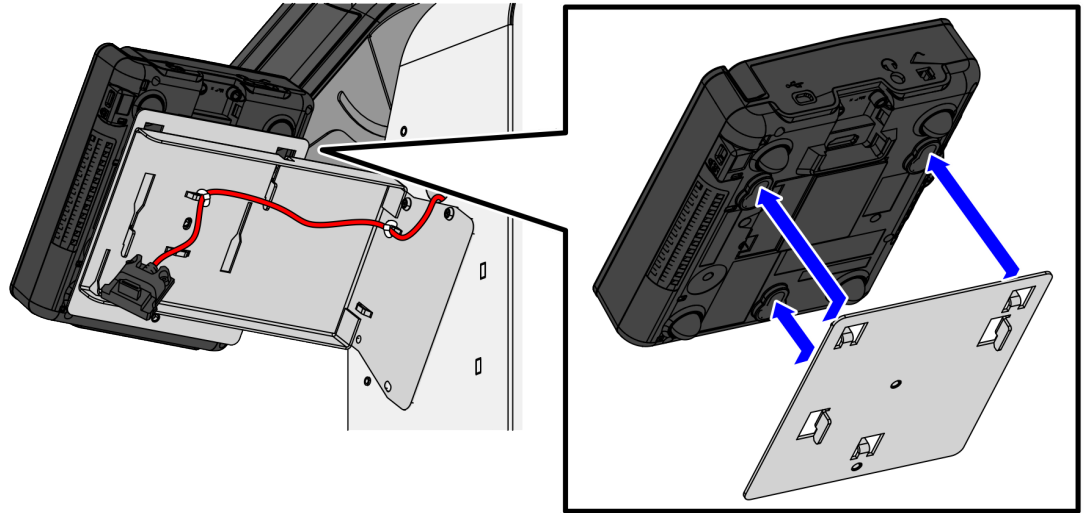
CCP-82076

2. Using a security hex key, remove one (1) M4x10 button head hex screw from the back of the PIN Pad Mount.



CCP-81674

3. Slide the PIN Pad away from the three (3) hooks on the PIN Pad Mount.

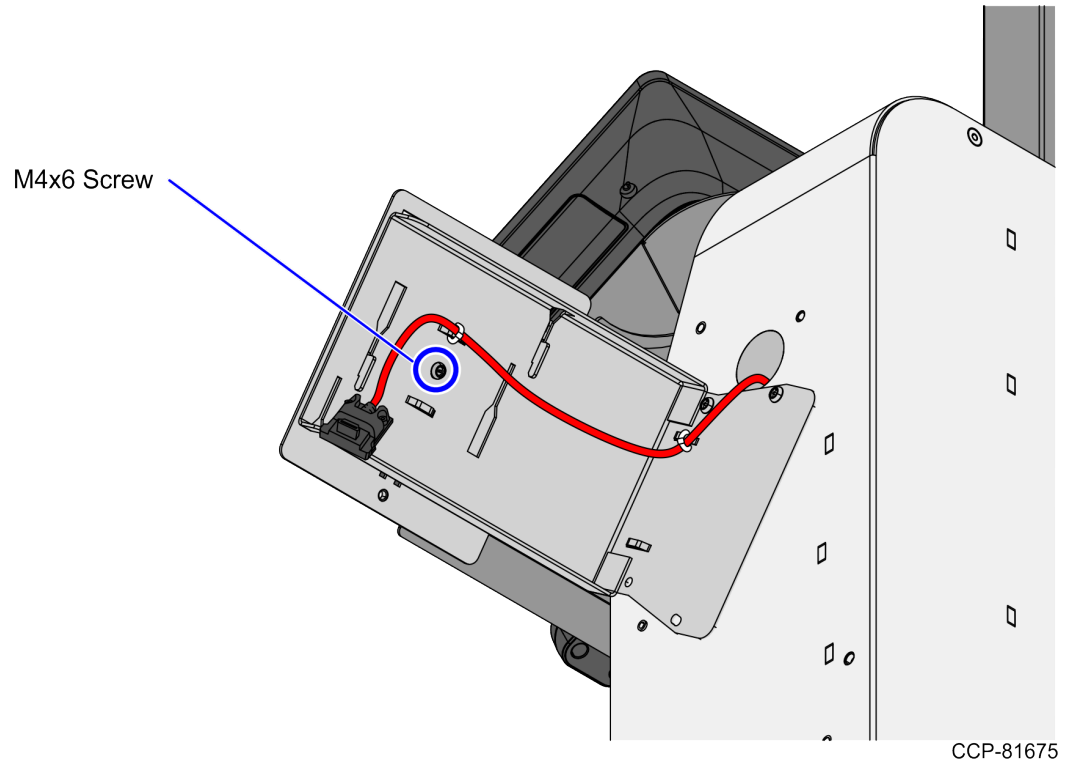


CCP-81386

## Removing the PIN Pad Mount

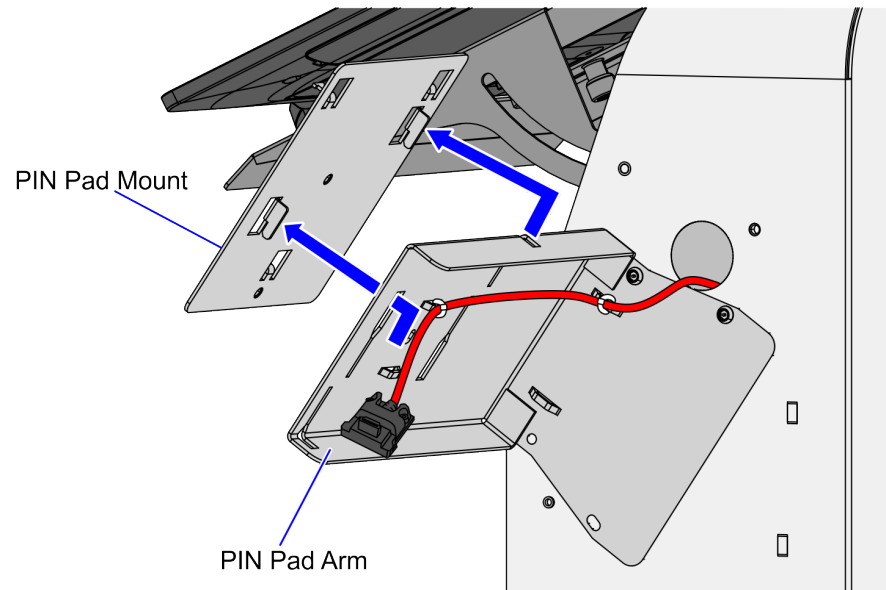
To remove the PIN Pad Mount, follow these steps:

1. Remove the PIN Pad. For more information, refer to [Removing the PIN Pad](#) on page 3.
2. Using a security hex key, remove one (1) M4x6 button head hex screw to detach the PIN Pad Mount from the PIN Pad Arm.





3. Slide the PIN Pad Mount out of the slots on the PIN Pad Arm.

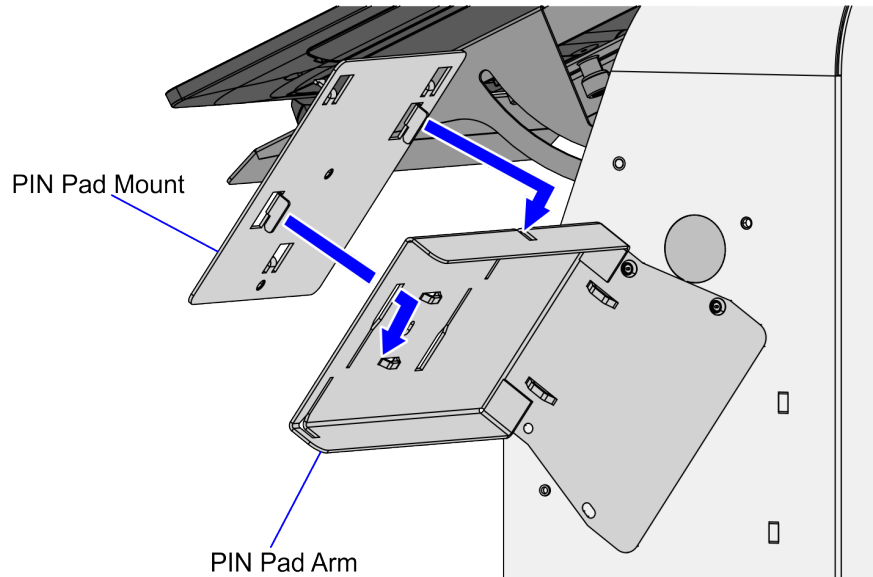


CCP-81385

## Installing the PIN Pad Mount

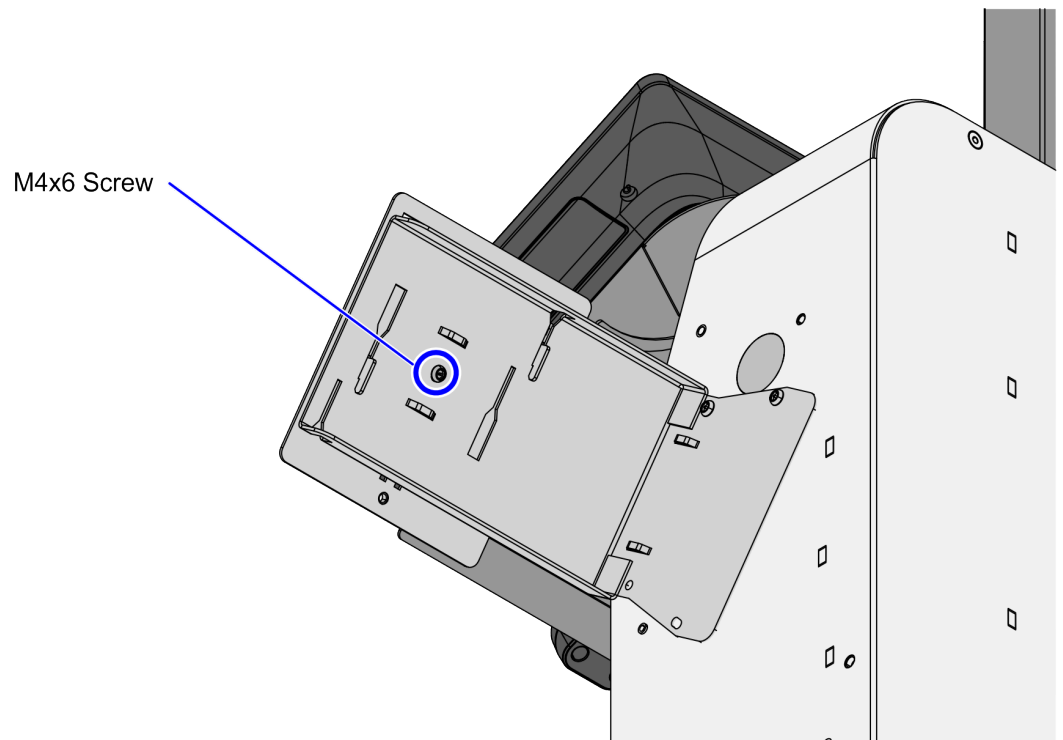
To install the PIN Pad Mount, follow these steps:

1. Slide the PIN Pad Mount into the slots on the PIN Pad Arm, as shown in the image below.



CCP-81384

2. Using a security hex key, secure the PIN Pad Mount to the PIN Pad Arm using one (1) M4x6 button head hex screw.

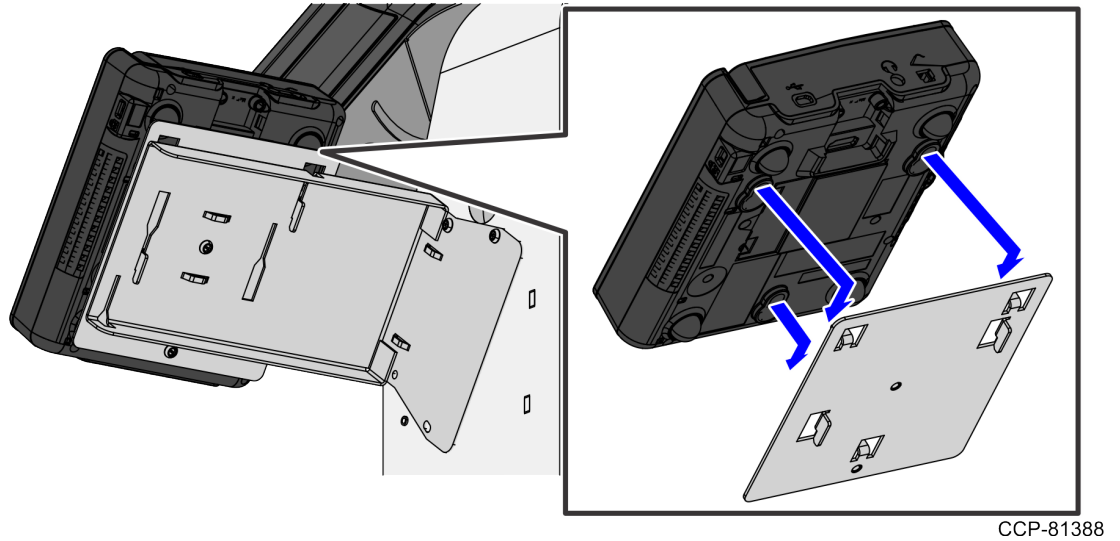


CCP-82441

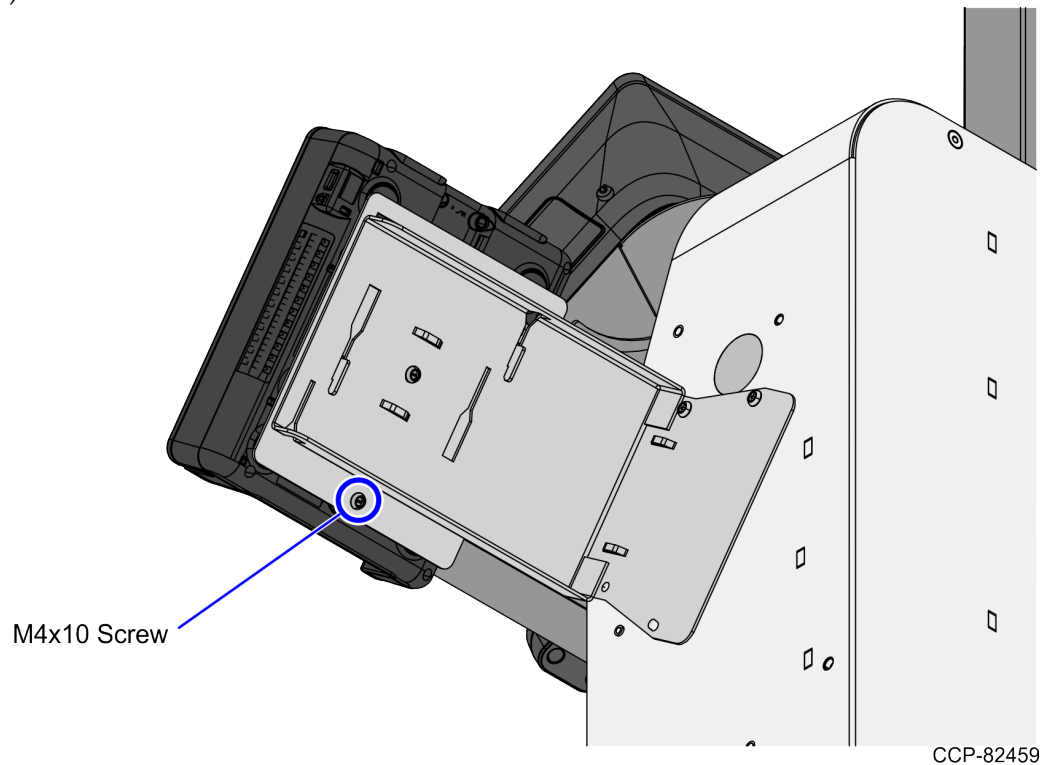
## Installing the PIN Pad

To install the PIN Pad, follow these steps:

1. Install the PIN Pad Mount. For more information, refer to [Installing the PIN Pad Mount](#) on the previous page.
2. Slide the PIN Pad onto three (3) hooks on the PIN Pad Mount.



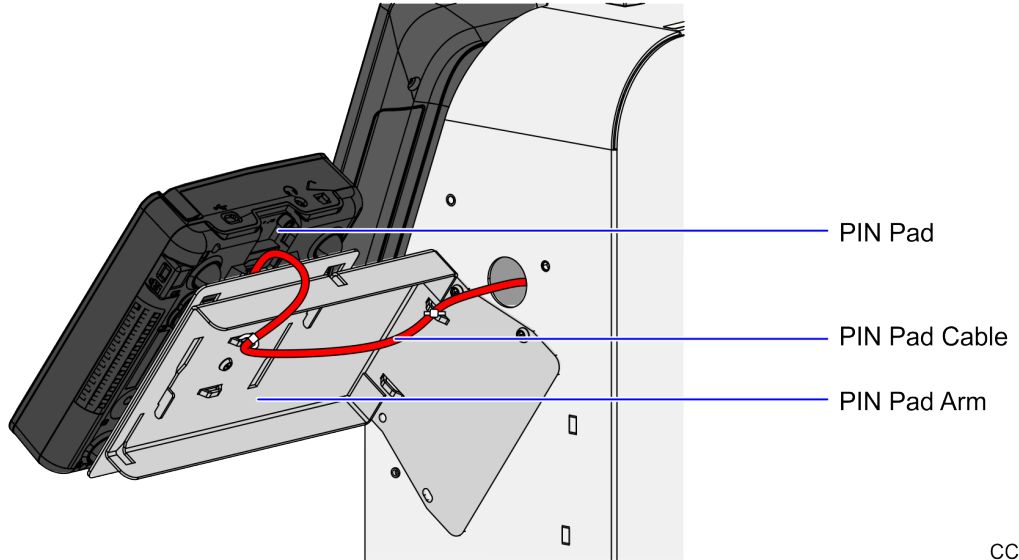
3. Using a security hex key, secure the PIN Pad with mount to the PIN Pad Arm using one (1) M4x10 button head hex screw.



## Routing the PIN Pad Cable


To route the PIN Pad Cable into the SelfServ Checkout unit, follow these steps:


1. Do the following:
  - a. Connect the cable to the PIN Pad.
  - b. Secure the cable to the PIN Pad Arm using cable ties.
  - c. Pass the cable through the cable access hole, as shown in the image below.

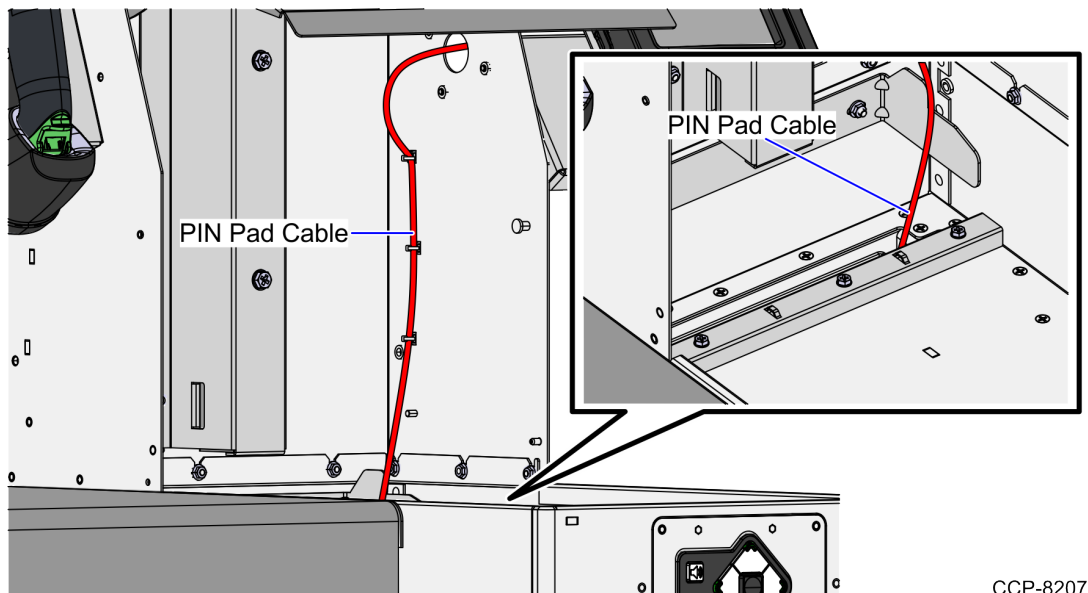


CCP-82076

2. From the Tower Cabinet cable access hole, do the following:
  - a. Route the cable along the wall of the Tower Cabinet.
  - b. Secure the cable using cable ties.
  - c. Pass the cable through the cable access hole at the rear of the Scanner Bucket, as shown in the example below.

 **Warning:** To manage cable bundles properly, use zigzag bundling. Avoid looping the cables. For more information about routing cables, refer to the Common Product Name (7370) Cable Routing Instructions (497-0530890).

 **Warning:** Do not overtighten the cable ties to avoid internal discontinuity and damages.



3. From the Tower Cabinet, do the following:
  - a. Route the cable down the Pedestal Cabinet.
  - b. Connect the PIN Pad cable to the R6 I/O Box (USB H).



**Note:** Keep the PIN Pad Cable (and other communications cables) away from and not bundled with AC power cables and Electronic Article Surveillance (EAS) cables.

