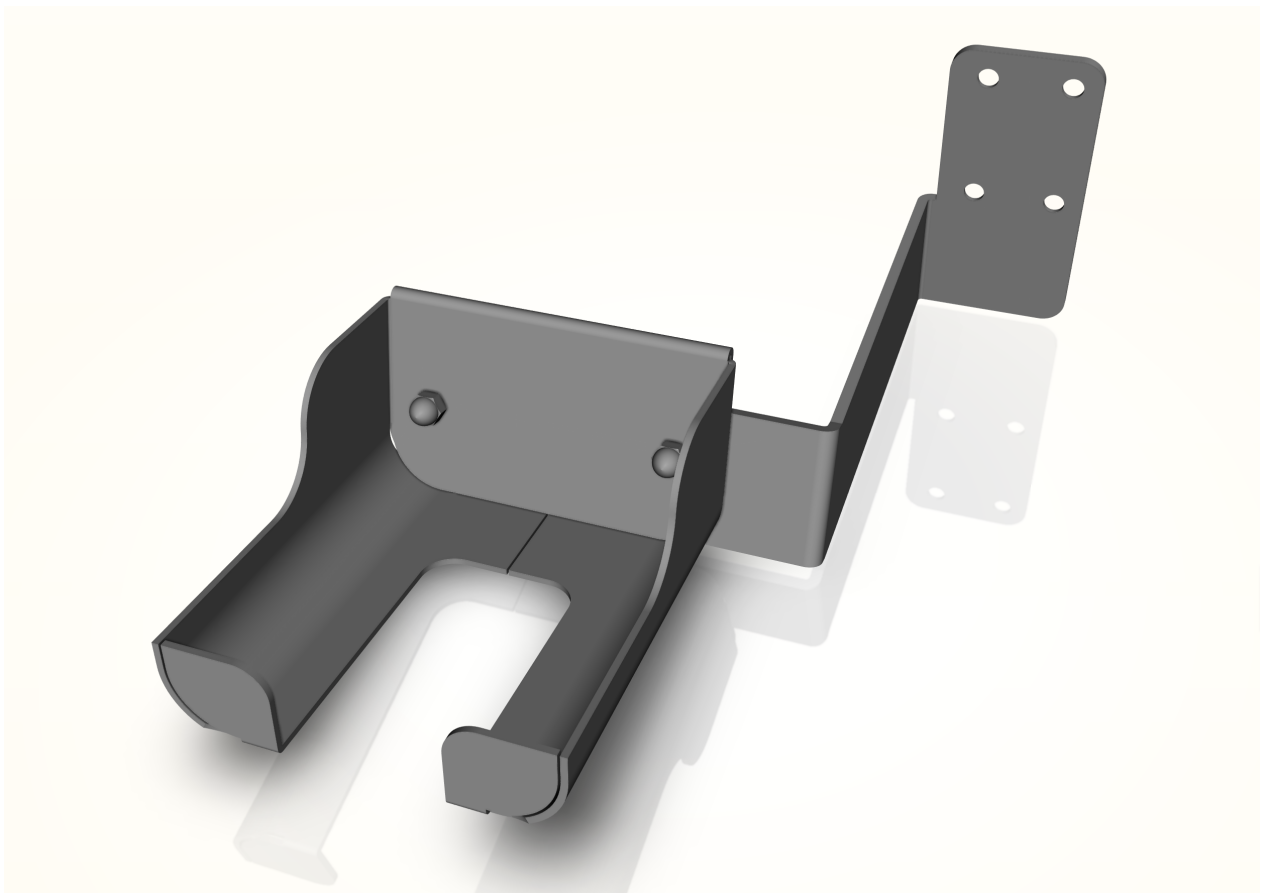


Kit Instructions

Handheld Scanner Bracket Assembly



7364-K801
Issue A



The product described in this document is a licensed product of NCR Corporation.

NCR is a registered trademark of NCR Corporation. NCR FastLane SelfServ™ Checkout is a trademark of NCR Corporation in the United States and/or other countries. Other product names mentioned in this publication may be trademarks or registered trademarks of their respective companies and are hereby acknowledged.

Where creation of derivative works, modifications or copies of this NCR copyrighted documentation is permitted under the terms and conditions of an agreement you have with NCR, NCR's copyright notice must be included.

It is the policy of NCR Corporation (NCR) to improve products as new technology, components, software, and firmware become available. NCR, therefore, reserves the right to change specifications without prior notice.

All features, functions, and operations described herein may not be marketed by NCR in all parts of the world. In some instances, photographs are of equipment prototypes. Therefore, before using this document, consult with your NCR representative or NCR office for information that is applicable and current.

To maintain the quality of our publications, we need your comments on the accuracy, clarity, organization, and value of this book. Please use the link below to send your comments.

Email: FD230036@ncr.com

Copyright © 2018
By NCR Corporation
864 Spring St. NW
Atlanta, GA 30308
United States
All Rights Reserved

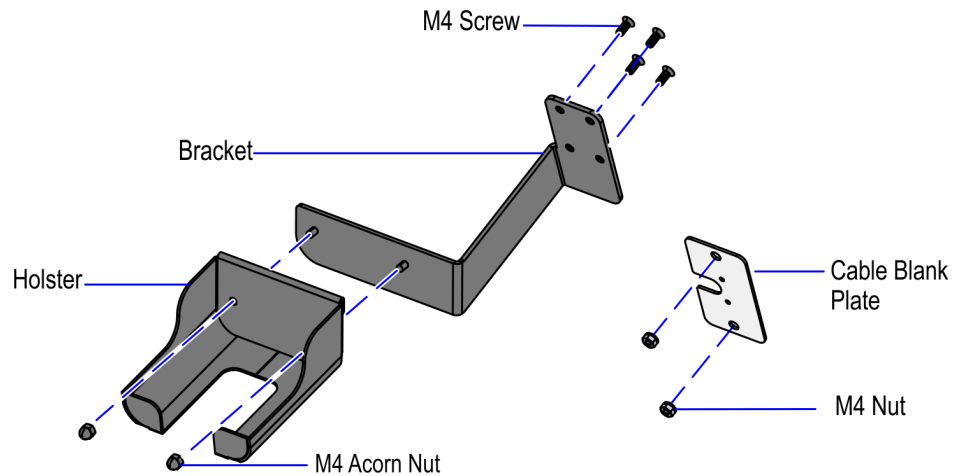
Revision Record

Issue	Date	Remarks
A	Dec 2018	First Issue

Handheld Scanner Bracket Assembly

This publication provides procedures for installing a Handheld Scanner Bracket Assembly on an NCR FastLane SelfServ™ Checkout (7364) R6-G unit.

Kit Contents



CCP-74491

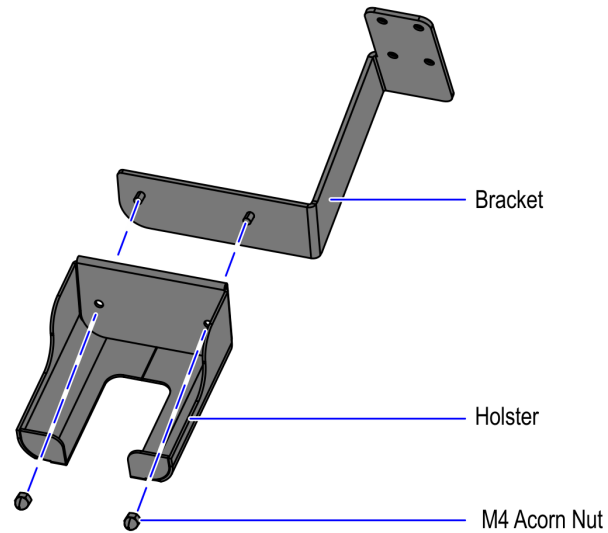
Part Number	Description
497-0522537	7364-K801 Handheld Scanner Bracket Assembly
497-0519026	Holster
497-0522491	Bracket
795-0266400_6499	Cable Blank Plate
006-8624472	M4 Acorn Nut (2pcs)
006-8622623	M4 Screw (4pcs)
006-8611753	M4 Nut (2pcs)
* 497-0423108	Kit Instructions (Reference Sheet)
* 497-0506488	Re-Sealable Plastic Bag, 6inX9in, Clear
* 006-8623359	Zip Lock Bag 2x2

* Items marked with an asterisk are not called out on the image.

Installation Procedure

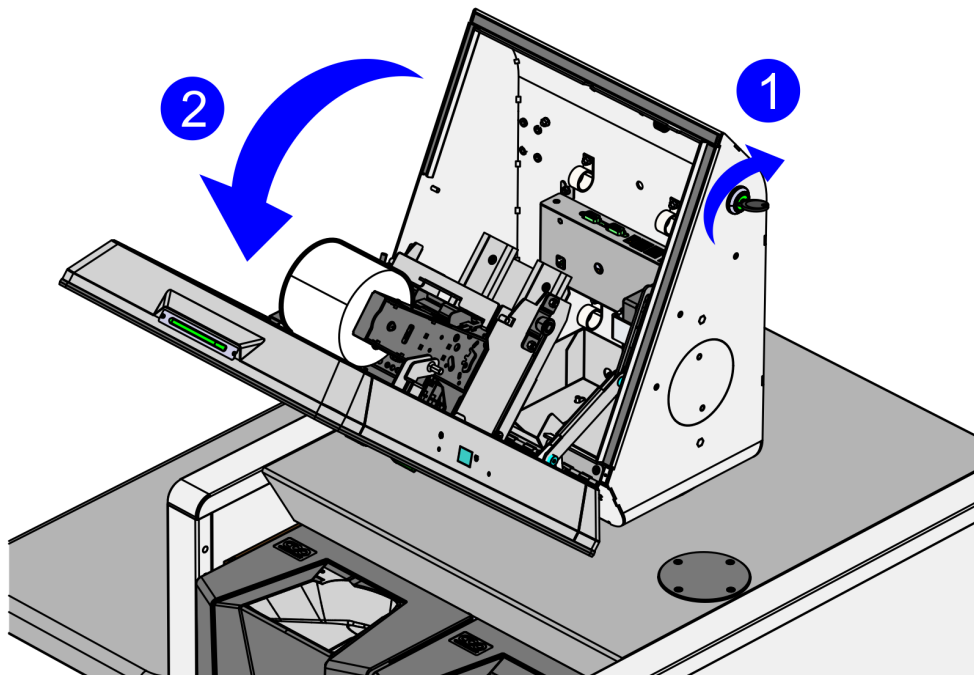
To install the Handheld Scanner Bracket Assembly, follow these steps:

1. Install and secure the Handheld Holster to the corresponding bracket using two M4 Acorn nuts.



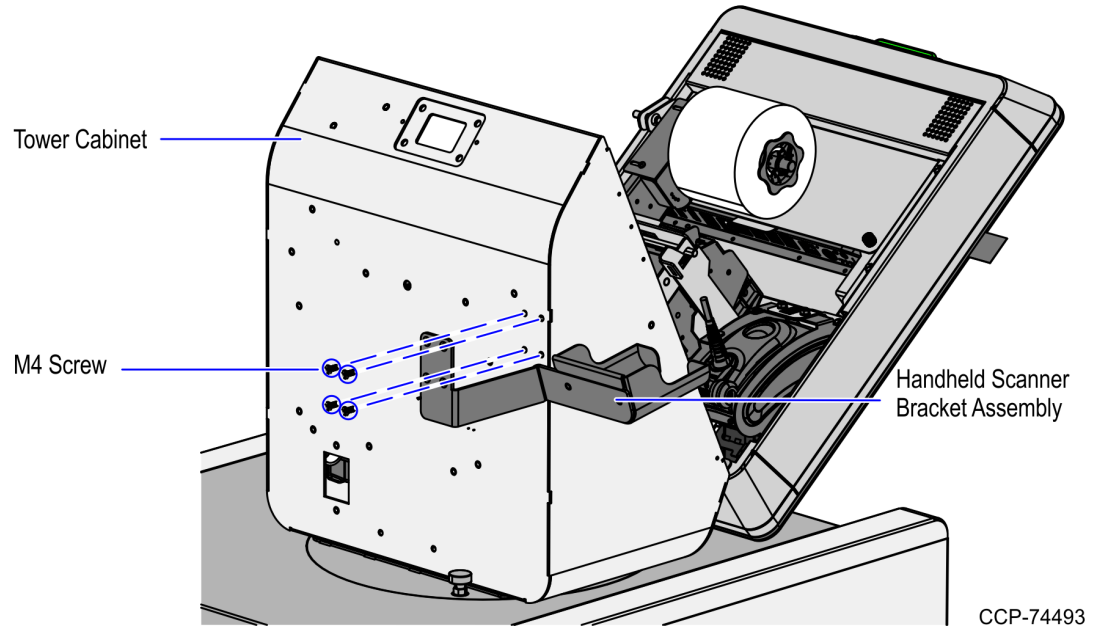
CCP-74492

2. Insert a key into the Tower Cabinet keylock, turn the key clockwise, and then carefully open the Terminal Display.

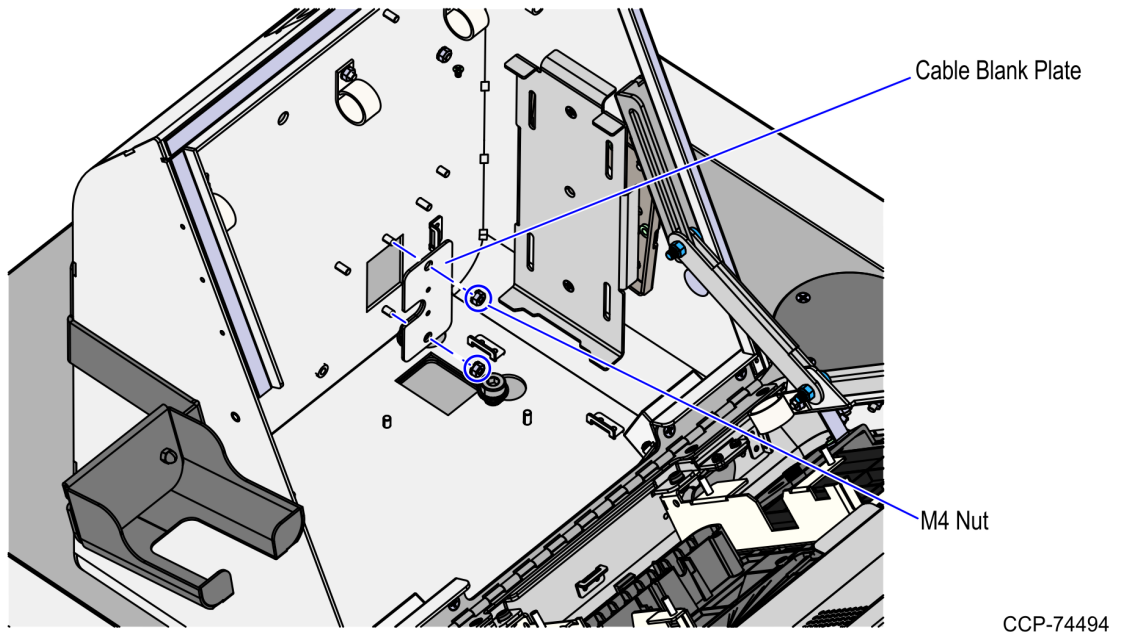


CCP-74467

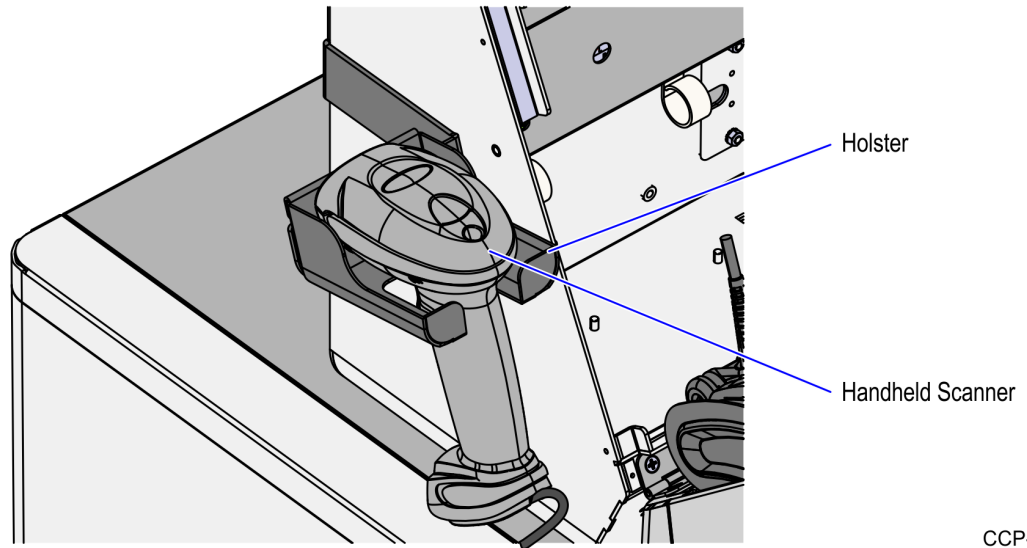
3. Install the Handheld Scanner Bracket Assembly on the back of the Tower Cabinet using four M4 screws.



4. Inside the Tower Cabinet, install the Cable Blank Plate using two M4 nuts as shown in the image below.

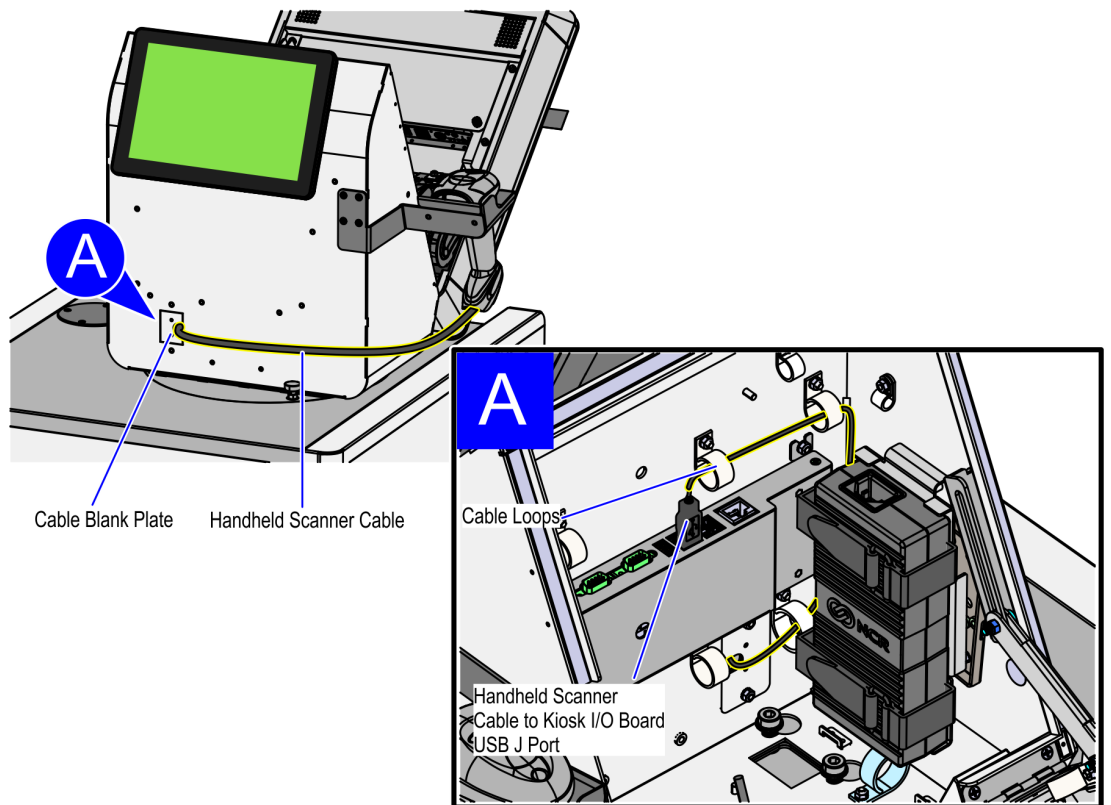


5. Place the Handheld Scanner on the Holster.



CCP-74495

6. Route the Handheld Scanner cable by doing the following:
 - a. Insert the cable through the Cable Blank Plate.
 - b. Inside the Tower Cabinet, route the cable through cable loops and then connect to the Kiosk I/O Board as shown in the image below.



CCP-74496

7. Close the Terminal Display and then lock the Tower Cabinet.