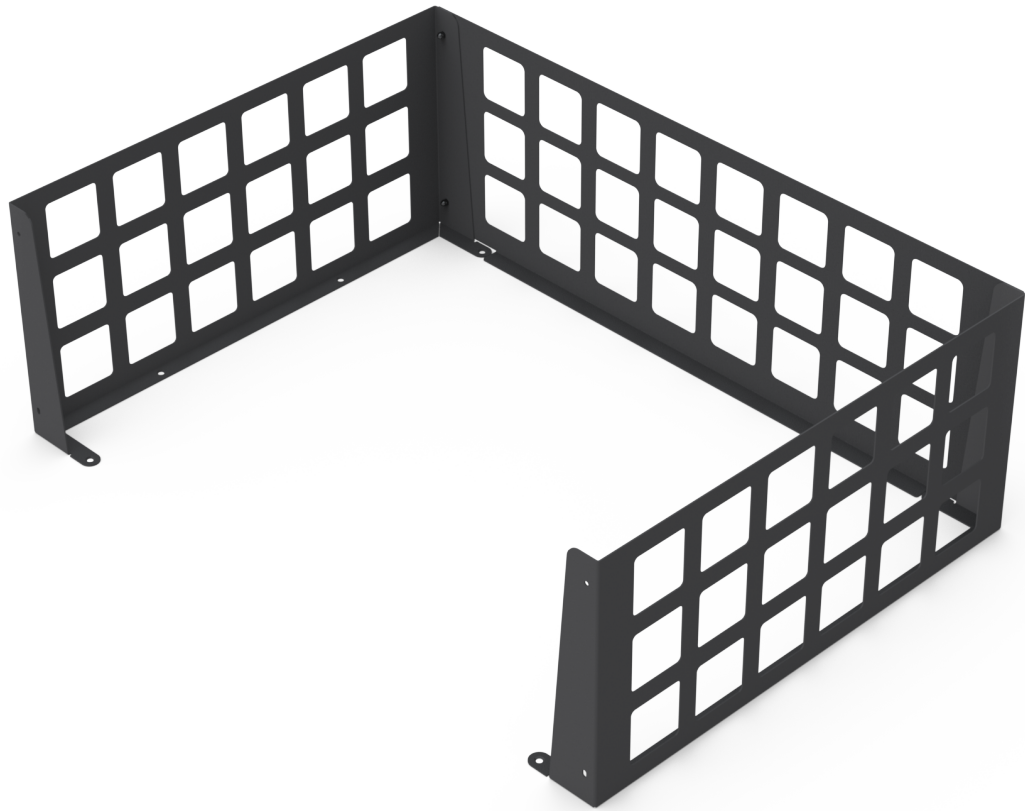


Kit Instructions

2-Bag Scale Tray Fence



7364-K462
Issue A



The product described in this document is a licensed product of NCR Corporation.

NCR is a registered trademark of NCR Corporation. NCR FastLane SelfServ™ Checkout is a trademark of NCR Corporation in the United States and/or other countries. Other product names mentioned in this publication may be trademarks or registered trademarks of their respective companies and are hereby acknowledged.

The terms HDMI and HDMI High-Definition Multimedia Interface, and the HDMI Logo are trademarks or registered trademarks of HDMI Licensing LLC in the United States and other countries.

Where creation of derivative works, modifications or copies of this NCR copyrighted documentation is permitted under the terms and conditions of an agreement you have with NCR, NCR's copyright notice must be included.

It is the policy of NCR Corporation (NCR) to improve products as new technology, components, software, and firmware become available. NCR, therefore, reserves the right to change specifications without prior notice.

All features, functions, and operations described herein may not be marketed by NCR in all parts of the world. In some instances, photographs are of equipment prototypes. Therefore, before using this document, consult with your NCR representative or NCR office for information that is applicable and current.

To maintain the quality of our publications, we need your comments on the accuracy, clarity, organization, and value of this book. Please use the link below to send your comments.

Email: FD230036@ncr.com

Copyright © 2021
By NCR Corporation
Global Headquarters
864 Spring St. NW
Atlanta, GA 30308
United States
All Rights Reserved

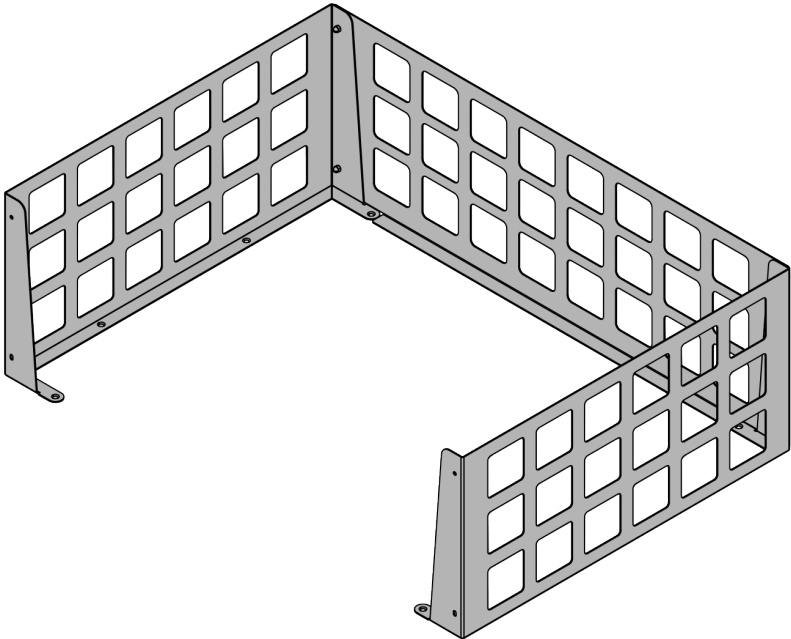
Revision Record

Issue	Date	Remarks
A	Mar 2021	First Issue

2-Bag Scale Tray Fence

The Scale Tray Fence is designed to keep a large number of items on the Scale Tray. This publication provides procedures for installing a Scale Tray Fence on a 2-Bag NCR FastLane SelfServ™ Checkout (7364) unit.

Kit Contents



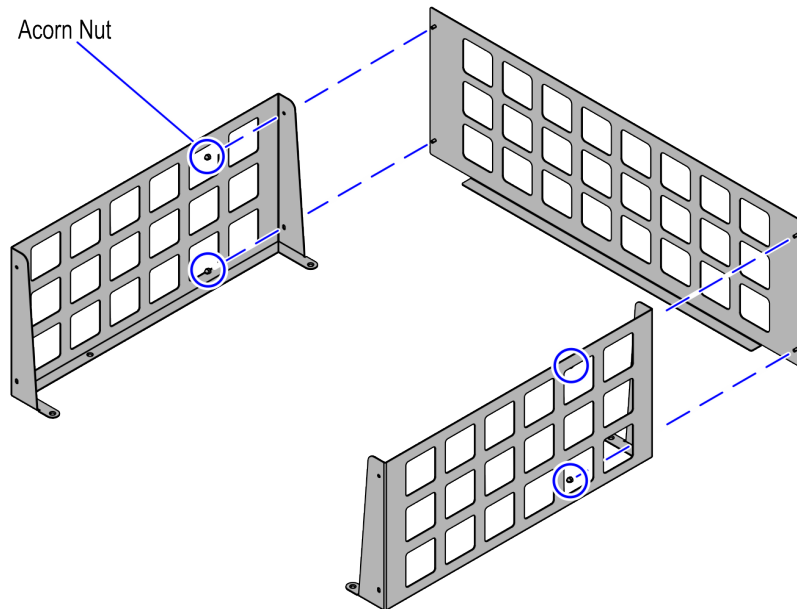
CCP-79799

Part Number	Description
497-0525706	Kit - 2-Bag Scale Tray Fence
497-0528862	Assembly - Fence - 2-Bag
* 497-0423108	Kit Instructions (Reference Sheet)

Installation Procedure

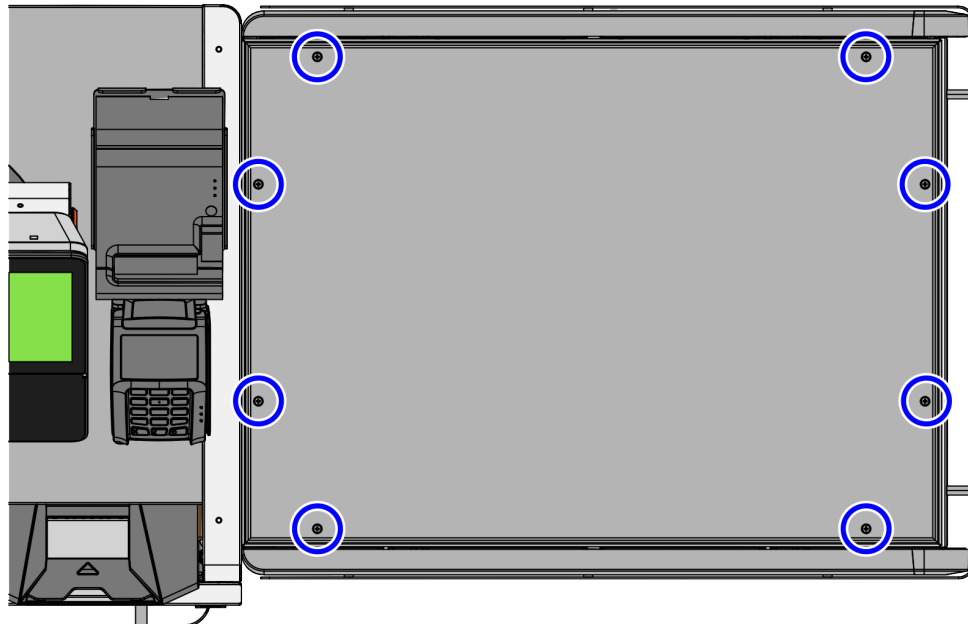
To install the 2-Bag Scale Tray Fence, follow these steps:

1. Assemble the 2-Bag Scale Tray Fence by attaching the two (2) Side Fences to the Rear Fence using four (4) Acorn Nuts, as shown in the image below.



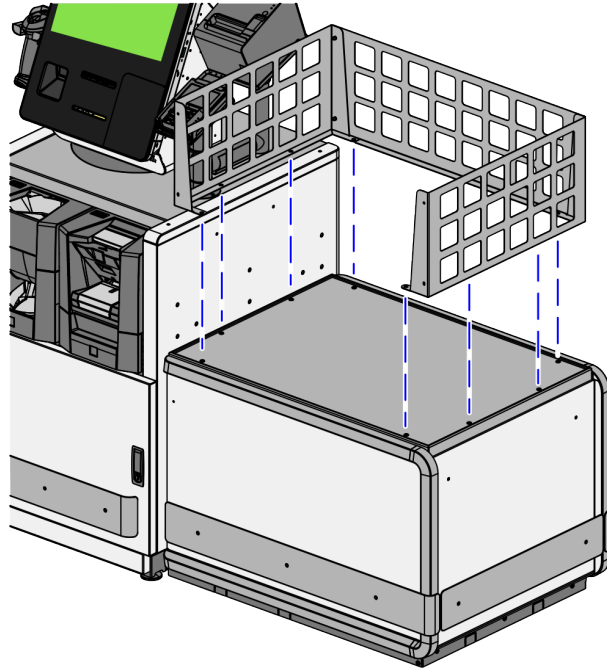
CCP-79794

2. Remove eight (8) screws from the Scale Tray. Use these screws to secure the Scale Tray Fence to the Scale Tray.



CCP-79796

3. Align the screw slots of the Scale Tray Fence to the corresponding mounting holes on the Scale Tray.



CCP-79798

4. Secure the Scale Tray Fence on the Scale Tray using eight (8) screws.