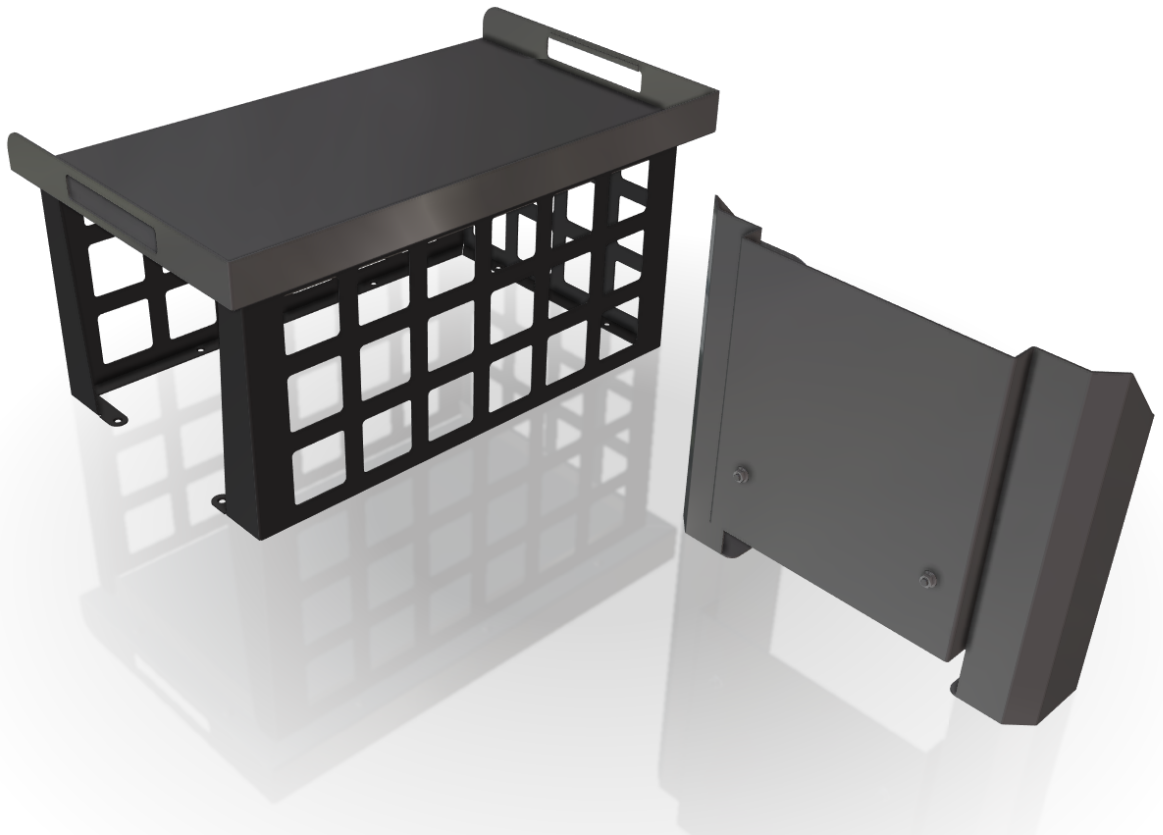


Kit Instructions

Scale Tray Fence with Top Tray



7364-K461
Issue A



The product described in this document is a licensed product of NCR Corporation.

NCR is a registered trademark of NCR Corporation. NCR FastLane SelfServ™ Checkout is a trademark of NCR Corporation in the United States and/or other countries. Other product names mentioned in this publication may be trademarks or registered trademarks of their respective companies and are hereby acknowledged.

Where creation of derivative works, modifications or copies of this NCR copyrighted documentation is permitted under the terms and conditions of an agreement you have with NCR, NCR's copyright notice must be included.

It is the policy of NCR Corporation (NCR) to improve products as new technology, components, software, and firmware become available. NCR, therefore, reserves the right to change specifications without prior notice.

All features, functions, and operations described herein may not be marketed by NCR in all parts of the world. In some instances, photographs are of equipment prototypes. Therefore, before using this document, consult with your NCR representative or NCR office for information that is applicable and current.

To maintain the quality of our publications, we need your comments on the accuracy, clarity, organization, and value of this book. Please use the link below to send your comments.

Email: FD230036@ncr.com

Copyright © 2019
By NCR Corporation
Global Headquarters
864 Spring St. NW
Atlanta, GA 30308
United States
All Rights Reserved

Revision Record

Issue	Date	Remarks
A	May 2019	First Issue

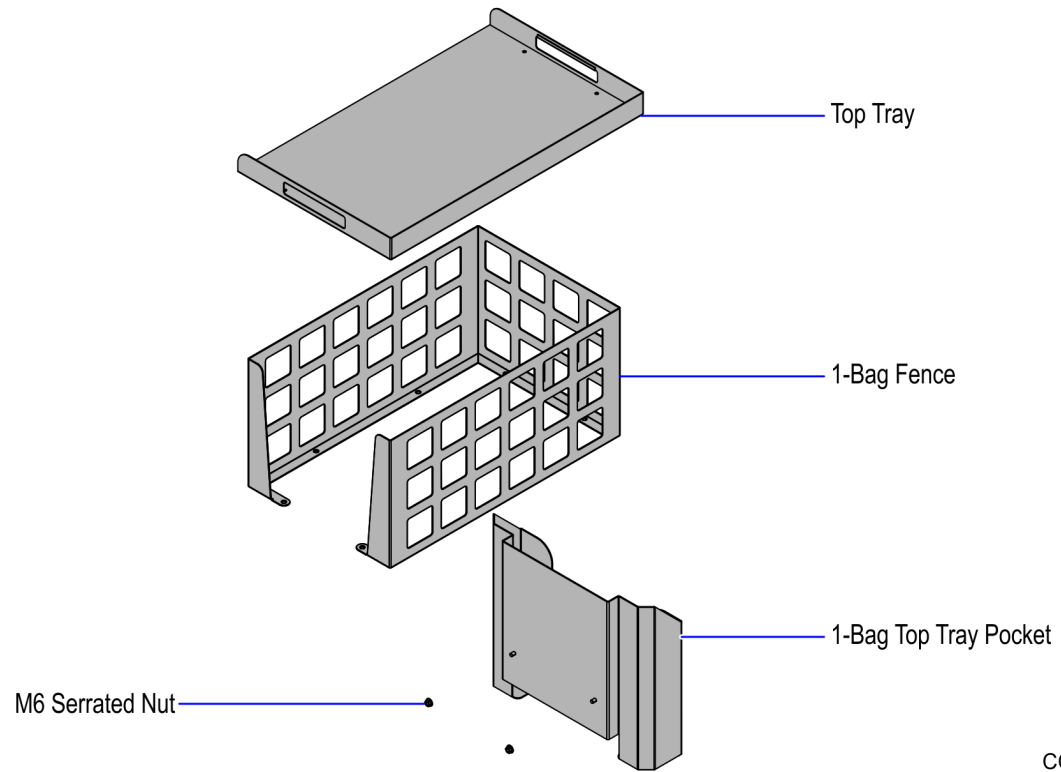
Scale Tray Fence with Top Tray

The Scale Tray Fence with Top Tray assembly is composed of the following components:

- Scale Tray Fence—keeps a large number of items on the Scale Tray.
- Top Tray—provides customers another place to put larger or additional items.
- Top Tray Pocket—holds the Top Tray when it is not used.

This publication provides procedures for installing a Scale Tray Fence with Top Tray on a 1-Bag NCR FastLane SelfServ™ Checkout (7364) unit.

Kit Contents



CCP-76720

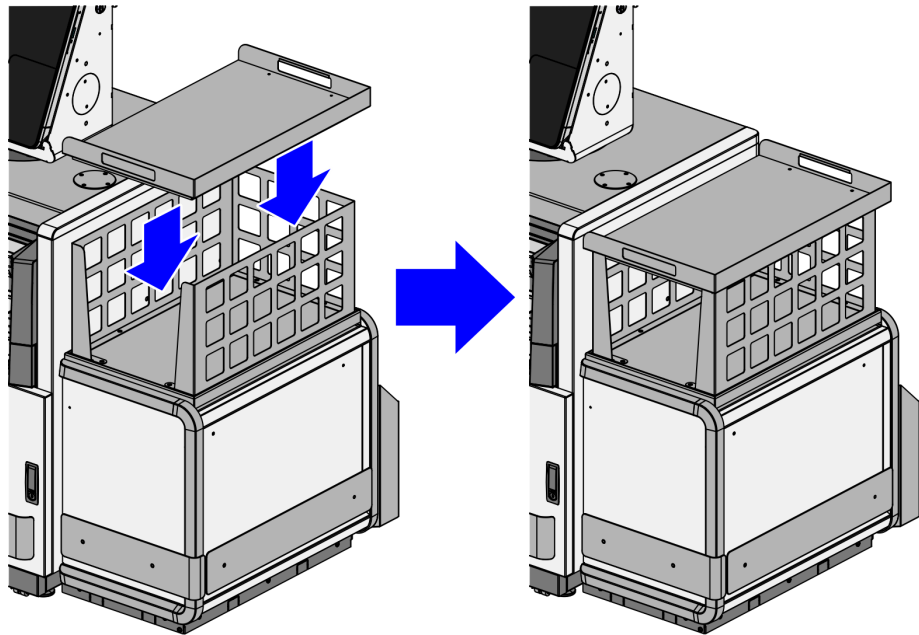
Part Number	Description
497-0525428	Kit - Scale Tray Fence with Top Tray
009-0007088	Serrated Nut - Self Locking (M6, 6.0)
497-0521879	Top Tray Pocket 1-Bag
497-0521880	Fence - 1-Bag
497-0521881	Top Tray
* 497-0423108	Kit Instructions (Reference Sheet)

* Items marked with an asterisk are not called out on the image.

Installation Procedures

To install the Scale Tray Fence with Top Tray, follow these steps:

1. Do the following, if necessary:
 - a. Remove the Top Tray from the Scale Tray Fence.
 - b. Remove the Scale Tray Fence. For more information, refer to [Removing Scale Tray Fence](#) on the next page.
 - c. Remove the existing Scale Tray, if necessary. For more information, refer to [Removing Scale Tray](#) on page 5.
2. Do the following:
 - a. Remove the Top Tray Pocket. For more information, refer to [Removing Top Tray Pocket](#) on page 6.
 - b. Install the Top Tray Pocket. For more information, refer to [Installing Top Tray Pocket](#) on page 7.
 - c. Install the Scale Tray Fence. For more information, refer to [Installing Scale Tray Fence](#) on page 10.
 - d. Place the Top Tray on the Scale Tray Fence.



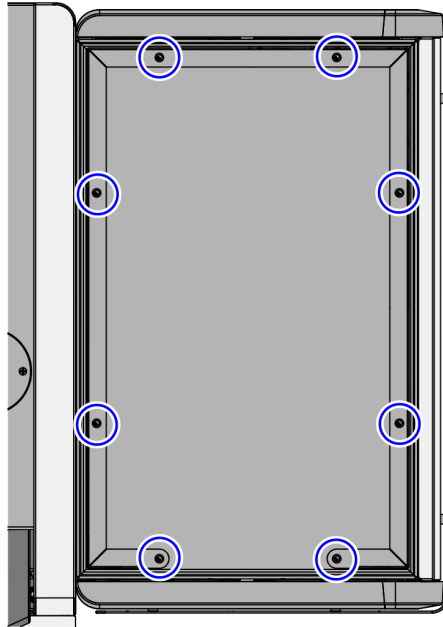
Removing Scale Tray Fence

To remove the Scale Tray Fence from the Bagwell, follow these steps:

1. Remove eight (8) screws securing the fence on the Scale Tray.

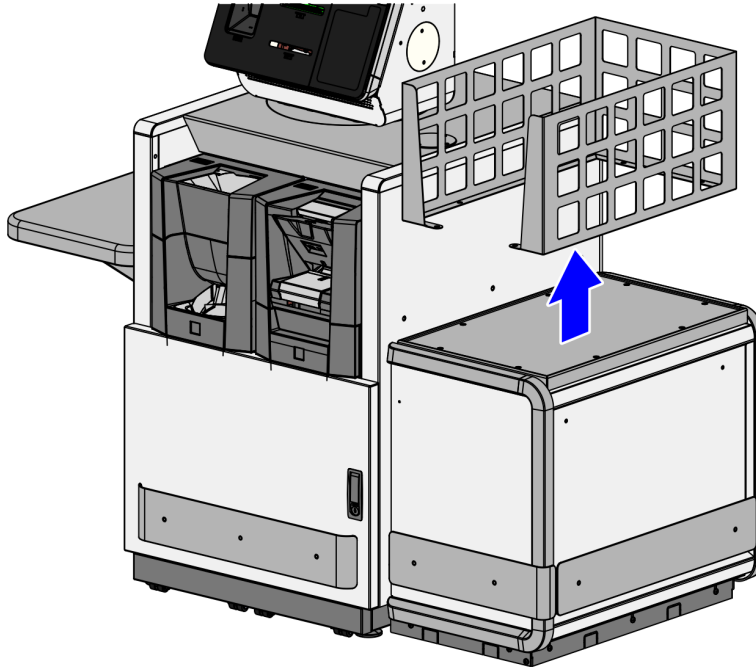


Note: Set aside these screws for re-installation.



CCP-76724

2. Lift and remove the fence from the Scale Tray.



CCP-76729

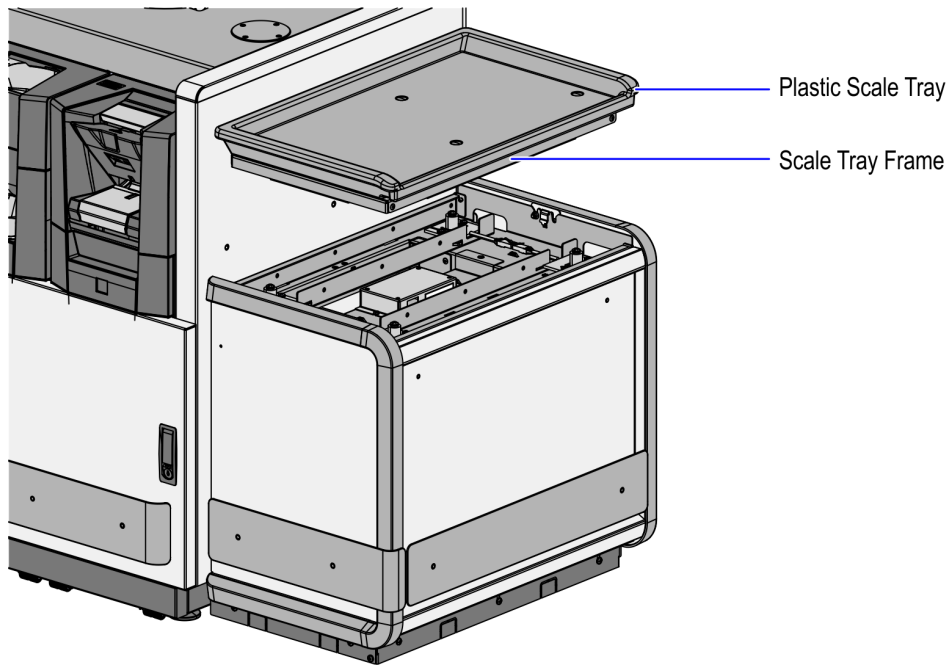
Removing Scale Tray

Depending on the type of Scale Tray, do either of the following:



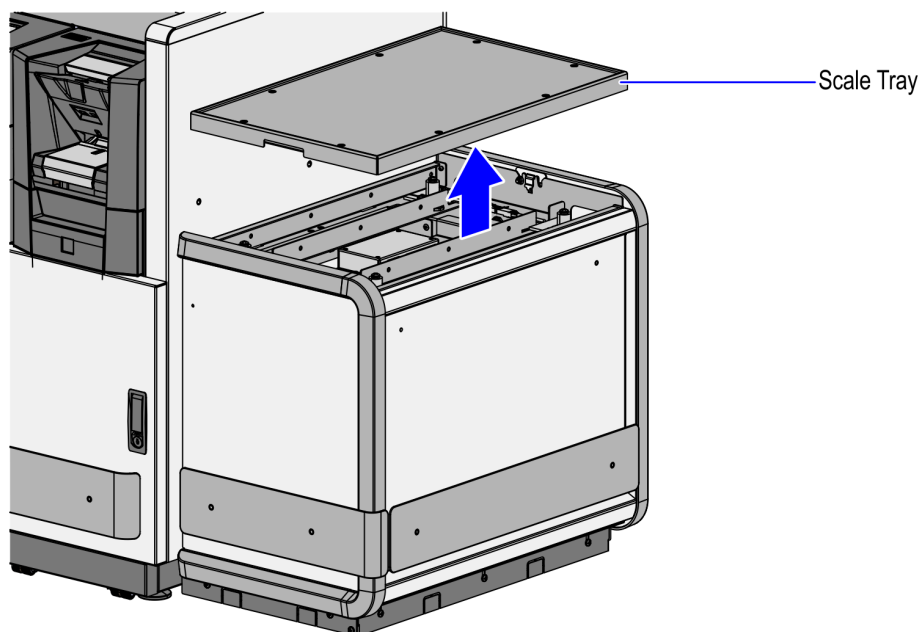
Note: For the purpose of illustration only, the images below show a unit with 1-Bag Bagwell configuration.

- Lift and remove the existing Plastic Scale Tray together with the Scale Tray Frame from the Bagwell.



CCP-76735

- Lift and remove the existing Stainless Steel Scale Tray from the Bagwell.

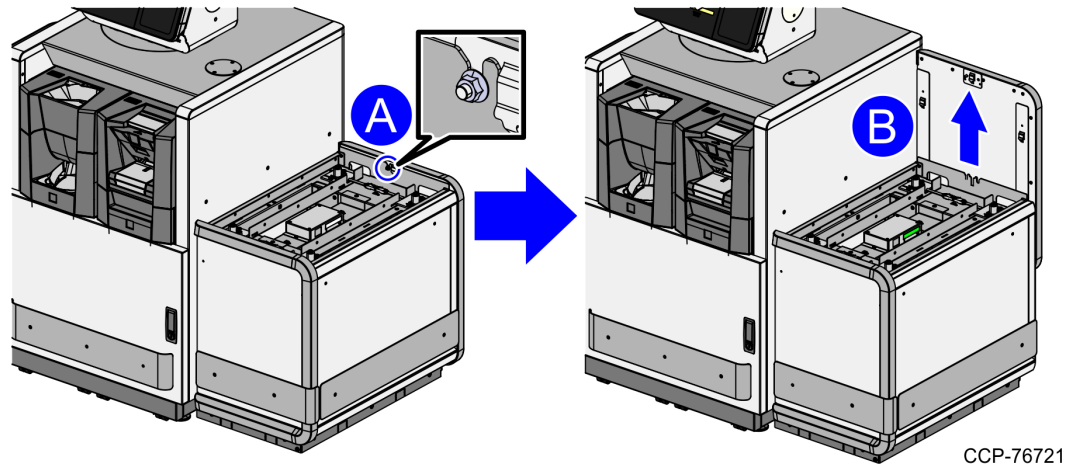


CCP-76731

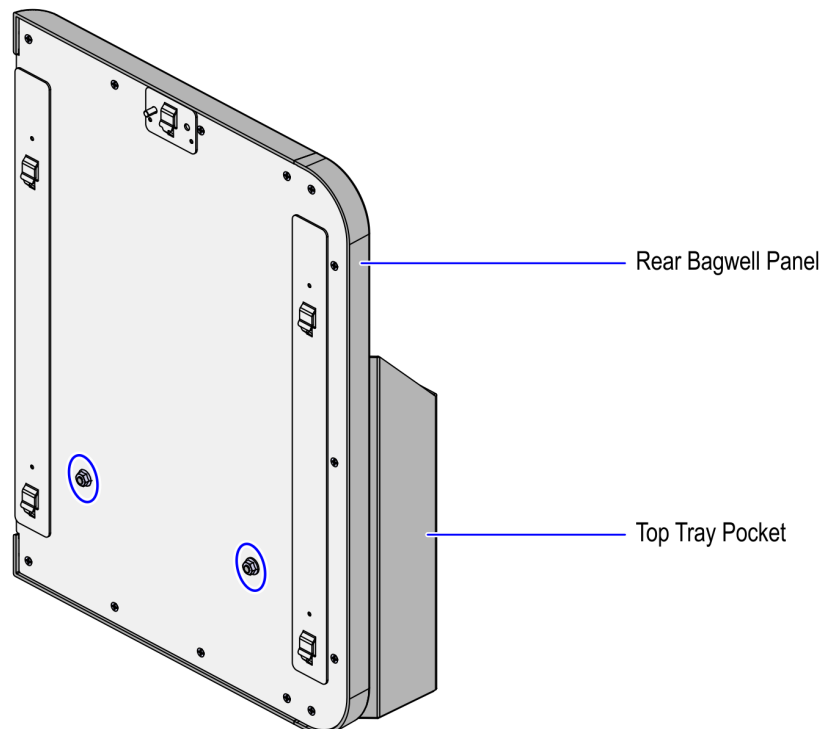
Removing Top Tray Pocket

To remove the Top Tray Pocket, follow these steps:

1. Remove the Scale Tray. For more information, refer to [Removing Scale Tray](#) on the previous page.
2. Do the following:
 - a. Remove one (1) nut securing the Rear Bagwell Panel to the Bagwell Frame.
 - b. Slide the Rear Bagwell Panel upward to remove it from the Bagwell, as shown in the image below.



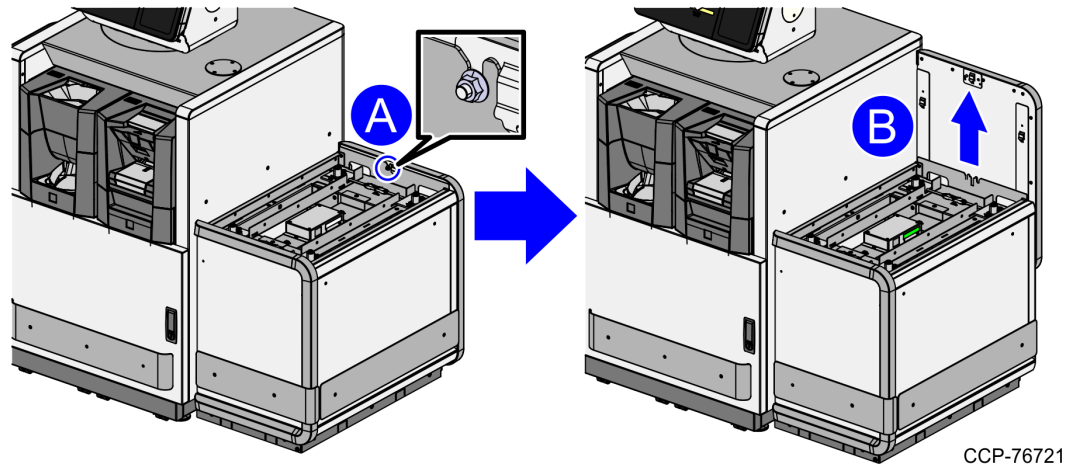
3. Remove two (2) nuts securing the Top Tray Pocket to the Rear Bagwell Panel, as shown in the image below.



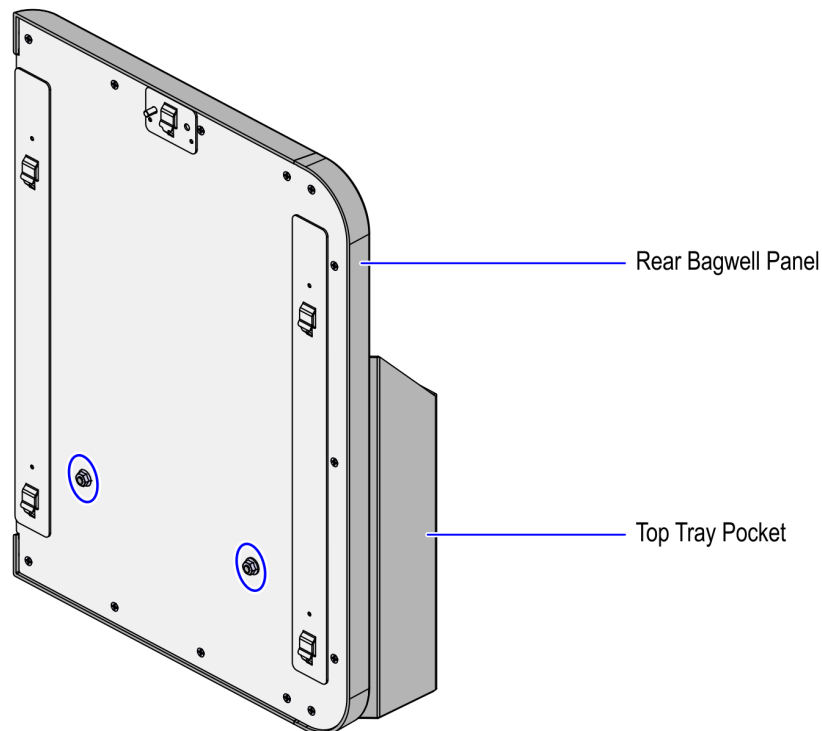
Installing Top Tray Pocket

To install the Top Tray Pocket, follow these steps:

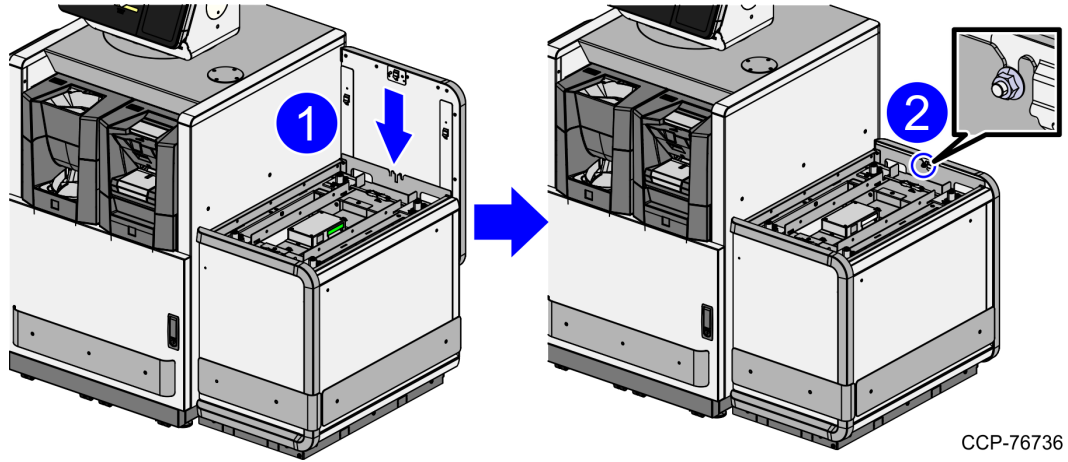
1. Remove the existing Top Tray Pocket, if necessary. For more information, refer to [Removing Top Tray Pocket](#) on the previous page.
2. Remove the Rear Bagwell Panel by doing the following:
 - a. Remove one (1) nut securing the Rear Bagwell Panel to the Bagwell Frame.
 - b. Slide the Rear Bagwell Panel upward to remove it from the Bagwell, as shown in the image below.



3. Using two (2) nuts, mount and secure the Top Tray Pocket to the Rear Bagwell Panel, as shown in the image below.



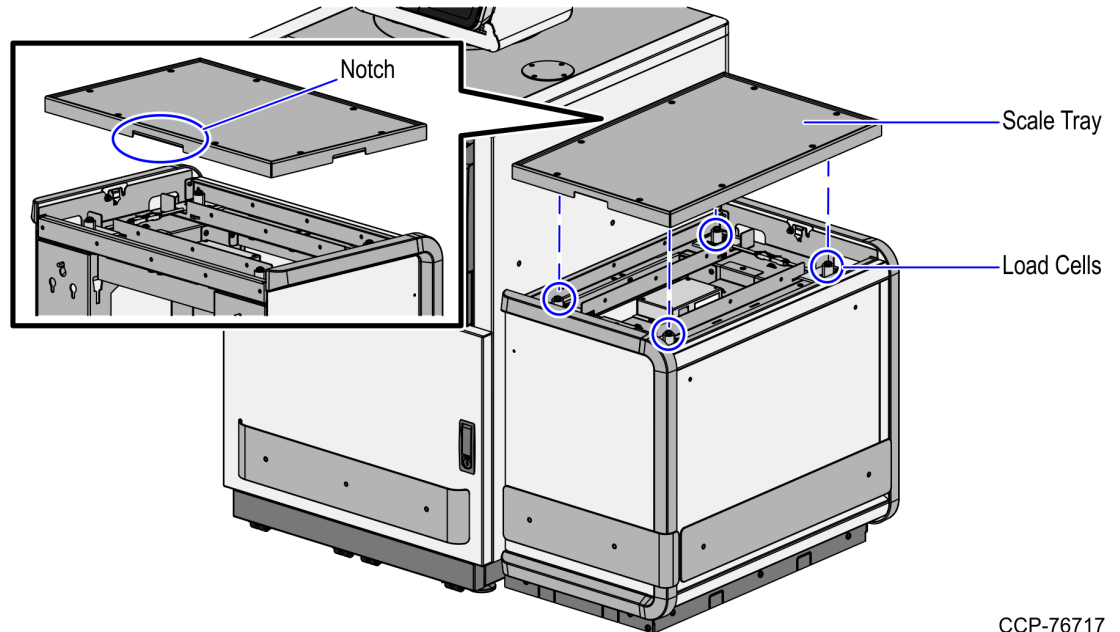
4. Mount and secure the Rear Bagwell Panel using one (1) nut.



5. Place the Scale Tray on top of the four (4) load cells of the Bagwell as shown in the images below.



Note: Ensure that the Scale Tray is placed on its correct orientation by placing the side with a notch on the inner side.



CCP-76717

Installing Scale Tray Fence

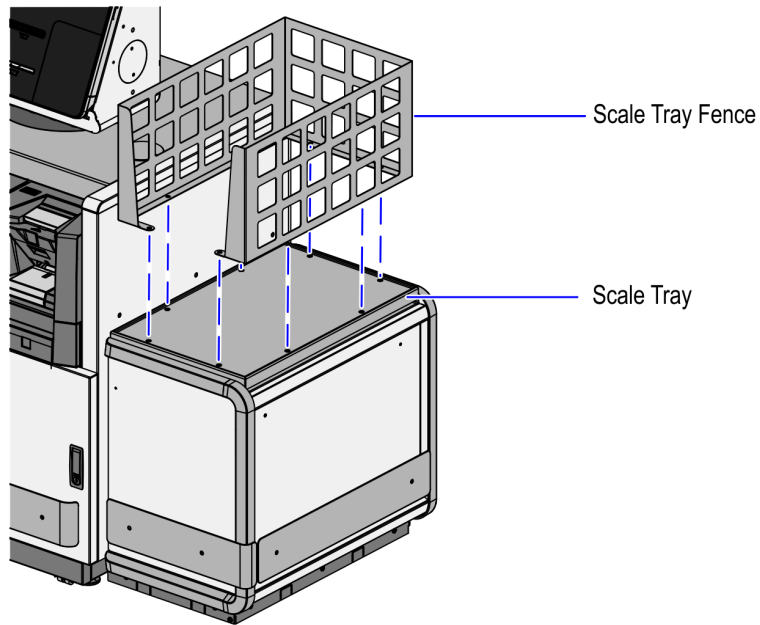
To install the Scale Tray Fence, follow these steps:

1. Remove eight (8) screws from the Scale Tray, if necessary.



Note: Set aside these screws for re-installation.

2. Align the screw slots of the Scale Tray Fence to the corresponding mounting holes on the Scale Tray.



3. Secure the Scale Tray Fence on the Scale Tray using eight (8) screws, as shown in the image below.



Note: Reuse the screws previously set aside.

