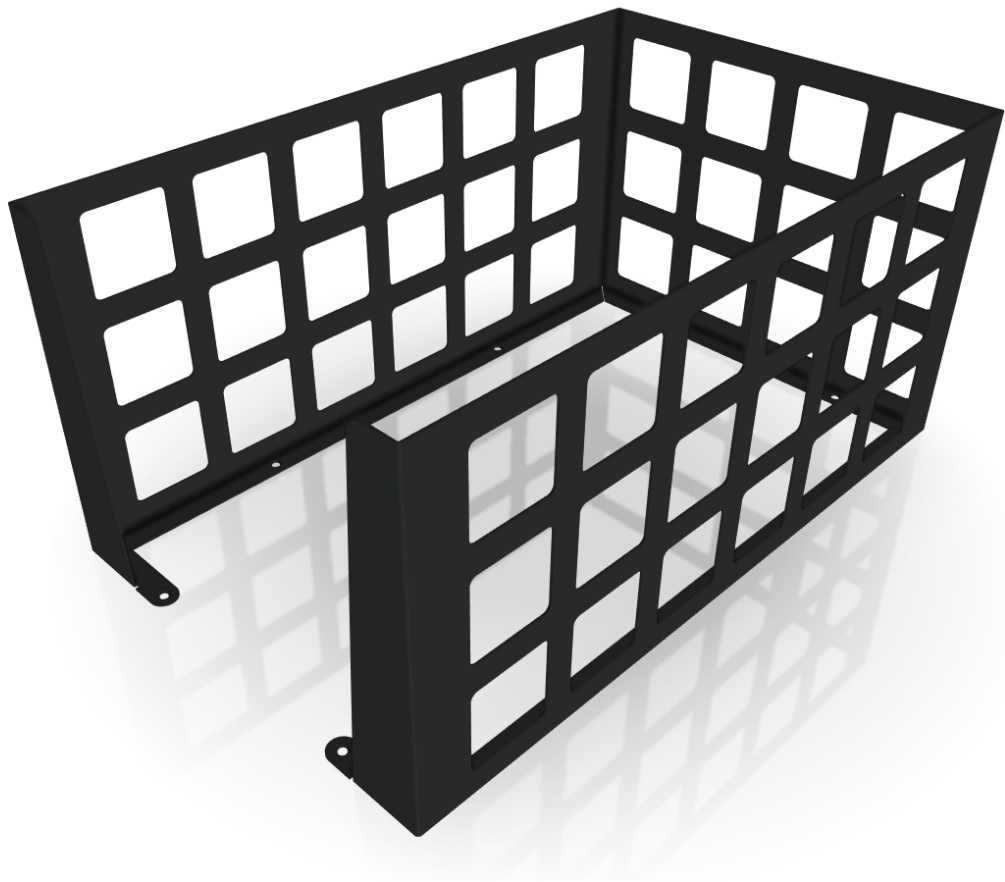


Kit Instructions

Scale Tray Fence



7364-K460
Issue A



The product described in this document is a licensed product of NCR Corporation.

NCR is a registered trademark of NCR Corporation. NCR FastLane SelfServ™ Checkout is a trademark of NCR Corporation in the United States and/or other countries. Other product names mentioned in this publication may be trademarks or registered trademarks of their respective companies and are hereby acknowledged.

Where creation of derivative works, modifications or copies of this NCR copyrighted documentation is permitted under the terms and conditions of an agreement you have with NCR, NCR's copyright notice must be included.

It is the policy of NCR Corporation (NCR) to improve products as new technology, components, software, and firmware become available. NCR, therefore, reserves the right to change specifications without prior notice.

All features, functions, and operations described herein may not be marketed by NCR in all parts of the world. In some instances, photographs are of equipment prototypes. Therefore, before using this document, consult with your NCR representative or NCR office for information that is applicable and current.

To maintain the quality of our publications, we need your comments on the accuracy, clarity, organization, and value of this book. Please use the link below to send your comments.

Email: FD230036@ncr.com

Copyright © 2019
By NCR Corporation
Global Headquarters
864 Spring St. NW
Atlanta, GA 30308
United States
All Rights Reserved

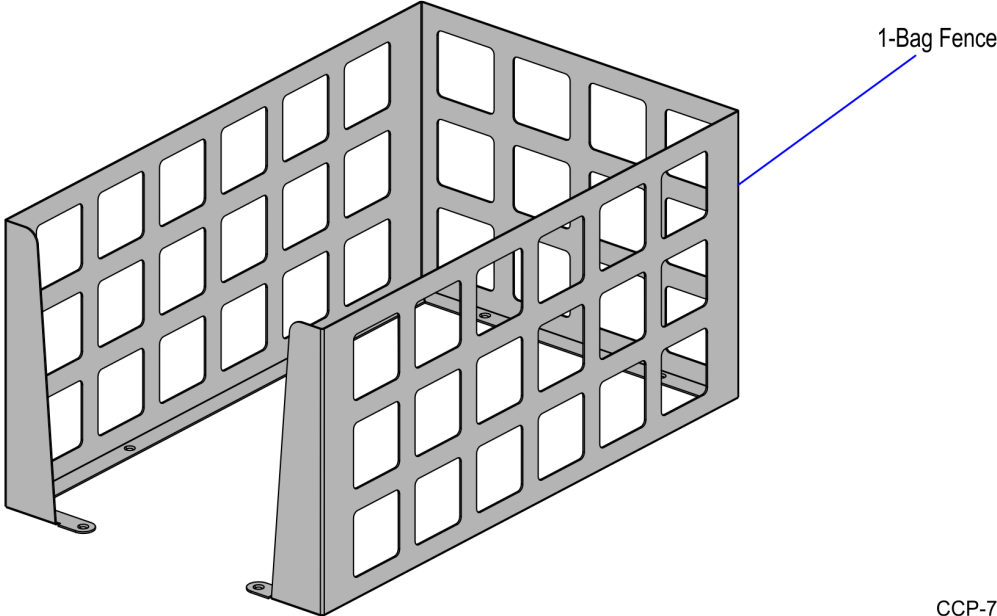
Revision Record

Issue	Date	Remarks
A	May 2019	First Issue

Scale Tray Fence

The Scale Tray Fence is designed to keep a large number of items on the Scale Tray. This publication provides procedures for installing a Scale Tray Fence on a 1-Bag NCR FastLane SelfServ™ Checkout (7364) unit.

Kit Contents



CCP-76733

Part Number	Description
497-0525428	Kit - Scale Tray 1 Bag - Stainless Steel
497-0521880	Fence - 1-Bag
* 497-0423108	Kit Instructions (Reference Sheet)

* Items marked with an asterisk are not called out on the image.

Installation Procedures

Installing the Scale Tray Fence involves the following procedures:

1. Remove the existing Scale Tray Fence, if necessary. For more information, refer to [Removing Scale Tray Fence](#) on the facing page.
2. Install the new Scale Tray Fence. For more information, refer to [Installing Scale Tray Fence](#) on page 4.

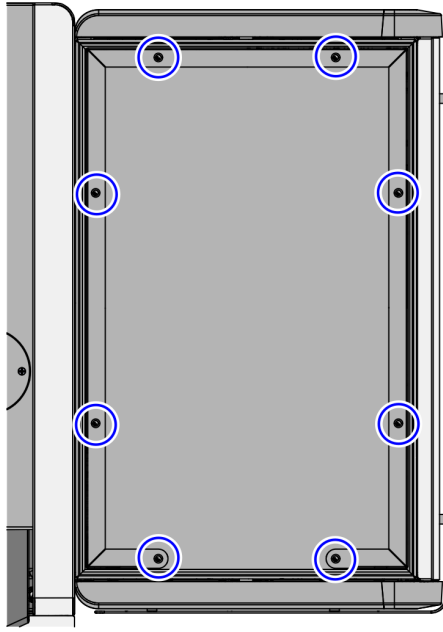
Removing Scale Tray Fence

To remove the Scale Tray Fence from the Bagwell, follow these steps:

1. Remove eight (8) screws securing the fence on the Scale Tray.

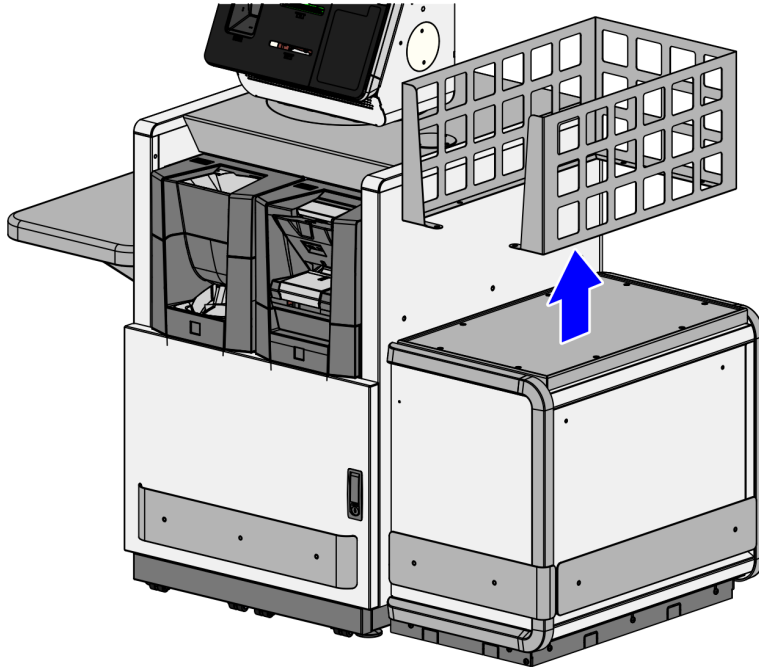


Note: Set aside these screws for re-installation.



CCP-76724

2. Lift and remove the fence from the Scale Tray.



CCP-76729

Installing Scale Tray Fence

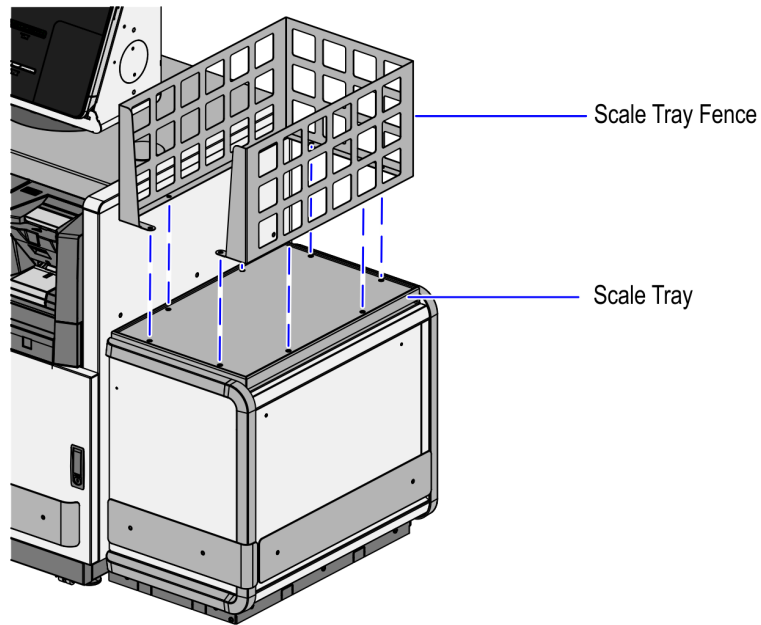
To install the Scale Tray Fence, follow these steps:

1. Remove eight (8) screws from the Scale Tray, if necessary.



Note: Set aside these screws for re-installation.

2. Align the screw slots of the Scale Tray Fence to the corresponding mounting holes on the Scale Tray.



- Secure the Scale Tray Fence on the Scale Tray using eight (8) screws, as shown in the image below.



Note: Reuse the screws previously set aside.

