

# Kit Instructions

Ingenico Lane 5000 and Axiohm TPOS 58mm Mount



7364-K426  
Issue A



---

The product described in this document is a licensed product of NCR Corporation.

NCR is a registered trademark of NCR Corporation. NCR FastLane SelfServ™ Checkout is a trademark of NCR Corporation in the United States and/or other countries. Other product names mentioned in this publication may be trademarks or registered trademarks of their respective companies and are hereby acknowledged.

Where creation of derivative works, modifications or copies of this NCR copyrighted documentation is permitted under the terms and conditions of an agreement you have with NCR, NCR's copyright notice must be included.

It is the policy of NCR Corporation (NCR) to improve products as new technology, components, software, and firmware become available. NCR, therefore, reserves the right to change specifications without prior notice.

All features, functions, and operations described herein may not be marketed by NCR in all parts of the world. In some instances, photographs are of equipment prototypes. Therefore, before using this document, consult with your NCR representative or NCR office for information that is applicable and current.

To maintain the quality of our publications, we need your comments on the accuracy, clarity, organization, and value of this book. Please use the link below to send your comments.

Email: [FD230036@ncr.com](mailto:FD230036@ncr.com)

Copyright © 2018  
By NCR Corporation  
864 Spring St. NW  
Atlanta, GA 30308  
United States  
All Rights Reserved

## Revision Record

Issue	Date	Remarks
A	Dec 2018	First Issue

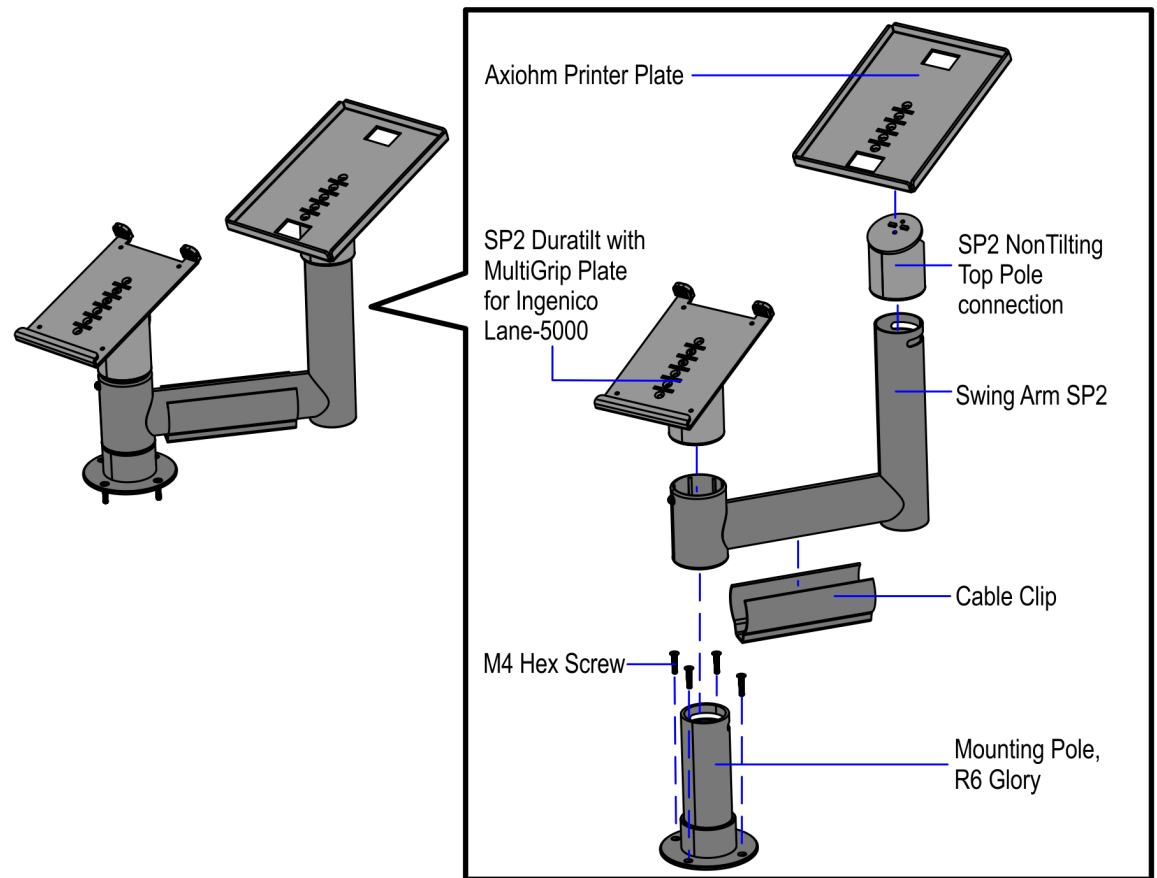
---

# Ingenico Lane 5000 and Axiohm TPOS 58mm Mount

---

This publication provides procedures for installing a Ingenico Lane 5000 and Axiohm TPOS 58mm Mount on an NCR FastLane SelfServ™ Checkout (7364) R6-G unit.

## Kit Contents



CCP-74472

Part Number	Description
497-0522550	7364-K426 Ingenico Lane 5000 and Axiohm TPOS 58mm Mount
497-0519576	Axiohm Printer Tray
497-0522429	SP2 Non-Tilting Top Pole Connection
497-0522427	Swing Arm SP2
497-0522430	Cable Clip
497-0522428	SP2 Duratilt with Multigrip Plate Plate for Ingenico Lane 5000
497-0522428	Mounting Pole, R6 Glory
M9901-0420-02	M4 Hex Screw

## Installation Procedure

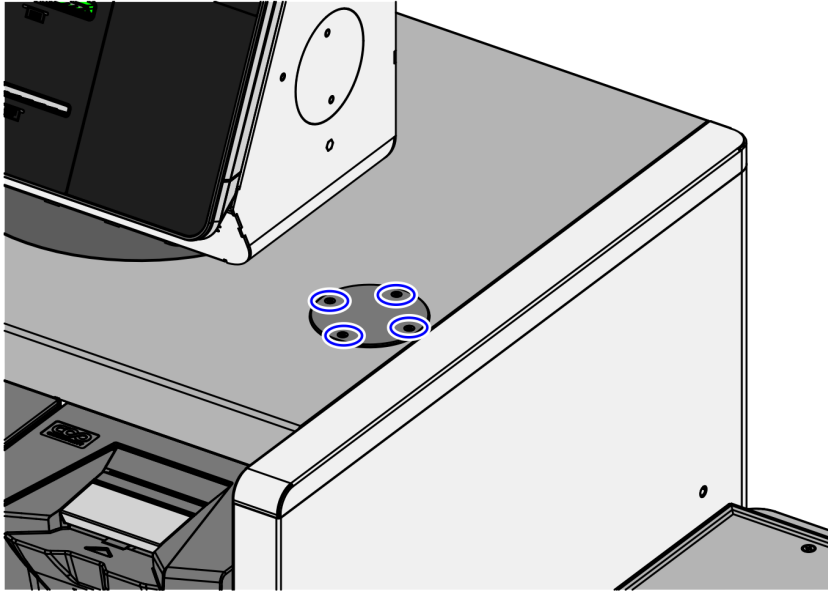
Installing the Ingenico Lane 5000 and Axiohm TPOS 58mm Mount on an R6-G unit involves the following procedures:

- A. Installing the Ingenico Lane 5000 and Axiohm TPOS 58mm mount on the Core Cabinet. For more information, refer to [Installing the Ingenico Lane 5000 and Axiohm TPOS 58mm Mount](#) on the next page.
- B. Routing the Ground Strap Cable into the Core Cabinet. For more information, refer to [Routing Ground Strap Cable](#) on page 10.
- C. Routing the Ingenico Lane 5000 and Axiohm TPOS 58mm Cables into the Core Cabinet. For more information, refer to [Routing Ingenico Lane 5000 and Axiohm TPOS 58mm Cables](#) on page 12.

## Installing the Ingenico Lane 5000 and Axiohm TPOS 58mm Mount

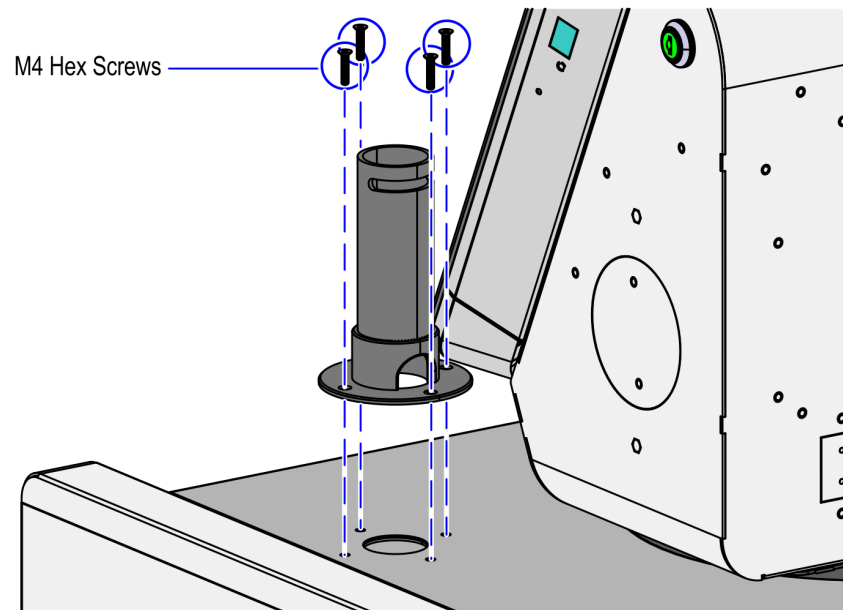
To install the Ingenico Lane 5000 and Axiohm TPOS 58mm Mount to the Core Cabinet, follow these steps:

1. Remove four M4 flat head screws securing the PIN Pad Blank.



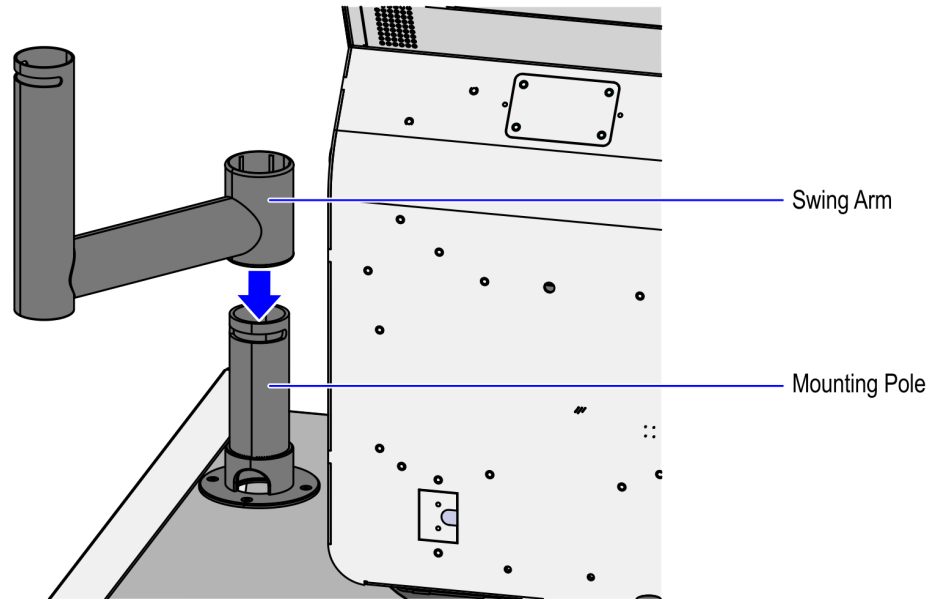
CCP-74482

2. Secure the Mounting Pole on the Core Cabinet using four M4 Hex Screws. Ensure that the Pole holes are positioned as shown in the image below.



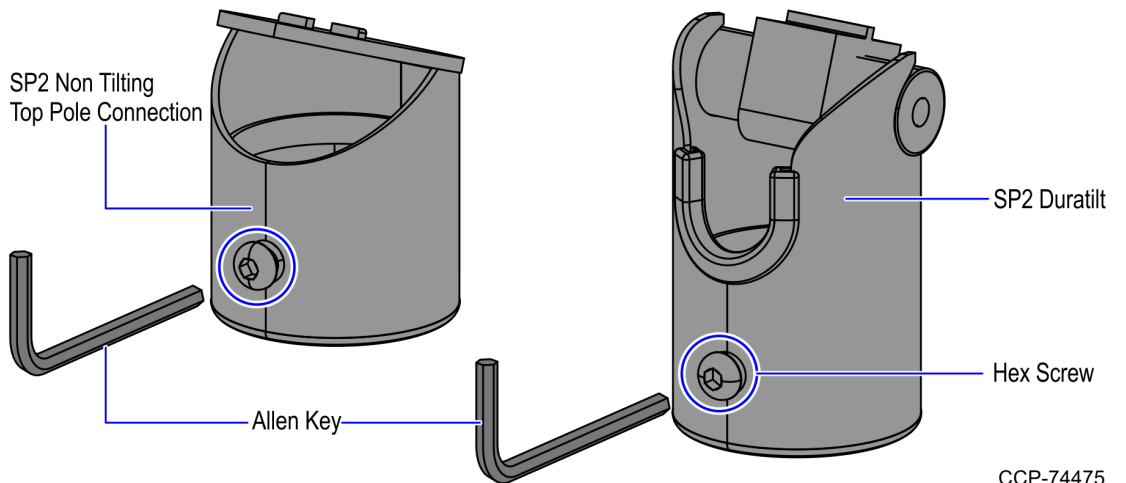
CCP-74533

3. Attach the Swing Arm into the Mounting Pole as shown in the image below.



CCP-74534

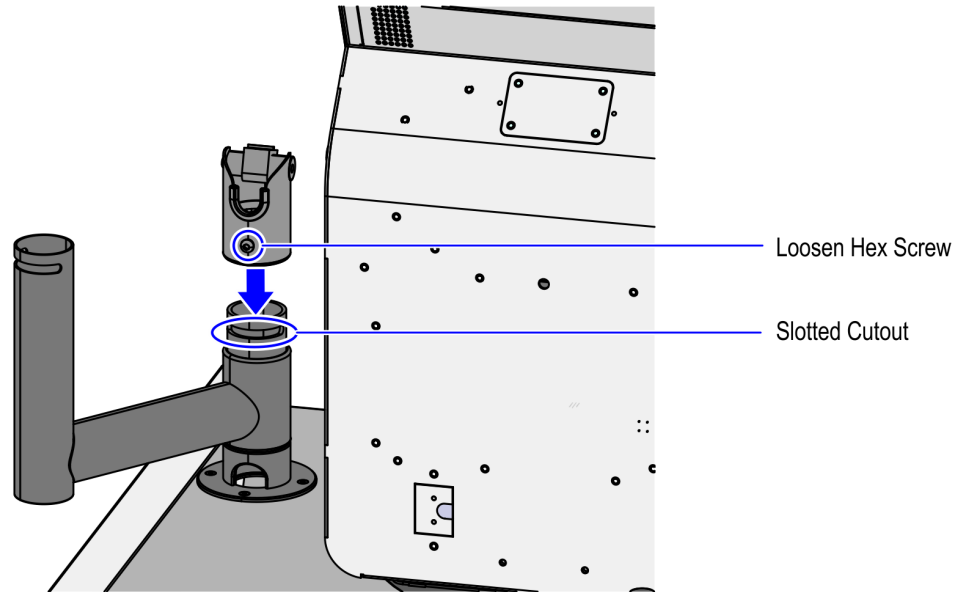
4. Using an allen key, loosen each screw on the SP2 Duratilt and SP2 NonTilting Top Pole Connection.



CCP-74475

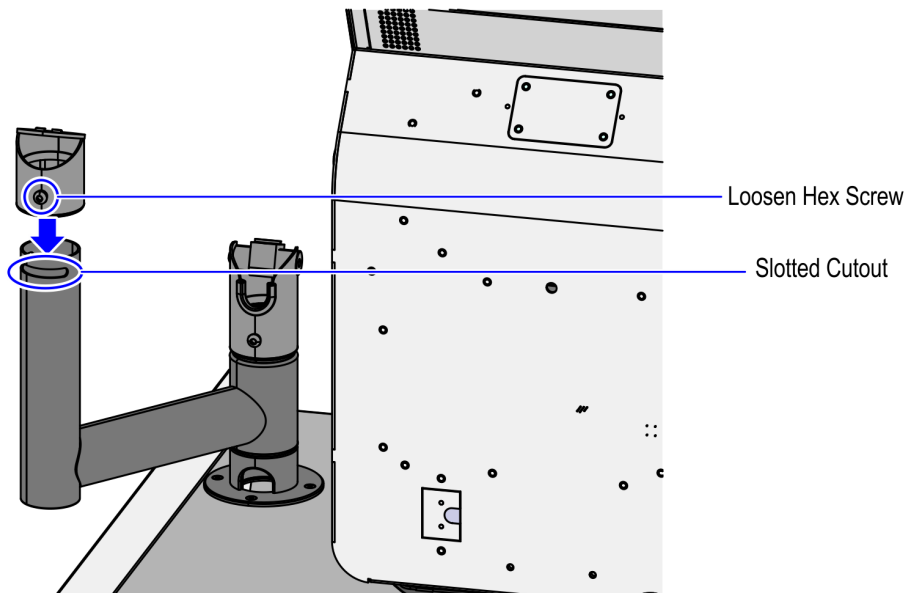


5. Attach the SP2 Duratilt to the Mounting Pole by aligning the hex screw with the slotted cutout as shown in the image below.



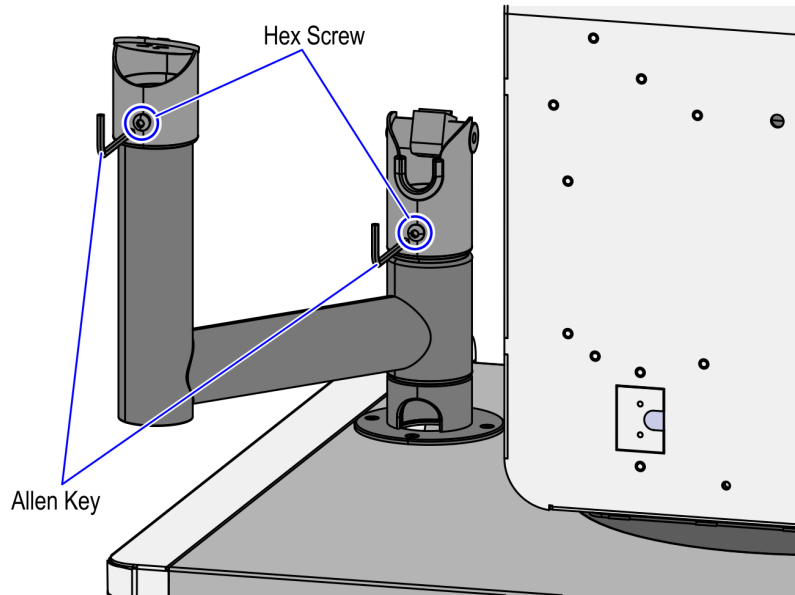
CCP-74535

6. Attach the SP2 NonTilting Top Pole Connection to the Swing Arm by aligning the hex screw with the slotted cutout as shown in the image below.



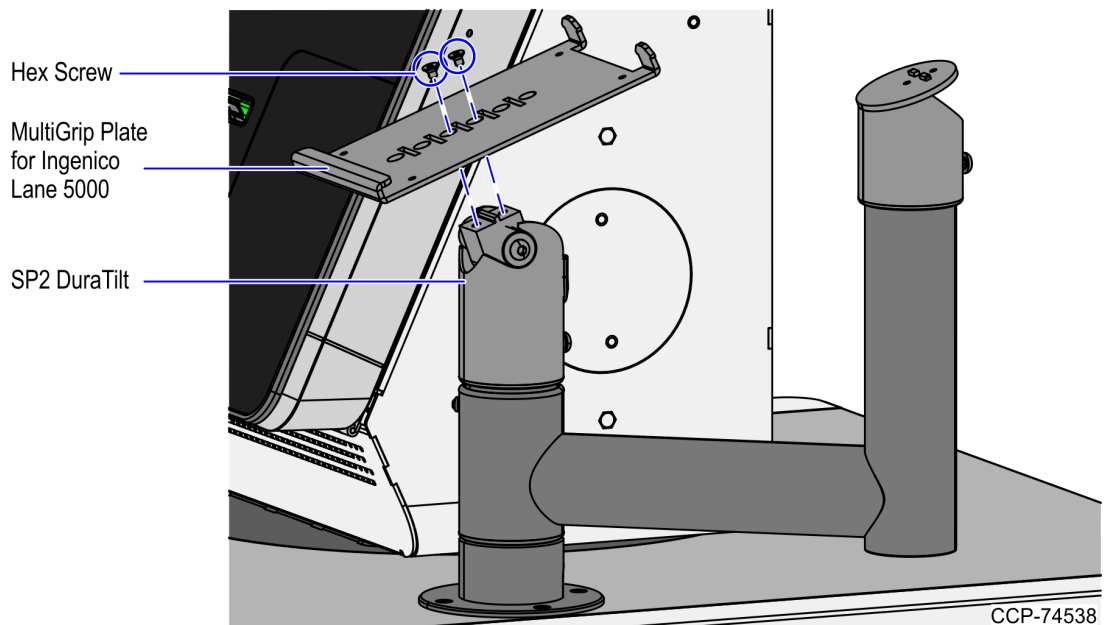
CCP-74536

7. Turn the SP2 Duratilt and SP2 Nontilting Top Pole Connection to the desired position and then tighten the corresponding hex screws using an allen key.



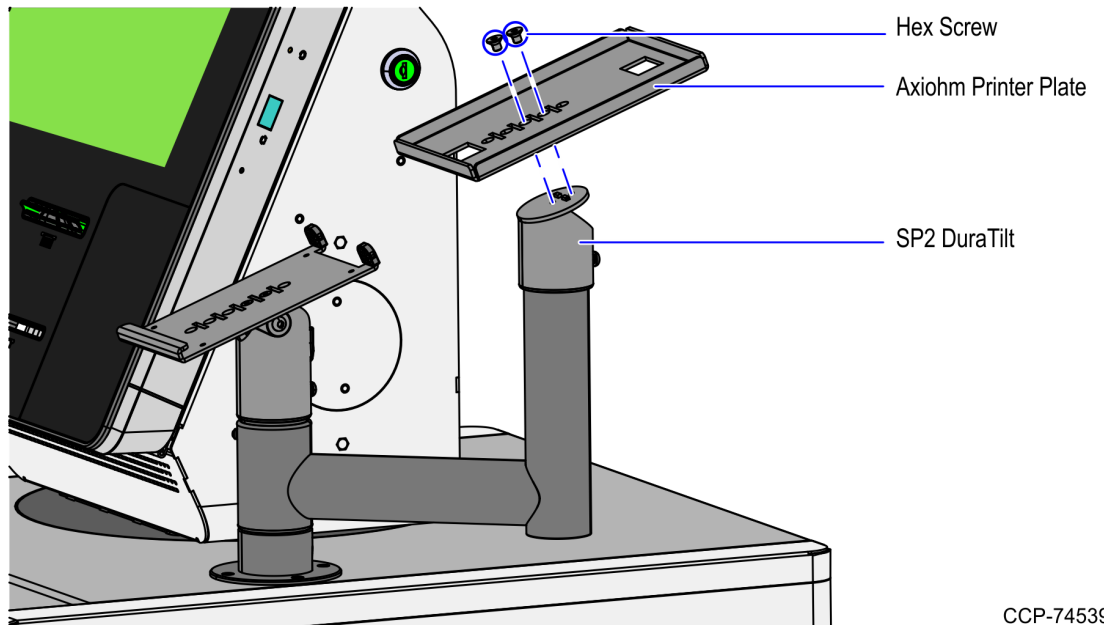
CCP-74537

8. Install the MultiGrip Plate for Ingenico Lane-5000 to the SP2 Duratilt using two hex screws.

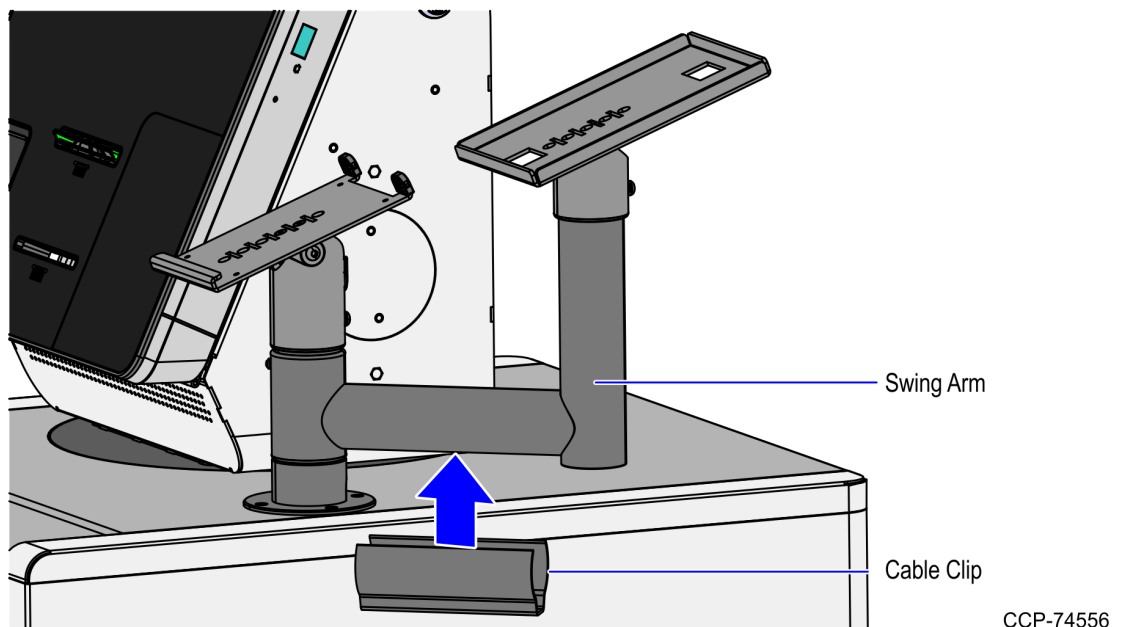


CCP-74538

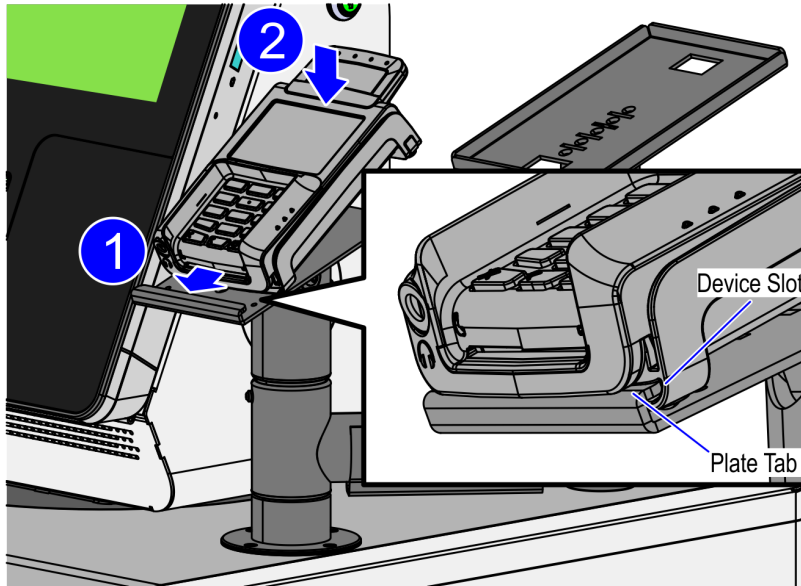
9. Install the Axiohm Printer Plate to the SP2 NonTilting Top Pole Connection using two hex screws.



10. Attach the Cable Clip into the Swing Arm as shown in the image below.

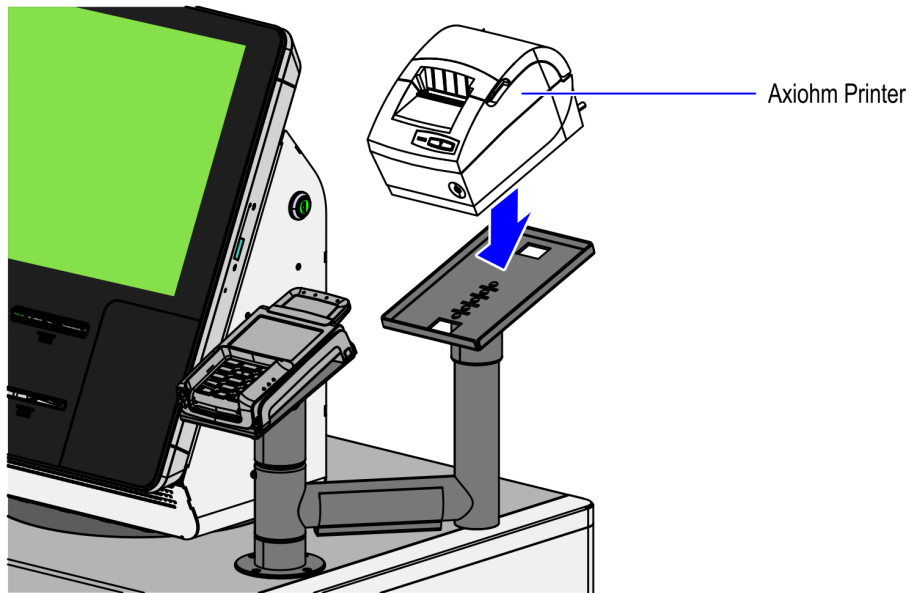


11. Place the Ingenico Lane 5000 into the MultiGrip Plate by inserting the Ingenico Lane 5000 device slot into the MultiGrip Plate tab as shown in the image below.



CCP-74484

12. Place the Axiohm Printer into the Axiohm Printer Plate.



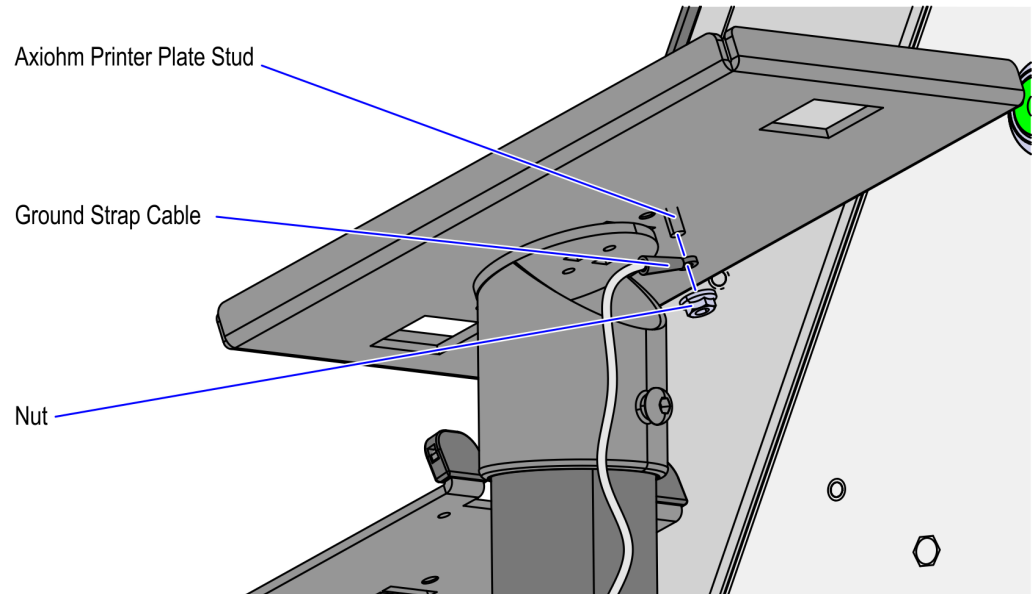
CCP-74485

13. Route the Ground Strap cable. For more information, refer to [Routing Ground Strap Cable](#) on the next page.

## Routing Ground Strap Cable

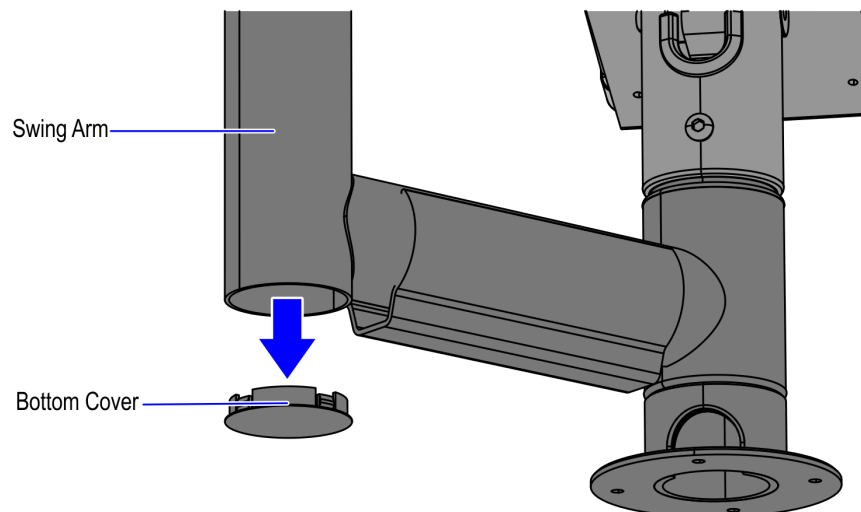
To route the Ground Strap Cable into the Core Cabinet, follow these steps:

1. Install the Ingenico Lane 5000 and Axiohm TPOS 58mm mount on the Core Cabinet. For more information, refer to [Installing the Ingenico Lane 5000 and Axiohm TPOS 58mm Mount](#) on page 4.
2. Install the Ground Strap cable into the stud of the Axiohm Printer Plate and secure it with one nut as shown in the image below.



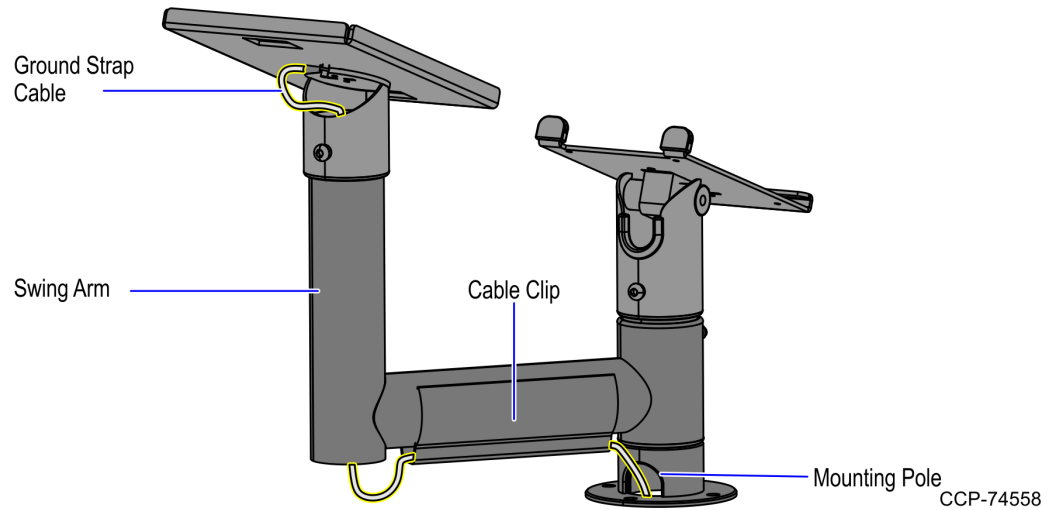
CCP-74557

3. Route the Ground Strap cable by doing the following:
  - a. Remove the bottom cover of the swing arm.



CCP-74486

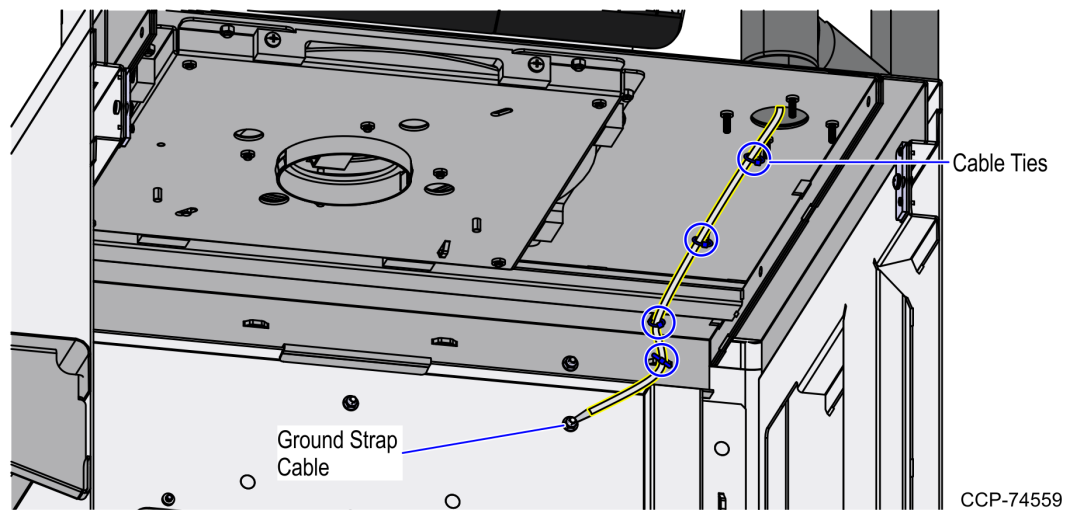
- b. Route the Ground Strap Cable inside the Swing Arm, through the cable clip and into the bottom opening of the Mounting Pole.



- c. Inside the Core Cabinet, route the Ground Strap Cable into the back wall and secure it with one nut as shown in the image below..



**Note:** Secure cable using cable ties.

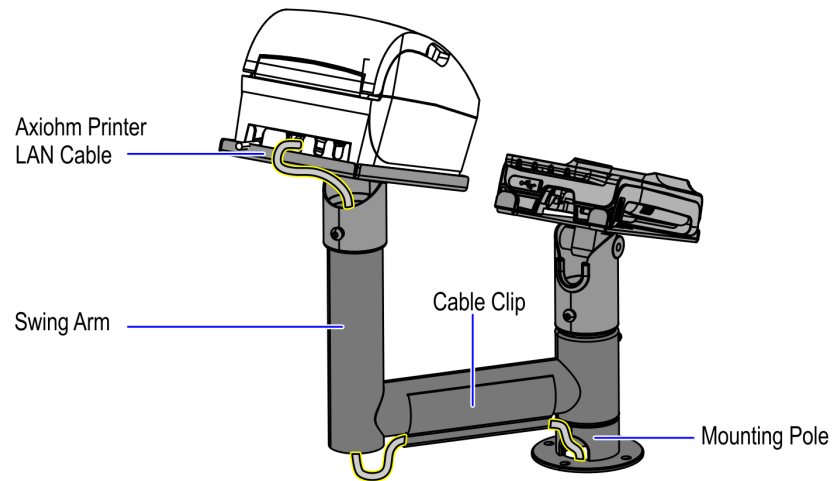


4. Route the Ingenico Lane 5000 and Axiohm Printer cables. For more information, refer to [Routing Ingenico Lane 5000 and Axiohm TPOS 58mm Cables](#) on the next page.

## Routing Ingenico Lane 5000 and Axiohm TPOS 58mm Cables

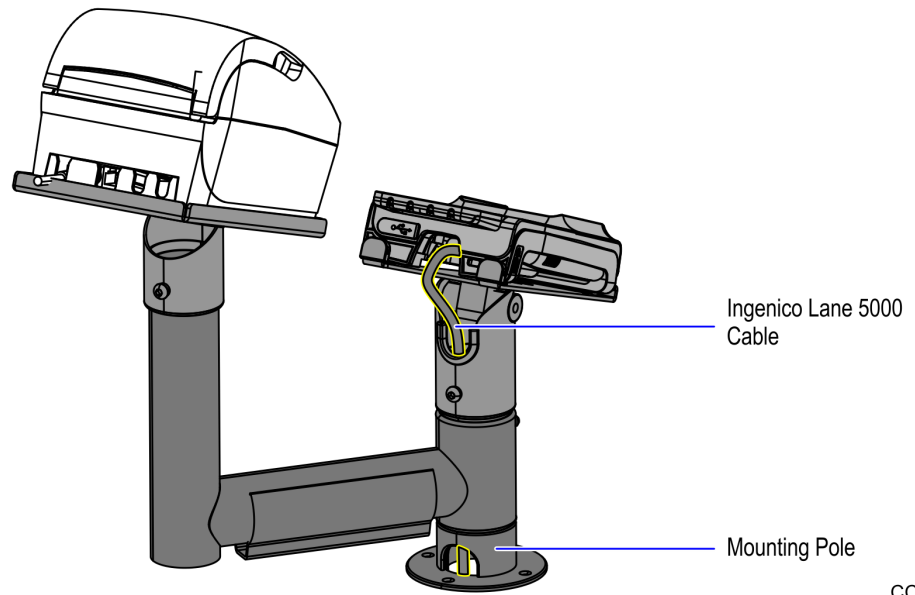
To route the Ingenico Lane 5000 and Axiohm TPOS 58mm cables, follow these steps:

1. Install the Ingenico Lane 5000 and Axiohm TPOS 58mm Mount into the Core Cabinet. For more information, refer to [Installing the Ingenico Lane 5000 and Axiohm TPOS 58mm Mount](#) on page 4
2. Route the Axiohm printer LAN cable and Ingenico Lane 5000 cable by doing the following:
  - Route the Axiohm printer LAN cable inside the Swing Arm, through the cable clip and into the bottom opening of the Mounting Pole.



CCP-74487

- Route the Ingenico Lane 5000 cable through the Mouting Pole and into the Core Cabinet.



CCP-74488



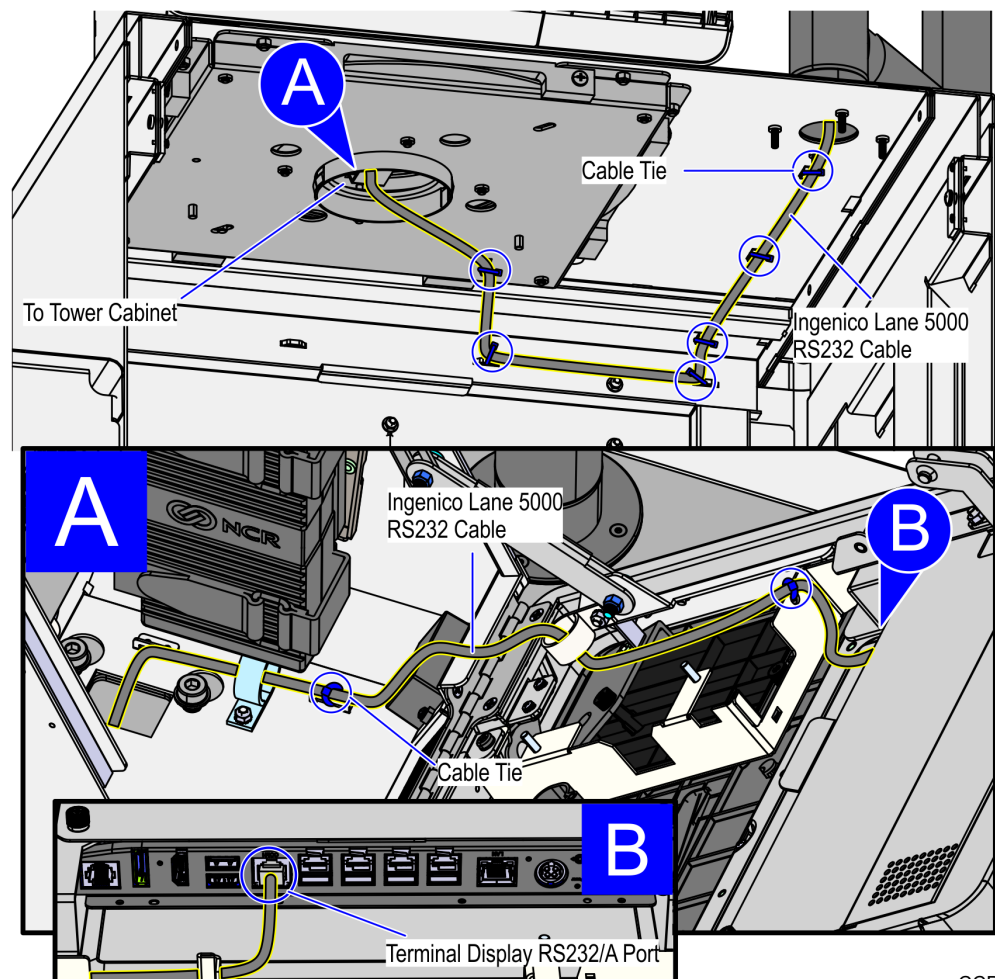
**Note:** The Ingenico Lane 5000 cable have two connectors on the other end.



3. Inside the Core Cabinet, do the following:
  - a. Route the Ingenico Lane 5000 RS232 cable up and into the Tower Cabinet and then connect to the Terminal Display RS232/A Port.



**Note:** Secure cables using cable ties.



- b. Route the Ingenico Lane 5000 and Axiohm printer LAN cables. Depending on the Bagwell orientation, refer to the labels on the image below.



**Note:** Secure cables using cable ties.

