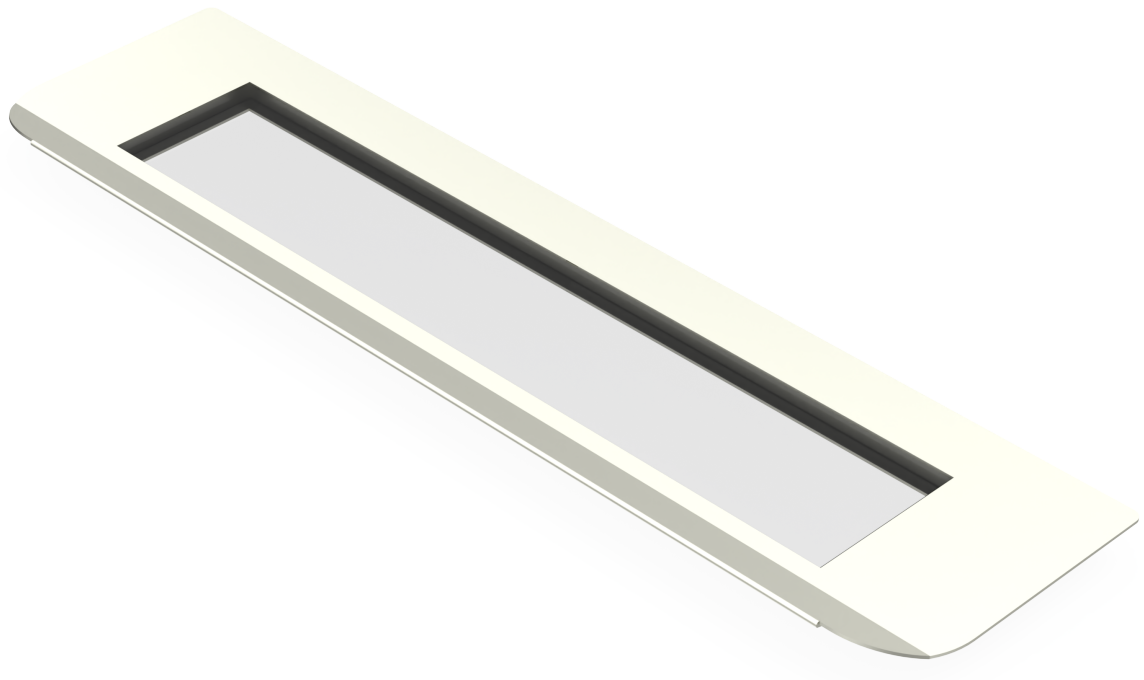


# Kit Instructions

## Top Plate Spill Cover



7364-K356  
Issue A



---

The product described in this document is a licensed product of NCR Corporation.

NCR is a registered trademark of NCR Corporation. NCR FastLane SelfServ™ Checkout is a trademark of NCR Corporation in the United States and/or other countries. Other product names mentioned in this publication may be trademarks or registered trademarks of their respective companies and are hereby acknowledged.

Where creation of derivative works, modifications or copies of this NCR copyrighted documentation is permitted under the terms and conditions of an agreement you have with NCR, NCR's copyright notice must be included.

It is the policy of NCR Corporation (NCR) to improve products as new technology, components, software, and firmware become available. NCR, therefore, reserves the right to change specifications without prior notice.

All features, functions, and operations described herein may not be marketed by NCR in all parts of the world. In some instances, photographs are of equipment prototypes. Therefore, before using this document, consult with your NCR representative or NCR office for information that is applicable and current.

Copyright © 2023  
By NCR Corporation  
Global Headquarters  
864 Spring St. NW  
Atlanta, GA 30308  
United States  
All Rights Reserved

## Revision Record

Issue	Date	Remarks
A	May 2023	First Issue

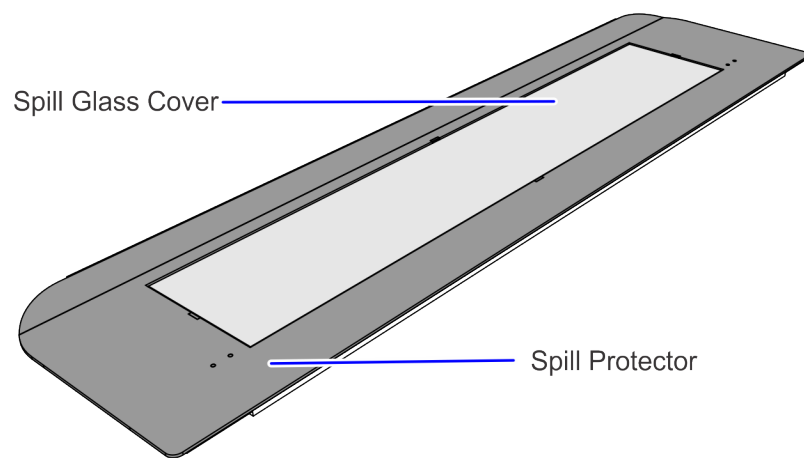
---

# Top Plate Spill Cover

---

This publication provides procedures for installing a Spill Cover on the Top Plate of an NCR FastLane SelfServ™ Checkout (7364) unit.

## Kit Contents



CCP-83811

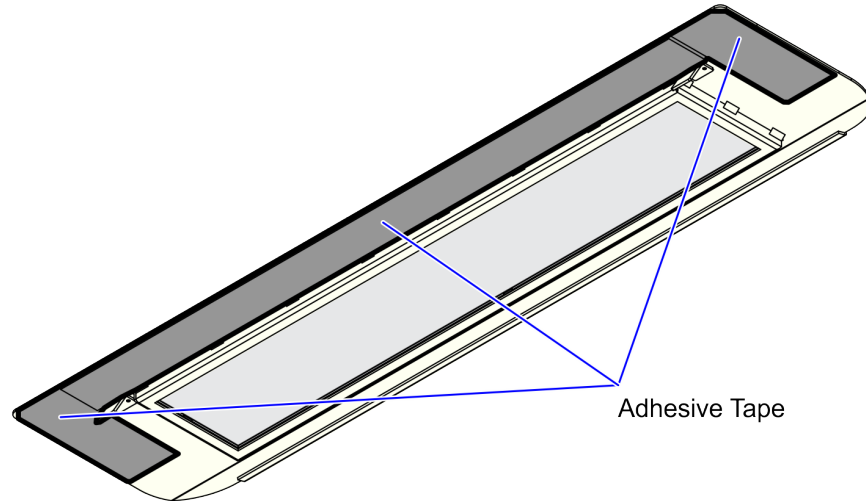
Part Number	Description
497-0532821	7364-K356 Kit - Top Plate Spill Cover - R2.1
497-0534245	Cover - Spill Protector
497-0532794	Spill Glass Cover
* 497-0423108	Instructions Kit (Reference Sheet)

\* Items marked with an asterisk are not called out on the image.

# Installation Procedure

To install the Top Plate Spill Cover, follow these steps:

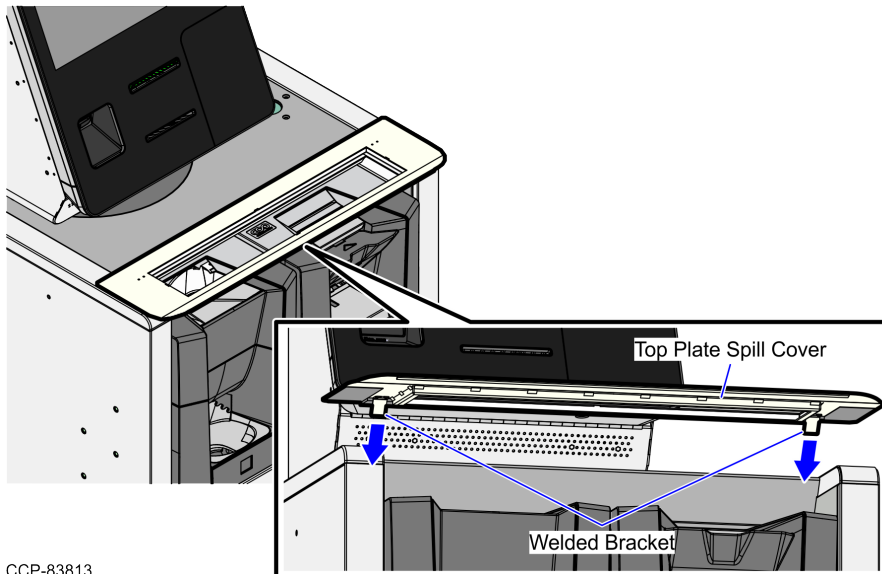
1. Peel off the adhesive tape cover under the Top Plate Spill Cover.



CCP-83812

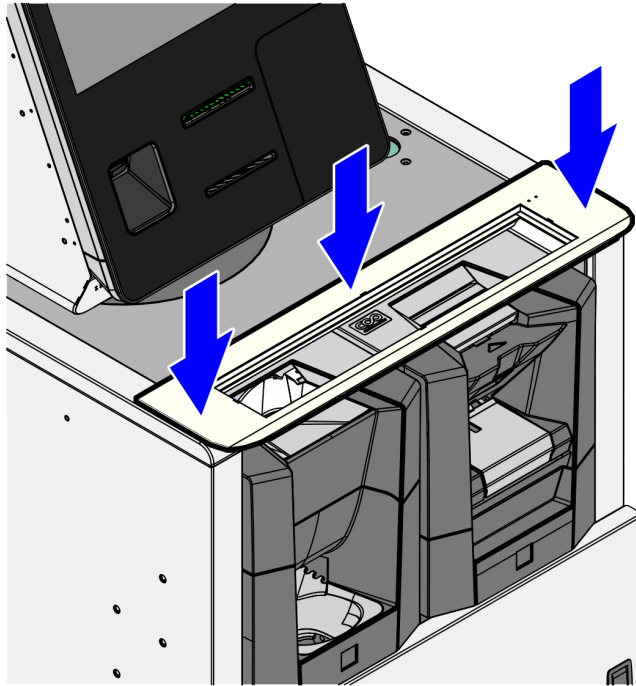
2. Using the welded bracket of the Top Plate Spill Cover as guide, place the Top Plate Spill Cover on top of the Core Cabinet, as shown in the image below.

**! Important:** Ensure that the Top Spill Cover is positioned at the center on top of the Core Cabinet so that the welded brackets fit with the gap of the Core Cabinet. The Top Spill Cover cannot be removed or adjusted once the adhesive is attached.



CCP-83813

3. Press the Top Plate Spill Cover along the sections with adhesives to ensure that it is fully attached on top of the Core Cabinet.



CCP-83814

