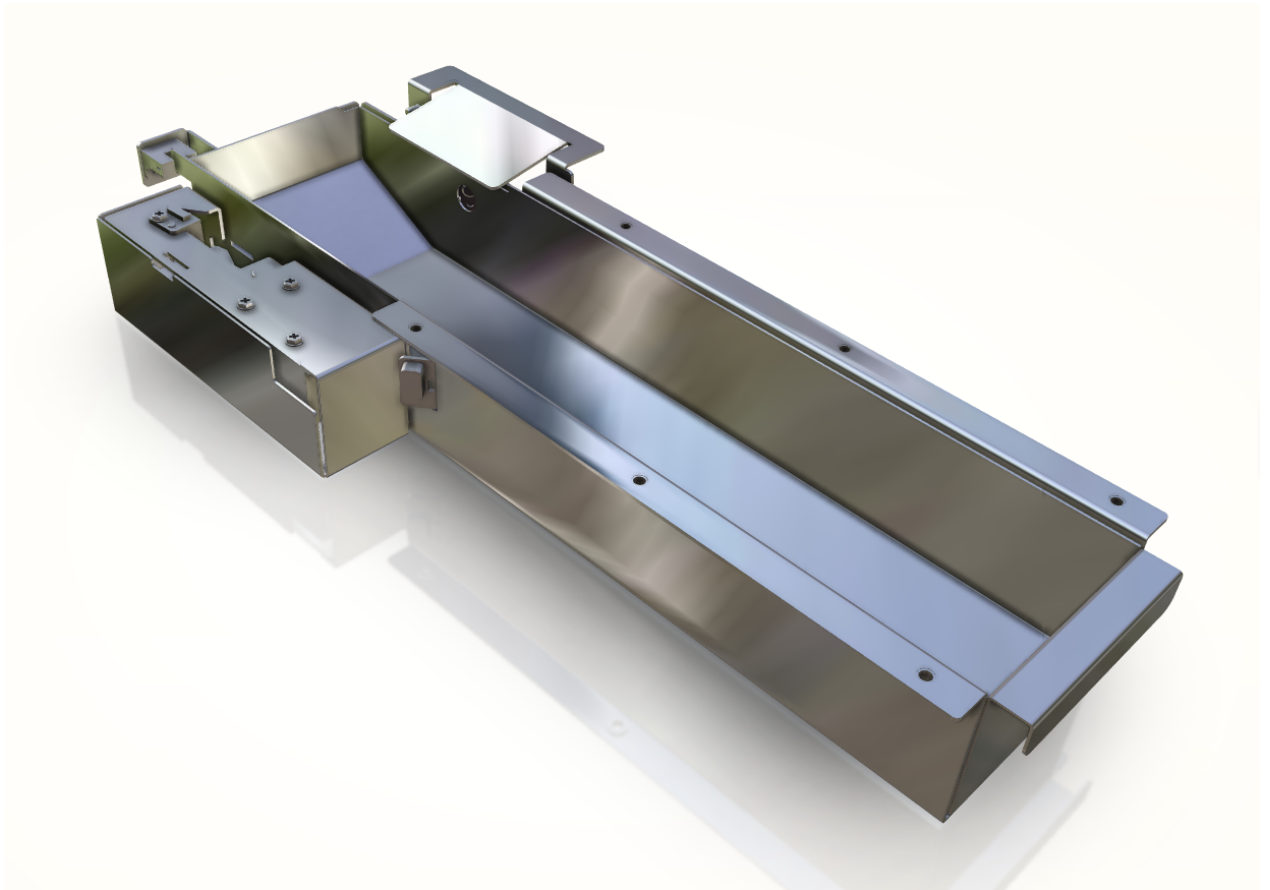


# Kit Instructions

## Coin Overflow Bin



7364-K355  
Issue A



---

The product described in this document is a licensed product of NCR Corporation.

NCR is a registered trademark of NCR Corporation. NCR FastLane SelfServ™ Checkout is a trademark of NCR Corporation in the United States and/or other countries. Other product names mentioned in this publication may be trademarks or registered trademarks of their respective companies and are hereby acknowledged.

Where creation of derivative works, modifications or copies of this NCR copyrighted documentation is permitted under the terms and conditions of an agreement you have with NCR, NCR's copyright notice must be included.

It is the policy of NCR Corporation (NCR) to improve products as new technology, components, software, and firmware become available. NCR, therefore, reserves the right to change specifications without prior notice.

All features, functions, and operations described herein may not be marketed by NCR in all parts of the world. In some instances, photographs are of equipment prototypes. Therefore, before using this document, consult with your NCR representative or NCR office for information that is applicable and current.

To maintain the quality of our publications, we need your comments on the accuracy, clarity, organization, and value of this book. Please use the link below to send your comments.

*Email: [FD230036@ncr.com](mailto:FD230036@ncr.com)*

Copyright © 2018  
By NCR Corporation  
864 Spring St. NW  
Atlanta, GA 30308  
United States

## Revision Record

Issue	Date	Remarks
A	Nov 2018	First Issue

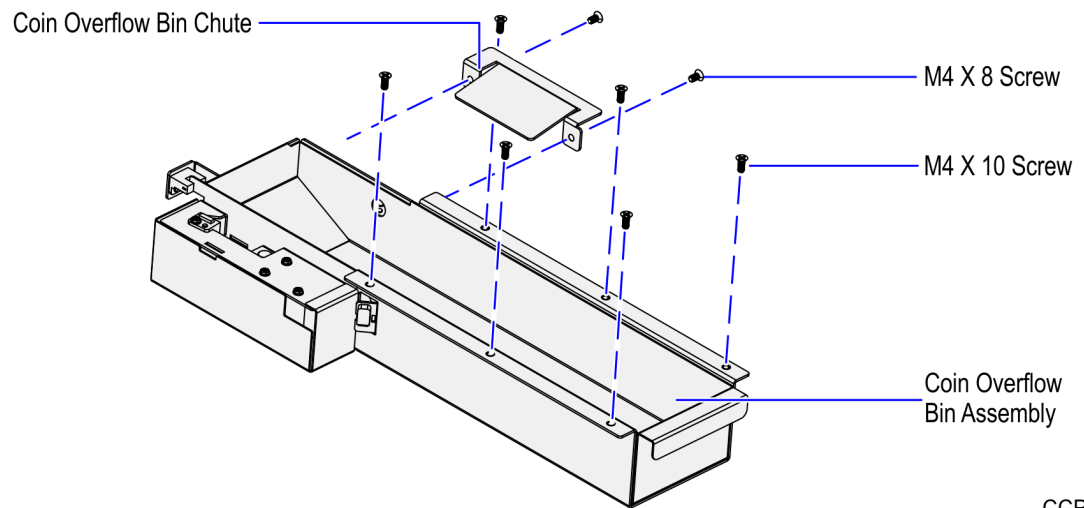
---

# Coin Overflow Bin

---

This publication provides procedures for installing a Coin Overflow Bin in an NCR FastLane SelfServ™ Checkout (7364) R6-G unit.

## Kit Contents



Part Number	Description
497-0523751	7364-K355 Coin Overflow Bin
497-0521947	Coin Overflow Bin Assembly
497-0522515	Coin Overflow Bin Chute
006-8622623	M4 x 10 Screw (6pcs)
006-8624344	M4 x 8 Screw (2pcs)
* 497-0456989	Green Stripe Service Label
* 497-0423108	Kit Instructions (Reference Sheet)
* 497-9999609	Carton Pack
* 007-9714401	Plain Strap Tie

\* Items marked with an asterisk are not called out on the image.

## Installation Procedure

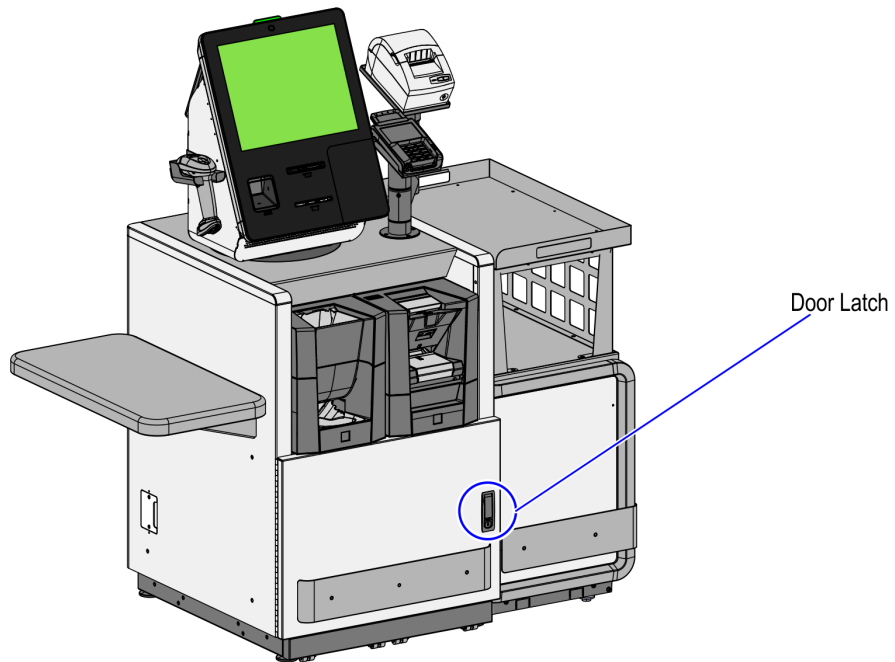
Installing the Coin Overflow Bin in an R6-G unit involves the following procedures:

- A. Removing the existing Coin Recycler (Glory CI-10C). For more information, refer to [Removing Coin Recycler \(Glory CI-10C\)](#) on the facing page.
- B. Installing the Coin Overflow Bin. For more information, refer to [Installing Coin Overflow Bin](#) on page 6.

## Removing Coin Recycler (Glory CI-10C)

To remove the Coin Recycler (Glory CI-10C), follow these steps:

1. Turn off the NCR FastLane SelfServ Checkout software and hardware systems.
2. Open the Core Door by doing the following:
  - a. Insert key into lock on door latch and turn key clockwise.

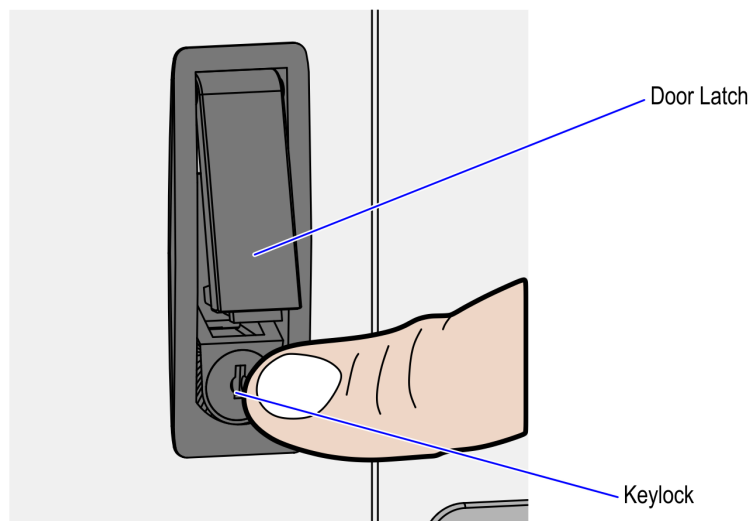


CCP-75509

- b. Remove key and then press the keylock to unlatch the door.

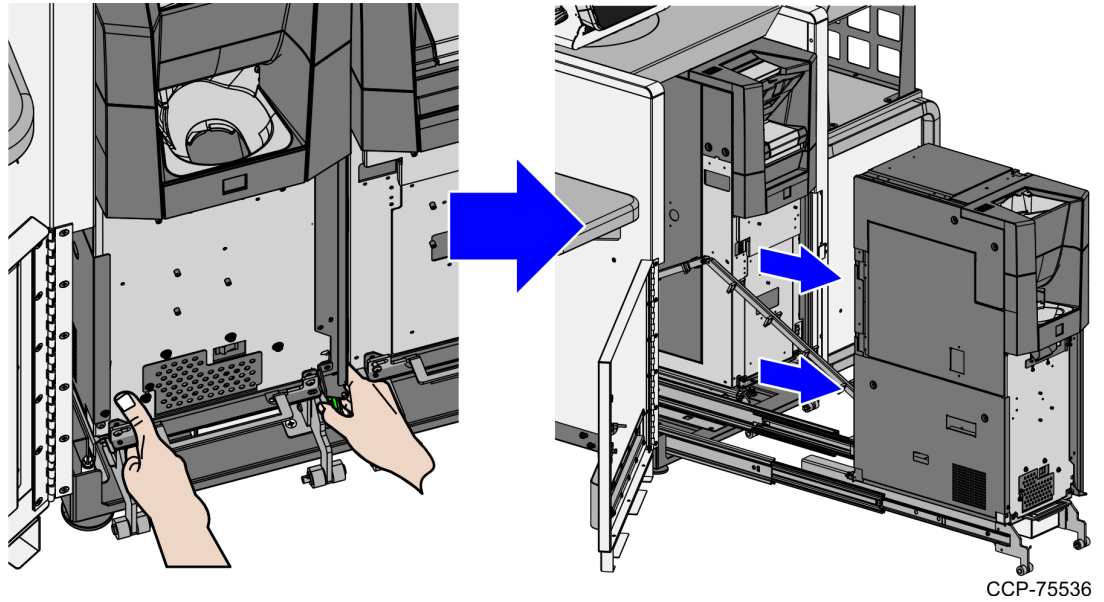


**Caution:** Hold the Core Door down while keylock is pressed because the door will automatically open.

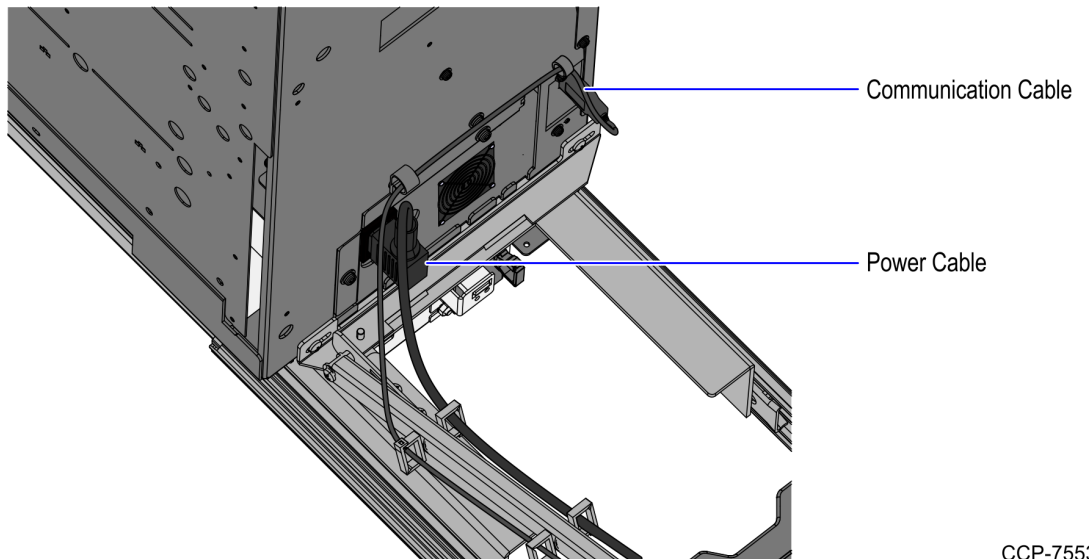


CCP-75510

3. Push the green latch to the right and then rack out Coin Recycler (Glory CI-10C) from the cabinet.

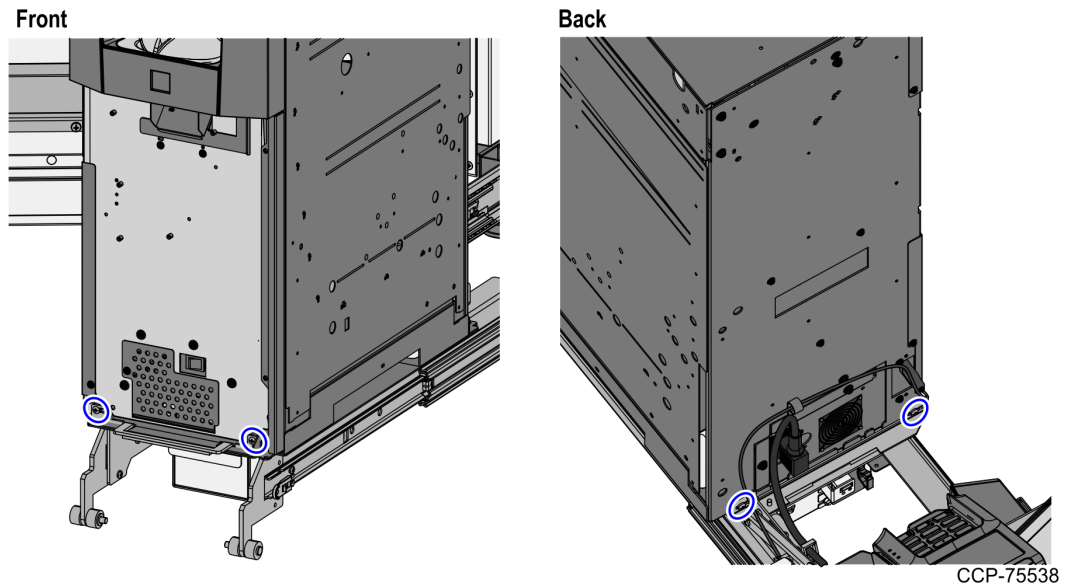


4. Disconnect the power and communication cables from the Coin Recycler (Glory CI-10C).



5. Do the following:

- a. Remove four screws securing the Coin Recycler (Glory CI-10C) on the Coin Recycler Tray.



- b. Lift and then remove the Coin Recycler (Glory CI-10C) from the Coin Recycler Tray.



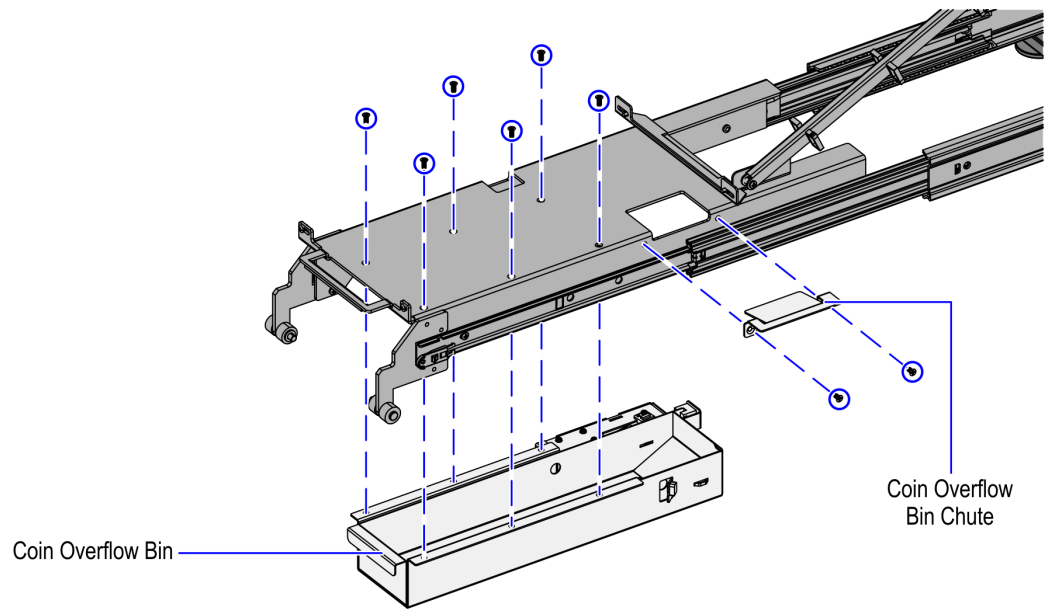
**Caution:** The Coin Recycler (Glory CI-10C) weighs approximately 45 kgs.



## Installing Coin Overflow Bin

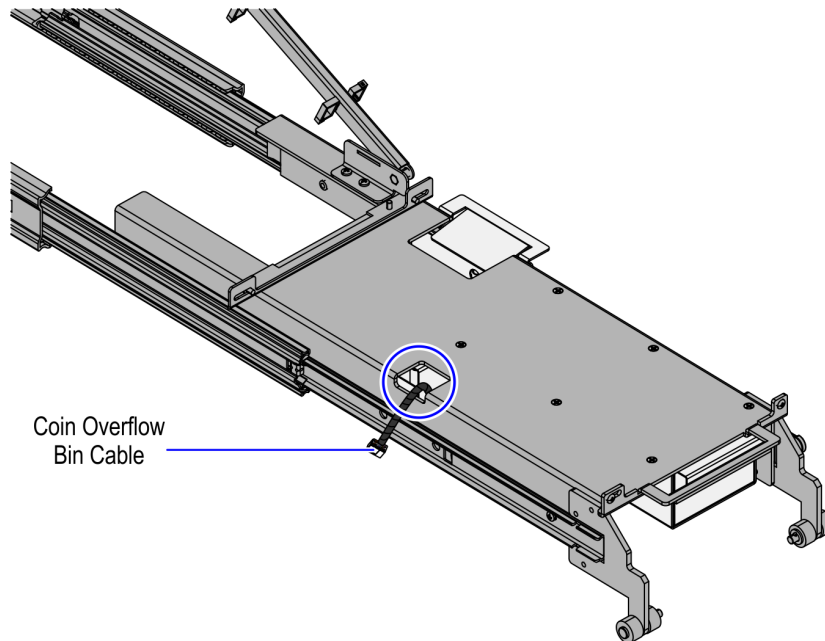
To install the Coin Overflow Bin, follow these steps:

1. Remove the existing Coin Recycler (Glory CI-10C). For more information, refer to [Removing Coin Recycler \(Glory CI-10C\)](#) on page 3.
2. Do the following:
  - a. Secure the Coin Overflow Bin Chute on the side of the Coin Recycler tray using two M4 x 8 screws.
  - b. Secure the Coin Overflow Bin under the Coin Recycler tray using six M4 x 10 screws.



CCP-75541

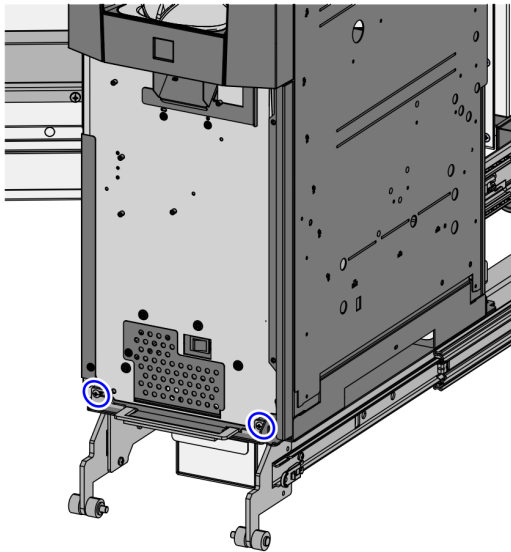
3. Pass the Coin Overflow Bin cable through the hole of the Coin Recycler tray as shown in the image below.



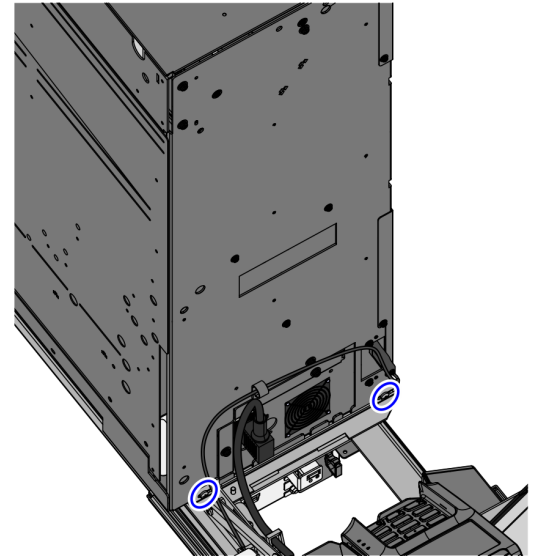
CCP-75542

4. Re-install the Coin Recycler (Glory CI-10C) on the Coin Recycler tray and secure it with four screws.

Front

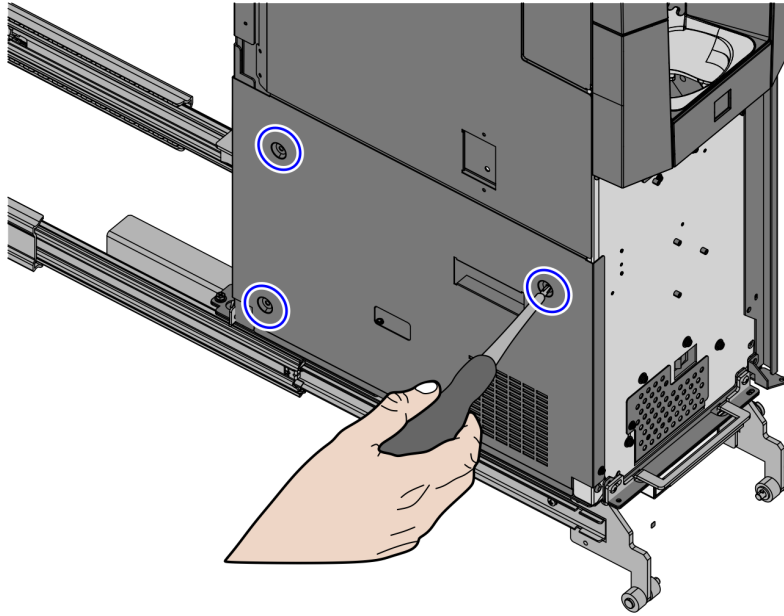


Back



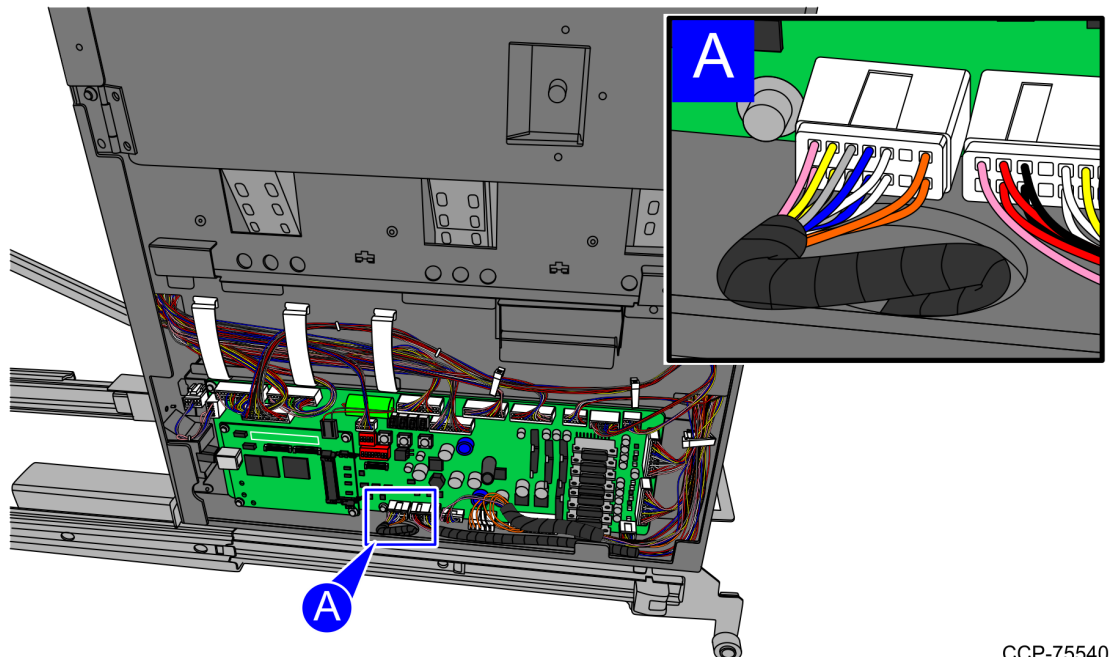
CCP-75538

5. Remove three screws from the side of the Coin Recycler (Glory CI-10C) to open the side cover as shown in the image below.



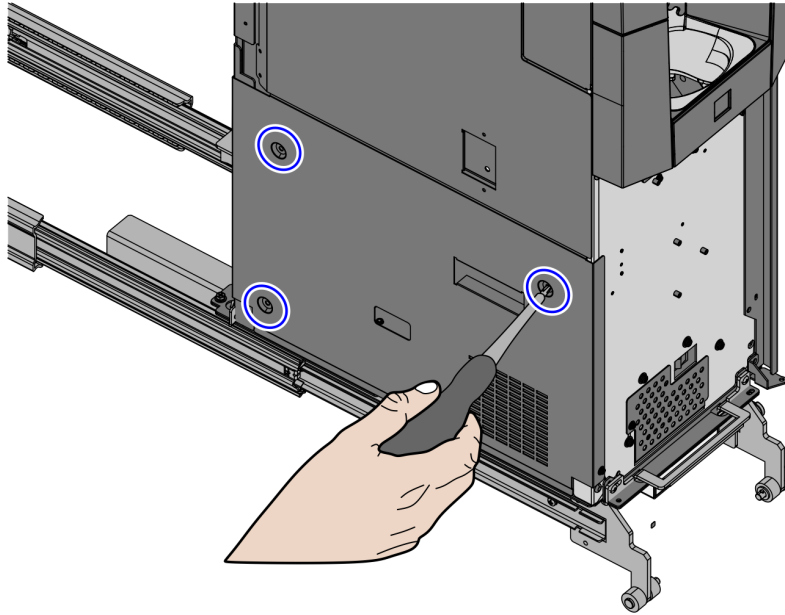
CCP-75539

6. Connect the Coin Overflow Bin cable to the Coin Recycler (Glory CI-10C) connector as shown in the image below.



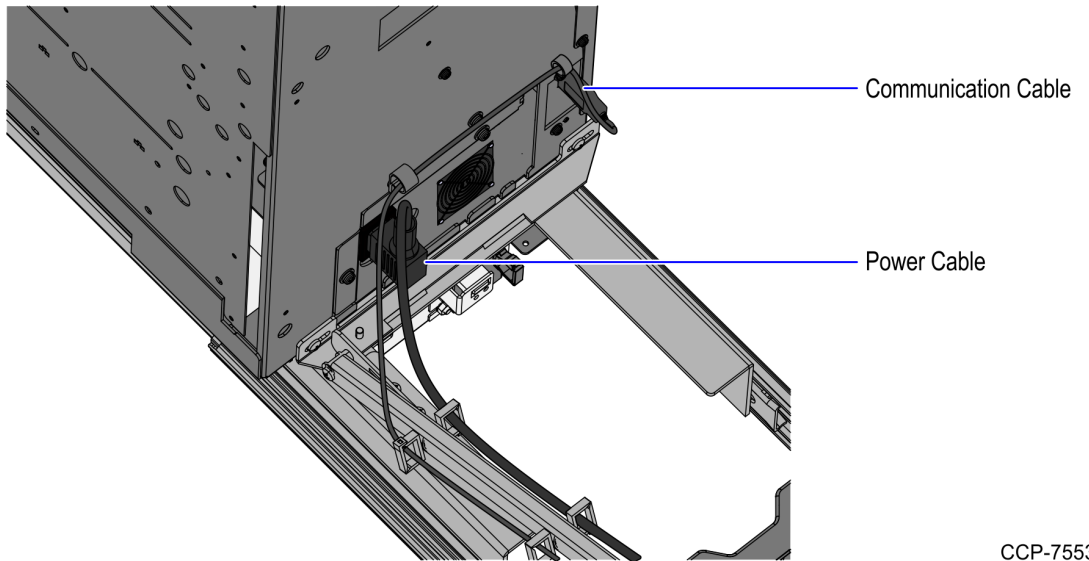
CCP-75540

7. Secure the side cover of the Coin Recycler (Glory CI-10C) using three screws.



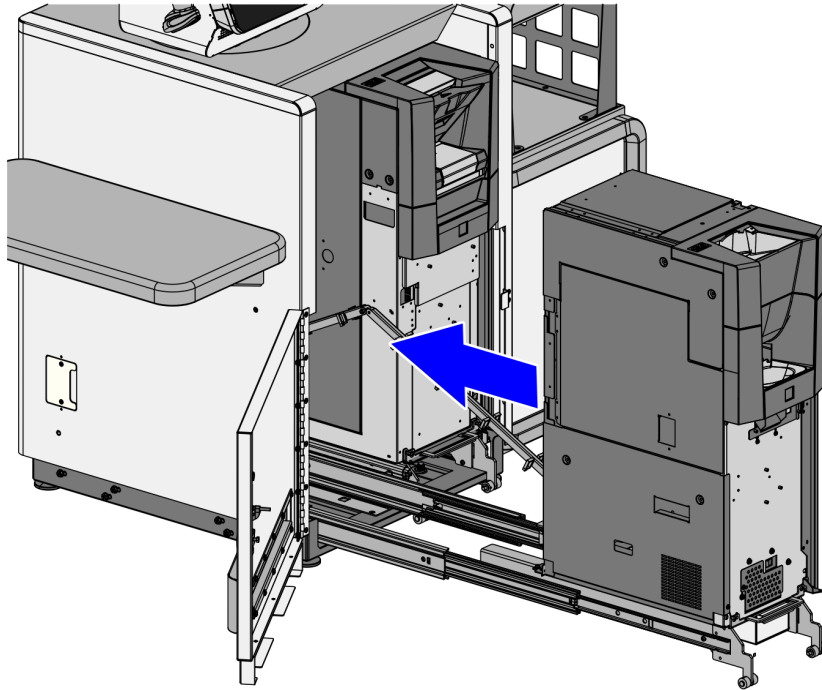
CCP-75539

8. Connect the power and communication cables to the back of the Coin Recycler (Glory CI-10C).



CCP-75537

9. Push the Coin Recycler (Glory CI-10C) back into the Core Cabinet.



CCP-74547

10. Close and lock the Core Door.