

Kit Instructions

Note Interface Cassette (IFC)



7364-K352
Issue A



The product described in this document is a licensed product of NCR Corporation.

NCR is a registered trademark of NCR Corporation. NCR FastLane SelfServ™ Checkout is a trademark of NCR Corporation in the United States and/or other countries. Other product names mentioned in this publication may be trademarks or registered trademarks of their respective companies and are hereby acknowledged.

Where creation of derivative works, modifications or copies of this NCR copyrighted documentation is permitted under the terms and conditions of an agreement you have with NCR, NCR's copyright notice must be included.

It is the policy of NCR Corporation (NCR) to improve products as new technology, components, software, and firmware become available. NCR, therefore, reserves the right to change specifications without prior notice.

All features, functions, and operations described herein may not be marketed by NCR in all parts of the world. In some instances, photographs are of equipment prototypes. Therefore, before using this document, consult with your NCR representative or NCR office for information that is applicable and current.

To maintain the quality of our publications, we need your comments on the accuracy, clarity, organization, and value of this book. Please use the link below to send your comments.

Email: FD230036@ncr.com

Copyright © 2020
By NCR Corporation
Global Headquarters
864 Spring St. NW
Atlanta, GA 30308
United States
All Rights Reserved

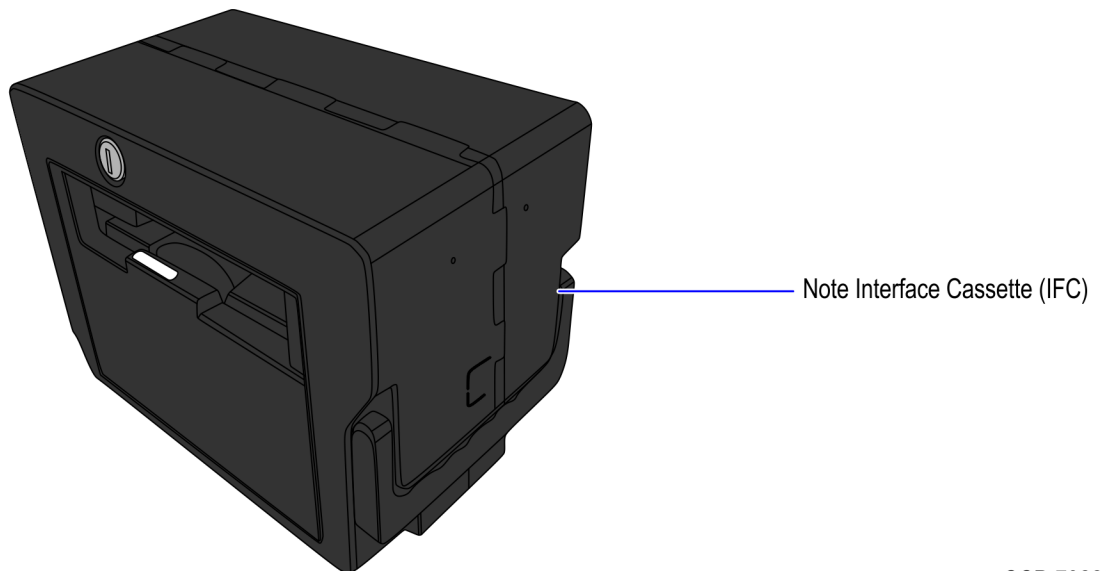
Revision Record

Issue	Date	Remarks
A	Jul 2020	First Issue

Note Interface Cassette (IFC)

The Note Interface Cassette (IFC) collects and replenishes bank notes in the recyclers of the Note Recycler (Glory CI-10B). This publication provides procedures for replacing a Note Interface Cassette (IFC) of the Note Recycler (Glory CI-10B) in an NCR FastLane SelfServ™ Checkout (7364) unit.

Kit Contents



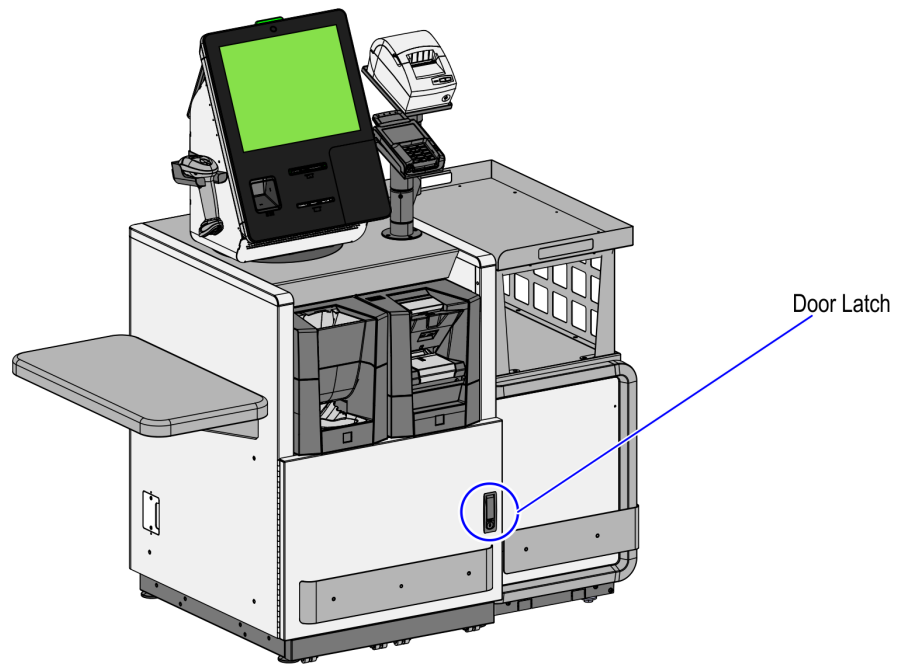
CCP-79220

Part Number	Description
497-0528324	7364-K352 Kit, Note Interface Cassette (IFC)
497-0524271	Note Interface Cassette for Note Recycler (Glory CI-10B) (Spare)
* 497-0423108	Instructions Kit (Reference Sheet)

Installation Procedure


To install a Note Interface Cassette (IFC) in the Note Recycler (Glory CI-10B) of an R6-G unit follow these steps:

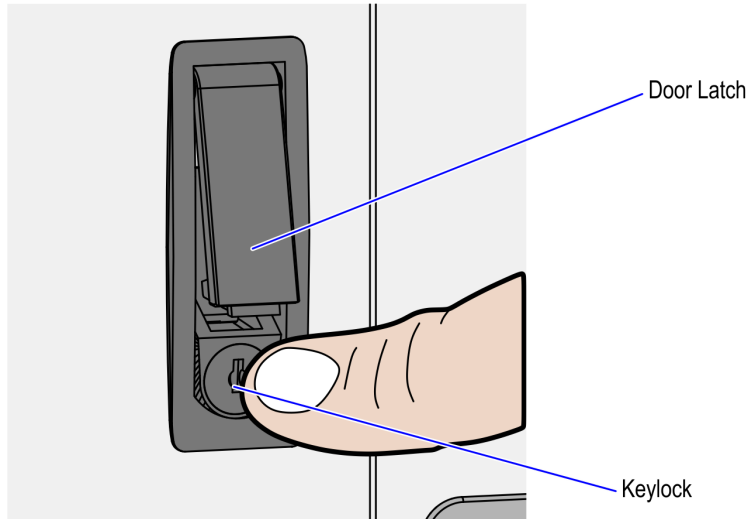
1. Open the Core Door by doing the following:
 - a. Insert key into lock on door latch and turn the key clockwise.



CCP-75509

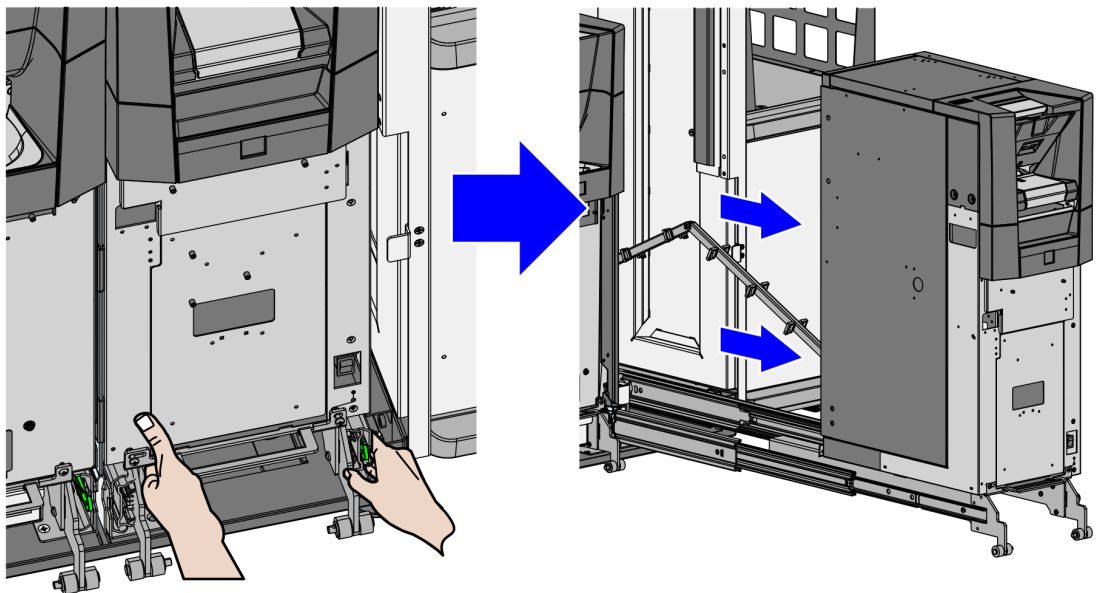
- b. Remove key and then press the keylock to unlatch the door.

 **Caution:** Hold the Core Door while the keylock is pressed because the door will automatically open.



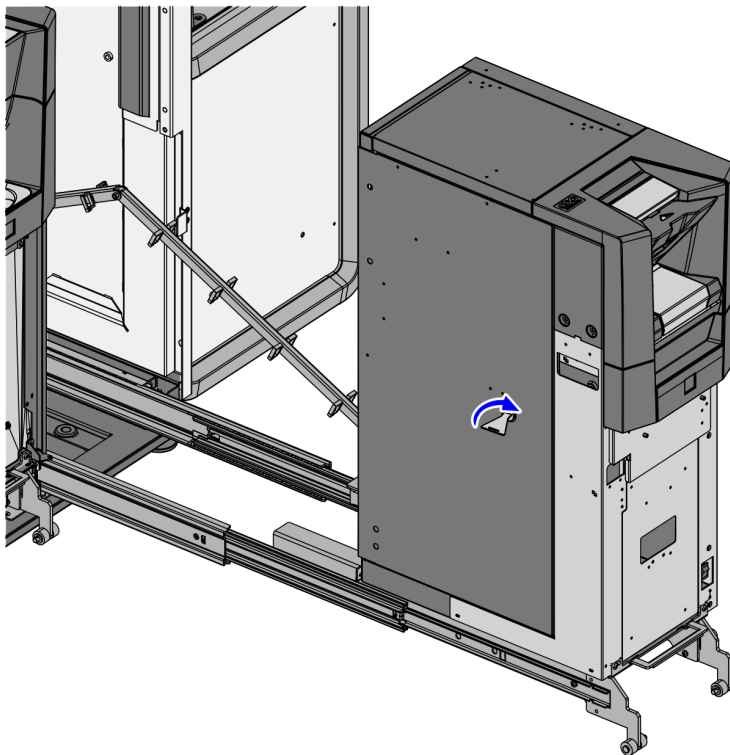
CCP-75510

- 2. Push the green latch to the right and then rack out Note Recycler (Glory CI-10B) from the Core Cabinet.



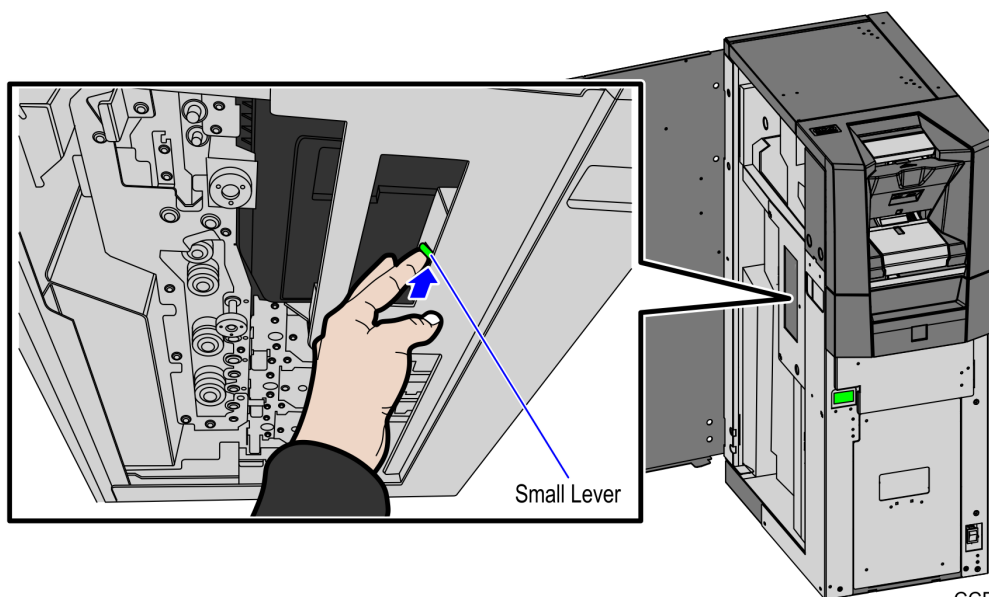
CCP-74552

3. Insert key into lock on the left side of the Note Recycler (Glory CI-10B) and turn the key clockwise to open the side cover as shown in the image below.



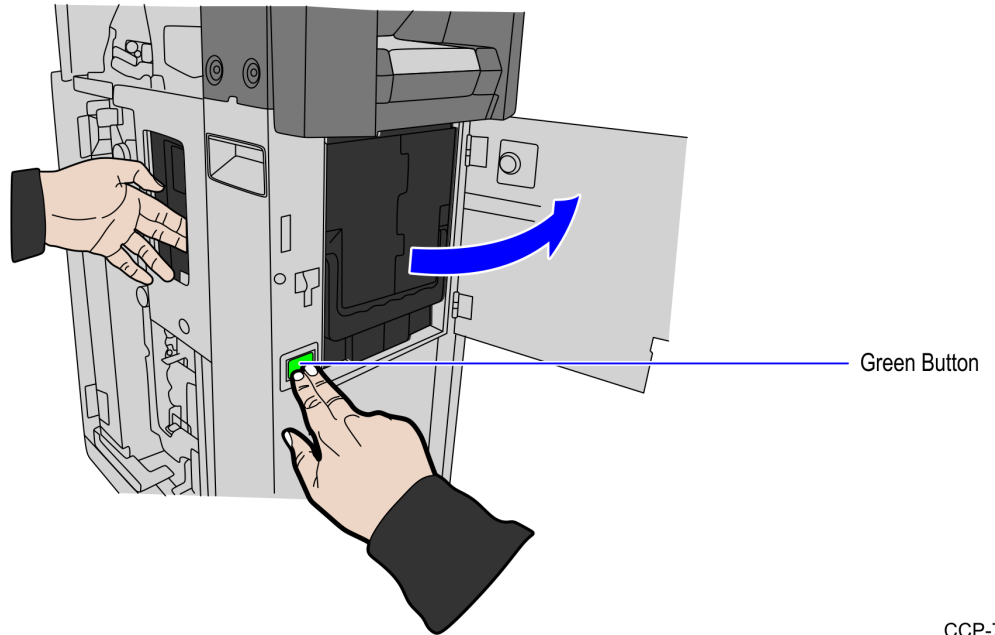
CCP-74553

4. Open the Note Cassette Door by doing the following:
 - a. Push and hold the small lever upward.



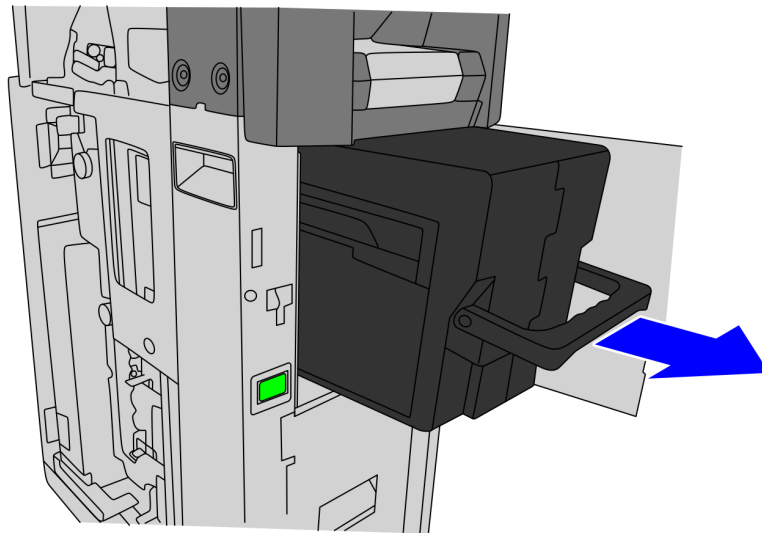
CCP-74554

- b. While holding the lever, push the green button on the front to open the Cassette Door.



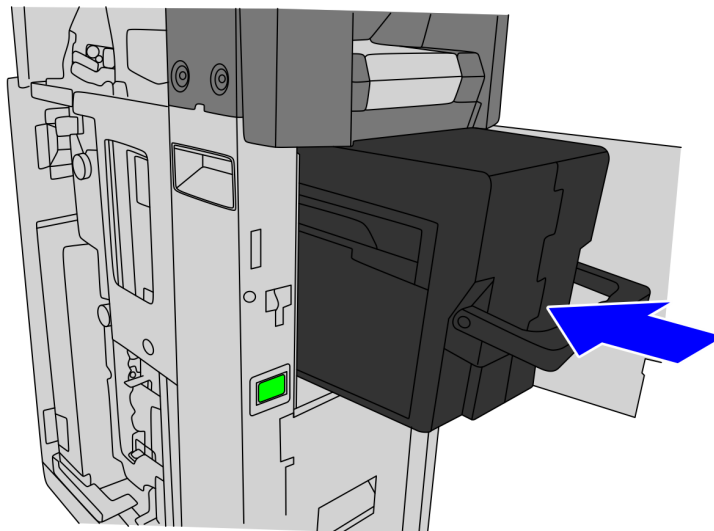
CCP-74549

- 5. Remove the existing Note Cassette (Cashbox) or Note Interface Cassette (IFC) from the Note Recycler (Glory CI-10B) by pulling the handle as shown in the image below.



CCP-74550

6. Insert the new Note Interface Cassette (IFC) by pushing it all the way in the Note Recycler (Glory CI-10B).



CCP-74551