

Kit Instructions

Note Cassette (Cashbox)



7364-K350
Issue B



The product described in this document is a licensed product of NCR Corporation.

NCR is a registered trademark of NCR Corporation. NCR FastLane SelfServ™ Checkout is a trademark of NCR Corporation in the United States and/or other countries. Other product names mentioned in this publication may be trademarks or registered trademarks of their respective companies and are hereby acknowledged.

Where creation of derivative works, modifications or copies of this NCR copyrighted documentation is permitted under the terms and conditions of an agreement you have with NCR, NCR's copyright notice must be included.

It is the policy of NCR Corporation (NCR) to improve products as new technology, components, software, and firmware become available. NCR, therefore, reserves the right to change specifications without prior notice.

All features, functions, and operations described herein may not be marketed by NCR in all parts of the world. In some instances, photographs are of equipment prototypes. Therefore, before using this document, consult with your NCR representative or NCR office for information that is applicable and current.

To maintain the quality of our publications, we need your comments on the accuracy, clarity, organization, and value of this book. Please use the link below to send your comments.

Email: FD230036@ncr.com

Copyright © 2018
By NCR Corporation
864 Spring St. NW
Atlanta, GA 30308
United States
All Rights Reserved

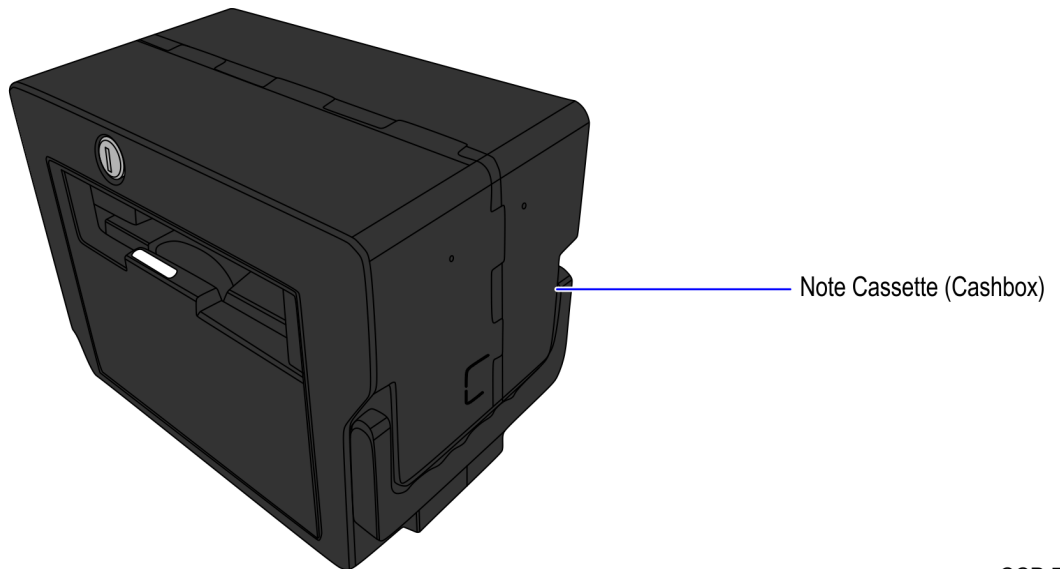
Revision Record

Issue	Date	Remarks
A	Nov 2018	First Issue
B	Dec 2018	Updated the Note Cassette (Cashbox) part number in the Kit Contents.

Note Cassette (Cashbox)

This publication provides procedures for replacing a Note Cassette (Cashbox) of the Note Recycler (Glory CI-10B) in an NCR FastLane SelfServ™ Checkout (7364) R6-G unit.

Kit Contents



CCP-74548

Part Number	Description
497-0523752	7364-K350 Note Cassette (Cashbox)
497-0524270	Note Cassette (Cashbox)
* 497-0423108	Kit Instructions (Reference Sheet)

* Items marked with an asterisk are not called out on the image.

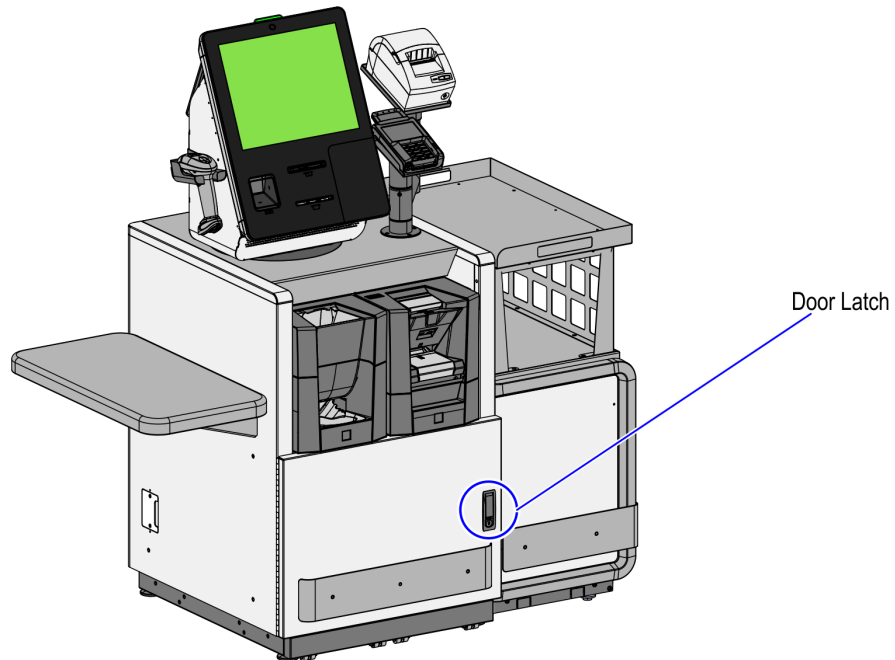
Installation Procedure

To install a Note Cassette (Cashbox) in the Note Recycler (Glory CI-10B) of an R6-G unit follow these steps:




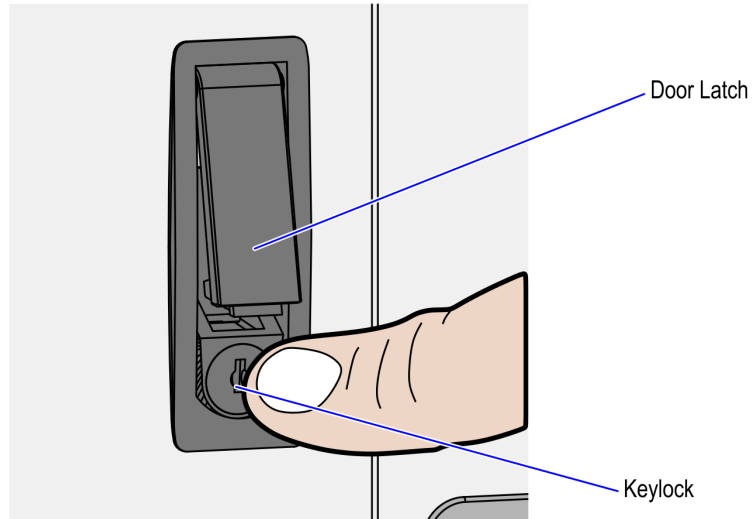
Note: The Note Cassette (Cashbox) is secured by a door, which can be opened either using a software or by manually unlocking it. This procedure provides instructions for manually unlocking the Note Cassette (Cashbox) Door.

1. Open the Core Door by doing the following:
 - a. Insert key into lock on door latch and turn the key clockwise.



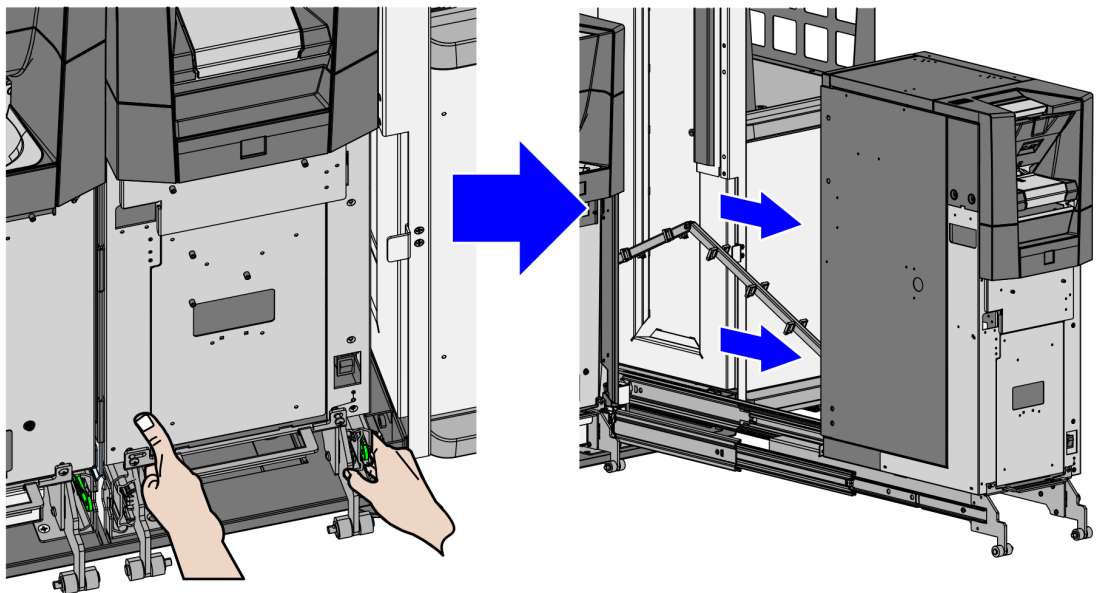
- b. Remove key and then press the keylock to unlatch the door.

 **Caution:** Hold the Core Door down while keylock is pressed because the door will automatically open.



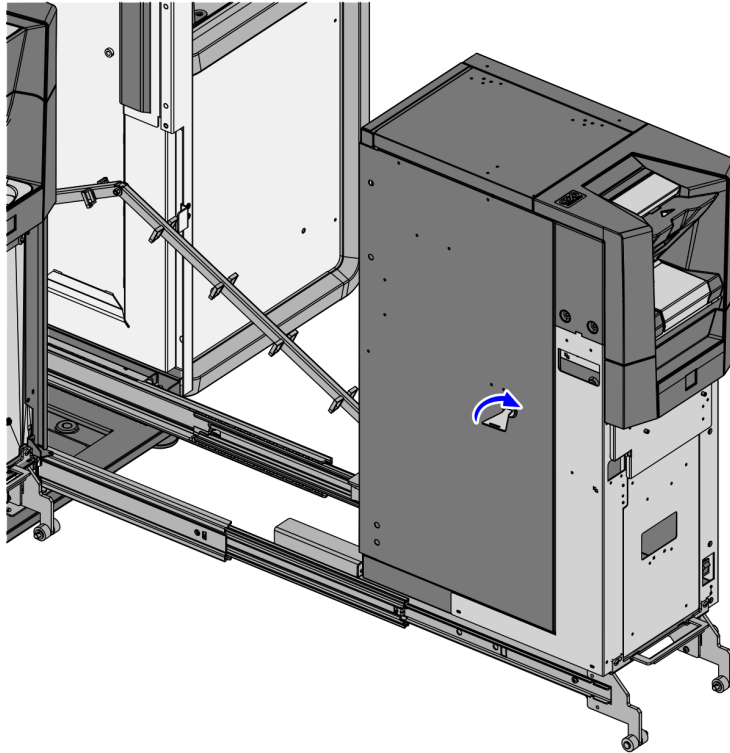
CCP-75510

2. Push the green latch to the right and then rack out Note Recycler (Glory CI-10B) from the Core Cabinet.



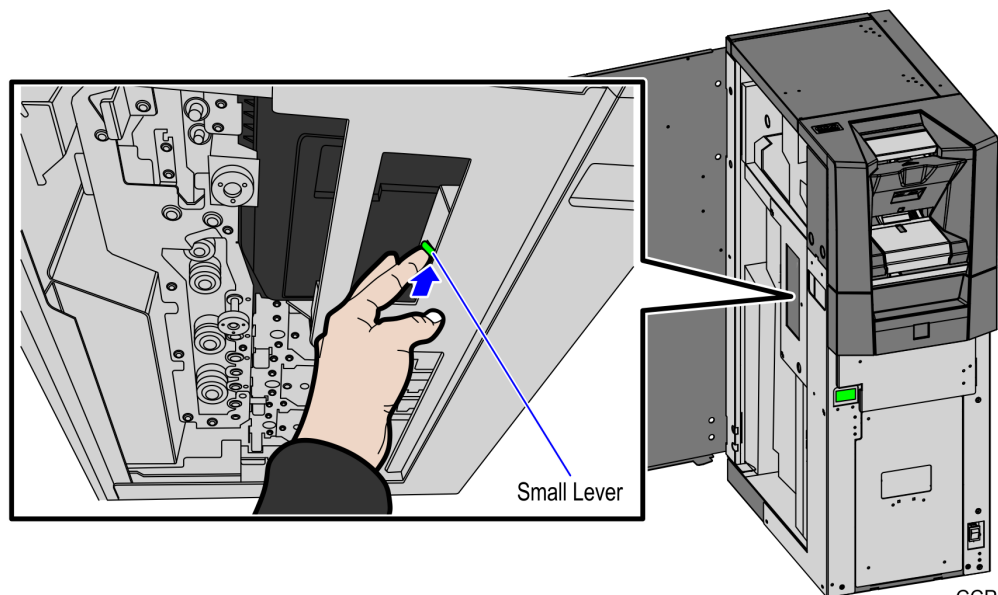
CCP-74552

3. Insert key into lock on the left side of the Note Recycler (Glory CI-10B) and turn the key clockwise to open the side cover as shown in the image below.



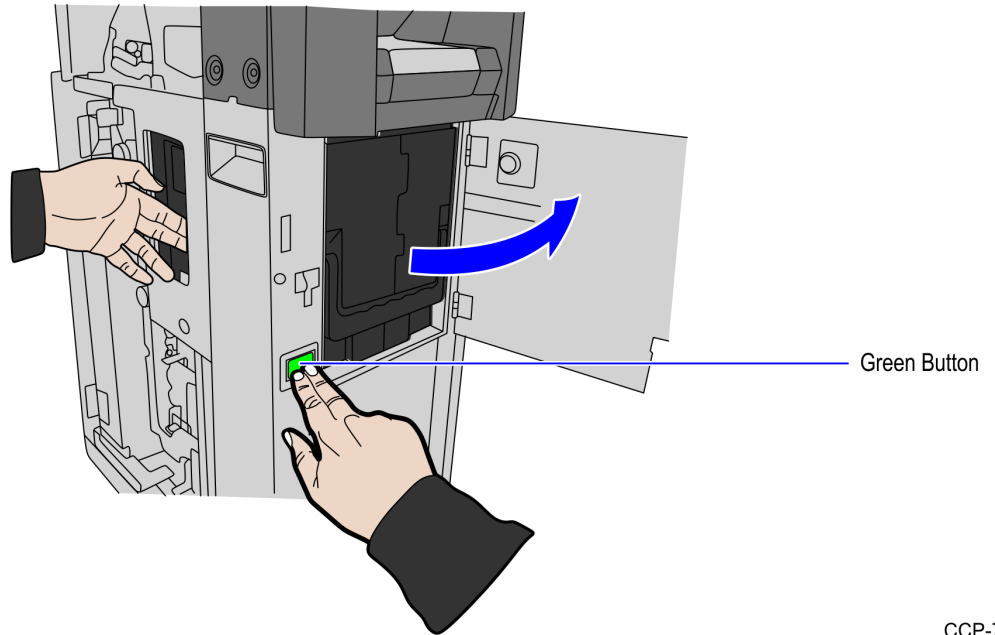
CCP-74553

4. Open the Note Cassette (Cashbox) Door by doing the following:
 - a. Push and hold the small lever upward.



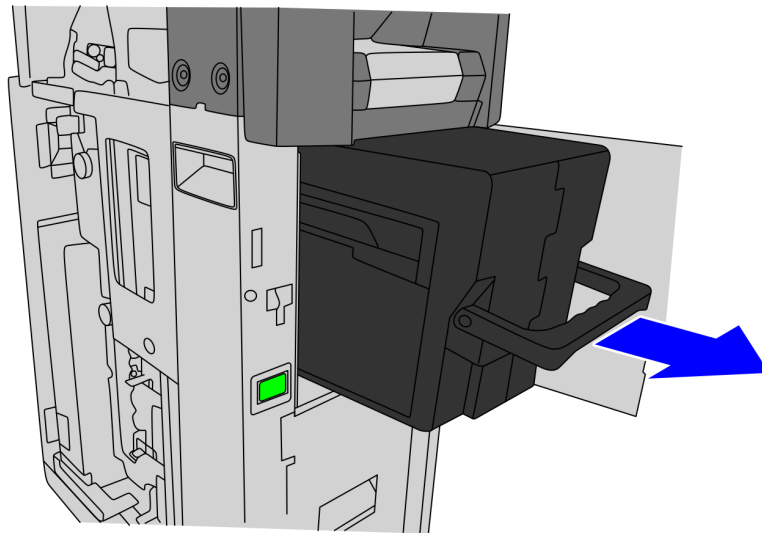
CCP-74554

- b. While holding the lever, push the green button on the front to open the Note Cassette (Cashbox) Door.



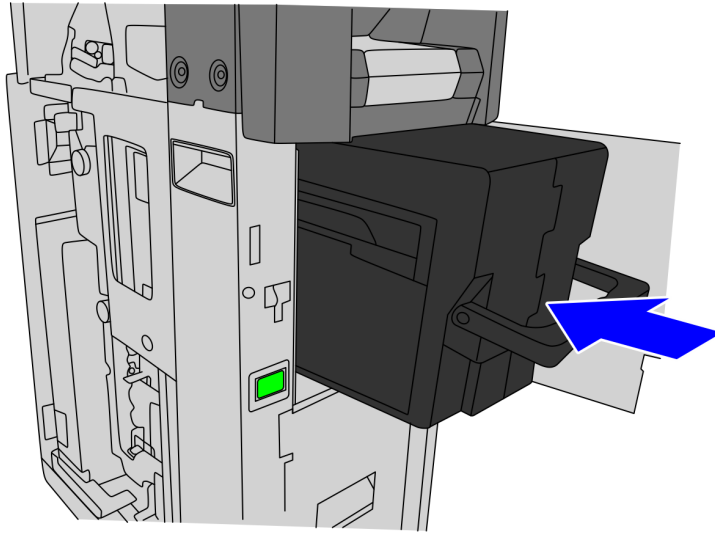
CCP-74549

- 5. Remove the existing Note Cassette (Cashbox) from the Note Recycler (Glory CI-10B) by pulling the handle as shown in the image below.



CCP-74550

6. Insert the new Note Cassette (Cashbox) by pushing it all the way in the Note Recycler (Glory CI-10B).



CCP-74551